



US00D900534S

(12) **United States Design Patent**
Ye

(10) **Patent No.:** **US D900,534 S**
(45) **Date of Patent:** **** Nov. 3, 2020**

(54) **FOOD PROCESSOR**

(71) Applicants: **Xiushan Ye**, Guangzhou (CN);
Guangzhou Shengwei Electric Manufacturing Co., Ltd., Guangzhou (CN)

(72) Inventor: **Xiushan Ye**, Guangzhou (CN)

(73) Assignees: **Xiushan Ye**, Guangzhou (CN);
GUANGZHOU SHENGWEI ELECTRIC MANUFACTURING CO., LTD., Guangzhou (CN)

(**) Term: **15 Years**

(21) Appl. No.: **29/745,254**

(22) Filed: **Aug. 5, 2020**

(51) **LOC (12) Cl.** **31-00**

(52) **U.S. Cl.**
USPC **D7/384; D7/376; D7/378; D7/386**

(58) **Field of Classification Search**
USPC **D7/358, 360, 372, 376-386, 412-413, D7/602, 629, 665-666, 669, 679, D7/693-694**

CPC **A21C 1/02; A21C 1/04; A23N 1/00; A23N 1/02; A47J 27/004; A47J 37/0629; A47J 43/04; A47J 43/25; A47J 43/27; A47J 43/042; A47J 43/044; A47J 43/046; A47J 43/075; A47J 43/0722; A47J 43/0727; B01F 3/00; B01F 3/0807; B01F 3/0853; B01F 13/0059; B01F 13/0064; B02C 1/08; B02C 2/04; B02C 4/42; B02C 4/142; B02C 4/143; B02C 4/423; B02C 13/1835; B28C 5/10; B28C 5/12; B28C 5/14; B28C 5/16**

See application file for complete search history.

(56) **References Cited**

U.S. PATENT DOCUMENTS

3,176,968 A * 4/1965 Appleton A47J 43/046
366/146
D419,367 S 1/2000 Kin

6,289,793 B1 * 9/2001 Hu A47J 27/004
366/145
D526,531 S 8/2006 Drees et al.
D707,079 S 6/2014 Blaise
D745,316 S * 12/2015 Usmar D7/378
D747,917 S * 1/2016 Kemker D7/384
D761,613 S * 7/2016 Moon D7/360
D761,615 S * 7/2016 Dickson, Jr. D7/376
D846,341 S 4/2019 Smith
D847,558 S * 5/2019 Hoff D7/384
D853,782 S 7/2019 Conti et al.
D878,143 S * 3/2020 Ding D7/358

(Continued)

Primary Examiner — Ricky Pham

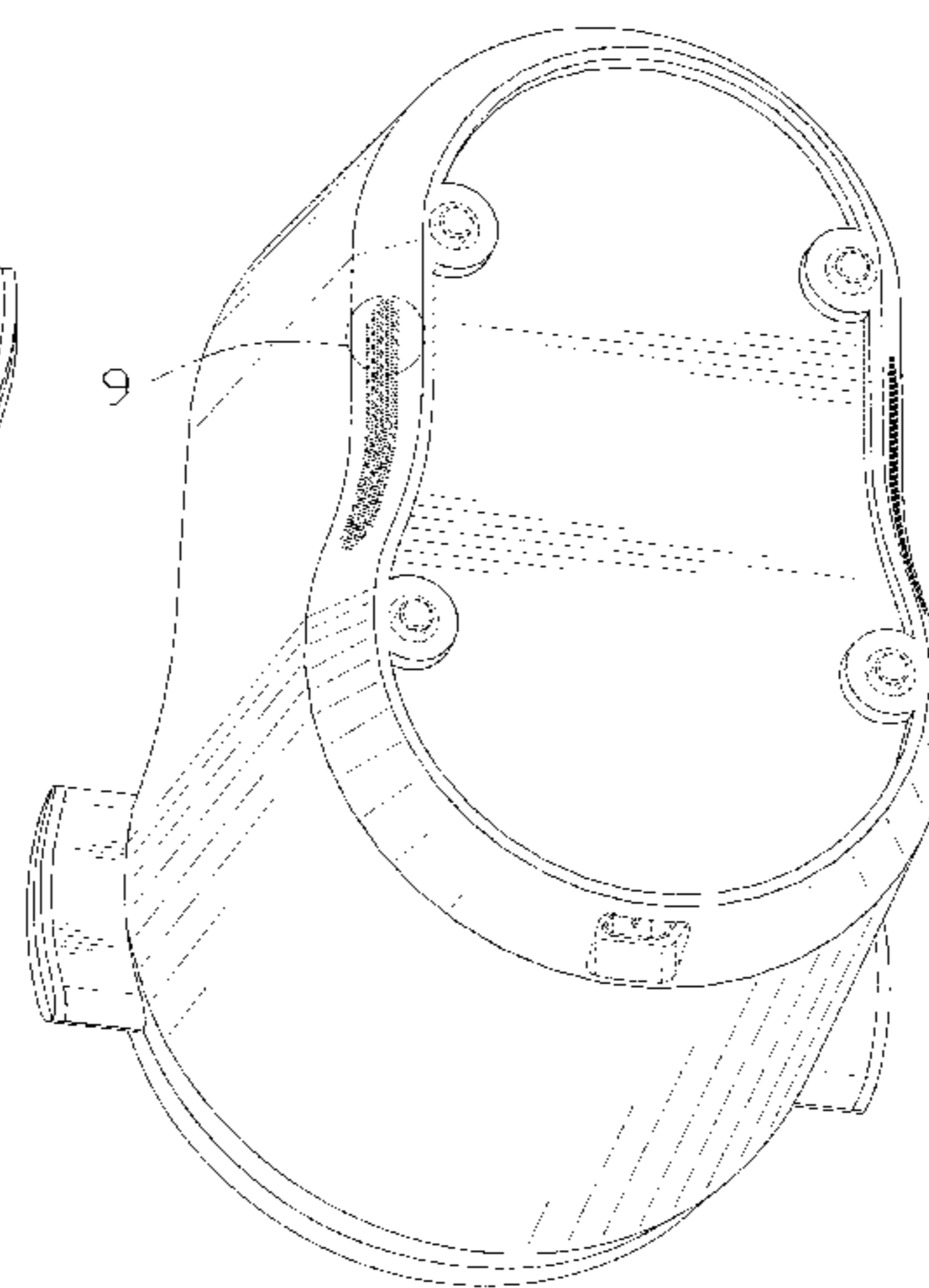
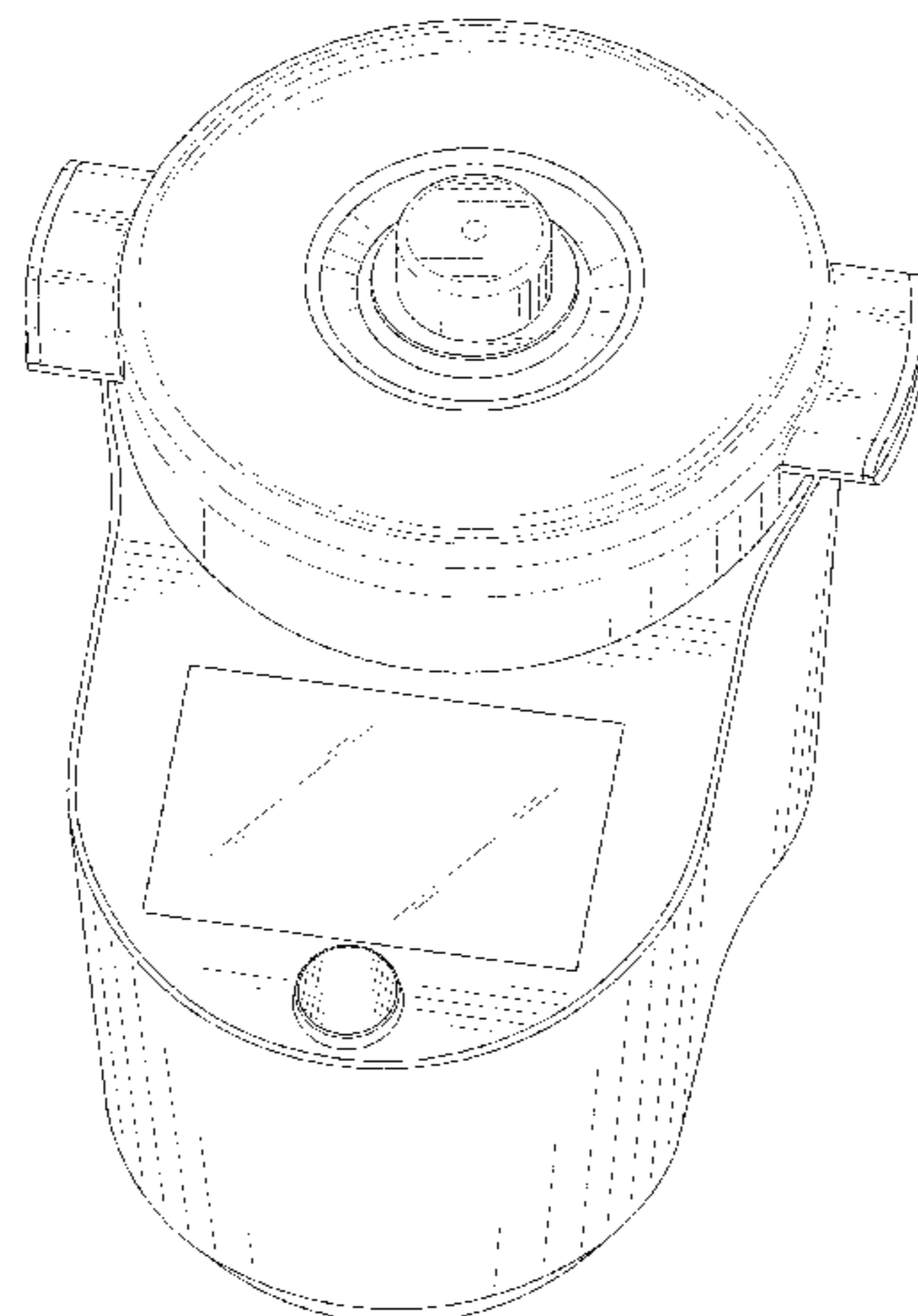
(57) **CLAIM**

The ornamental design for a food processor, as shown and described.

DESCRIPTION

FIG. 1 is a perspective view of a food processor according to an embodiment;
FIG. 2 is another perspective view thereof;
FIG. 3 is a front elevational view thereof;
FIG. 4 is a rear elevational view thereof;
FIG. 5 is a left side elevational view thereof;
FIG. 6 is a right side elevational view thereof;
FIG. 7 is a top plan view thereof;
FIG. 8 is a bottom plan view thereof; and,
FIG. 9 is an enlarged view of part 9 as shown in FIG. 2.
The broken lines consisting of evenly spaced dash lines in the drawings depict portions of the food processor that form no part of the claimed design.
The long dash-short dash broken lines in the drawings depict the boundaries of the enlarged view and form no part of the claimed design.
The diagonal shaded lines in the figures show a display surface.

1 Claim, 9 Drawing Sheets



(56)

References Cited

U.S. PATENT DOCUMENTS

D896,022 S * 9/2020 Ye D7/384
D896,023 S * 9/2020 Ye D7/384
2002/0027175 A1* 3/2002 Capp A47J 43/046
241/199.12
2006/0263501 A1* 11/2006 Oghafua A47J 43/046
426/523
2018/0333004 A1* 11/2018 De' Longhi A47J 37/0629

* cited by examiner

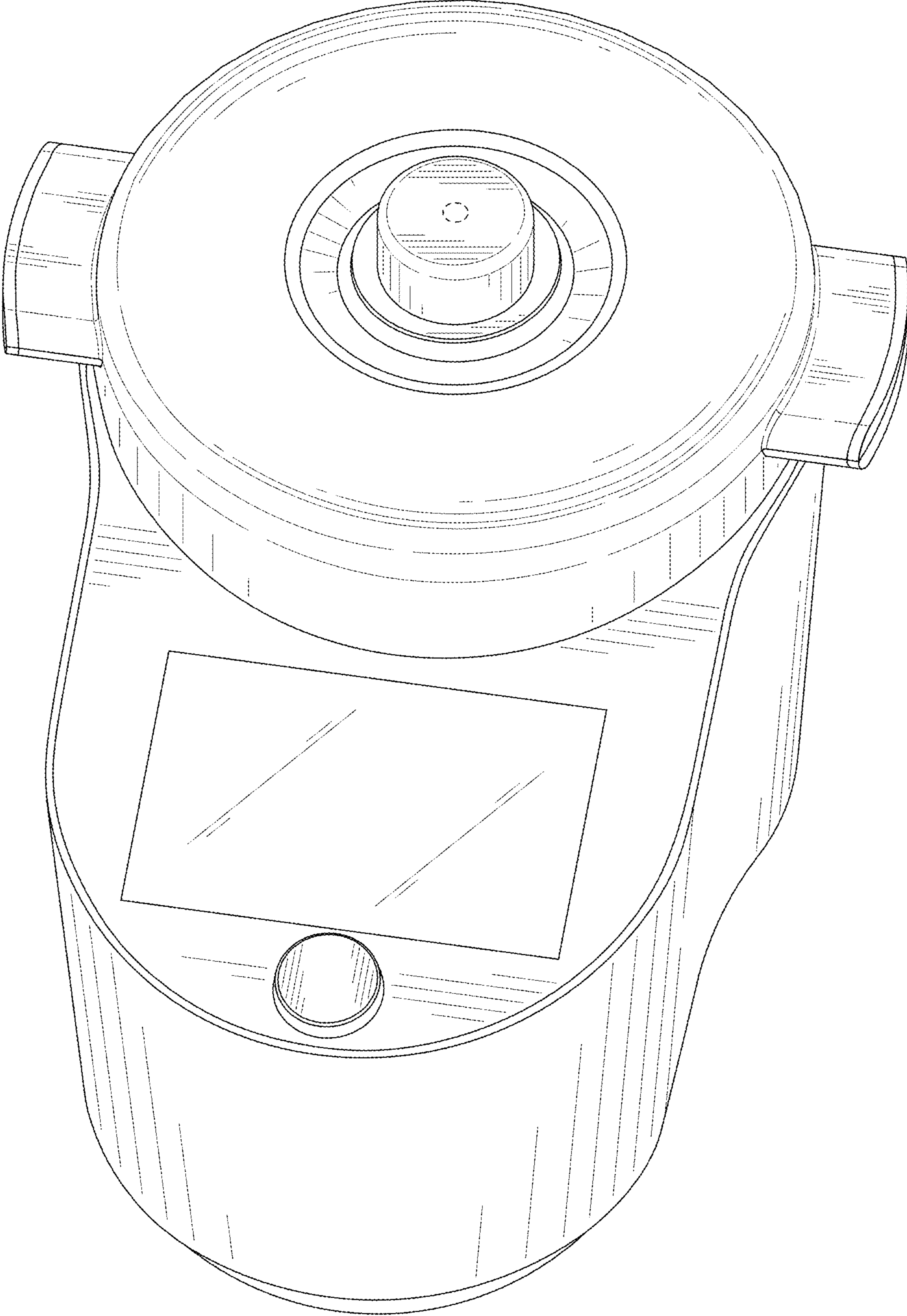


FIG. 1

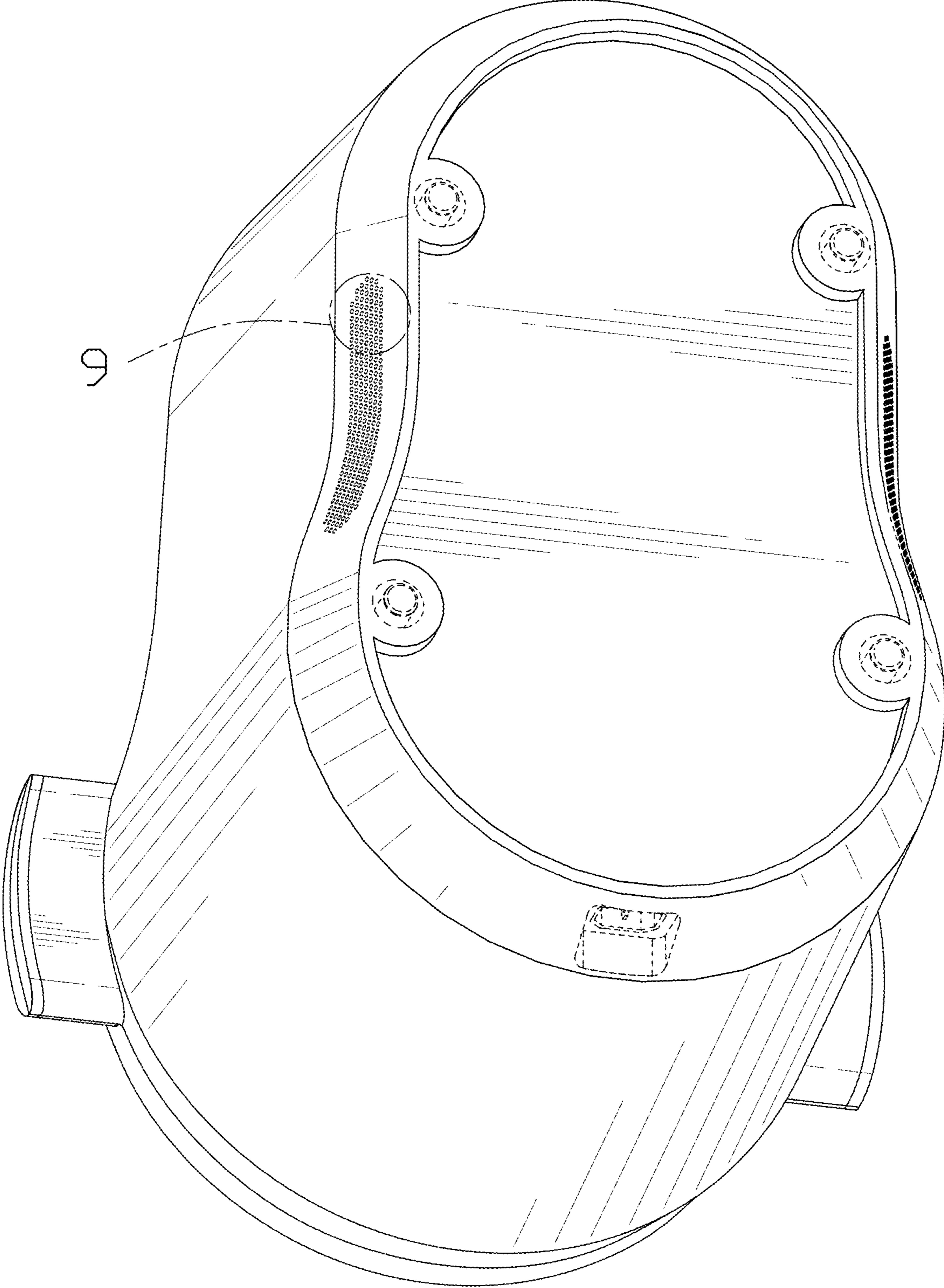


FIG. 2

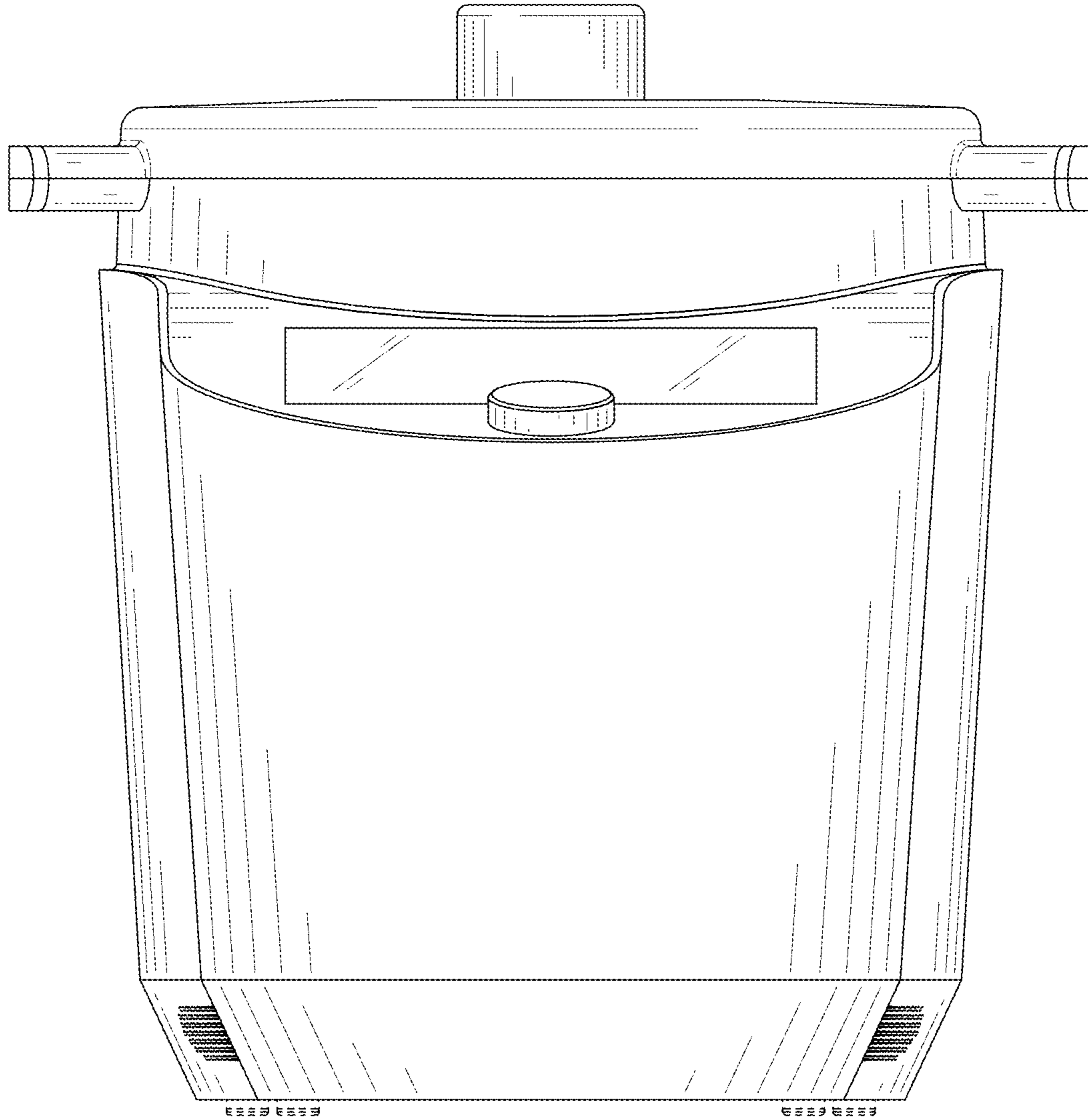


FIG. 3

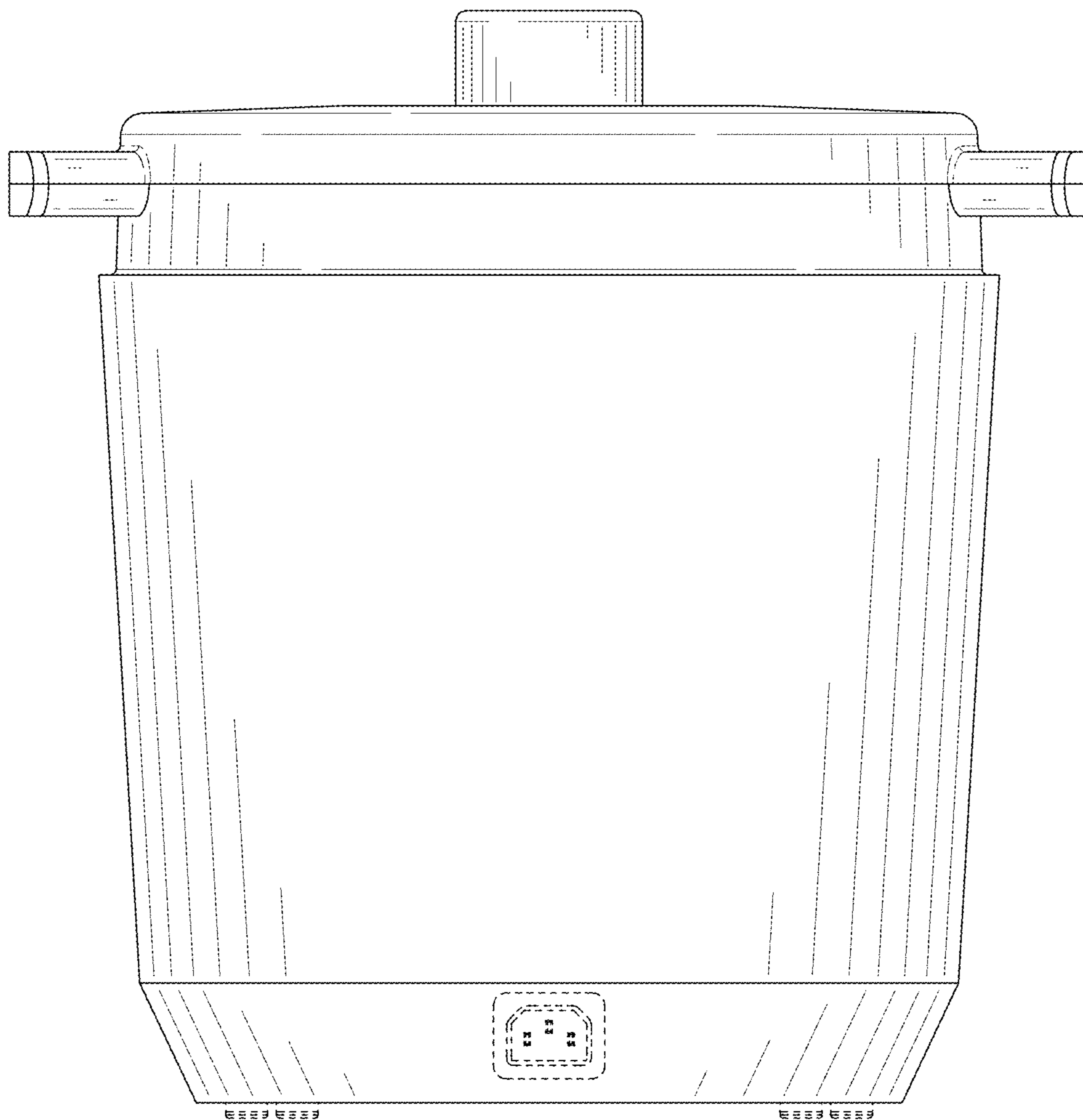


FIG. 4

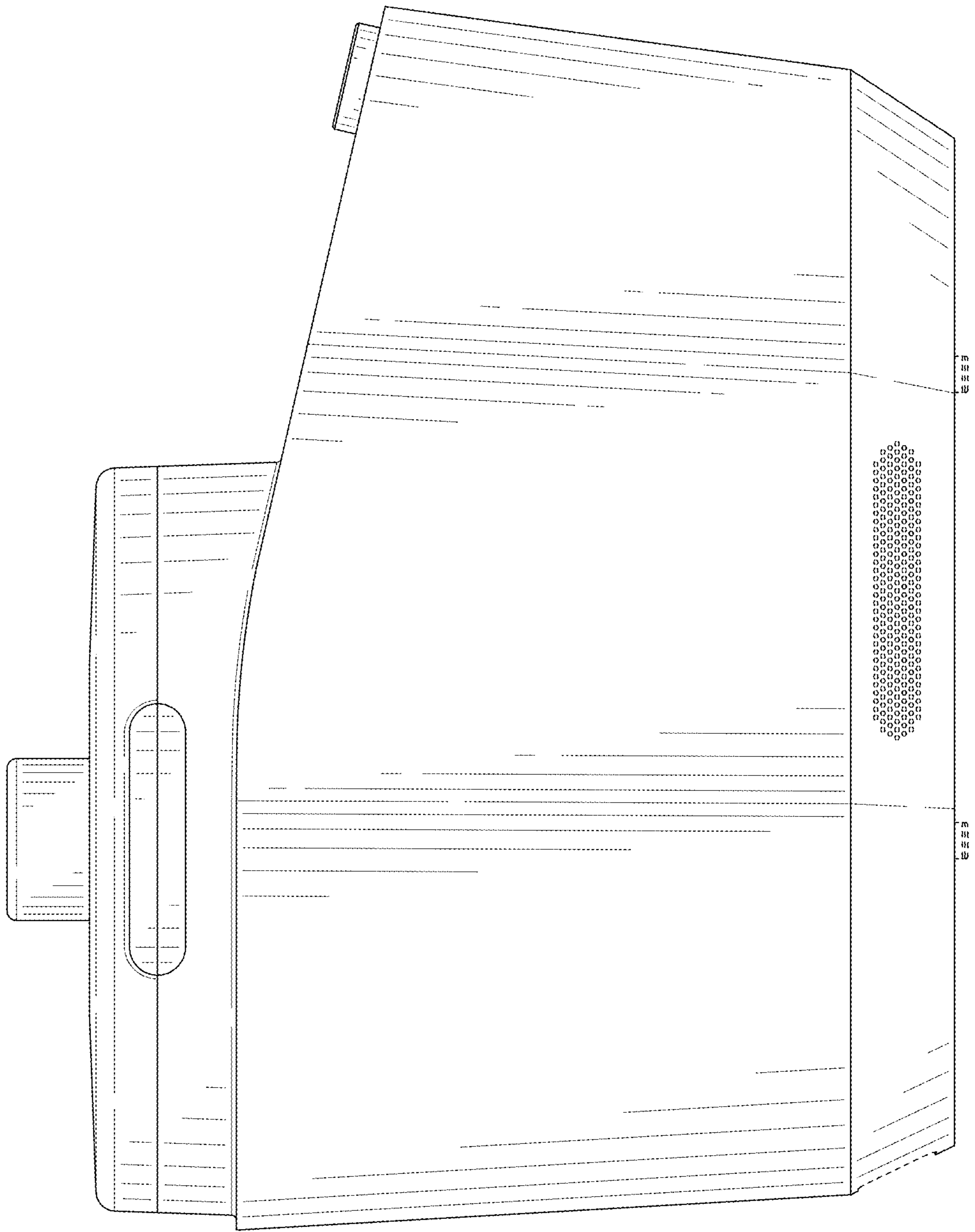


FIG. 5

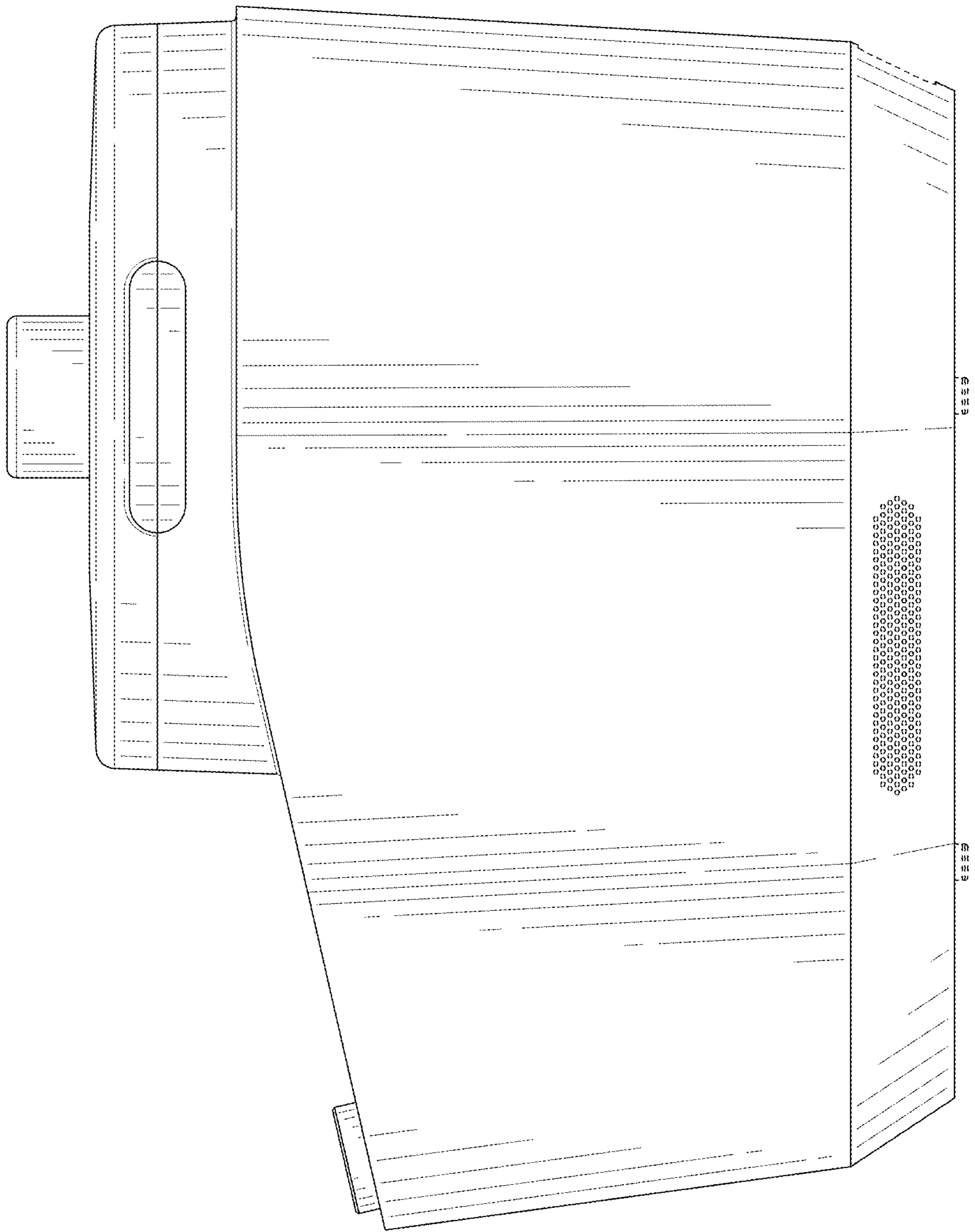


FIG. 6

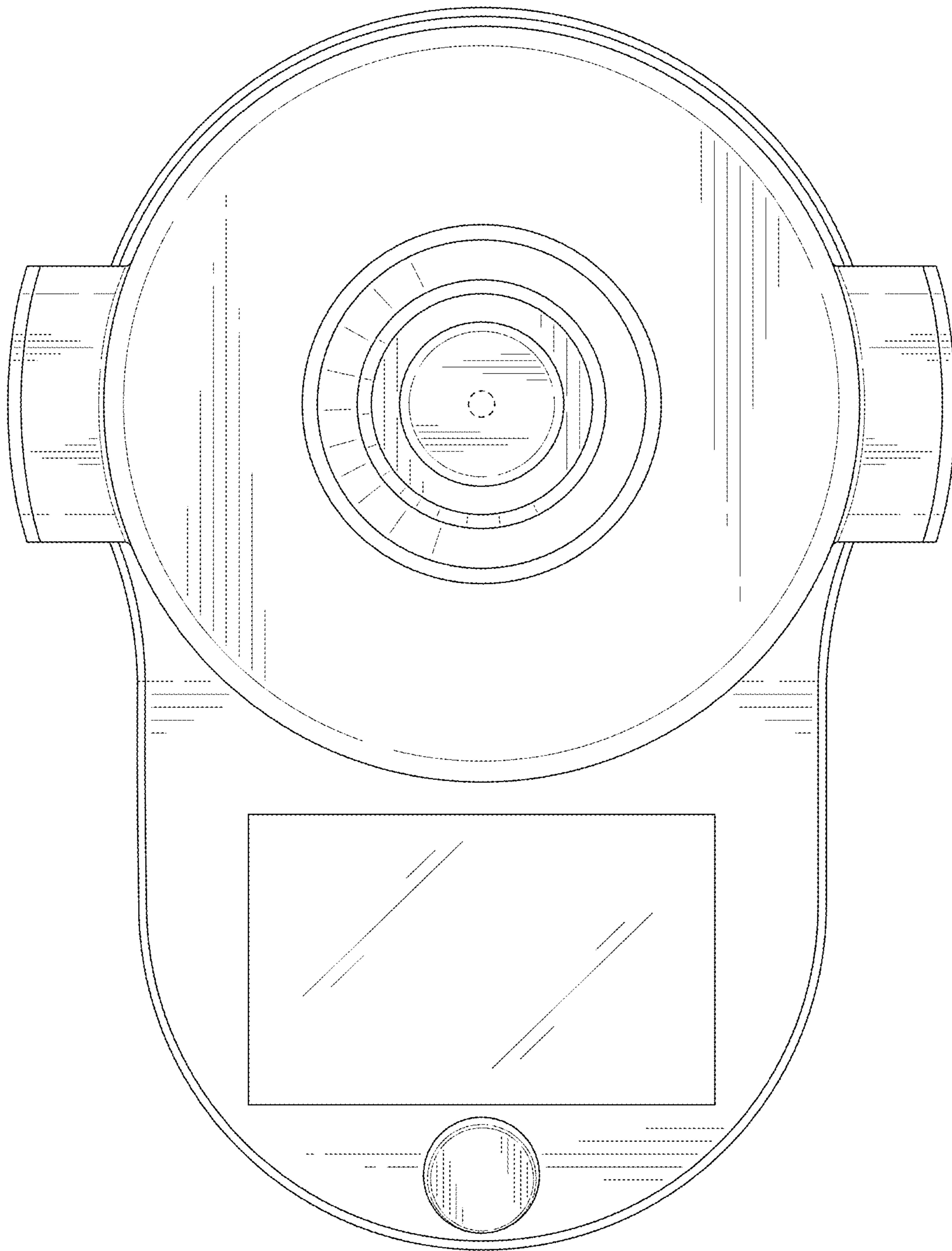


FIG. 7

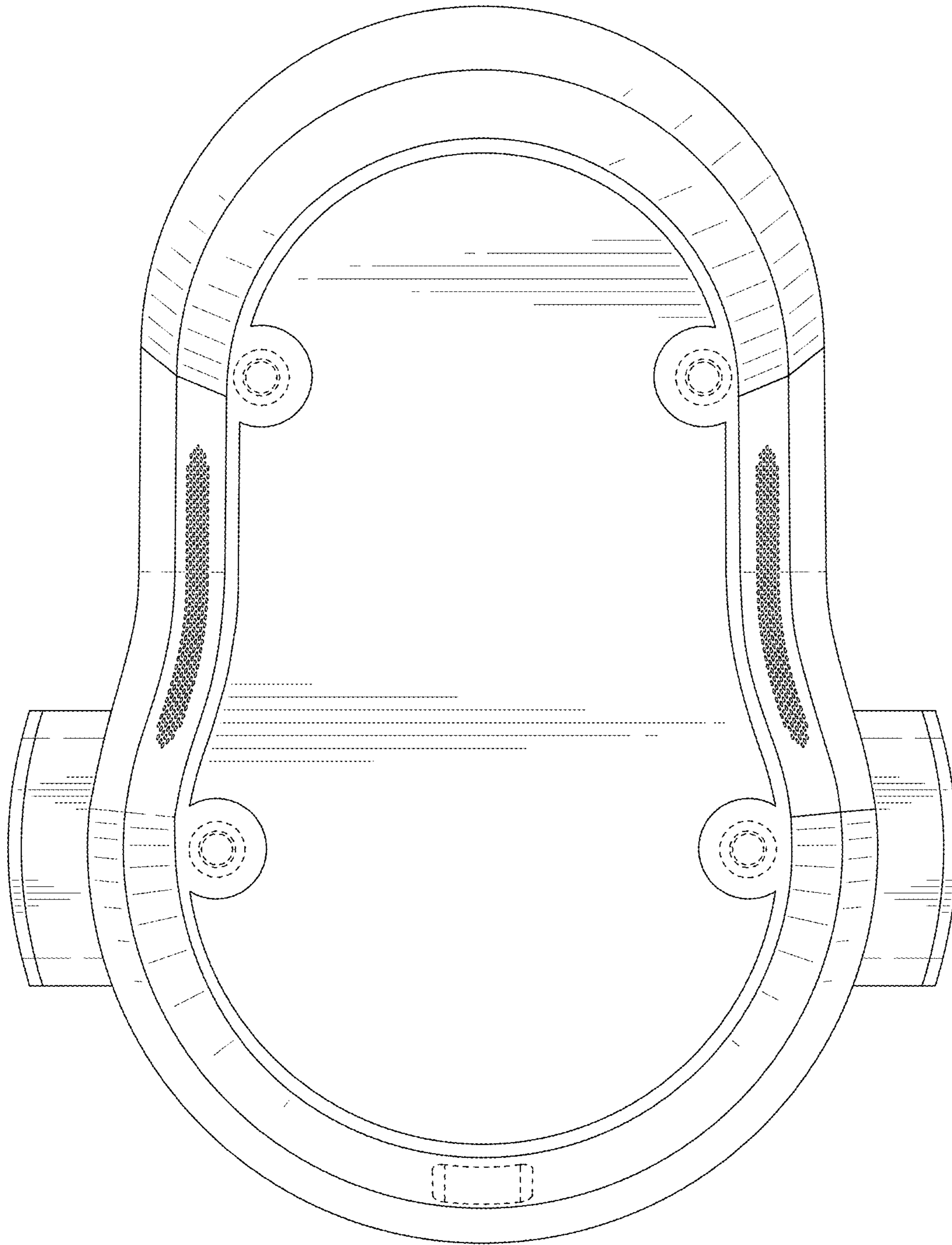


FIG. 8

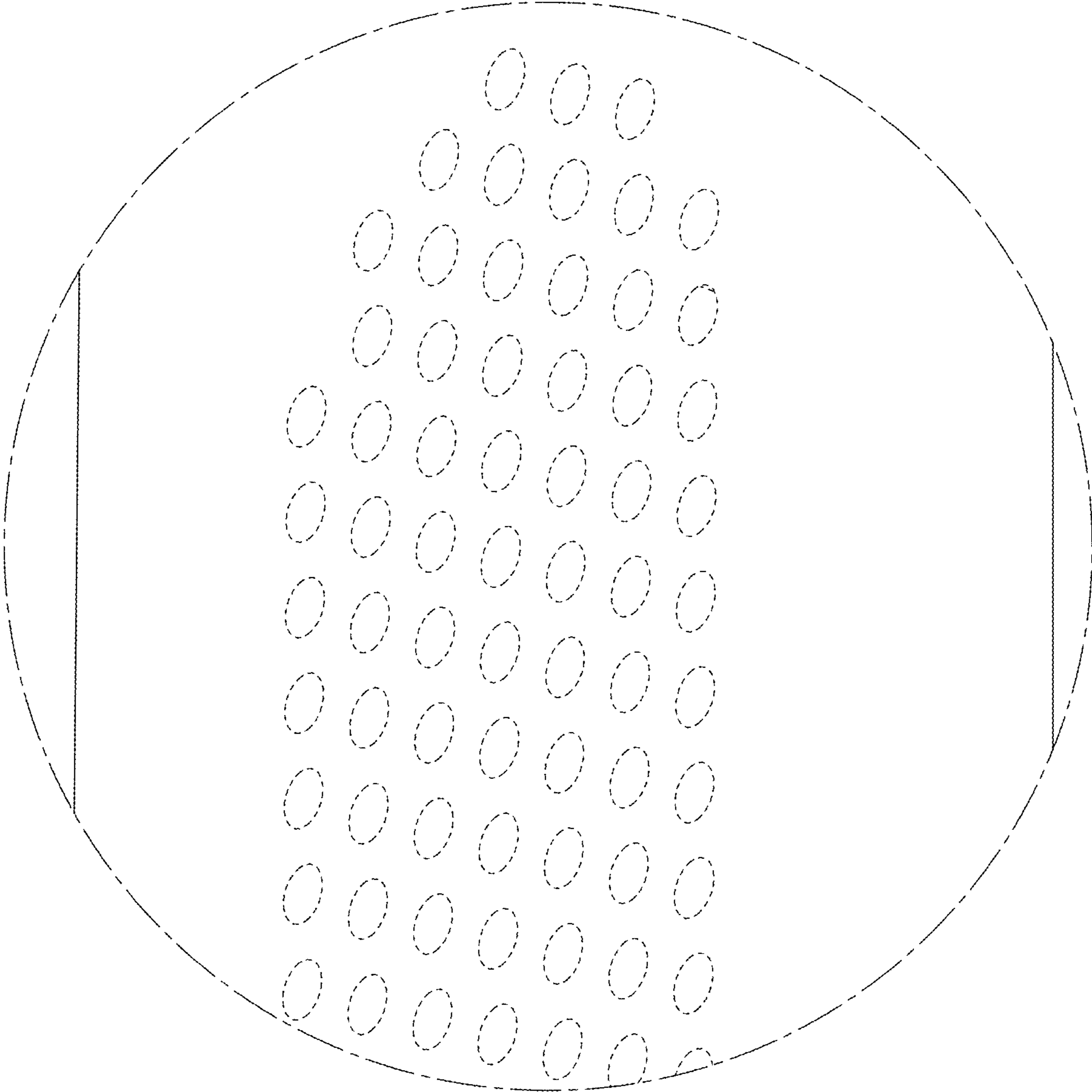


FIG. 9