



US00D900533S

(12) **United States Design Patent** (10) **Patent No.:** **US D900,533 S**
Chen (45) **Date of Patent:** **** Nov. 3, 2020**

(54) **FOOD PROCESSOR**

A23N 1/02; A23N 7/002; A23N 7/026;
B02C 18/00; A24B 7/00

(71) Applicant: **Cuihong Chen**, Taizhou (CN)

See application file for complete search history.

(72) Inventor: **Cuihong Chen**, Taizhou (CN)

(56) **References Cited**

(**) Term: **15 Years**

U.S. PATENT DOCUMENTS

(21) Appl. No.: **29/695,251**

4,588,136 A * 5/1986 Homma A47J 43/255
241/95

(22) Filed: **Jun. 18, 2019**

D427,011 S * 6/2000 Yip D7/384
7,669,793 B2 * 3/2010 So A47J 43/082
241/169.1

(51) **LOC (12) Cl.** **07-04**

D838,147 S * 1/2019 Kim D7/693

(52) **U.S. Cl.**

* cited by examiner

USPC **D7/384**; D7/693

(58) **Field of Classification Search**

Primary Examiner — Terry A Wallace

USPC D7/693, 669, 673, 679, 678, 381, 372,
D7/373, 412, 383, 384

(57) **CLAIM**

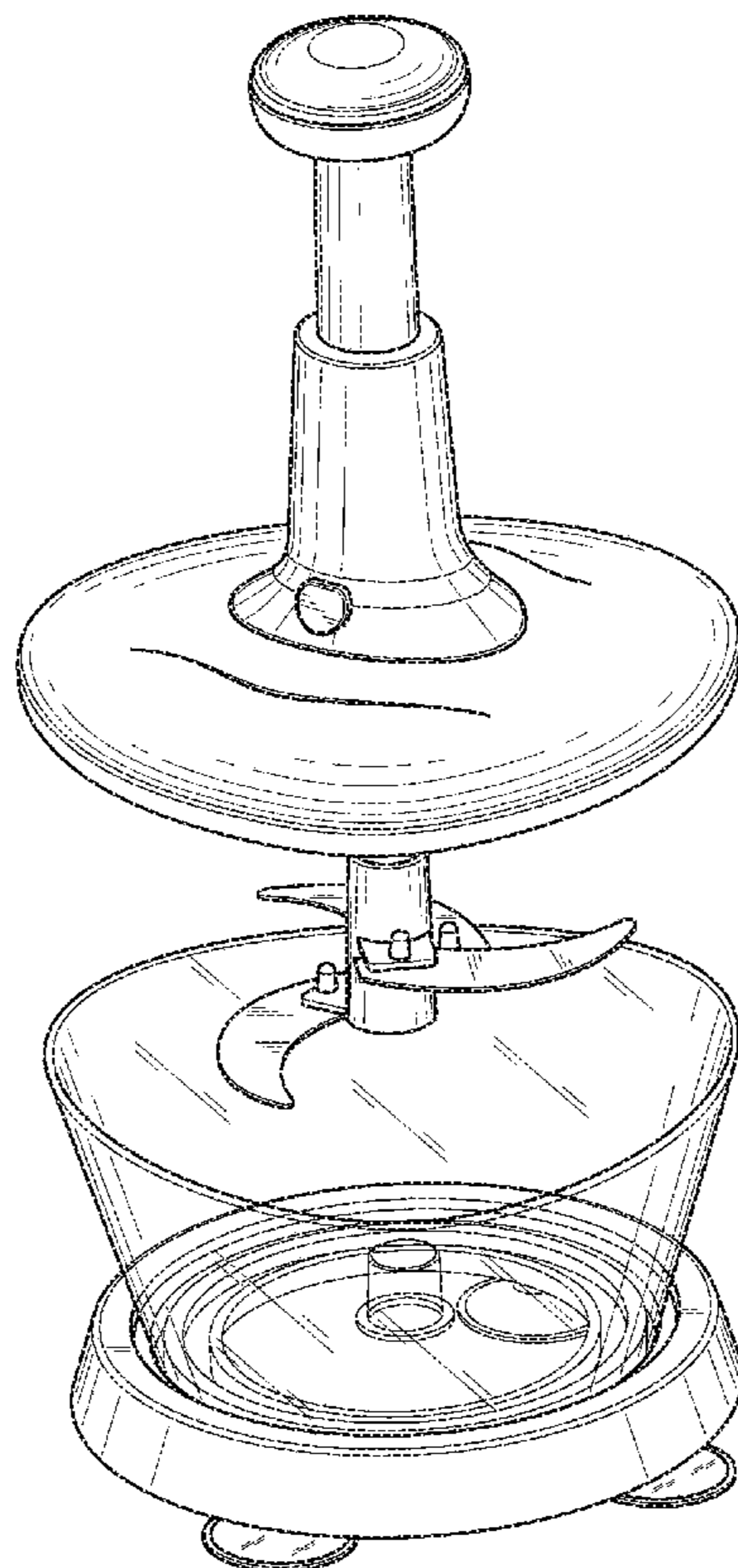
CPC B26D 2003/287; B26D 2003/288; B26D
3/18; B26D 3/185; B26D 3/26; B26D
3/20; B26D 3/22; B26D 3/04; B26D
3/283; B26D 3/11; B26D 7/0666; B26D
7/0641; B26D 1/02; A47J 43/1025; A47J
43/1068; A47J 43/044; A47J 43/0705;
A47J 43/082; A47J 43/00; A47J 43/07;
A47J 43/04; A47J 43/0722; A47J 43/26;
A47J 43/06; A47J 43/1018; A47J 43/255;
A47J 42/14; A47J 42/04; A47J 42/00;
A47J 42/24; A47J 42/34; A47J 42/02;
A47J 42/08; A47J 42/12; A47J 42/22;
A47J 19/04; A47J 17/00; A47J 17/02;
A47J 17/16; A47J 19/00; B26B 5/00;

The ornamental design for a food processor, as shown and described.

DESCRIPTION

FIG. 1 is a perspective view of a food processor showing my new design;
FIG. 2 is a front view thereof;
FIG. 3 is a rear view thereof;
FIG. 4 is a left view thereof;
FIG. 5 is a right view thereof;
FIG. 6 is a top view thereof;
FIG. 7 is a bottom view thereof; and,
FIG. 8 is an exploded top, perspective view thereof.

1 Claim, 8 Drawing Sheets



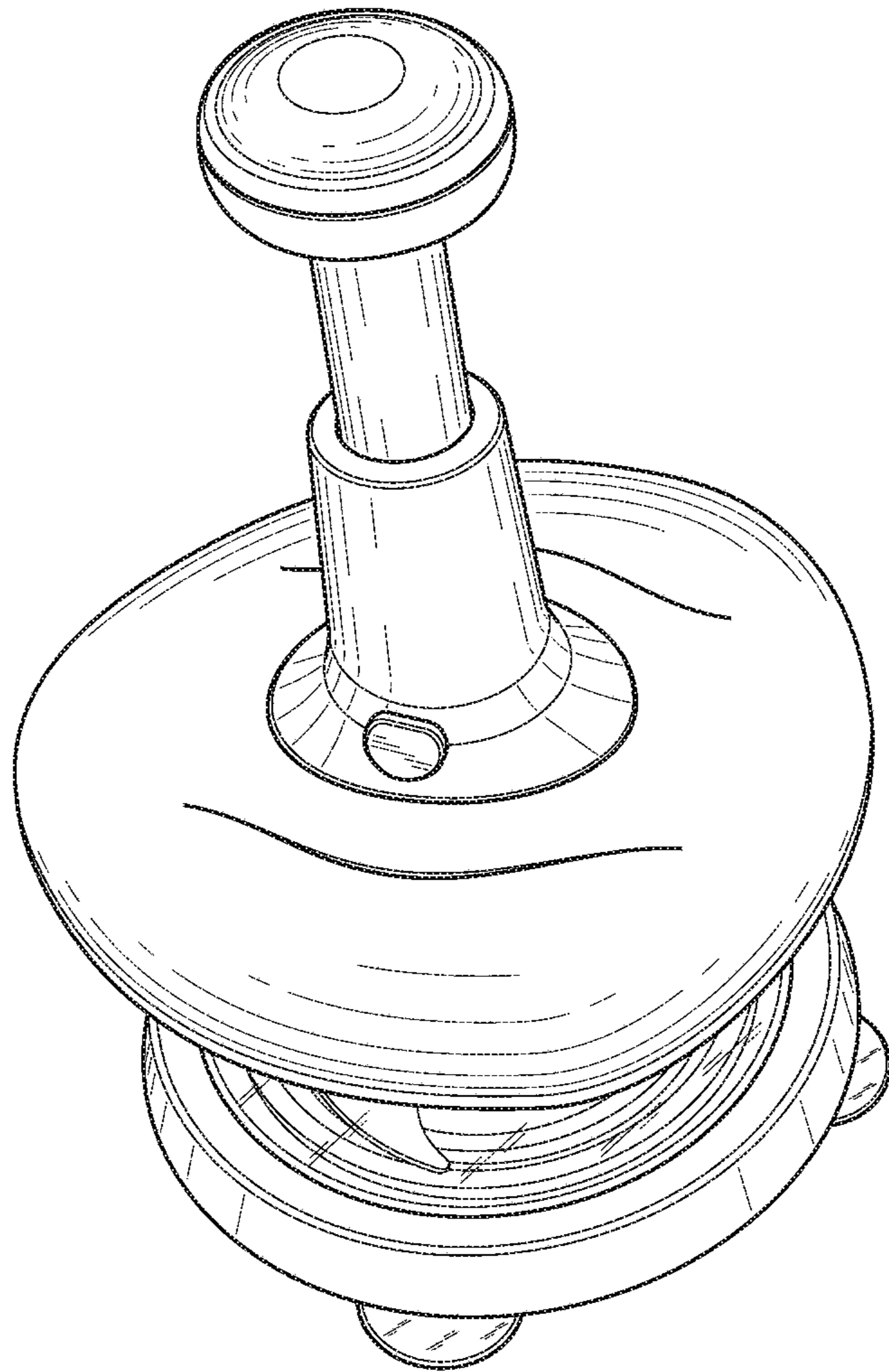


Fig. 1

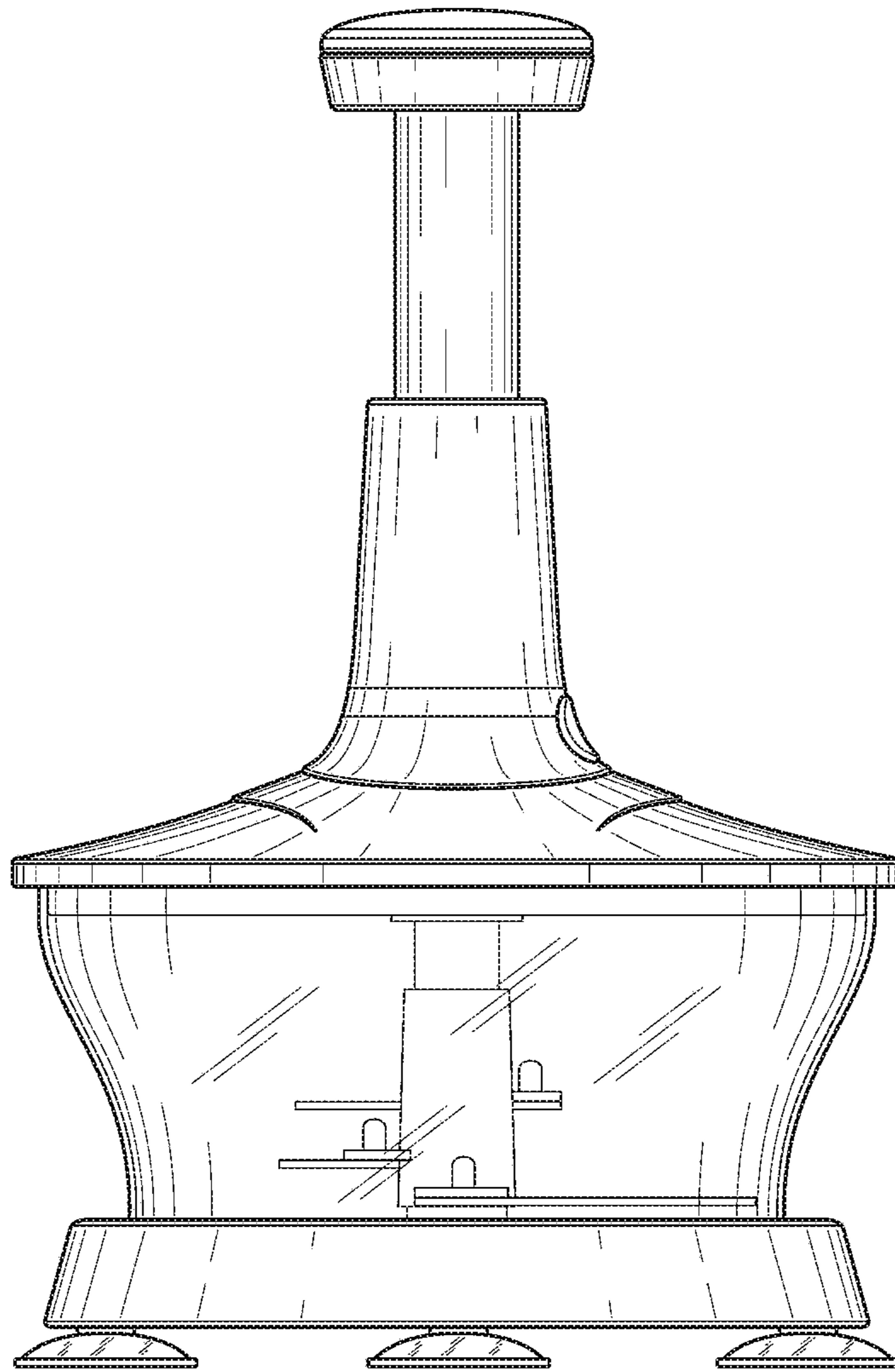


Fig. 2

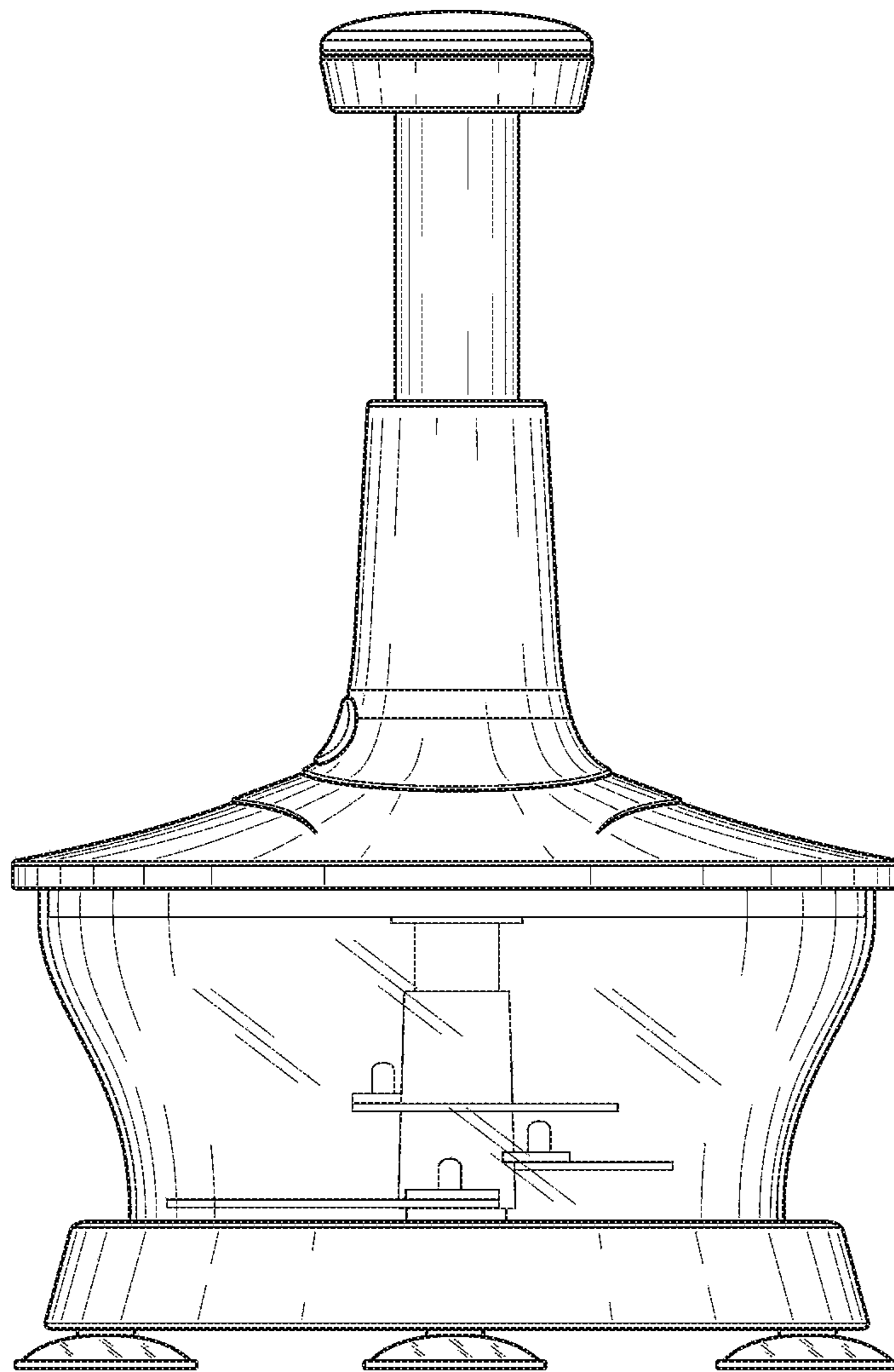


Fig. 3

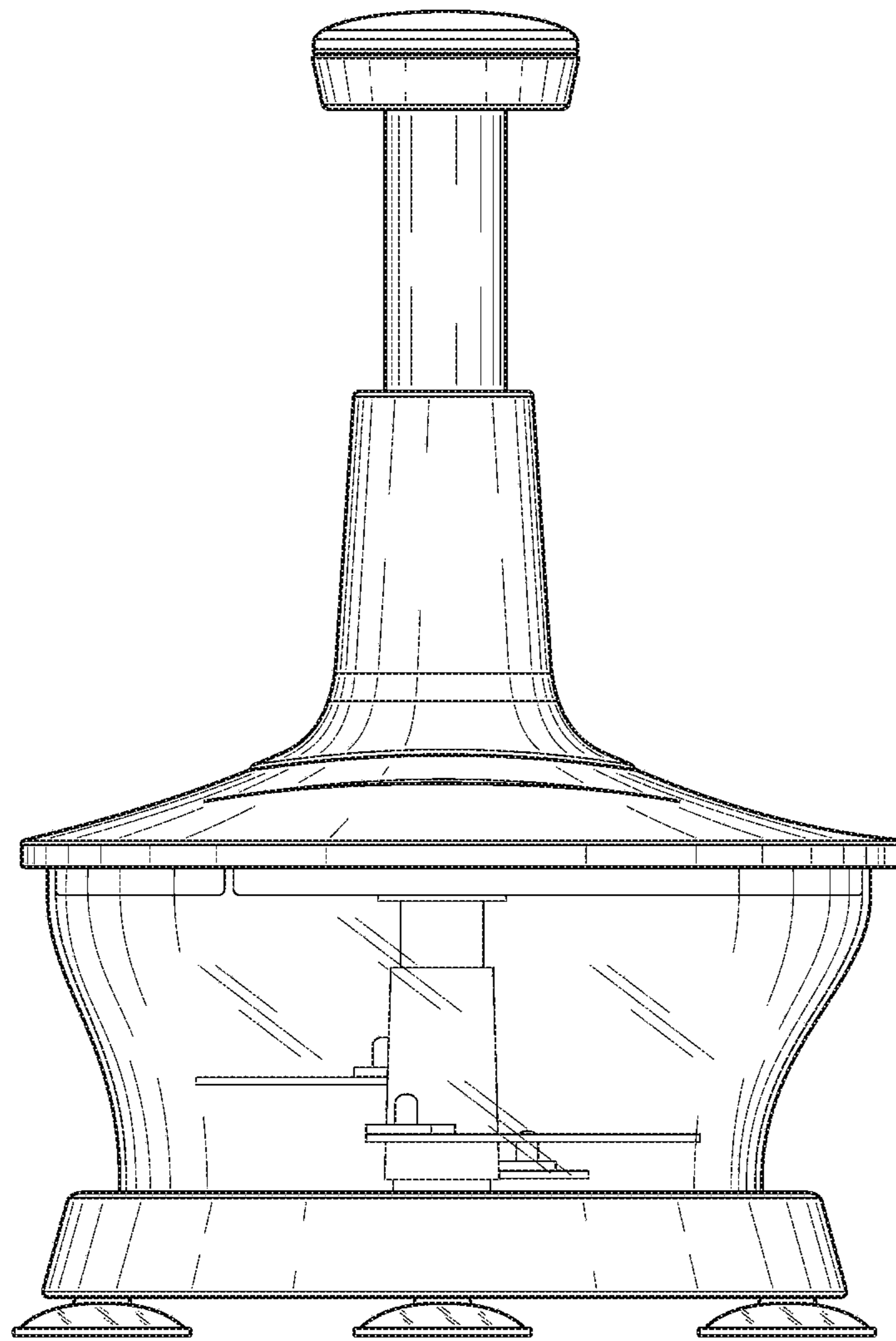


Fig. 4

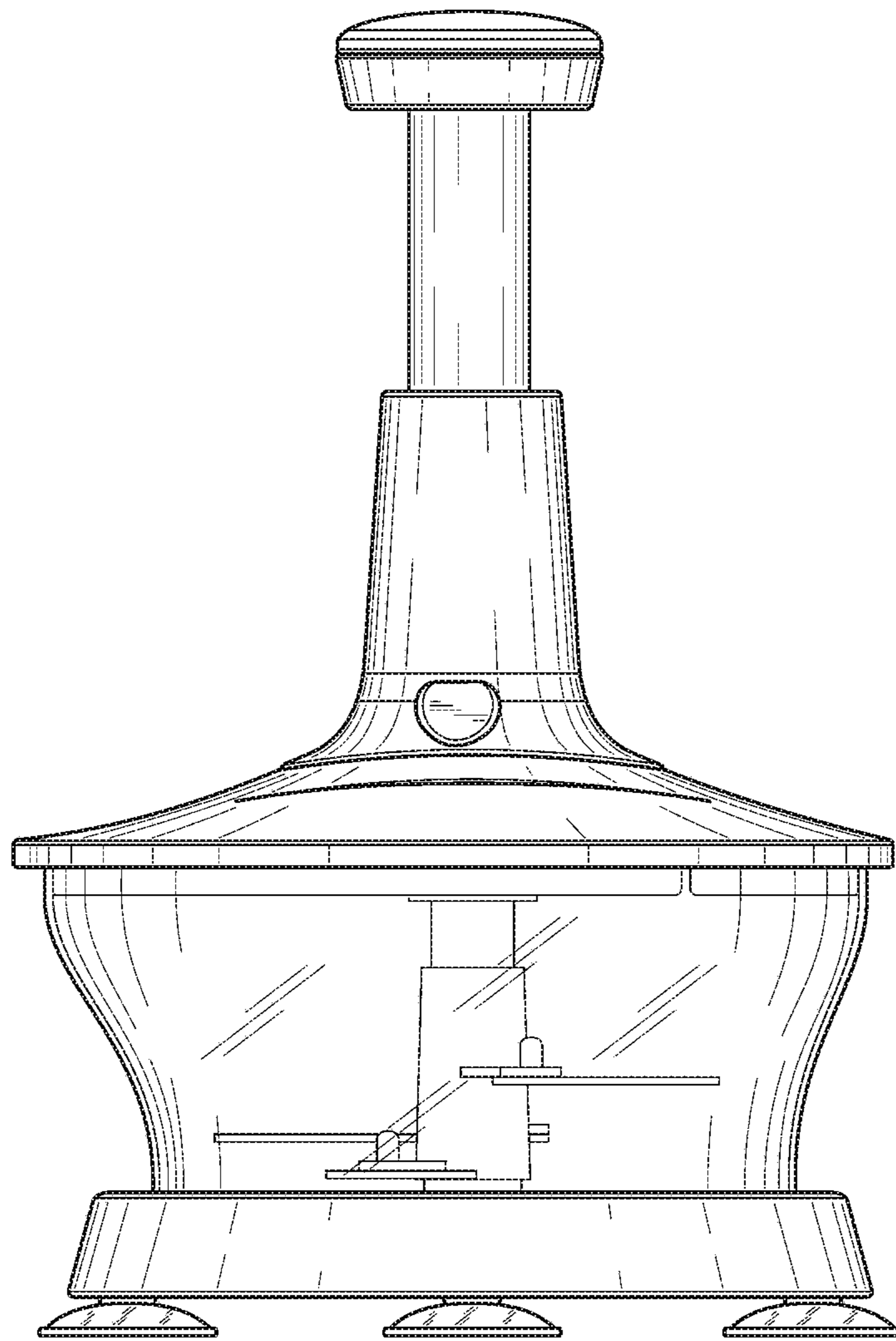


Fig. 5

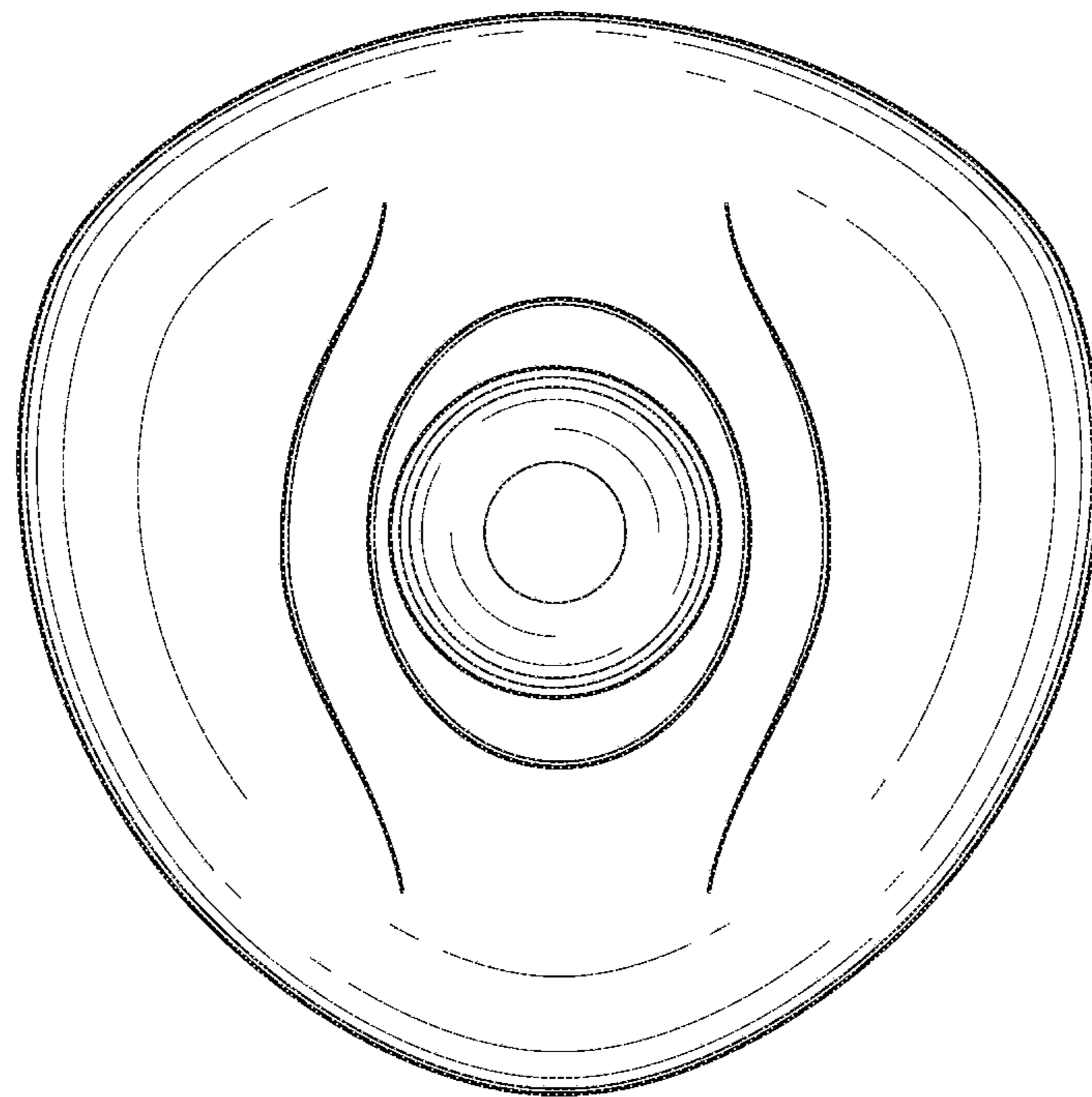


Fig. 6

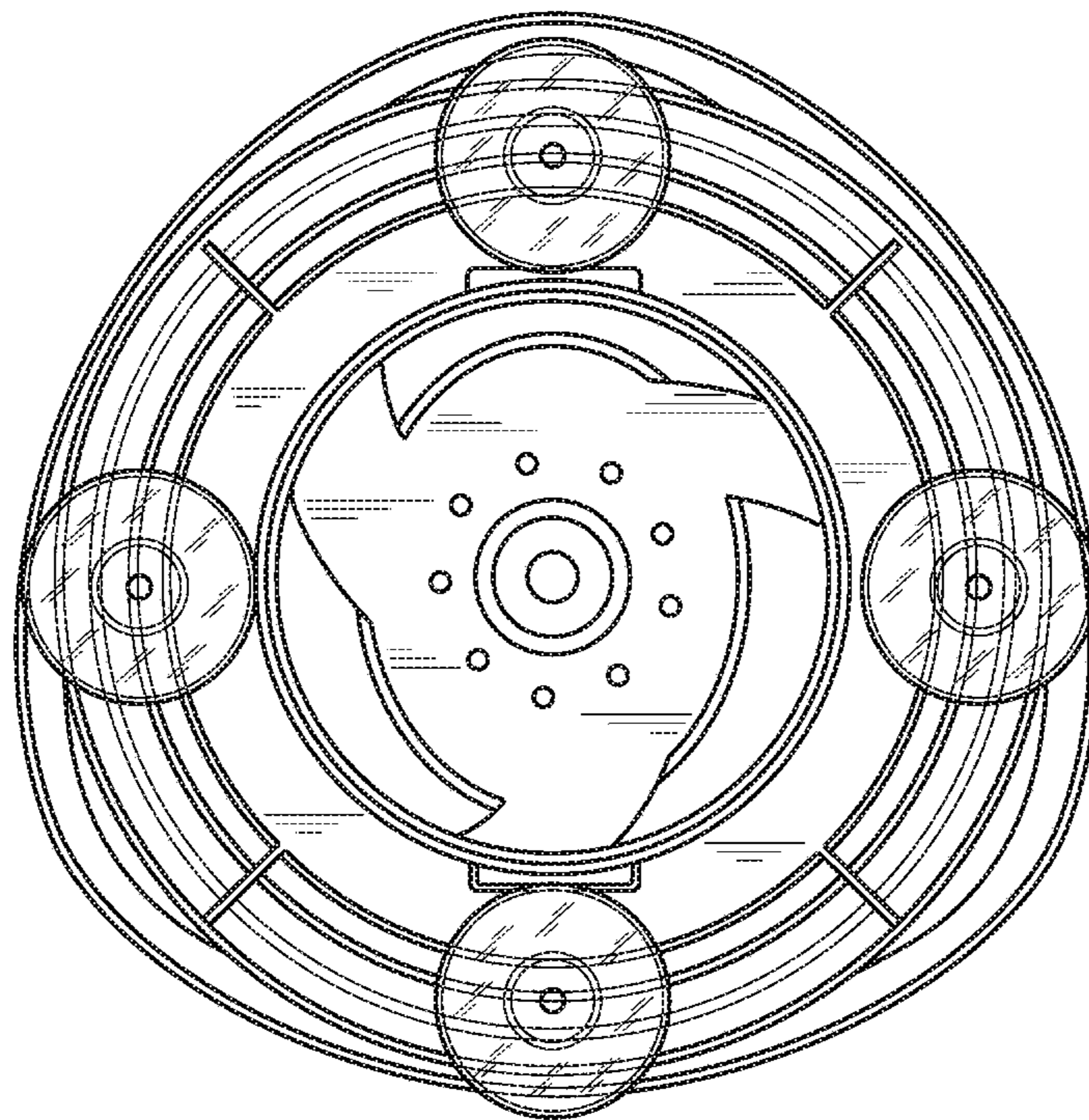


Fig. 7

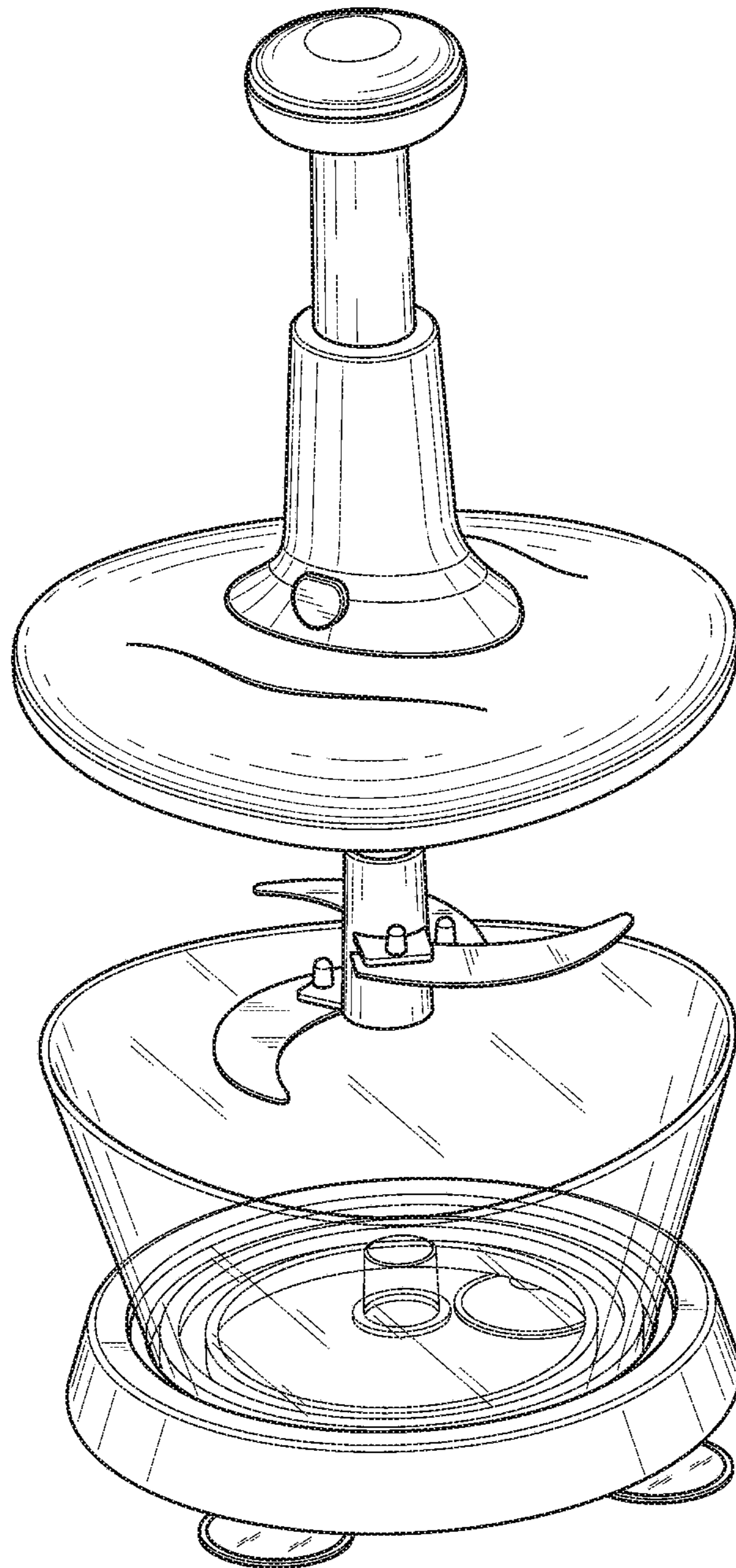


Fig. 8