



US00D900532S

(12) **United States Design Patent** (10) **Patent No.:** **US D900,532 S**
Chen (45) **Date of Patent:** **** Nov. 3, 2020**

(54) **MEAT MINCER**

(71) Applicant: **Cuihong Chen**, Taizhou (CN)

(72) Inventor: **Cuihong Chen**, Taizhou (CN)

(**) Term: **15 Years**

(21) Appl. No.: **29/695,255**

(22) Filed: **Jun. 18, 2019**

(51) **LOC (12) Cl.** **07-06**

(52) **U.S. Cl.**
USPC **D7/381**; D7/372; D7/693

(58) **Field of Classification Search**
USPC D7/372, 373, 376-385, 412, 665, 666,
D7/678, 669, 679, 693
CPC B02C 18/305; B02C 1/08; B02C 4/42;
B02C 4/142; B02C 4/143; B02C 4/423;
A47J 45/02; A47J 43/04; A47J 43/25;
A47J 43/27; A47J 43/042; A47J 43/044;
A47J 43/046; A47J 43/075; A47J
43/0722; A47J 43/0727; G05G 1/085;
A21C 1/02; A21C 1/04; A23N 1/00;
A23N 1/02; B28C 5/10; B28C 5/12;
B28C 5/14; B28C 5/16; B01F 3/00; B01F
3/0807; B01F 3/0853; B01F 13/0059;
B01F 13/0064

See application file for complete search history.

(56) **References Cited**

U.S. PATENT DOCUMENTS

3,376,910 A *	4/1968	Popeil	G05G 1/085 241/82.5
D260,351 S *	8/1981	Shun	D7/372
D507,455 S *	7/2005	Bertulis	D15/82
D531,850 S *	11/2006	Wong	D7/372
D708,915 S *	7/2014	Wong	D7/666
D715,094 S *	10/2014	Comu	D7/372
9,370,777 B2 *	6/2016	Backaert	A47J 45/02
D780,536 S *	3/2017	Wong	D7/678
2006/0243837 A1 *	11/2006	Wong	B02C 18/305 241/82.1

* cited by examiner

Primary Examiner — Terry A Wallace

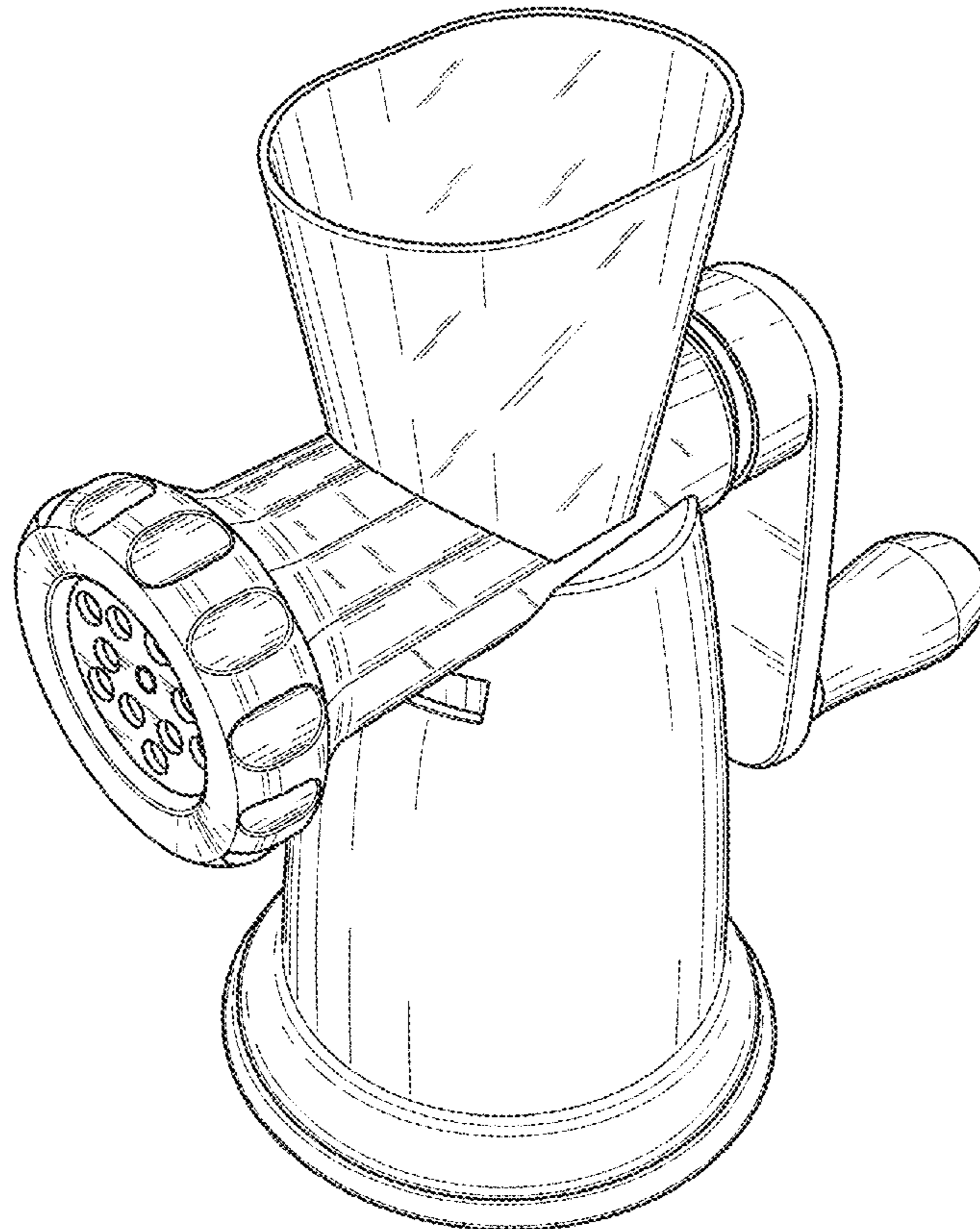
(57) **CLAIM**

The ornamental design for a meat mincer, as shown and described.

DESCRIPTION

FIG. 1 is a perspective view of a meat mincer showing my new design;
FIG. 2 is a left view thereof;
FIG. 3 is a right view thereof;
FIG. 4 is a rear view thereof;
FIG. 5 is a front view thereof;
FIG. 6 is a top view thereof; and,
FIG. 7 is a bottom view thereof.

1 Claim, 7 Drawing Sheets



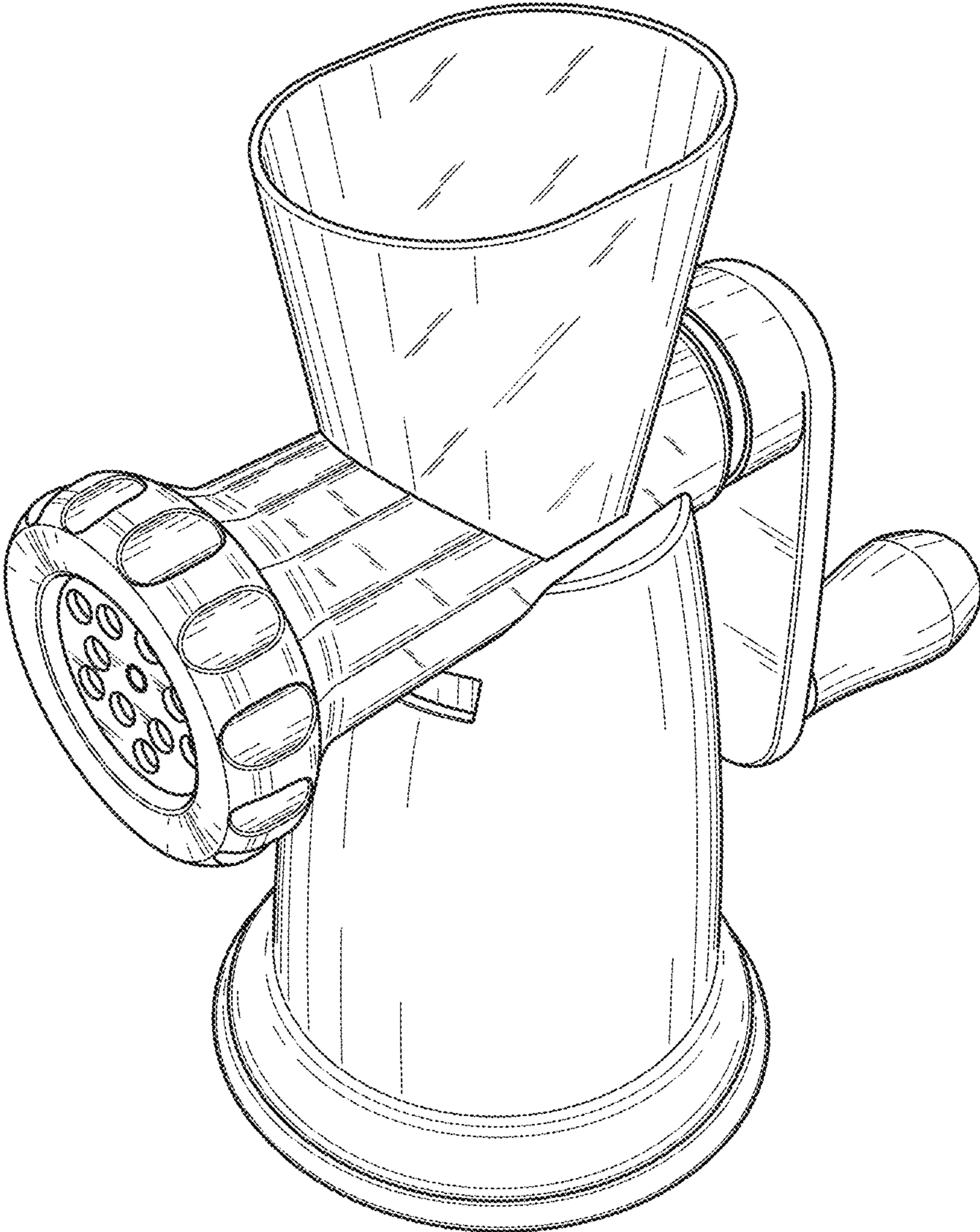


Fig. 1

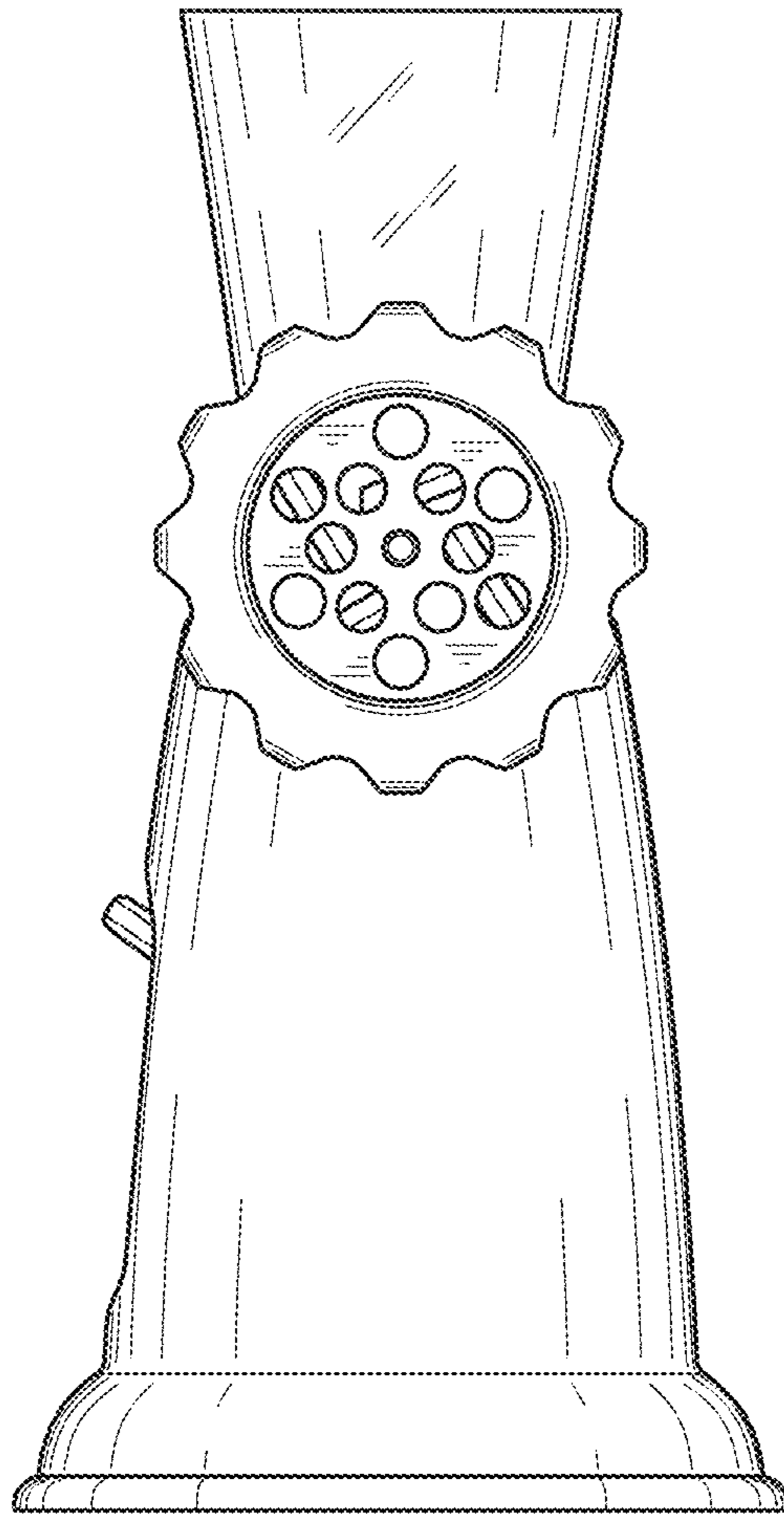


Fig. 2

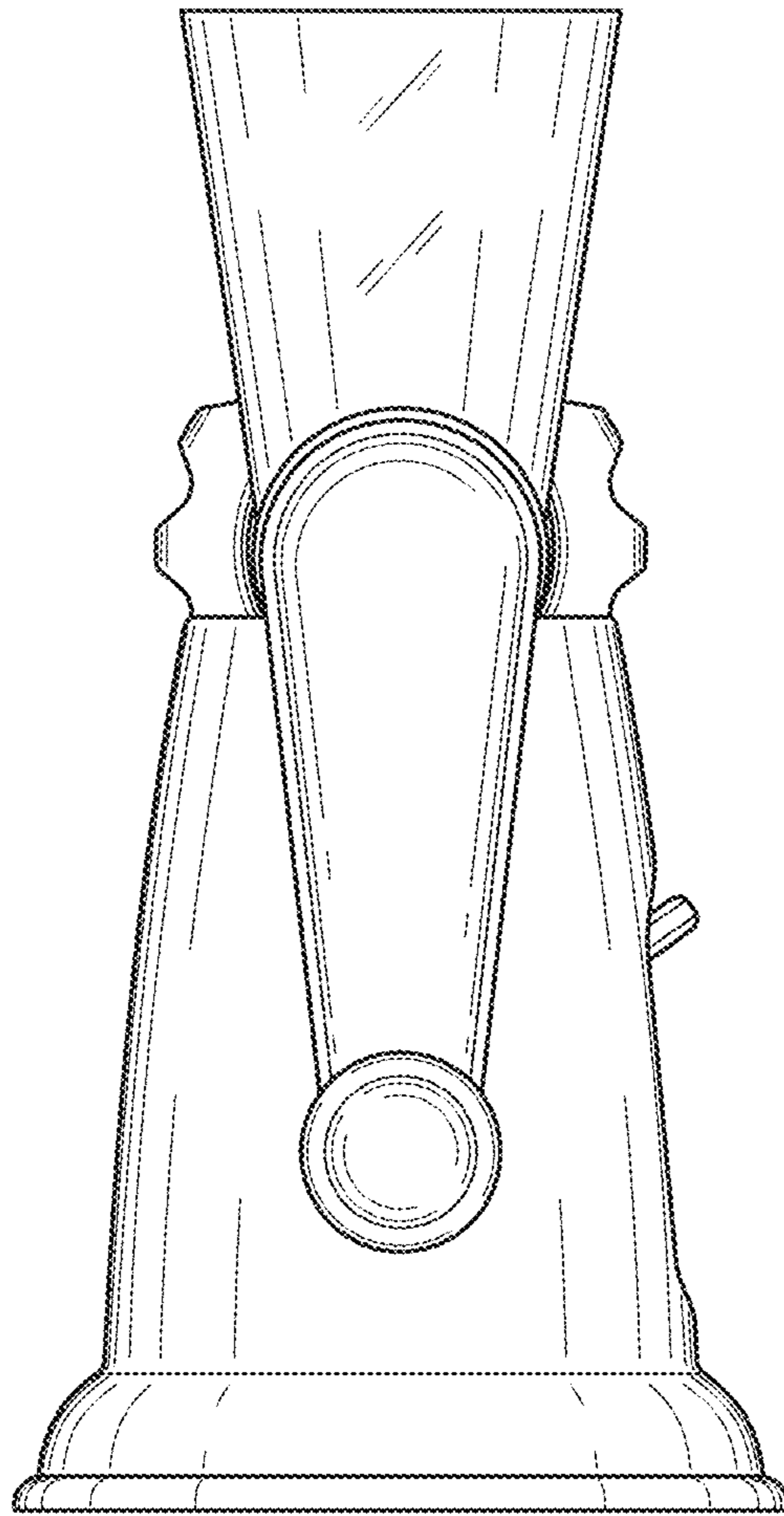


Fig. 3

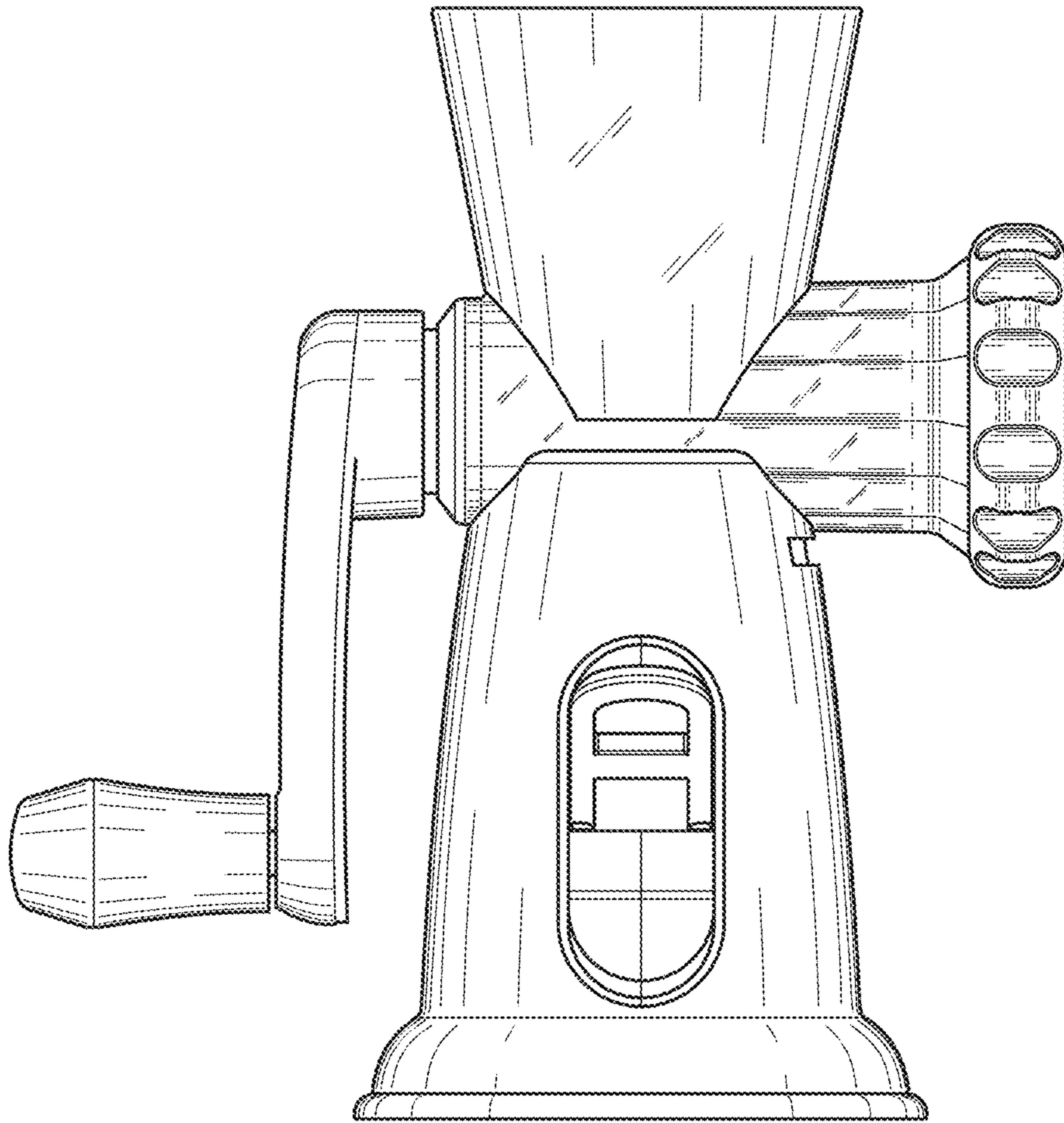


Fig. 4

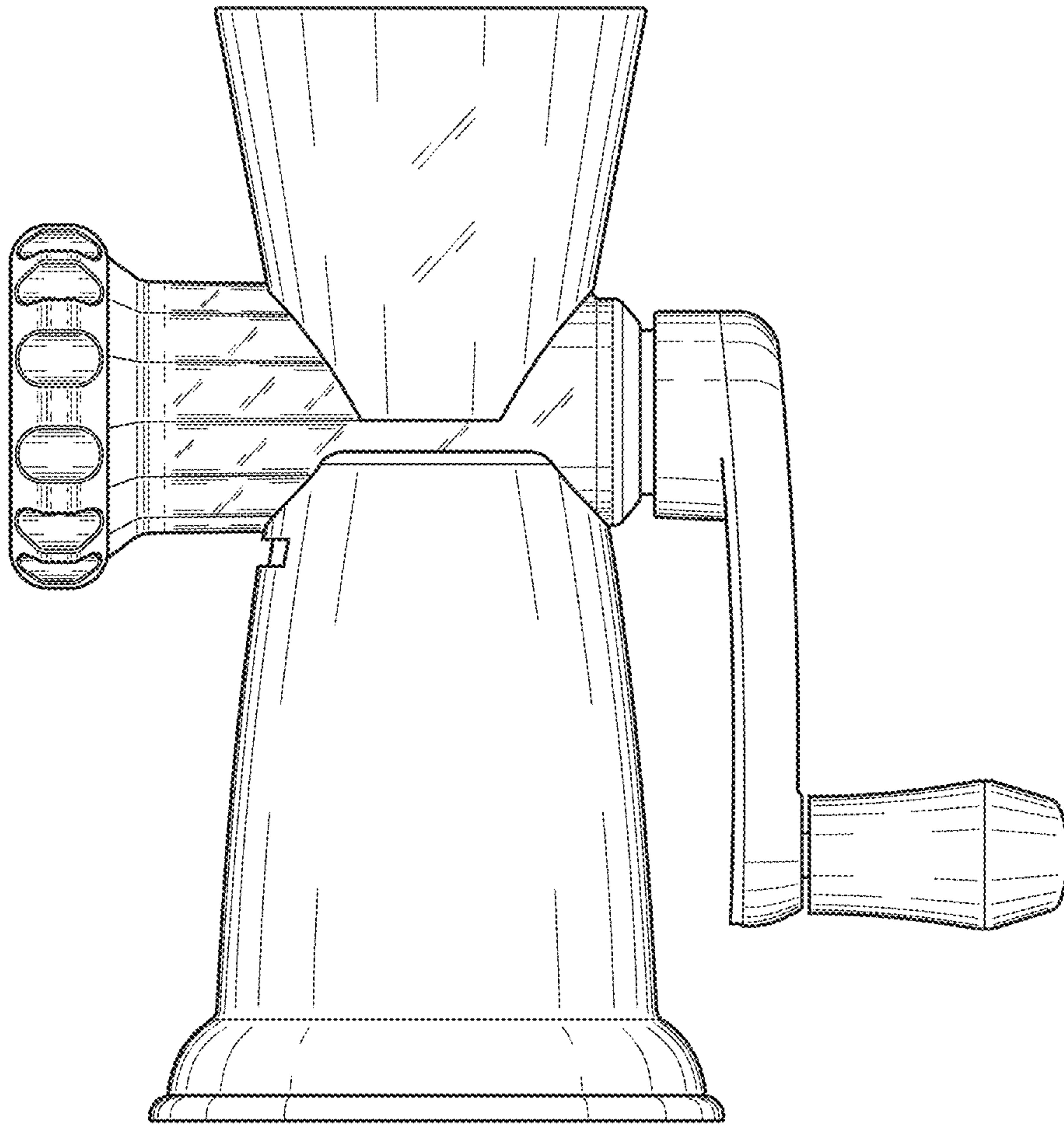


Fig. 5

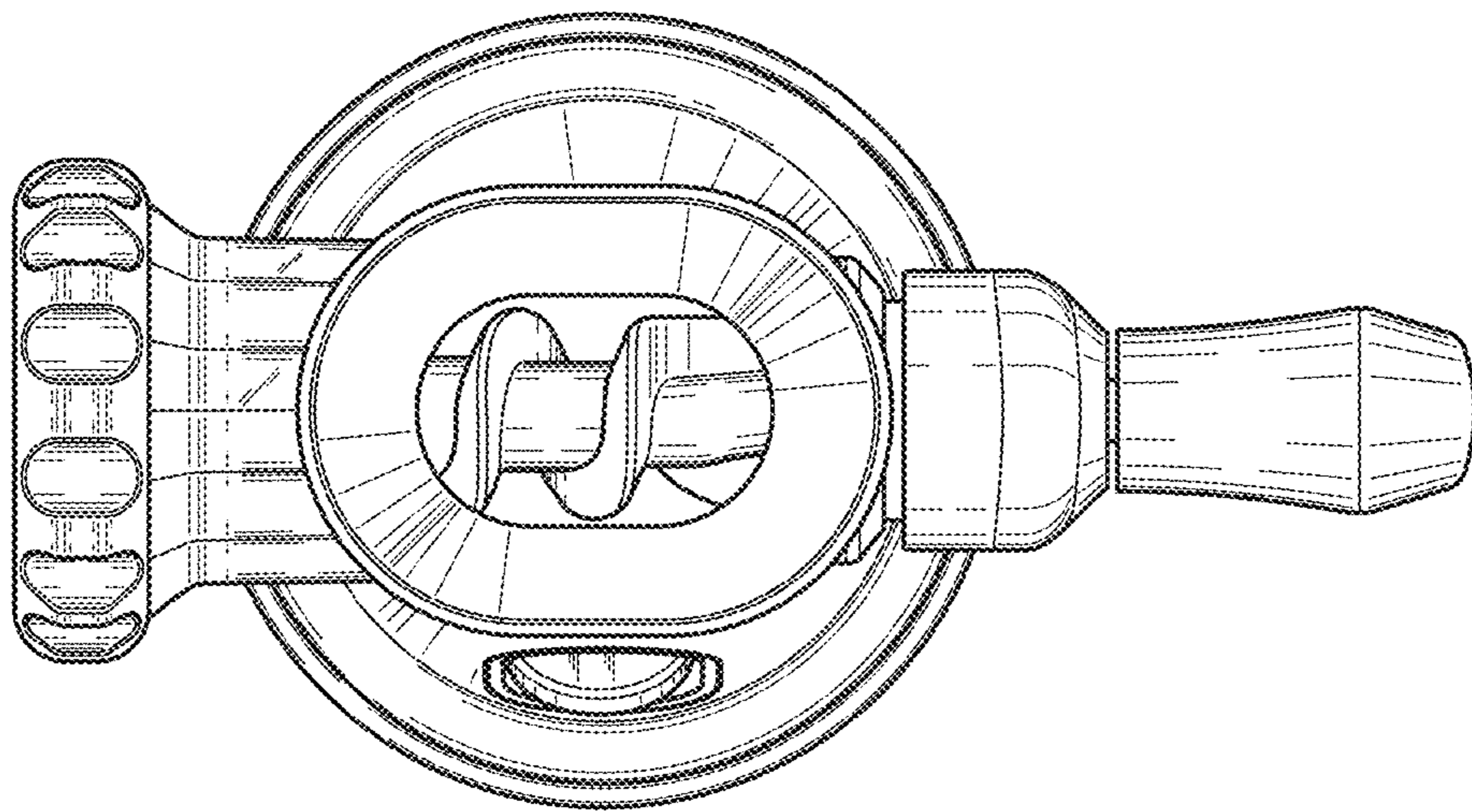


Fig. 6

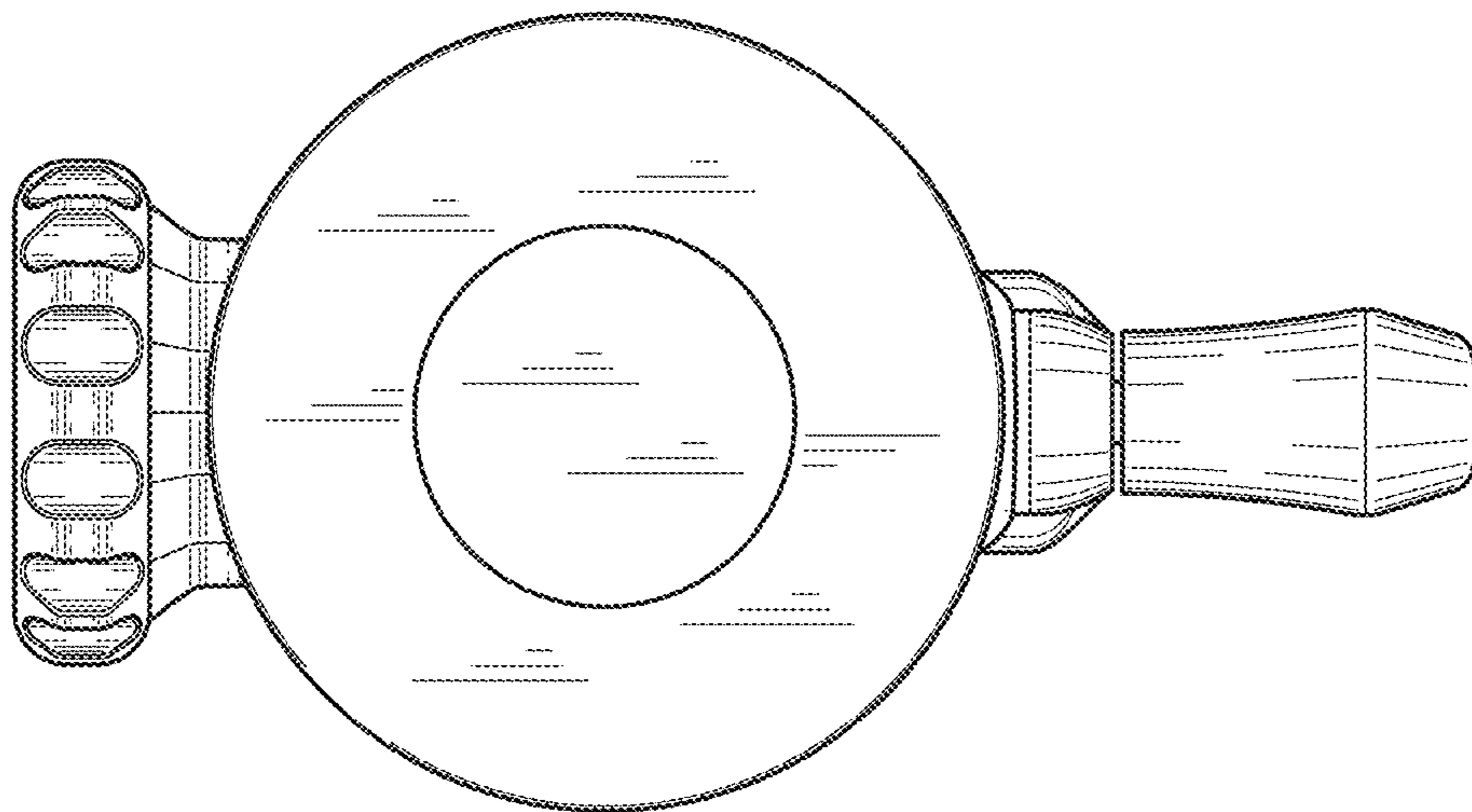


Fig. 7