



US00D900531S

(12) **United States Design Patent** (10) **Patent No.:** **US D900,531 S**
Chen (45) **Date of Patent:** **** Nov. 3, 2020**

(54) **FOOD PROCESSOR**

(71) Applicant: **Cuihong Chen**, Taizhou (CN)

(72) Inventor: **Cuihong Chen**, Taizhou (CN)

(**) Term: **15 Years**

(21) Appl. No.: **29/693,926**

(22) Filed: **Jun. 6, 2019**

(51) **LOC (12) Cl.** **31-00**

(52) **U.S. Cl.**
USPC **D7/381; D7/384**

(58) **Field of Classification Search**
USPC D7/372, 376-386, 412-413, 602, 629,
D7/665-666, 669, 679, 693-694
CPC A21C 1/02; A21C 1/04; A23N 1/00; A23N
1/02; A47J 43/04; A47J 43/25; A47J
43/27; A47J 43/042; A47J 43/044; A47J
43/046; A47J 43/075; A47J 43/0711;
A47J 43/0722; A47J 43/0727; B01F 3/00;
B01F 3/0807; B01F 3/0853; B01F
13/0059; B01F 13/0064; B02C 1/08;
B02C 2/04; B02C 4/42; B02C 4/142;
B02C 4/143; B02C 4/423; B02C 13/1835;
B28C 5/10; B28C 5/12; B28C 5/14;
B28C 5/16; B26D 3/185

See application file for complete search history.

(56) **References Cited**

U.S. PATENT DOCUMENTS

563,652 A * 7/1896 Bulette B26D 3/185
83/435.15
D244,416 S * 5/1977 Zysset D7/693

D378,182 S * 2/1997 Wong D7/693
D380,943 S * 7/1997 Wong D10/46.2
D404,253 S * 1/1999 Littmann D7/412
D414,384 S * 9/1999 Schulein D7/693
D447,381 S * 9/2001 Littmann D7/381
D463,959 S * 10/2002 Weibel D7/693
D464,853 S * 10/2002 Klamer D7/693
D511,434 S * 11/2005 Feil D7/384
D567,017 S * 4/2008 Garman D7/384
D835,452 S * 12/2018 Carr D7/376
2004/0149843 A1 * 8/2004 Tang A47J 43/044
241/272

* cited by examiner

Primary Examiner — Ricky Pham

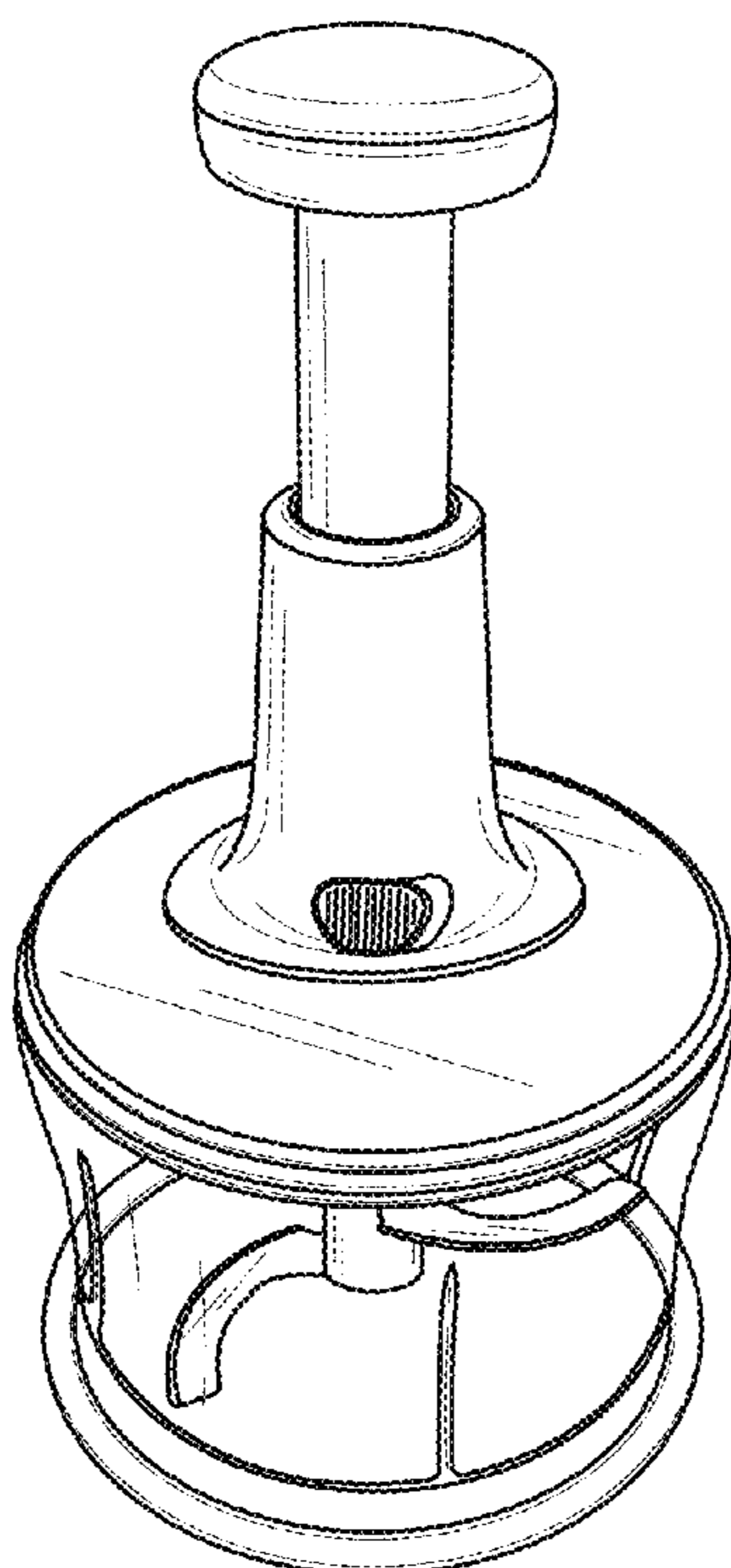
(57) **CLAIM**

The ornamental design for a food processor, as shown and described.

DESCRIPTION

FIG. 1 is a front view of a food processor showing my new design;
FIG. 2 is a rear view thereof;
FIG. 3 is a left view thereof;
FIG. 4 is a right view thereof;
FIG. 5 is a top view thereof;
FIG. 6 is a bottom view thereof; and,
FIG. 7 is a perspective view thereof.

1 Claim, 7 Drawing Sheets



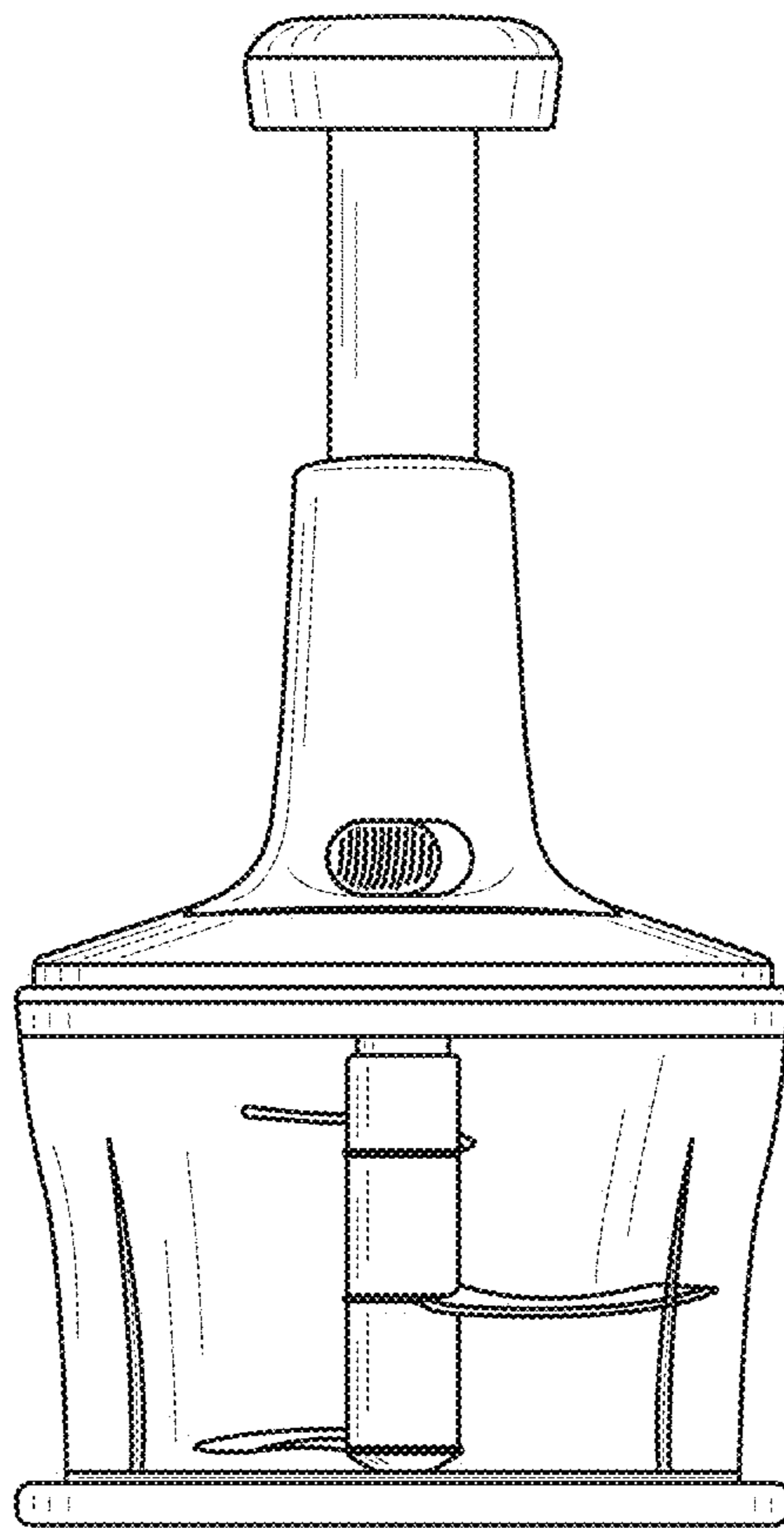


Fig. 1

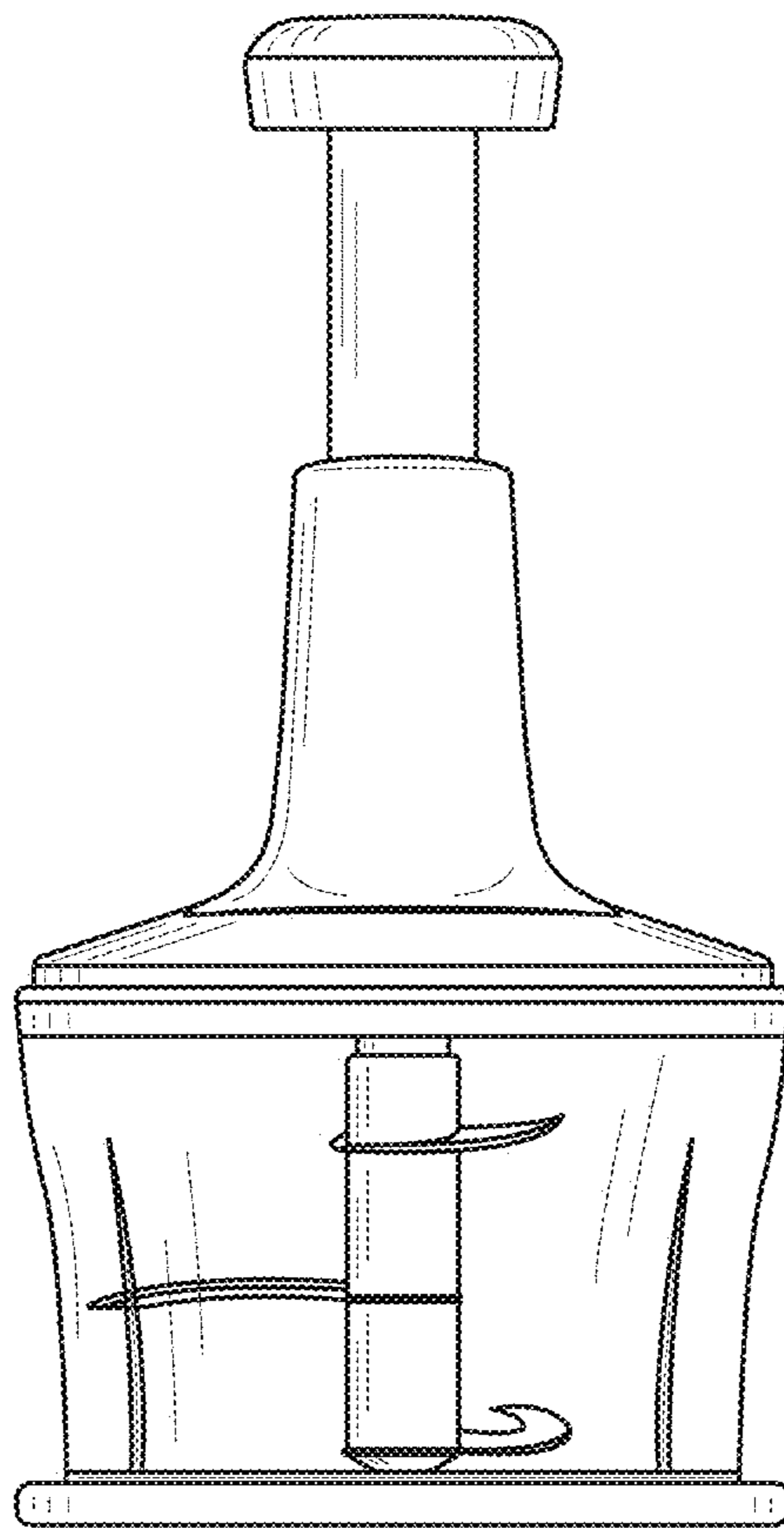


Fig. 2

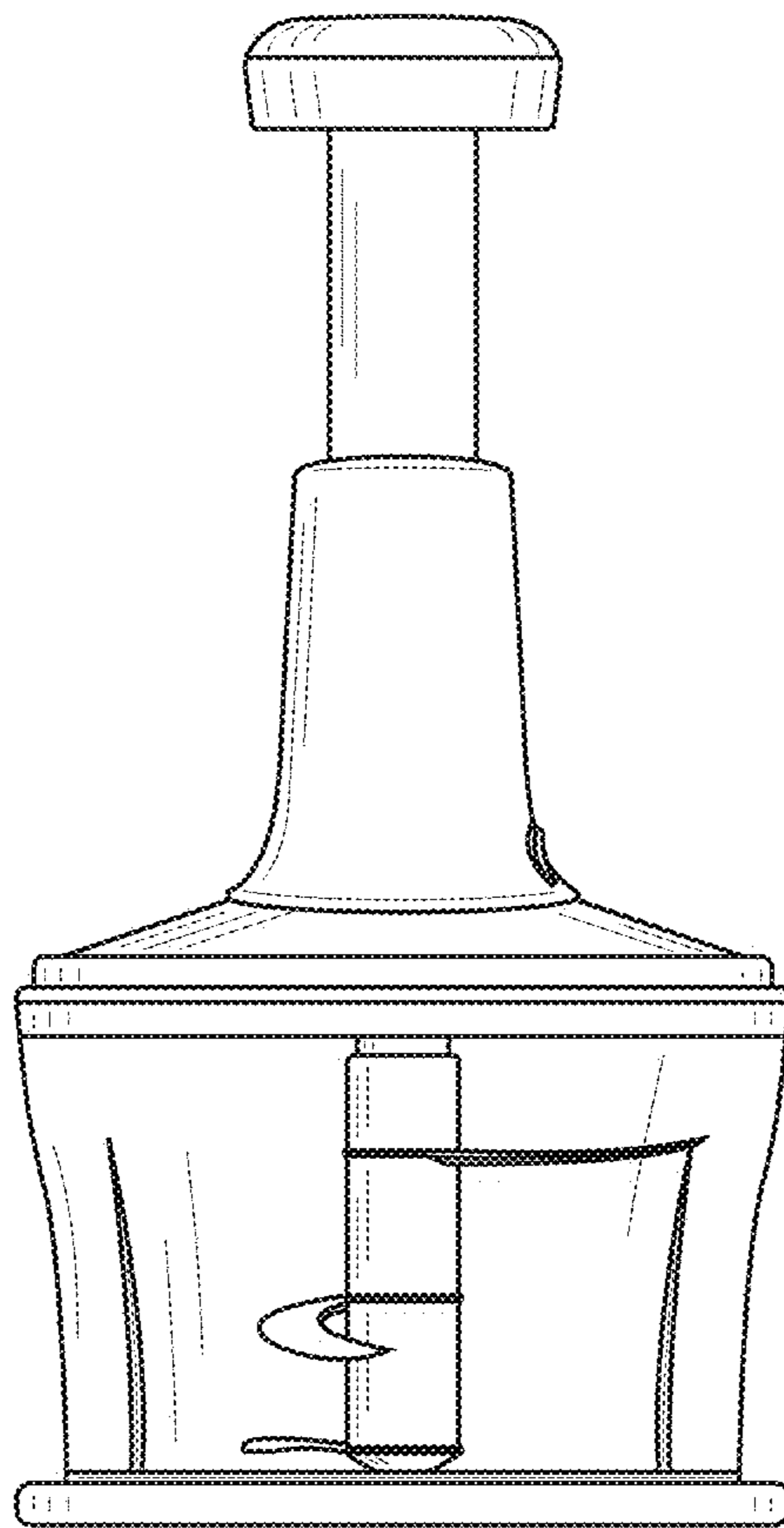


Fig. 3

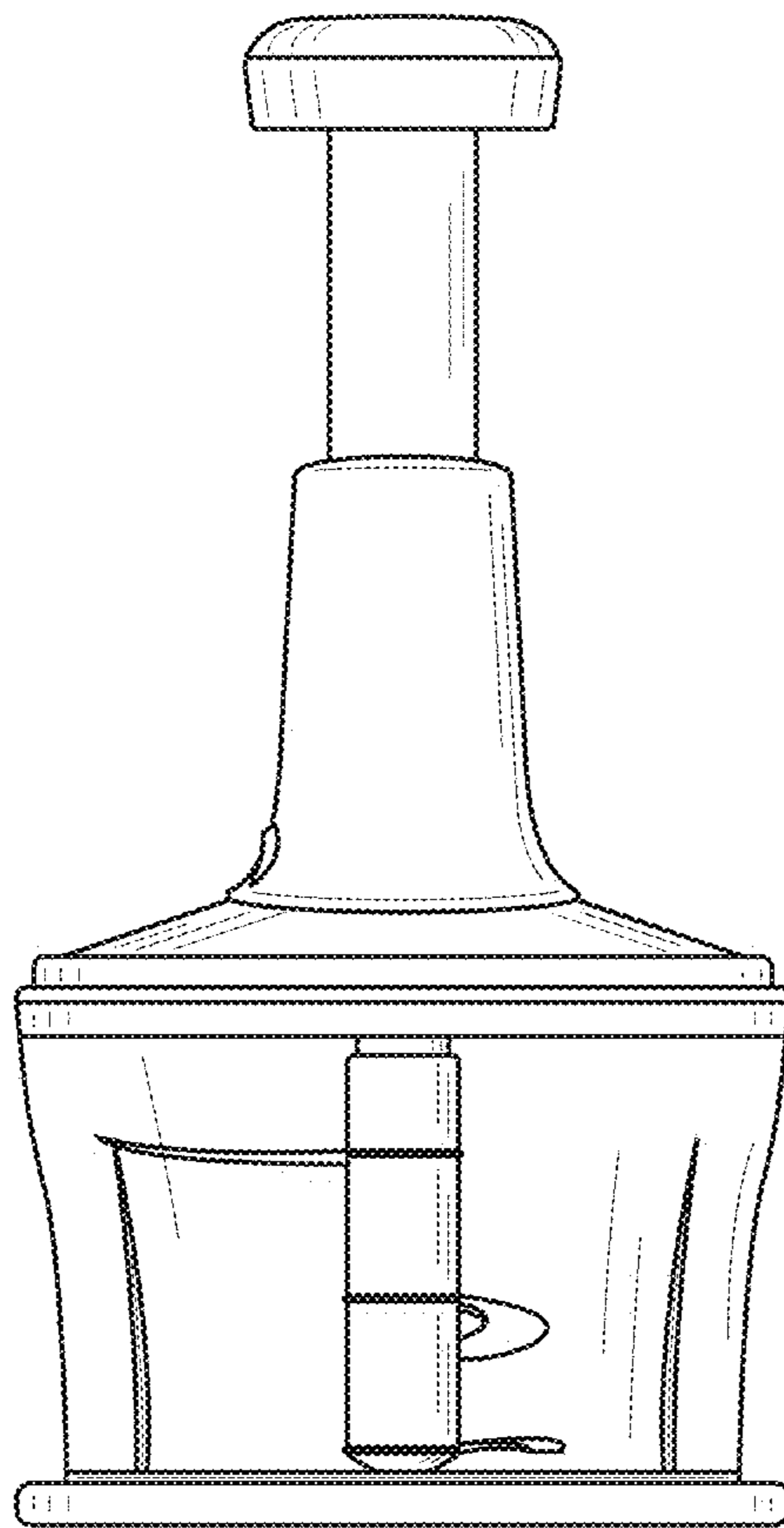


Fig. 4

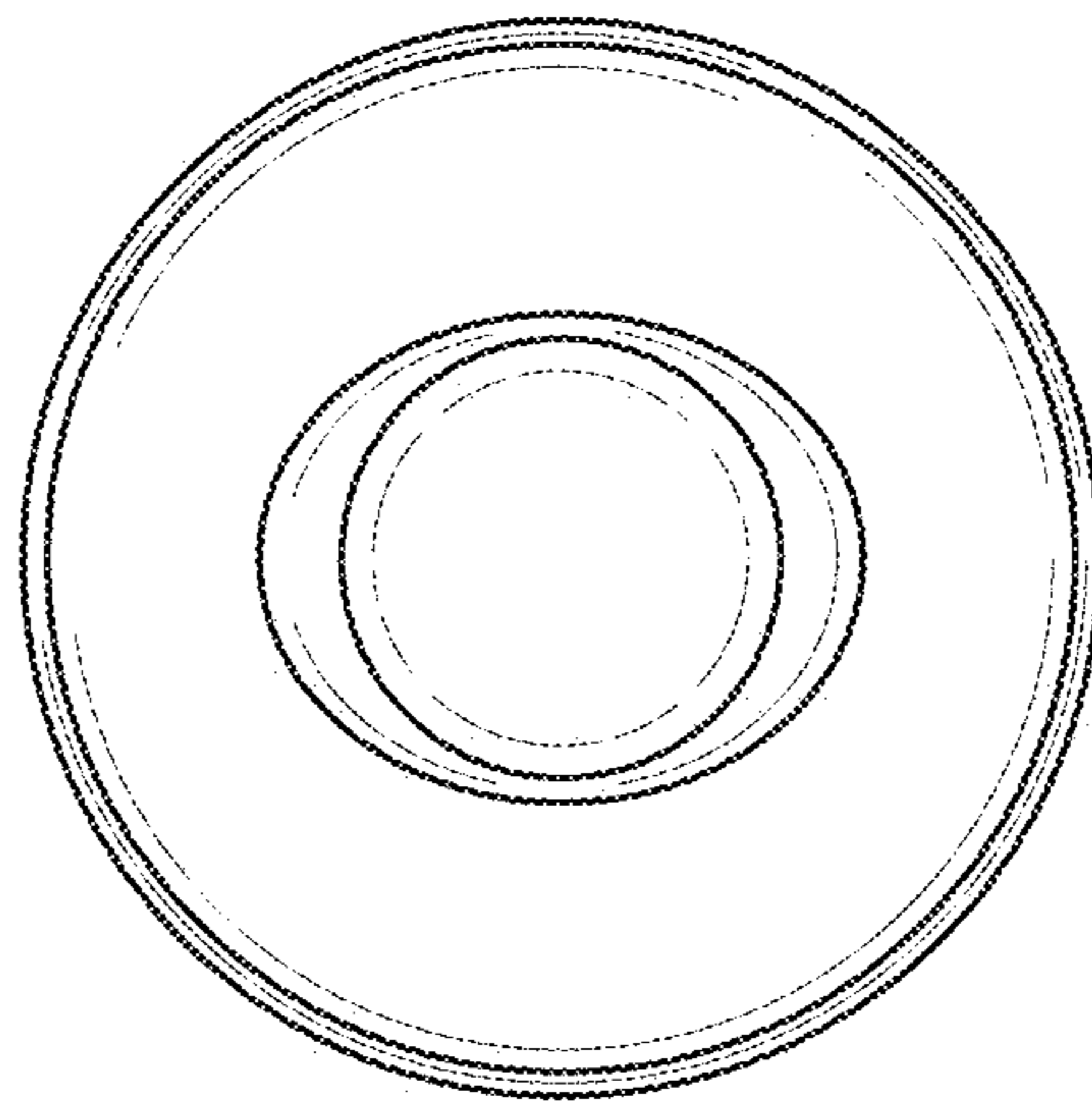


Fig. 5

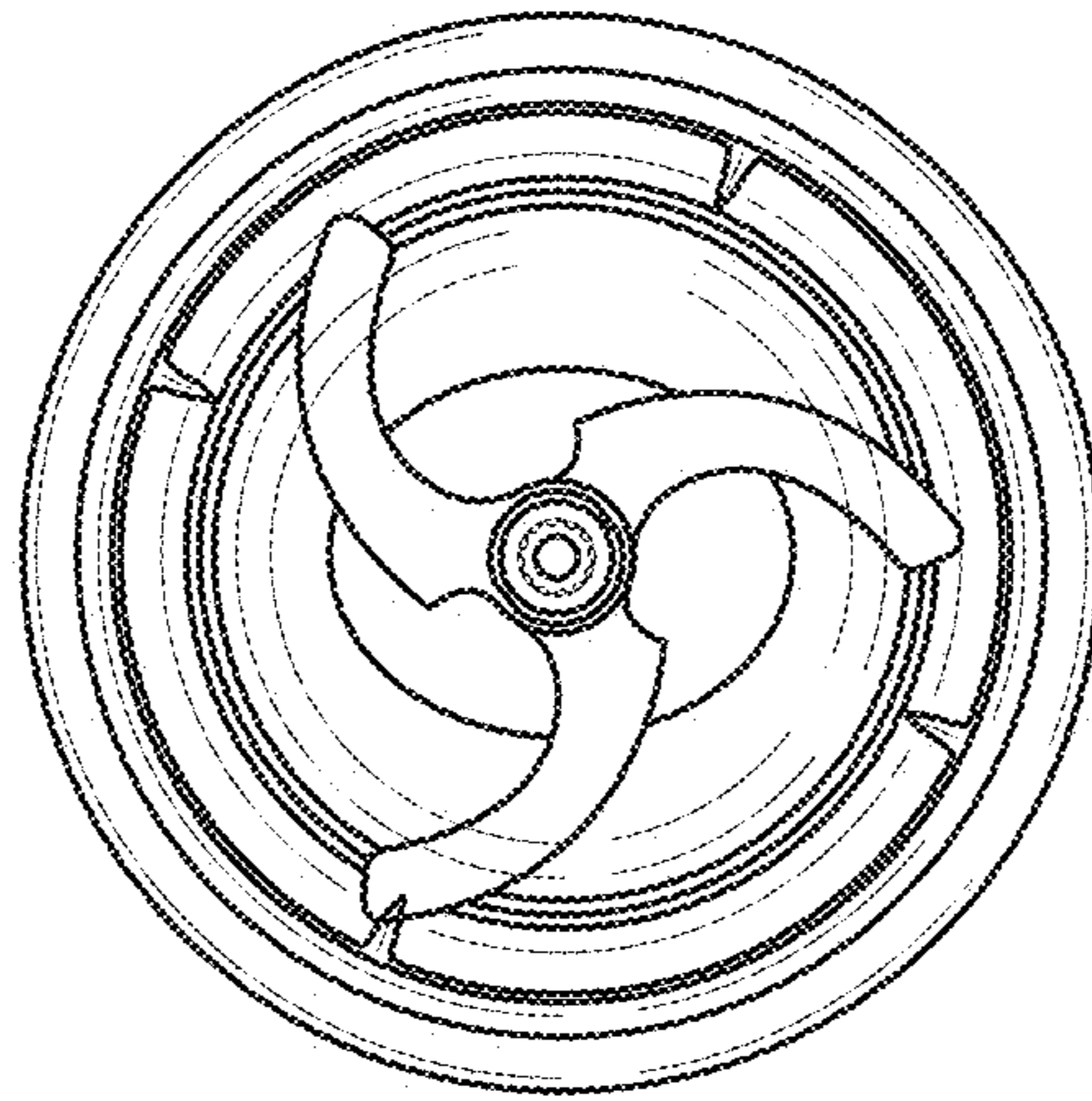


Fig. 6

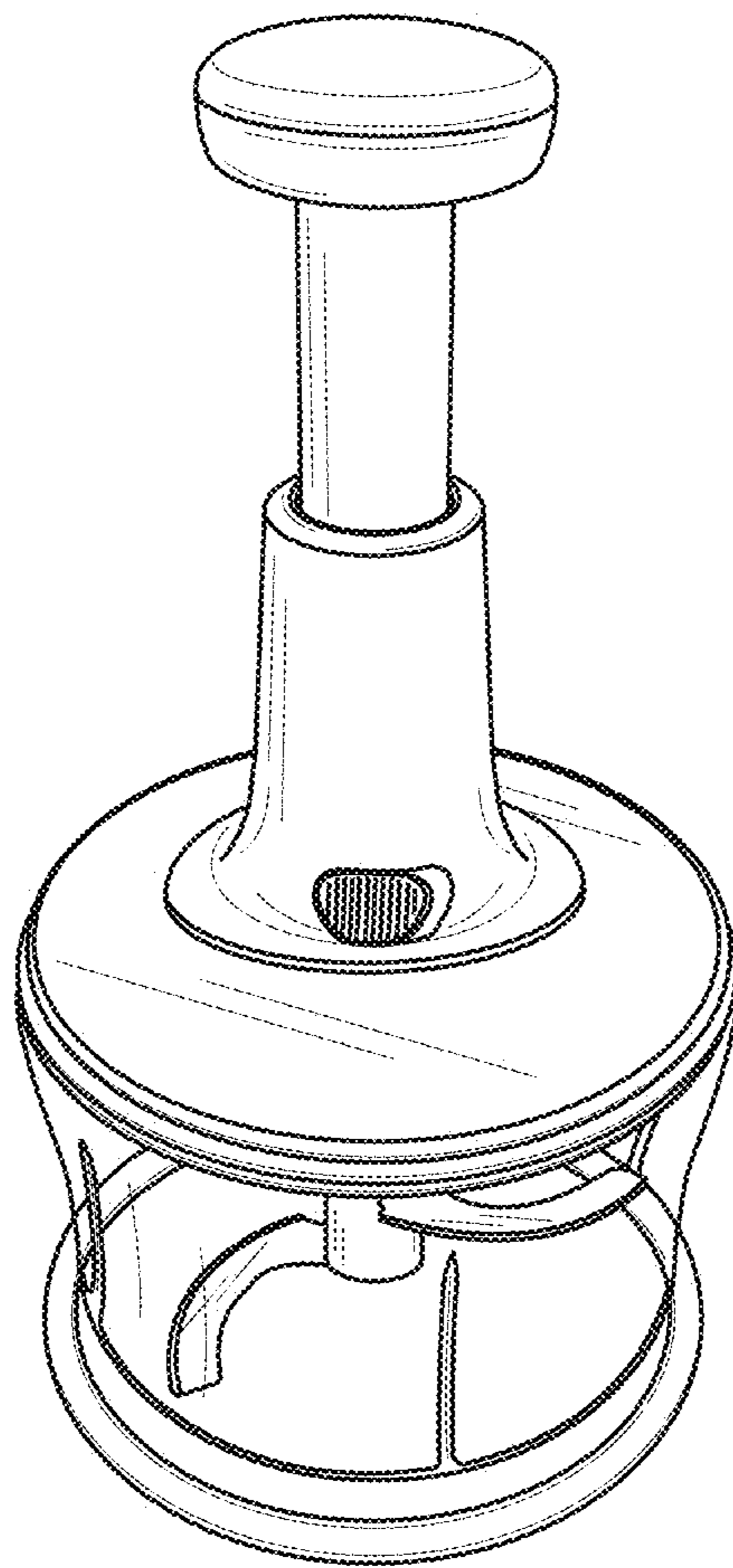


Fig. 7