



US00D900530S

(12) **United States Design Patent** (10) **Patent No.:** **US D900,530 S**  
**Kim et al.** (45) **Date of Patent:** **\*\* Nov. 3, 2020**

(54) **ELECTRIC COFFEE GRINDER JAR**

(56) **References Cited**

(71) Applicant: **LG ELECTRONICS INC.**, Seoul (KR)

U.S. PATENT DOCUMENTS

(72) Inventors: **Joo-Gyeom Kim**, Seoul (KR);  
**Sungkyung Kim**, Seoul (KR);  
**Kyoungmin Baek**, Seoul (KR);  
**Woonkyu Seo**, Seoul (KR); **Hyunsun Yoo**, Seoul (KR); **Hyunhee You**, Seoul (KR); **Yousook Eun**, Seoul (KR);  
**Hyejin Choi**, Seoul (KR)

4,199,268 A \* 4/1980 Parzych ..... A47J 43/046  
366/306  
D332,720 S \* 1/1993 Shields ..... D7/305  
D343,981 S \* 2/1994 Ferrara, Jr. .... D7/309  
D708,008 S \* 7/2014 Lazzer ..... D7/376  
D796,886 S \* 9/2017 Mangold ..... D7/309  
D825,983 S \* 8/2018 Kraemer ..... D7/373  
D847,557 S \* 5/2019 Kraemer ..... D7/373  
D867,054 S \* 11/2019 Lee ..... D7/386  
D867,806 S \* 11/2019 Bodum ..... D7/377  
D877,652 S \* 3/2020 Hung; Chun ..... D11/152

(73) Assignee: **LG ELECTRONICS INC.**, Seoul (KR)

(Continued)

(\*\*) Term: **15 Years**

*Primary Examiner* — Ricky Pham

(21) Appl. No.: **29/677,115**

(74) *Attorney, Agent, or Firm* — Birch, Stewart, Kolasch & Birch, LLP

(22) Filed: **Jan. 17, 2019**

(57) **CLAIM**

(30) **Foreign Application Priority Data**

The ornamental design for an electric coffee grinder jar, as shown and described.

Jul. 18, 2018 (KR) ..... 30-2018-0033182

(51) **LOC (12) Cl.** ..... **31-00**

(52) **U.S. Cl.**  
USPC ..... **D7/373; D7/372**

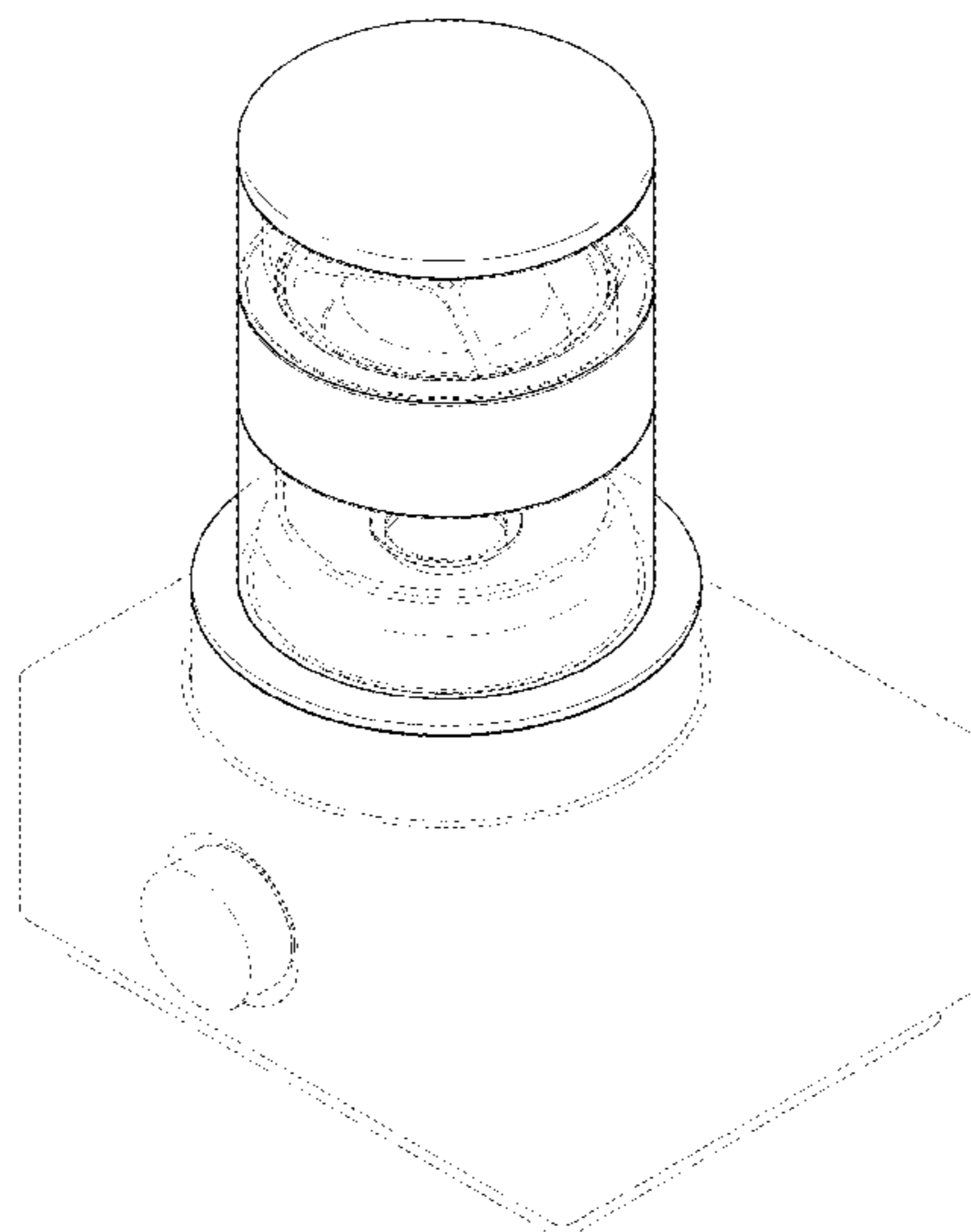
**DESCRIPTION**

(58) **Field of Classification Search**  
USPC ..... D7/305, 309, 372–373, 376–386,  
D7/412–413, 602, 629, 665–666, 669,  
D7/679, 693–694  
CPC .... A21C 1/02; A21C 1/04; A23N 1/00; A23N  
1/02; A47J 42/00; A47J 43/04; A47J  
43/25; A47J 43/27; A47J 43/042; A47J  
43/044; A47J 43/046; A47J 43/075; A47J  
43/0722; A47J 43/0727; B01F 3/00; B01F  
3/0807; B01F 3/0853; B01F 13/0059;  
B01F 13/0064; B02C 1/08; B02C 2/04;  
B02C 4/42; B02C 4/142; B02C 4/143;  
B02C 4/423; B02C 13/1835; B28C 5/10;  
B28C 5/12; B28C 5/14; B28C 5/16

FIG. 1 is a front, right side, perspective view of an electric coffee grinder jar showing our new design;  
FIG. 2 is a front view thereof;  
FIG. 3 is a rear view thereof;  
FIG. 4 is a left side view thereof;  
FIG. 5 is a right side view thereof;  
FIG. 6 is a top view thereof;  
FIG. 7 is a bottom view thereof; and,  
FIG. 8 is a reference view that shows the subject design with a coffee grinder installed and the transparent material of the subject design thereof.  
The portions of the electric coffee grinder jar shown in broken lines form no part of the claimed design.

See application file for complete search history.

**1 Claim, 8 Drawing Sheets**



(56)

**References Cited**

U.S. PATENT DOCUMENTS

2014/0319249	A1 *	10/2014	Smith .....	A47J 43/25 241/24.1
2016/0100715	A1 *	4/2016	Staiano .....	A47J 42/00 241/79

\* cited by examiner

FIG. 1

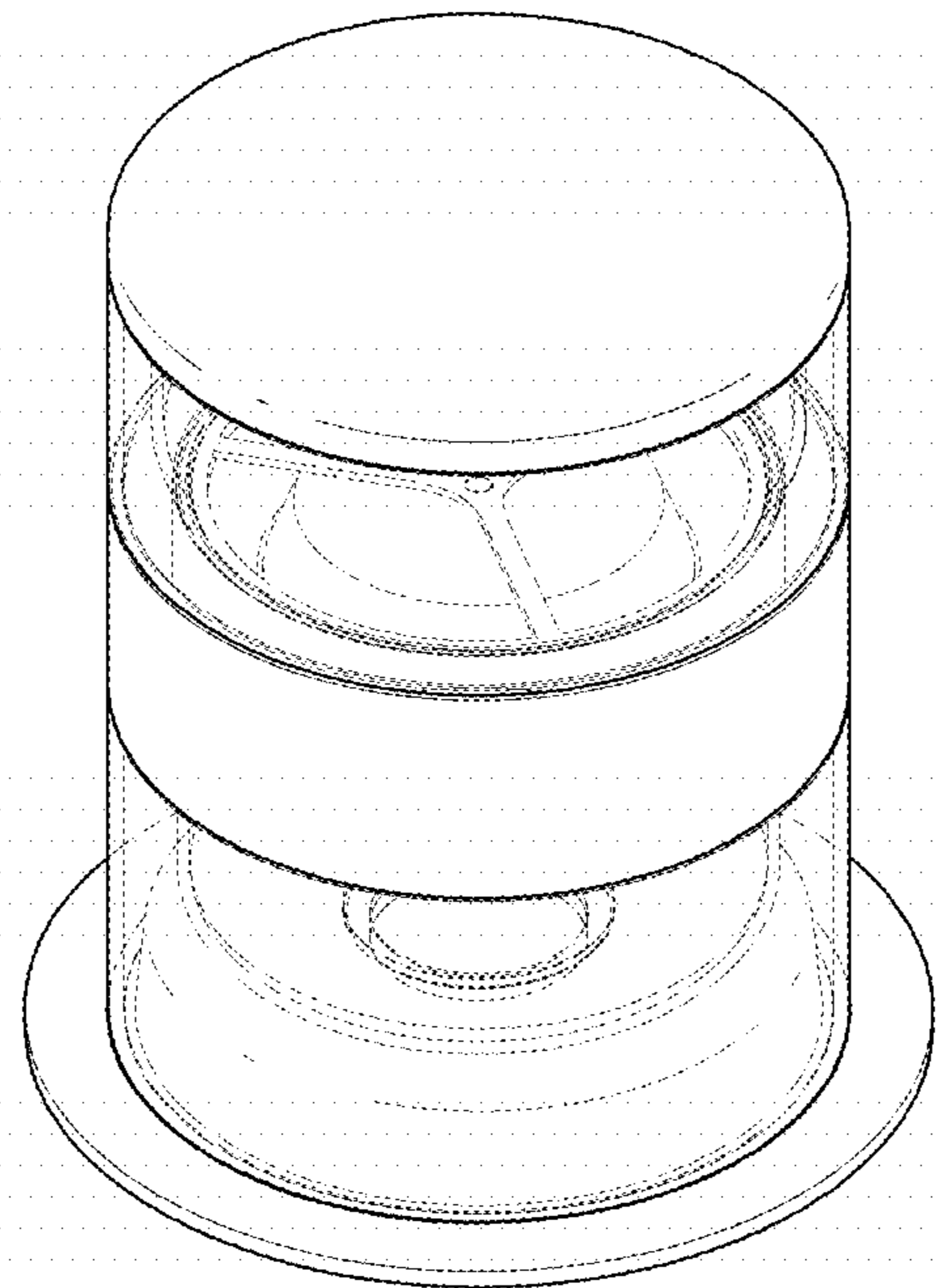


FIG. 2

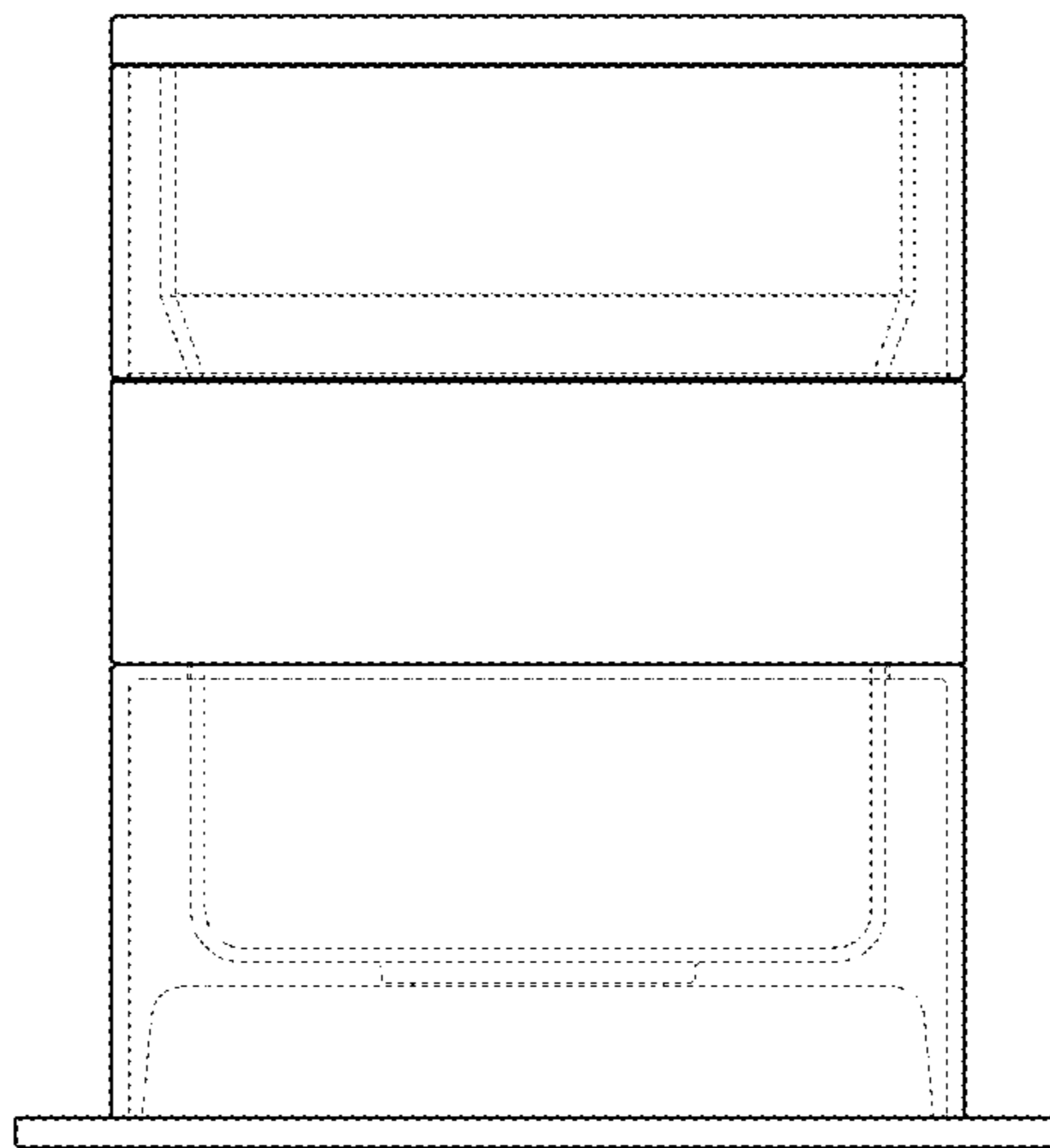


FIG. 3

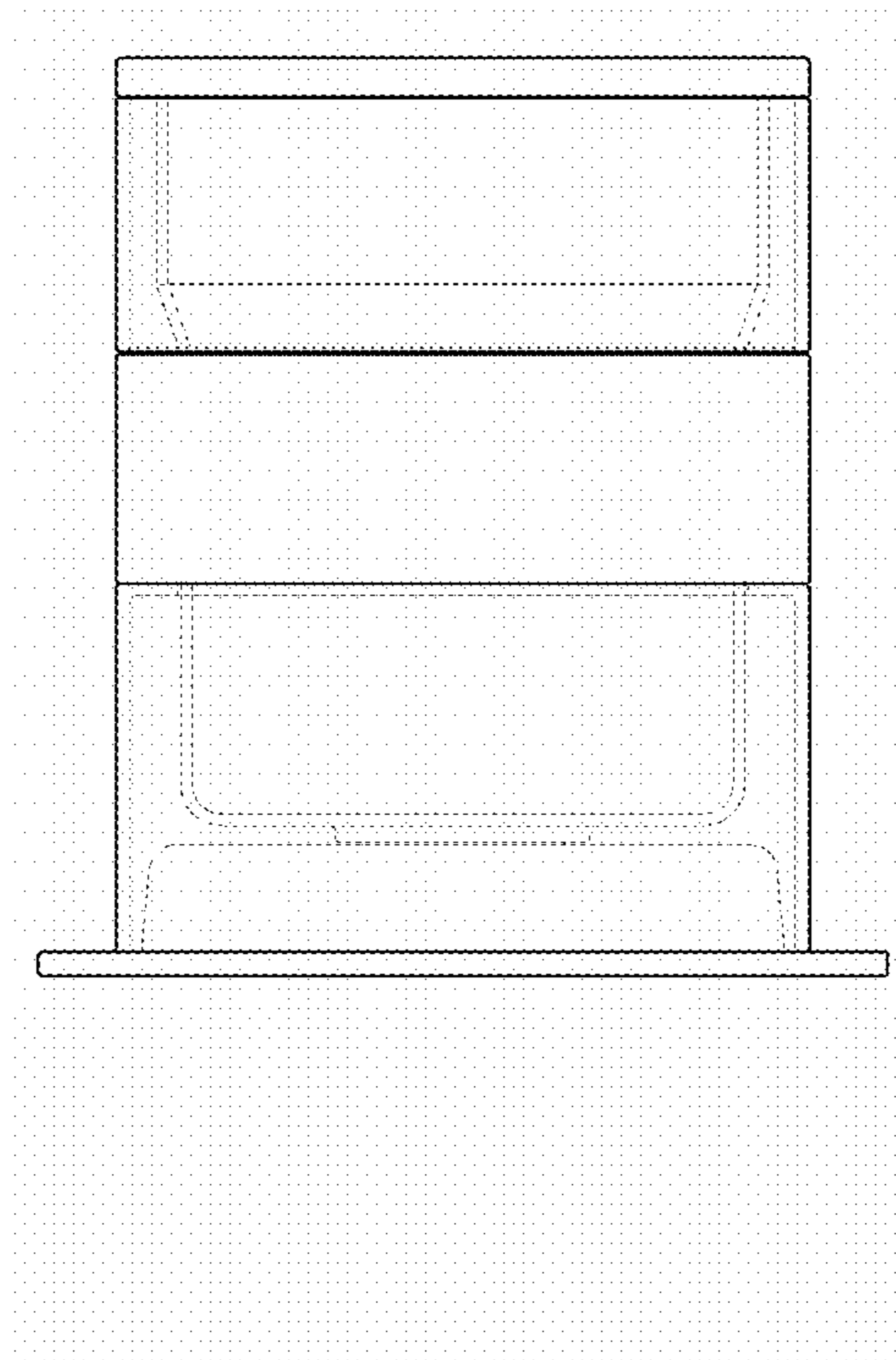


FIG. 4

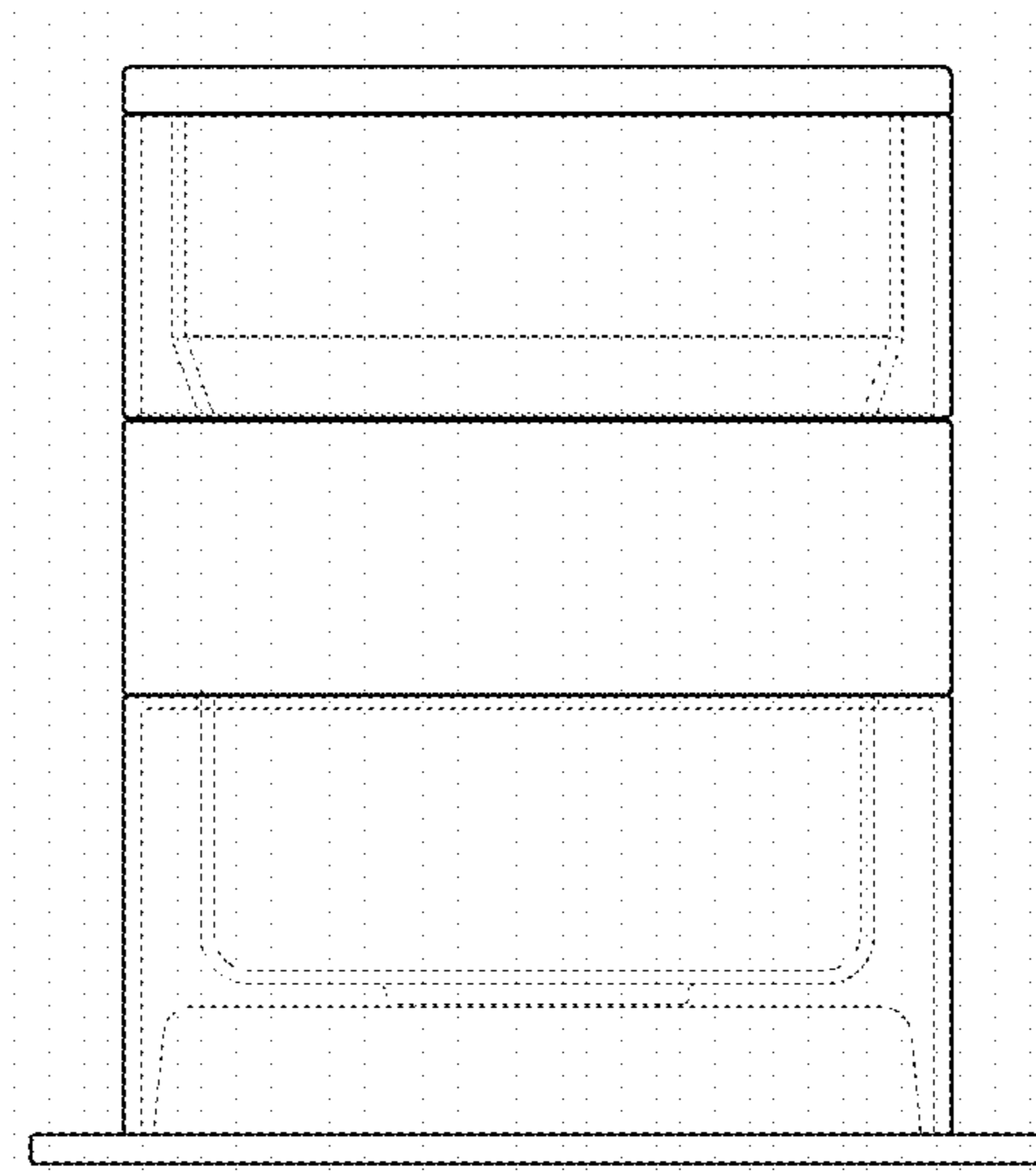


FIG. 5

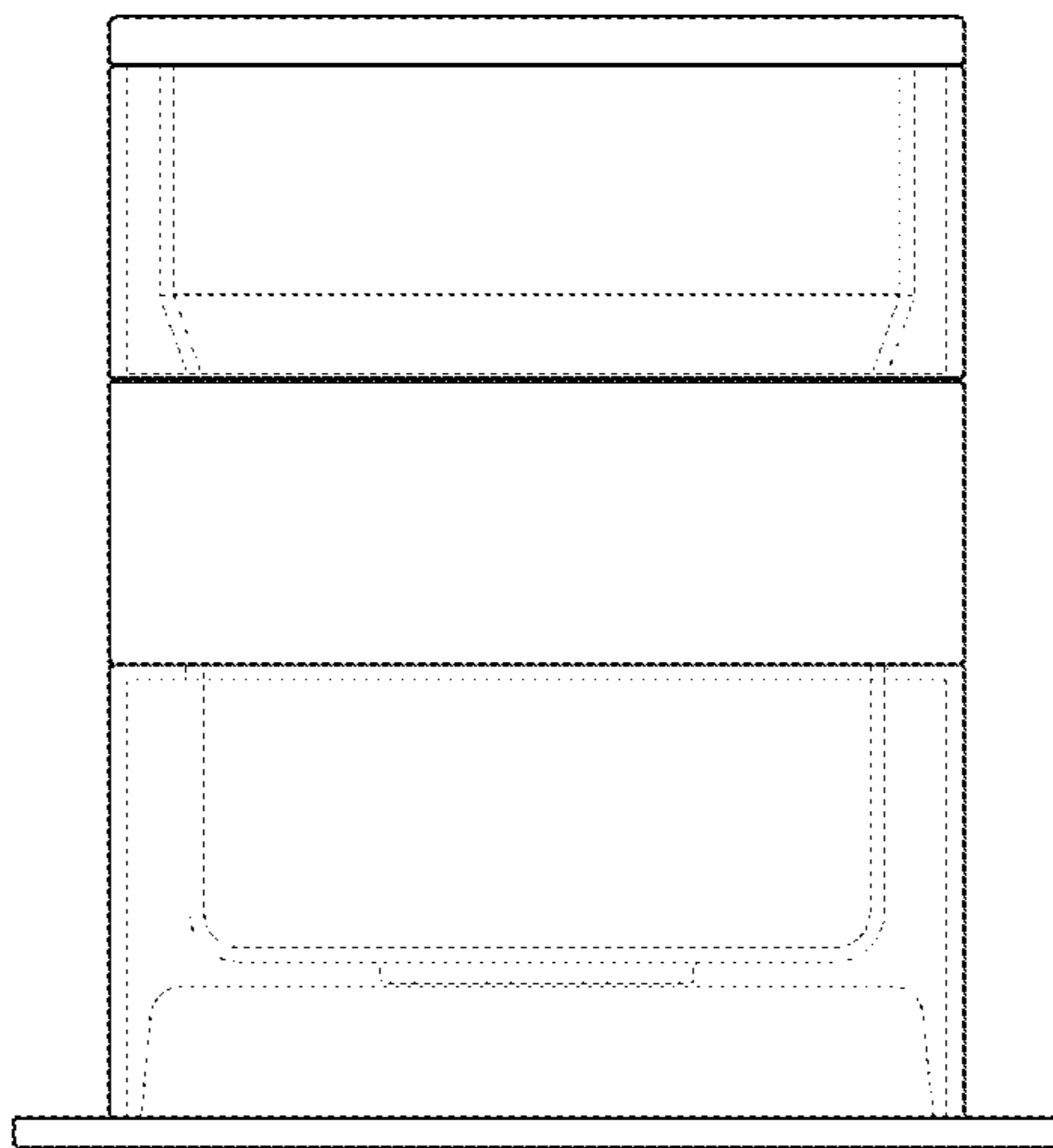


FIG. 6

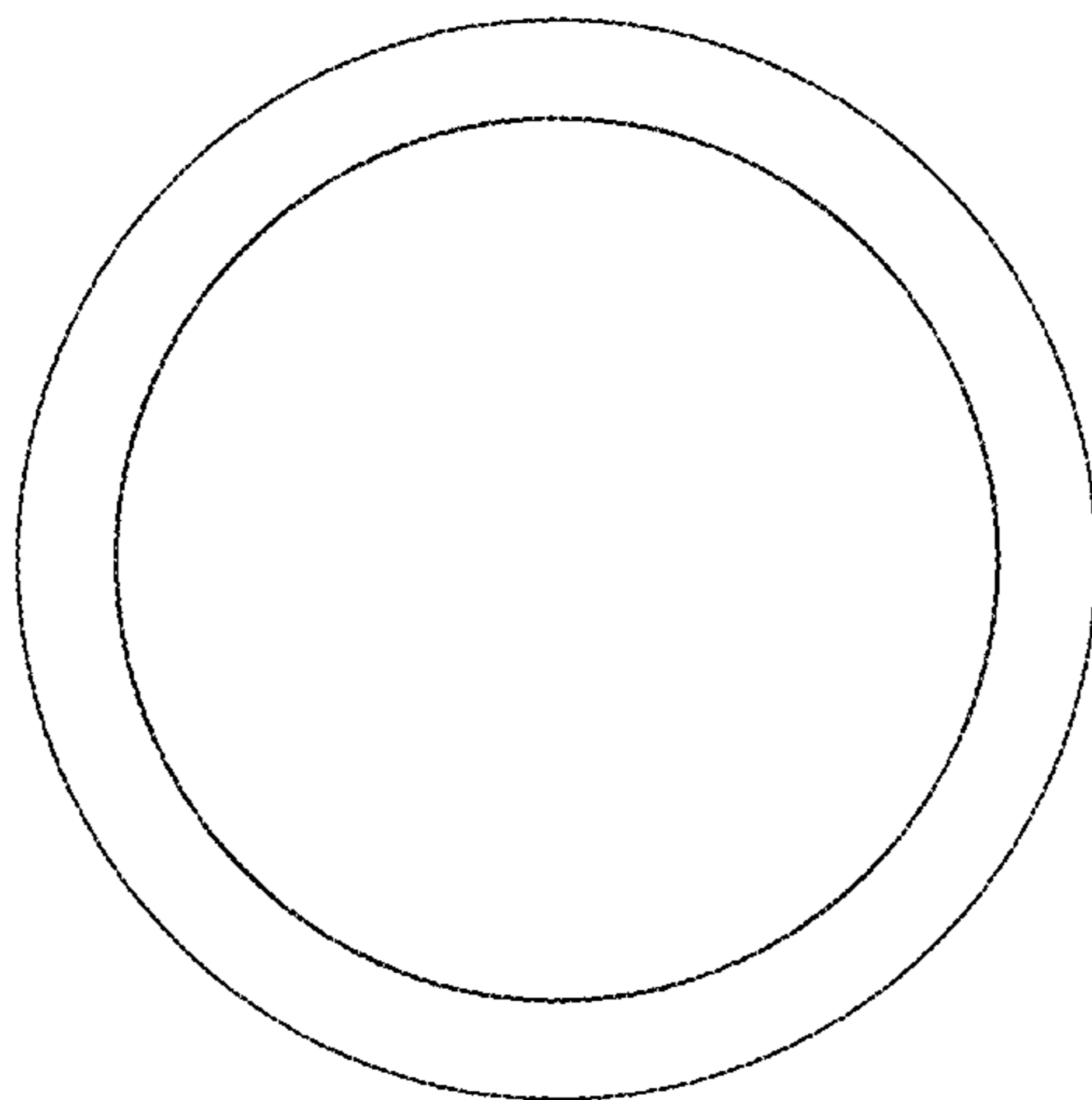




FIG. 7

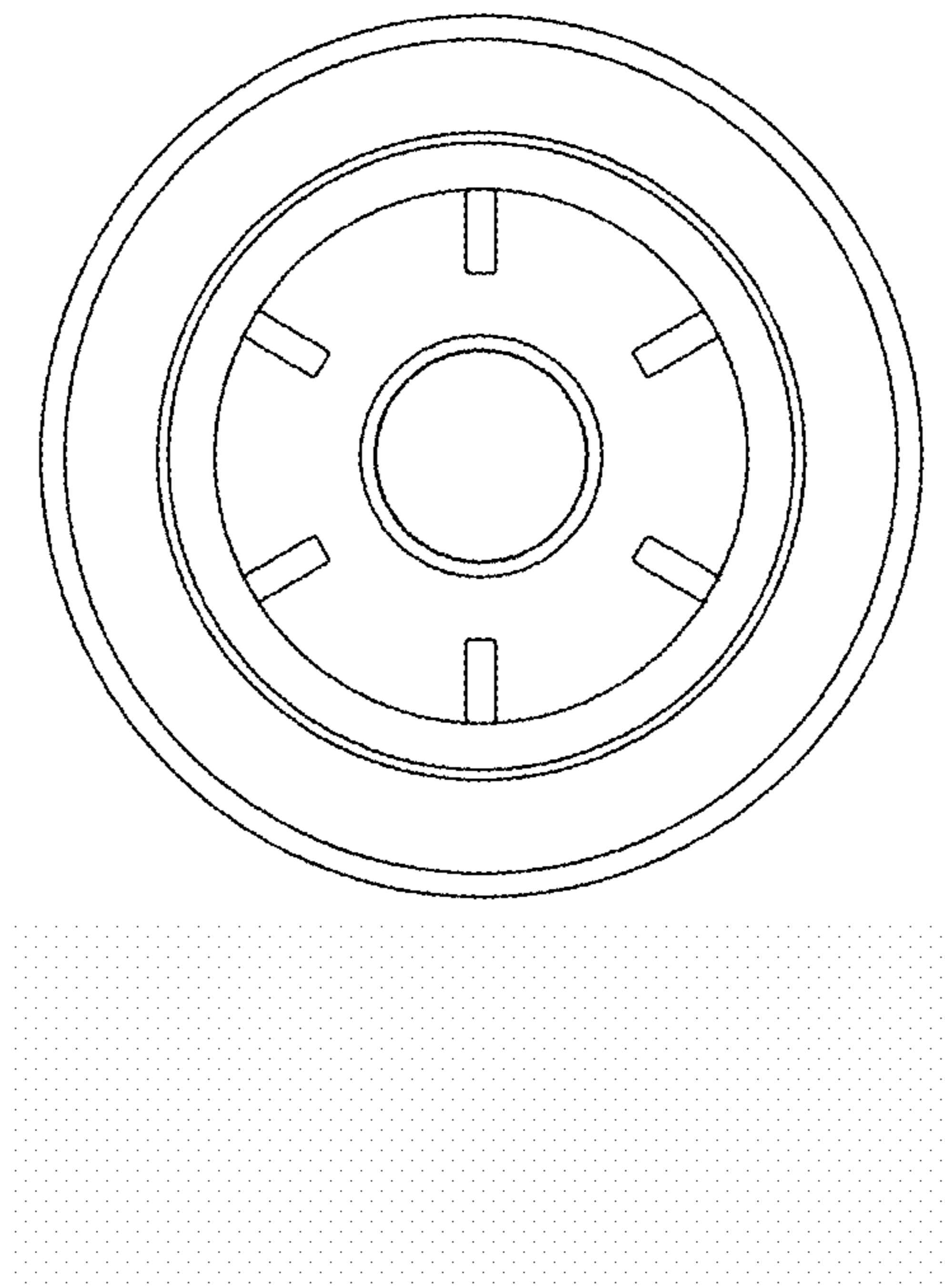


FIG. 8

