



US00D900525S

(12) **United States Design Patent**  
**Breen**

(10) **Patent No.:** **US D900,525 S**

(45) **Date of Patent:** **\*\* Nov. 3, 2020**

(54) **CHAIR**

(71) Applicant: **NIGHTINGALE CORP.**, Mississauga (CA)

(72) Inventor: **William R. Breen**, Mississauga (CA)

(73) Assignee: **NIGHTINGALE CORP.**, Mississauga, ON (CA)

(\*\*) Term: **15 Years**

(21) Appl. No.: **29/673,474**

(22) Filed: **Dec. 14, 2018**

(30) **Foreign Application Priority Data**

Oct. 17, 2018 (CA) ..... 184212

(51) **LOC (12) Cl.** ..... **06-01**

(52) **U.S. Cl.**  
USPC ..... **D6/716.7**

(58) **Field of Classification Search**  
USPC ..... D6/334-336, 364, 365, 366, 367, 374,  
D6/375, 716, 716.1, 716.4, 716.7  
CPC ..... A47C 1/022; A47C 1/023; A47C 1/06;  
A47C 1/031; A47C 1/032; A47C  
1/03255; A47C 3/20; A47C 7/00; A47C  
7/002; A47C 7/004

See application file for complete search history.

(56) **References Cited**

**U.S. PATENT DOCUMENTS**

D318,588 S \* 7/1991 Koepke ..... D6/716.7  
D479,066 S \* 9/2003 Klaesener ..... D6/716.7  
D479,928 S \* 9/2003 Klaesener ..... D6/716.7  
D543,039 S \* 5/2007 Hara ..... D6/366  
D543,041 S \* 5/2007 Hara ..... D6/366  
D578,326 S \* 10/2008 Donati ..... D6/716.7

D579,241 S \* 10/2008 Breen ..... D6/716.7  
D648,552 S \* 11/2011 Izawa ..... D6/366  
D649,795 S \* 12/2011 Izawa ..... D6/366  
D653,481 S \* 2/2012 Moreschi ..... D6/716.7  
D670,927 S \* 11/2012 Hurford ..... D6/366  
D707,459 S \* 6/2014 Ma ..... D6/366  
D885,105 S \* 5/2020 Guelfo ..... D6/716.7

**FOREIGN PATENT DOCUMENTS**

KR 30-0840574 2/2016  
KR 30-0860518 6/2016  
KR 30-0861750 7/2016  
TW D186915 12/2017

**OTHER PUBLICATIONS**

Search Report for Design Patent Application ROC (Taiwan) Design Patent Application No. 108301786 dated Jan. 7, 2020. (1 page).

\* cited by examiner

*Primary Examiner* — Mimosa De

(57) **CLAIM**

I claim the ornamental design for a chair, as shown and described.

**DESCRIPTION**

FIG. 1 is a perspective view taken from the front and one side of the chair showing the design;  
FIG. 2 is a right side view thereof;  
FIG. 3 is a left side view thereof;  
FIG. 4 is a perspective view taken from the rear and one side thereof;  
FIG. 5 is a front elevational view thereof;  
FIG. 6 is a rear elevational view thereof; and,  
FIG. 7 is a top plan view thereof.

**1 Claim, 7 Drawing Sheets**

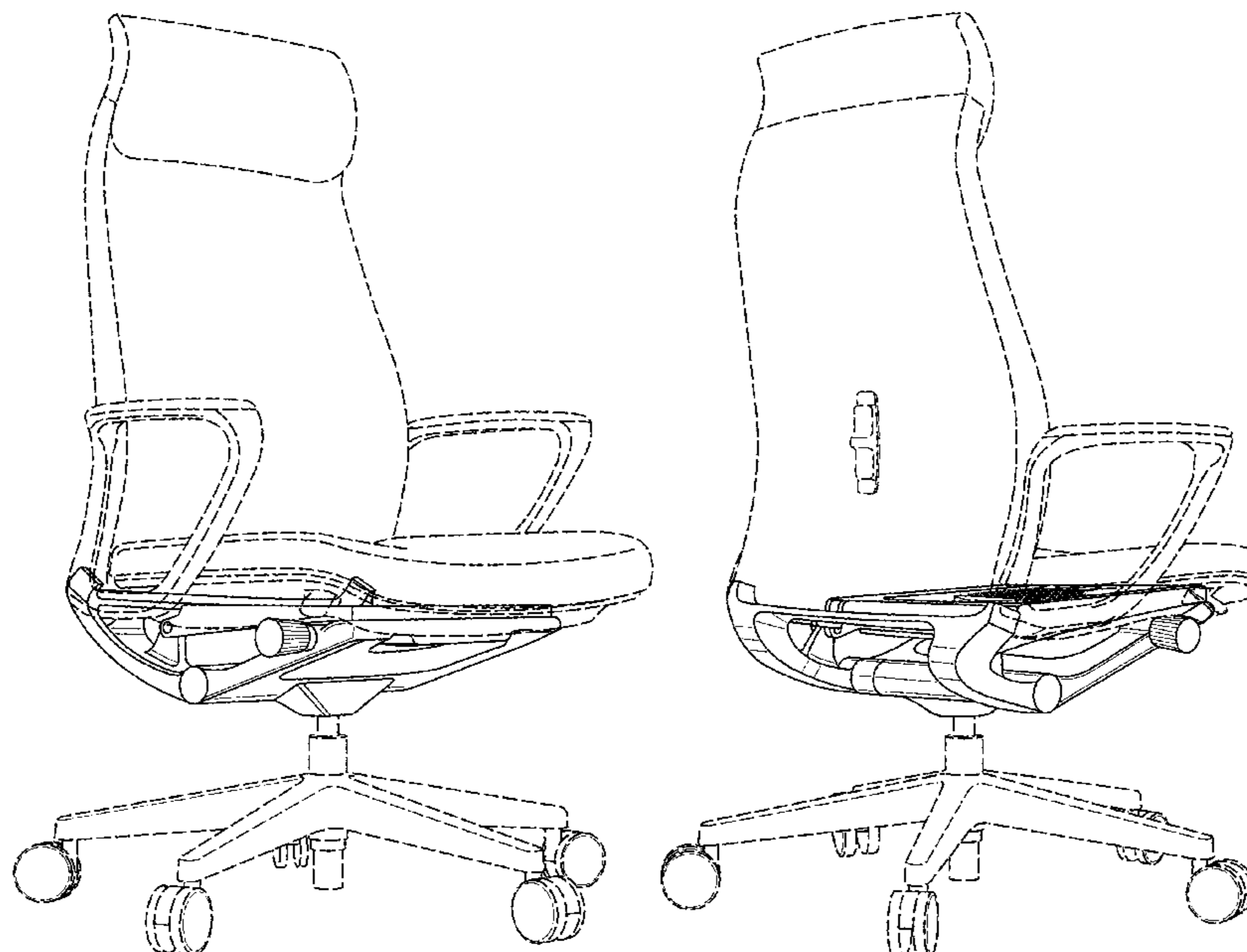


Fig. 1

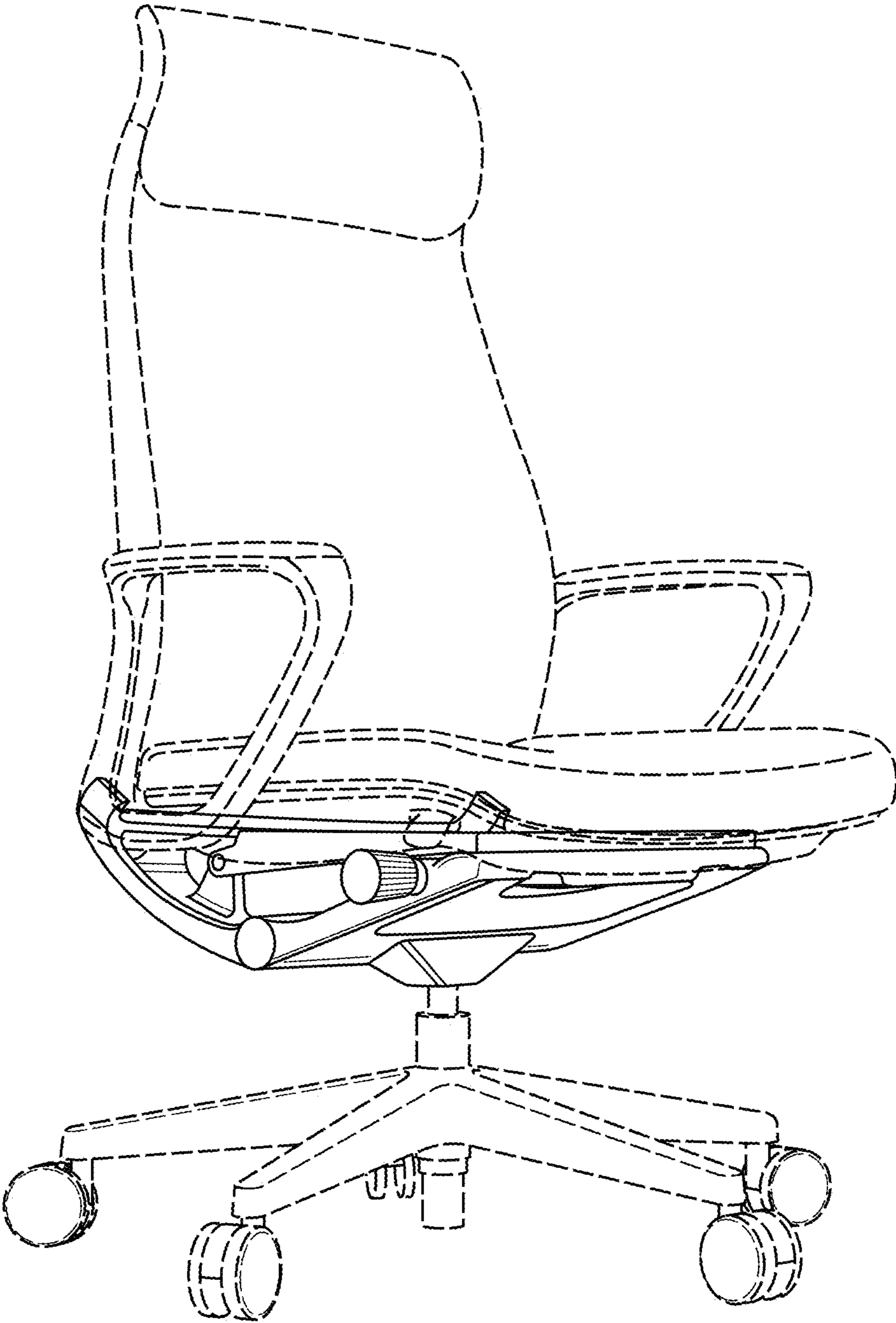


Fig. 2

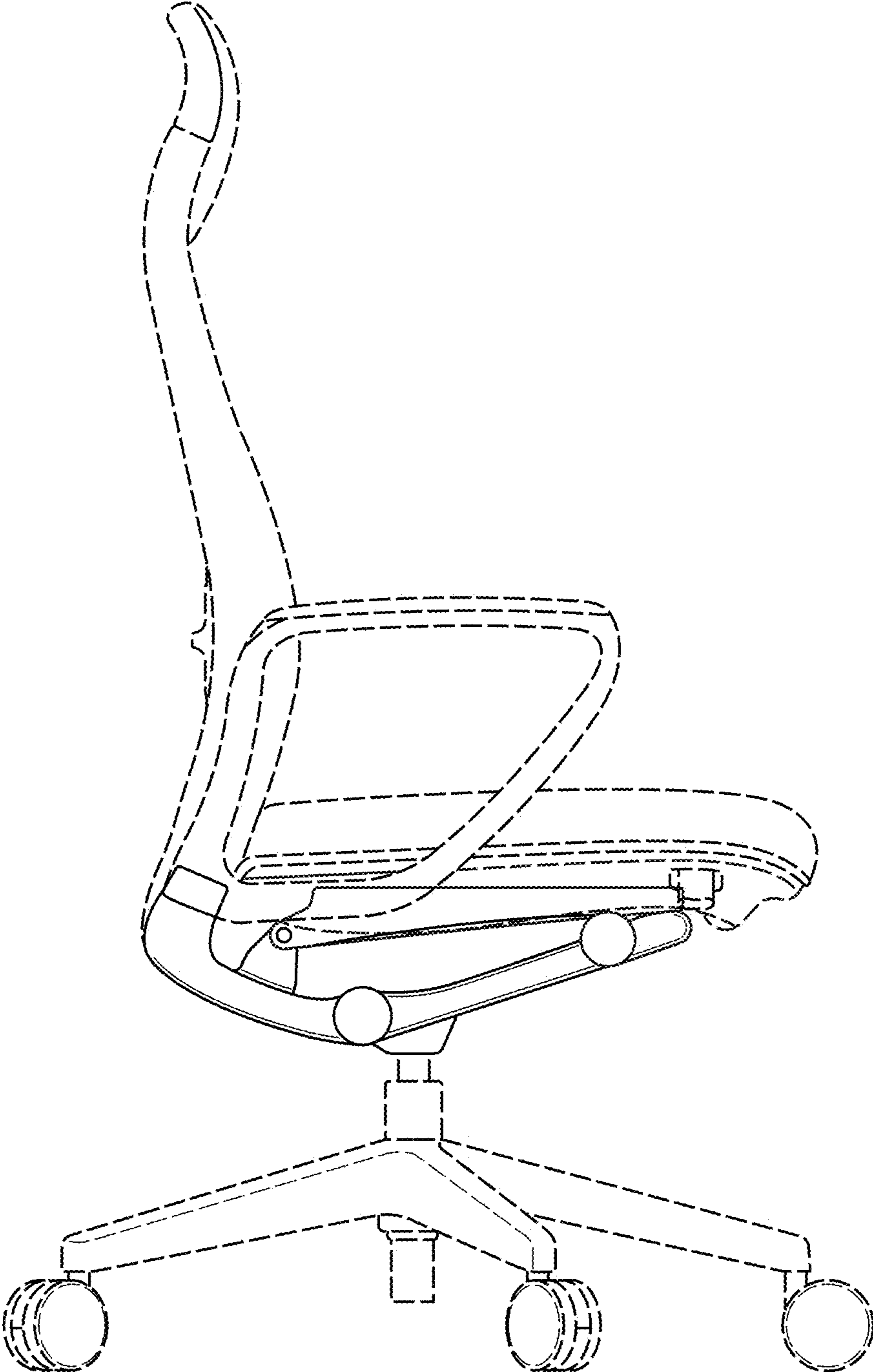


Fig. 3

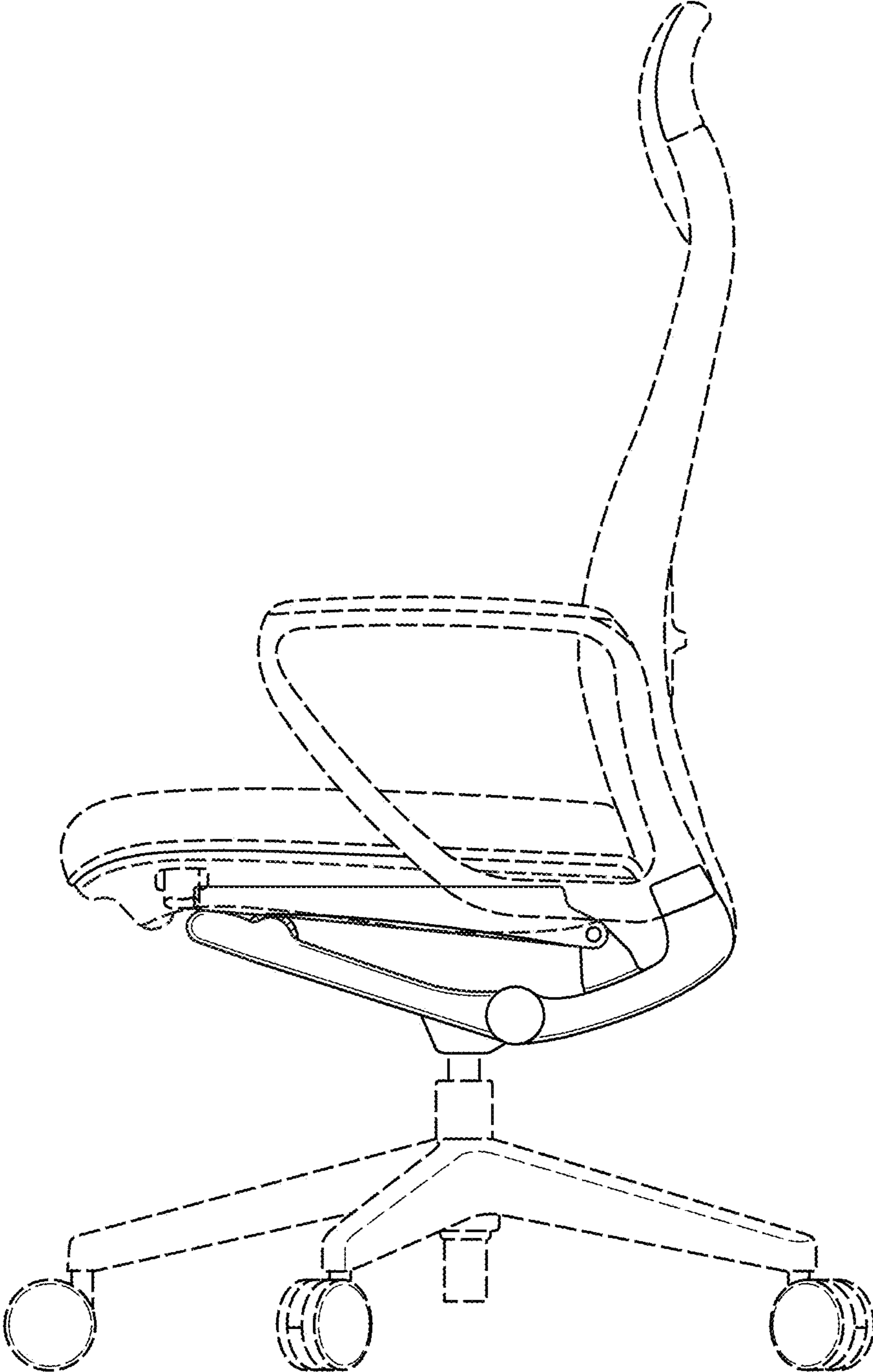




Fig. 4

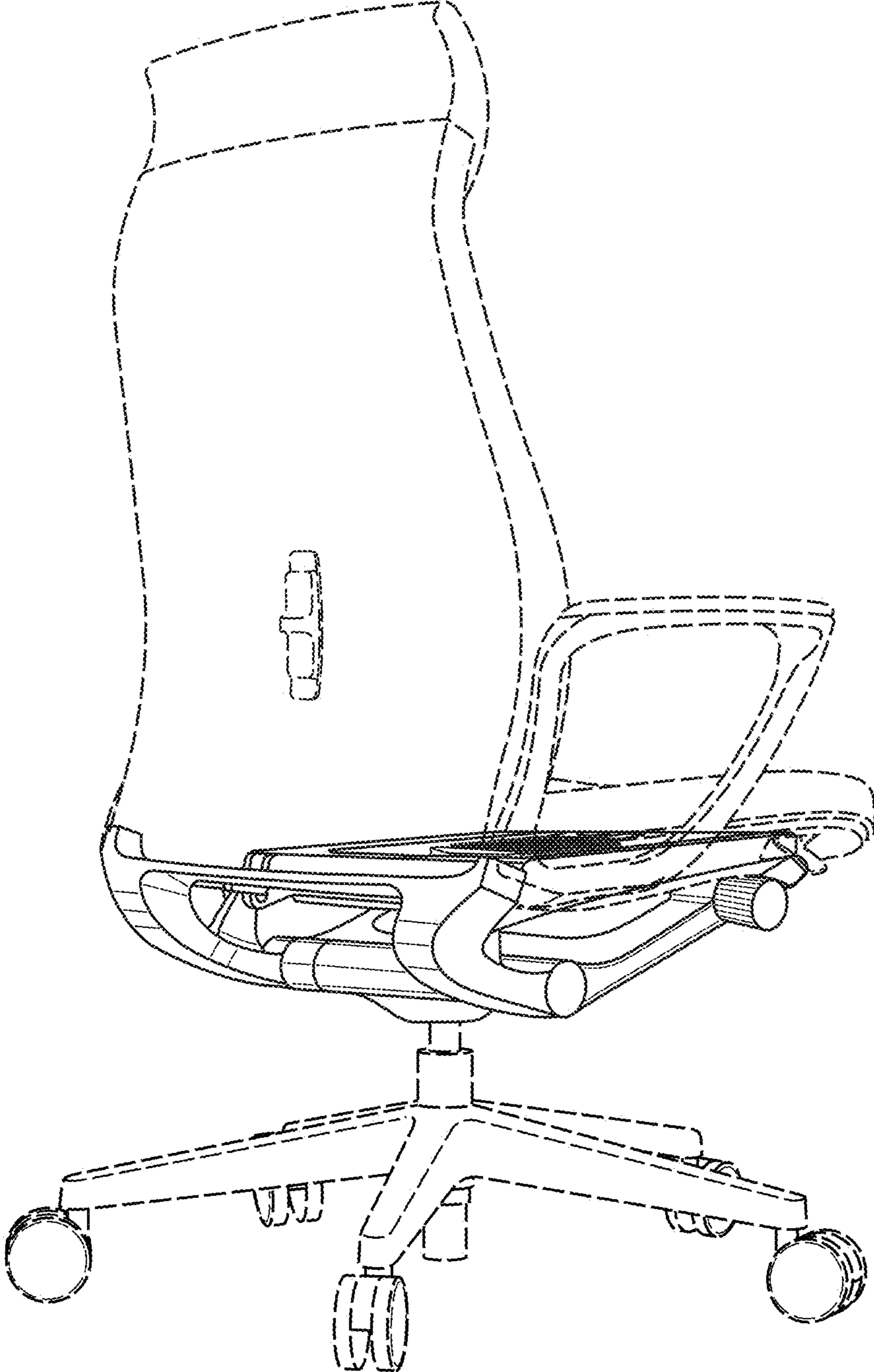


Fig. 5

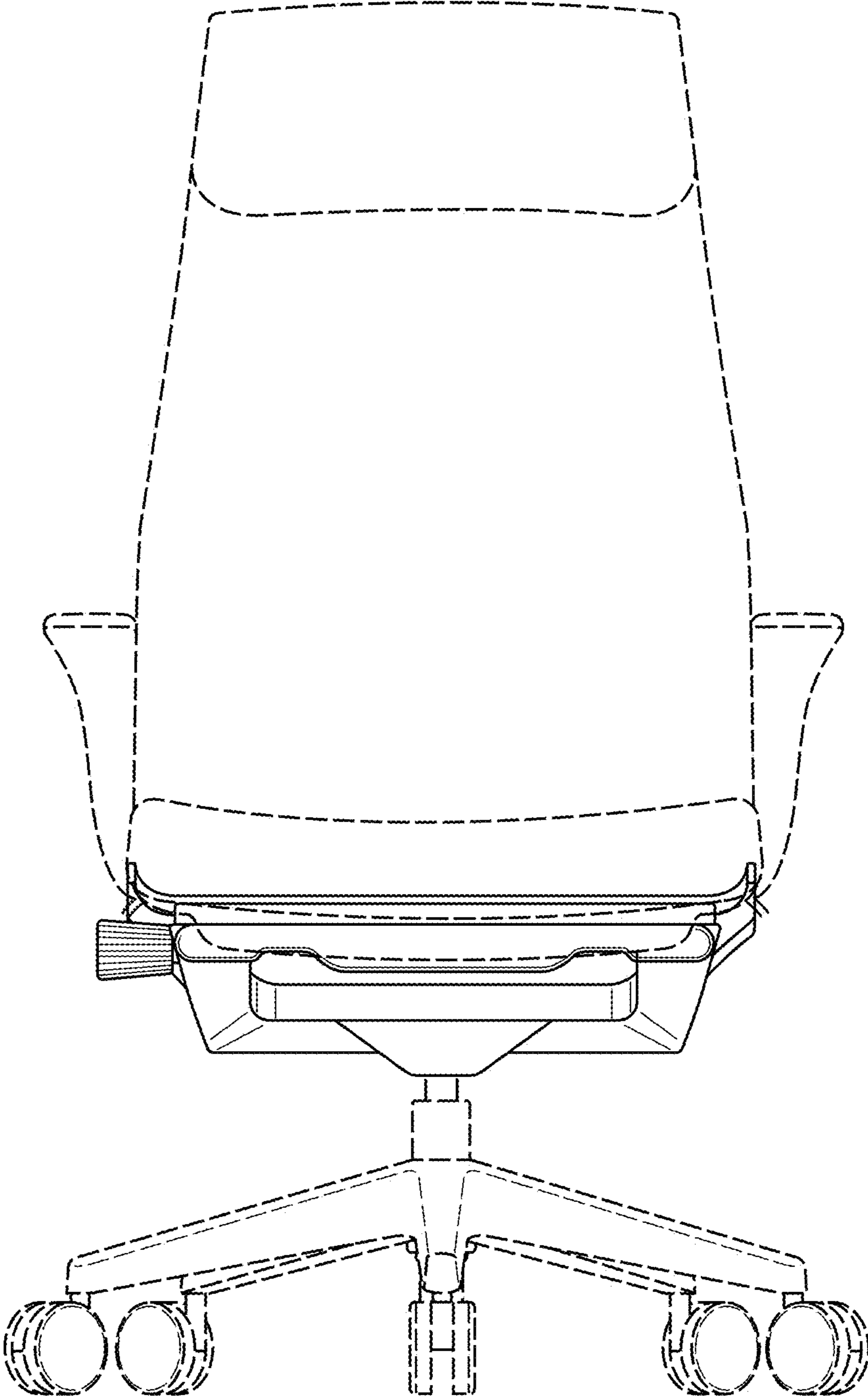


Fig. 6

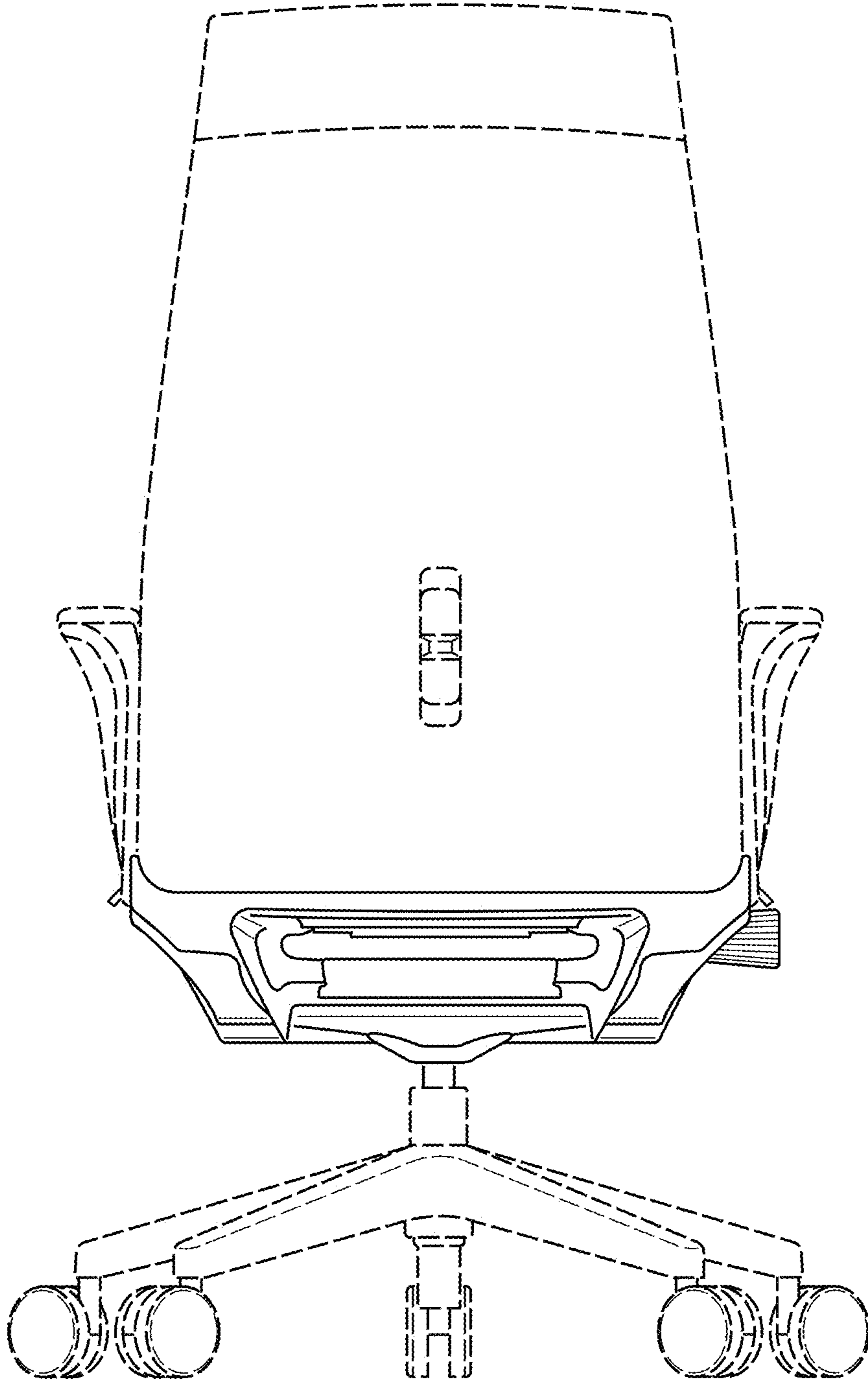


Fig.7

