



US00D900524S

(12) **United States Design Patent** (10) **Patent No.:** **US D900,524 S**  
**Repp** (45) **Date of Patent:** **\*\* Nov. 3, 2020**

(54) **TABLETOP**  
(71) Applicant: **Michael A. Repp**, Ellison Bay, WI (US)  
(72) Inventor: **Michael A. Repp**, Ellison Bay, WI (US)  
(73) Assignee: **FREEDOM ENTERPRISES LLC**, Ellison Bay, WI (US)  
(\*\*) Term: **15 Years**  
(21) Appl. No.: **29/672,561**  
(22) Filed: **Dec. 6, 2018**  
(51) **LOC (12) Cl.** ..... **06-06**  
(52) **U.S. Cl.**  
USPC ..... **D6/707.2**  
(58) **Field of Classification Search**  
USPC ..... D6/349, 352, 534, 552, 680.2, 681.3, D6/682.2, 685, 686, 692, 692.1, 692.3, D6/692.4, 702, 707, 707.18, 707.2; D7/501, 549, 551.1, 553.1, 553.5, 553.6, D7/553.8, 554.2, 600.1, 701, 706, 707; D8/70, 358, 359, 373, 382; D19/85; D21/397; D22/382  
CPC ..... A47G 23/0641; A47G 23/0208; A47G 19/06; A47G 19/2261; A47G 23/02; A47B 73/00; A47B 13/16; A47B 81/04; A47B 37/04  
See application file for complete search history.

(56) **References Cited**  
U.S. PATENT DOCUMENTS  
351,649 A \* 10/1886 Newman ..... A47F 7/0028 211/60.1  
712,824 A \* 11/1902 Masland ..... A47K 1/09 211/65  
D48,739 S \* 3/1916 Somerville ..... D6/681.3  
D81,180 S \* 5/1930 Danco ..... D6/682.2

D234,381 S \* 2/1975 Berger ..... D6/677.1  
D263,780 S \* 4/1982 Hildebrand ..... D6/552  
5,234,125 A \* 8/1993 Roberts ..... A47G 19/065 206/562  
5,471,970 A \* 12/1995 Sakarcian ..... B24D 18/0009 125/15  
D393,391 S \* 4/1998 Lorenz ..... D6/552  
(Continued)

**OTHER PUBLICATIONS**

“Luxury Wine Glass Holder.” Found online Aug. 6, 2020 at www.amazon.com. Product first available Aug. 30, 2018. Retrieved from URL: [https://www.amazon.com/dp/B07GZ6W48W/ref=cm\\_sw\\_r\\_pi\\_dp\\_U\\_x\\_KWg-Cb2TV6NXS](https://www.amazon.com/dp/B07GZ6W48W/ref=cm_sw_r_pi_dp_U_x_KWg-Cb2TV6NXS) (Year: 2018).\*

(Continued)

*Primary Examiner* — Mary Ann Calabrese  
*Assistant Examiner* — Katelin G Kloberg  
(74) *Attorney, Agent, or Firm* — Howard & Howard Attorneys PLLC

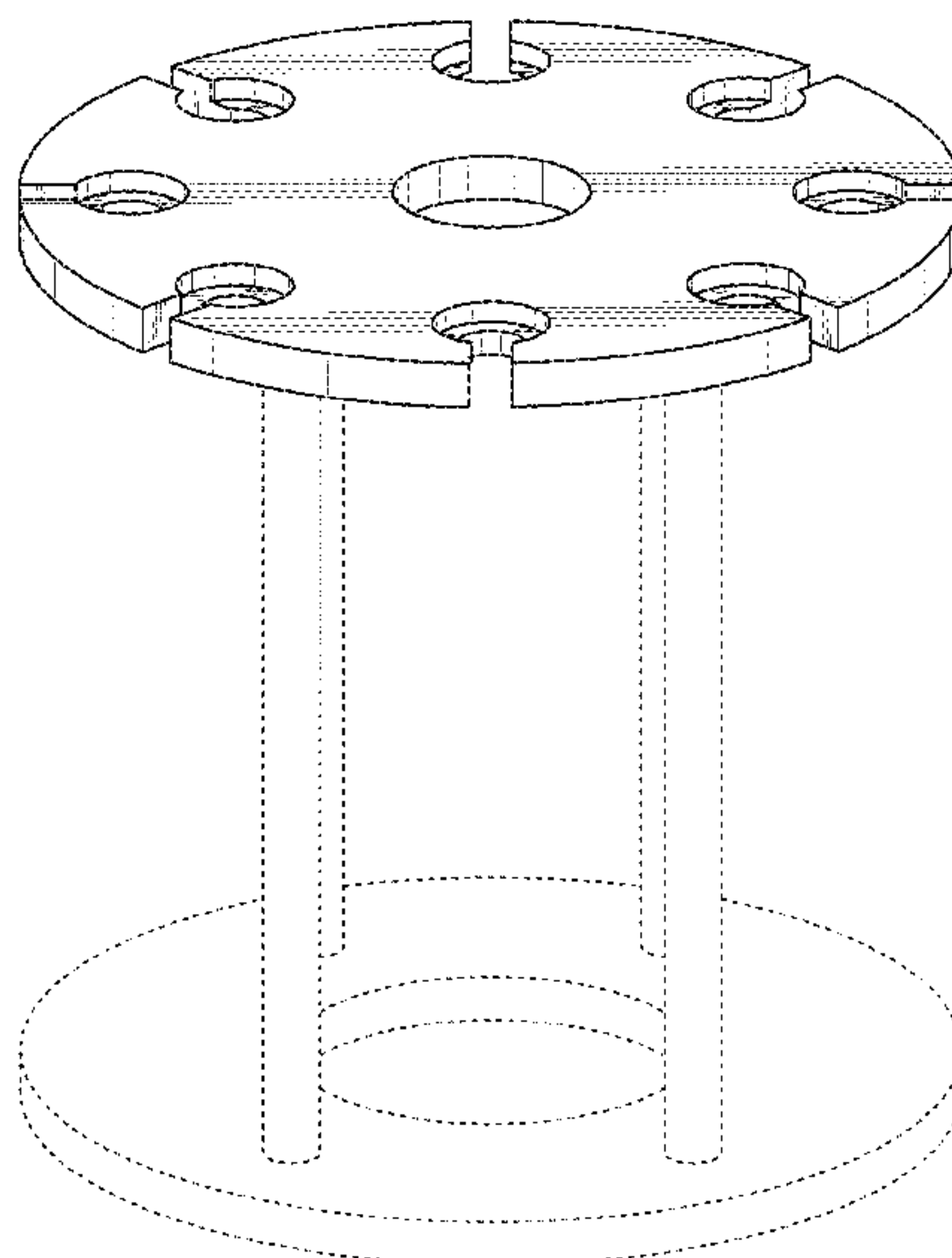
(57) **CLAIM**

The ornamental design for a tabletop, as shown and described.

**DESCRIPTION**

FIG. 1 is a perspective view of a tabletop, showing my new design within an environment of use;  
FIG. 2 is a top plan view of the tabletop of FIG. 1;  
FIG. 3 is a bottom plan view of the tabletop of FIG. 1;  
FIG. 4 is a right side elevation view of the tabletop of FIG. 1, with the left side being identical thereto; and,  
FIG. 5 is an enlarged fragmentary perspective view of the tabletop of FIG. 1, showing one of the notches.  
The broken lines in FIGS. 1 and 4 illustrating a tabletop support stand represents environment of the tabletop and forms no part of the claimed design. The broken lines in FIG. 3 depict portions of the tabletop that form no part of the claimed design.

**1 Claim, 3 Drawing Sheets**



(56)

References Cited

U.S. PATENT DOCUMENTS

6,102,321 A \* 8/2000 Clary ..... B25B 25/00  
 211/119.15  
 D442,830 S \* 5/2001 Raucci ..... D7/553.5  
 D445,619 S \* 7/2001 Achey ..... D6/707.2  
 D474,057 S \* 5/2003 Knox ..... D6/534  
 D474,362 S \* 5/2003 Callamari ..... D6/552  
 D493,056 S \* 7/2004 Shornak ..... D6/552  
 D503,609 S \* 4/2005 Robbins, III ..... D14/484  
 D511,941 S \* 11/2005 McGuyer ..... D7/600.1  
 D513,948 S \* 1/2006 Martin ..... D7/600.4  
 7,334,908 B1 \* 2/2008 Figueroa ..... A47G 23/0208  
 362/101  
 D563,726 S \* 3/2008 Fraser ..... D7/553.1  
 D585,668 S \* 2/2009 Fagen ..... D6/681.3  
 D594,280 S \* 6/2009 Wolhendler ..... D7/549  
 D604,993 S \* 12/2009 Vernes ..... D7/545  
 D623,478 S \* 9/2010 Hayashi ..... D7/551.1  
 D639,095 S \* 6/2011 Kraemer ..... D6/534  
 D651,028 S \* 12/2011 Grimaldi ..... D6/707.2  
 D656,343 S \* 3/2012 Grimaldi ..... D6/686  
 D656,344 S \* 3/2012 Grimaldi ..... D6/686  
 D656,345 S \* 3/2012 Grimaldi ..... D6/686  
 D725,999 S \* 4/2015 Wu ..... D8/373  
 D742,178 S \* 11/2015 Shames ..... D7/554.2  
 9,220,337 B1 \* 12/2015 Wenzel ..... A47B 13/023  
 D766,665 S \* 9/2016 Shames ..... D7/554.2  
 D786,593 S \* 5/2017 Almaghlouth ..... D6/692.4

9,839,311 B2 \* 12/2017 Shames ..... A47G 19/065  
 D808,222 S \* 1/2018 Shames ..... D7/554.2  
 D825,997 S \* 8/2018 Dolinsky ..... D7/553.6  
 D831,444 S \* 10/2018 Gu ..... D7/701  
 D836,719 S \* 12/2018 Smith ..... D19/85  
 D871,811 S \* 1/2020 Xu ..... D6/692.3  
 2005/0218144 A1 \* 10/2005 Price ..... A47G 19/06  
 220/574  
 2012/0031806 A1 \* 2/2012 Riley ..... A47G 23/0633  
 206/563

OTHER PUBLICATIONS

“Bambusi Portable Picnic Board with Utensils.” Found online Aug. 6, 2020 at [www.amazon.com](http://www.amazon.com). Product first available Aug. 16, 2018. Retrieved from URL: <https://www.amazon.com/Bamboo-Cutlery-Outdoor-Camping-Entertaining/dp/B07GK1MTL2> (Year: 2018).\*  
 “Cup Holder Wine Cabinet Six Cups Glass Cup Holder.” Found online Aug. 6, 2020 at [articulo.mercadolibre.com](http://articulo.mercadolibre.com). Page dated Nov. 27, 2017. Retrieved from URL: [https://articulo.mercadolibre.com.ar/MLA-680147644-porta-copas-mueble-vino-seis-copas-vidrio-copero-portacopas-\\_JM](https://articulo.mercadolibre.com.ar/MLA-680147644-porta-copas-mueble-vino-seis-copas-vidrio-copero-portacopas-_JM) (Year: 2017).\*  
 “Outdoor Wine Table.” Found online Aug. 6, 2020 at [www.etsy.com](http://www.etsy.com). Product reviewed Aug. 9, 2018. Retrieved from URL: <https://www.etsy.com/listing/481947598/outdoor-wine-table-folding-wine-table> (Year: 2018).\*

\* cited by examiner

FIG. 1

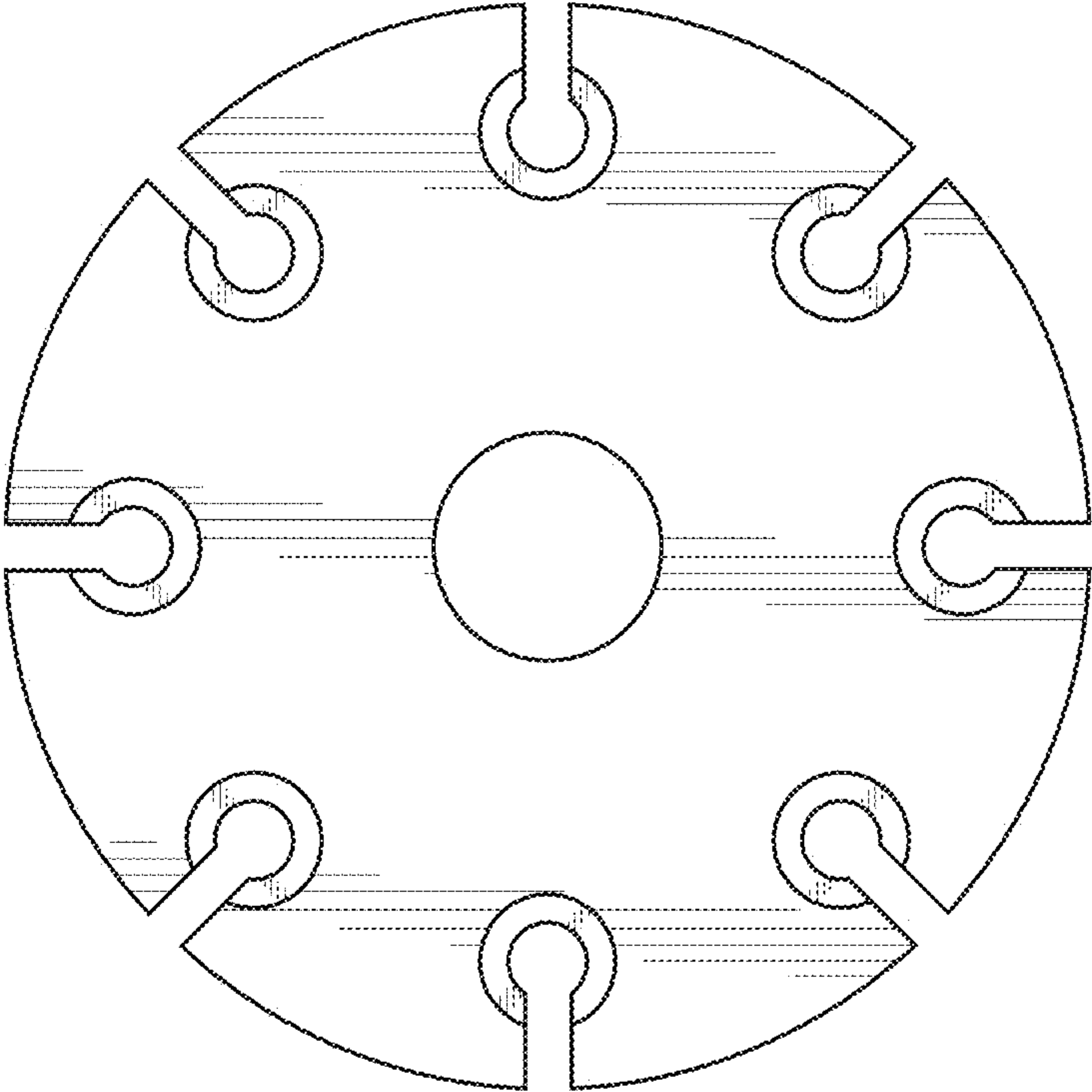
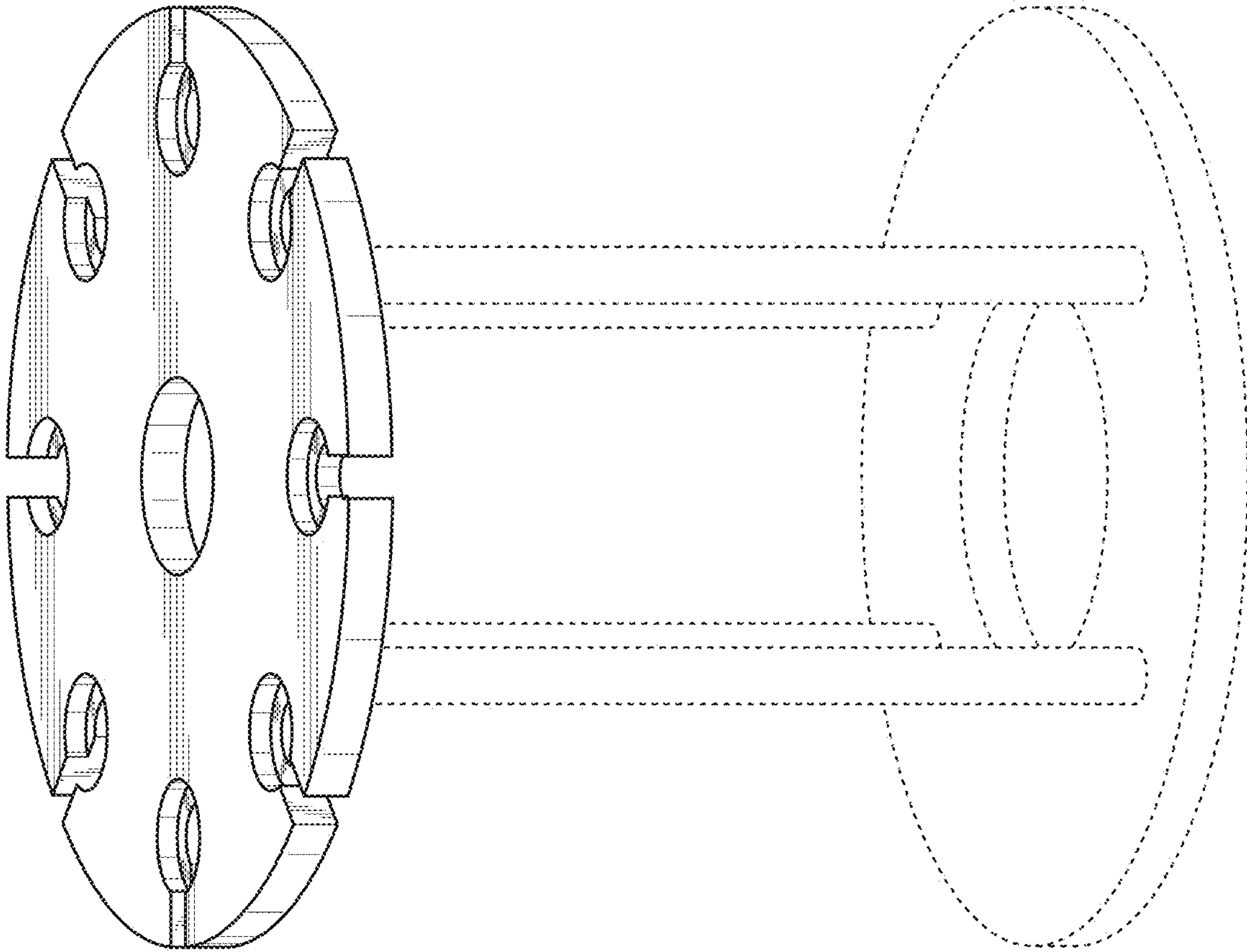
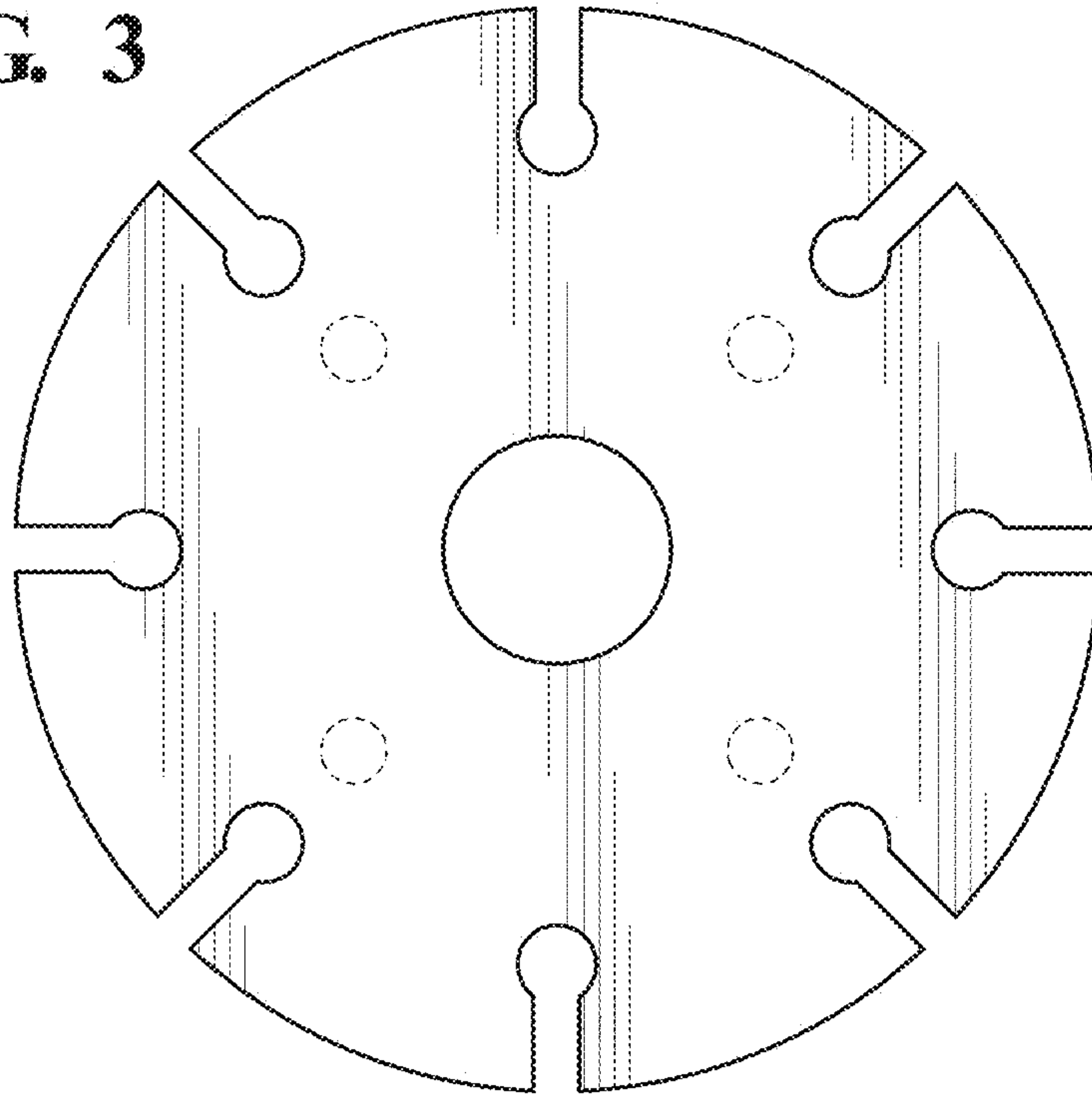
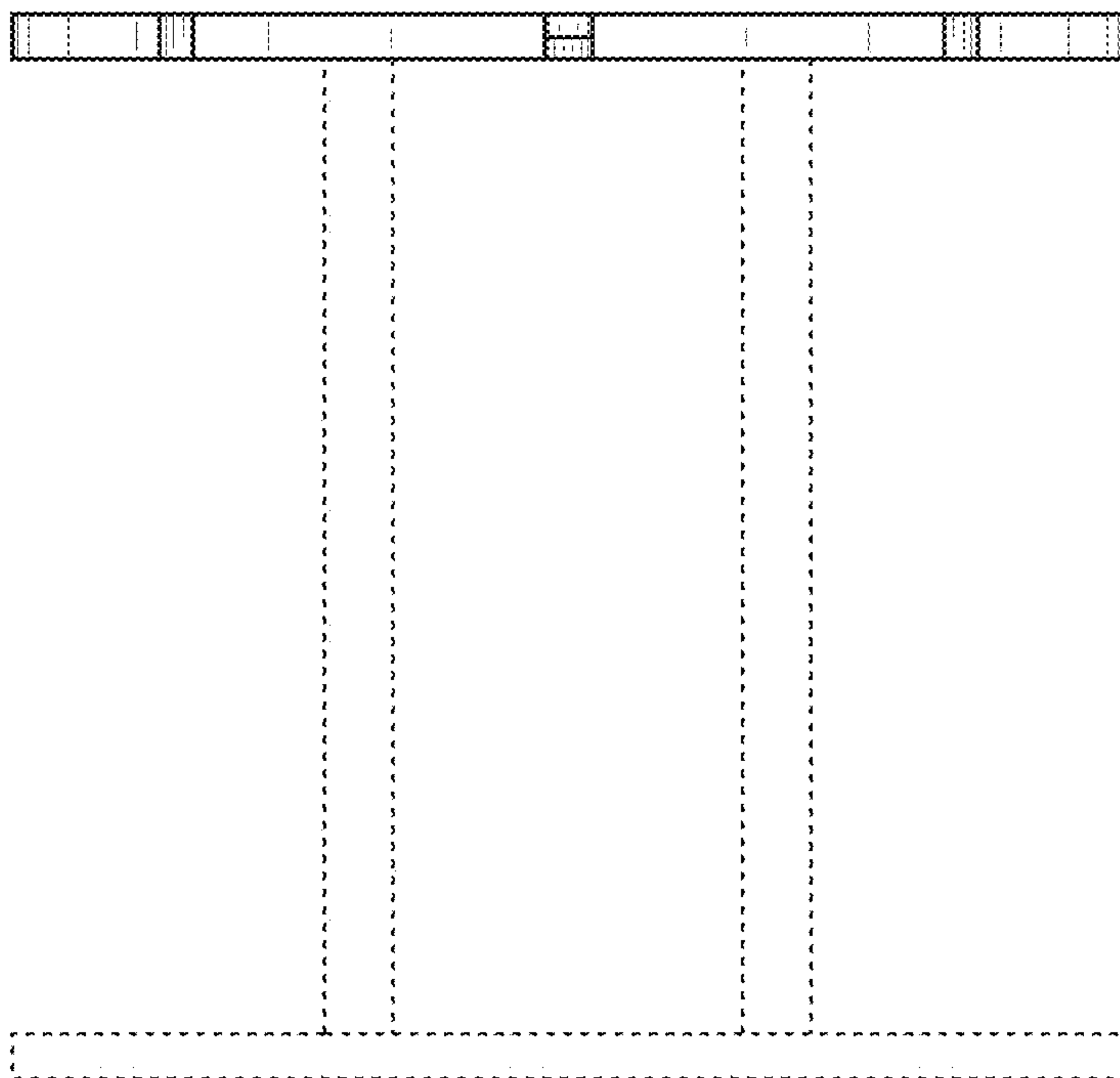


FIG. 2

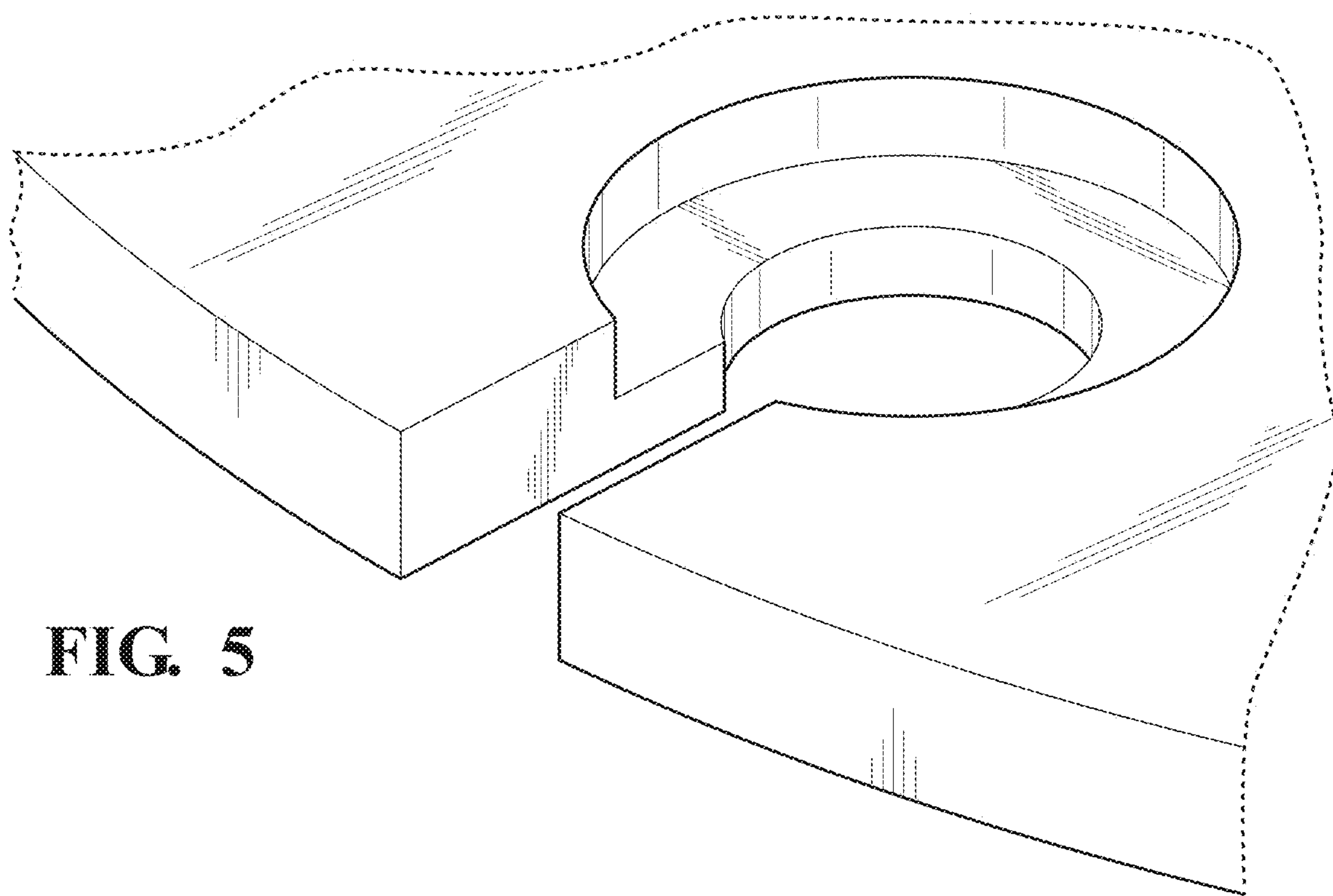
**FIG. 3**



**FIG. 4**







**FIG. 5**