



US00D900523S

(12) **United States Design Patent**
Kim et al.

(10) **Patent No.:** **US D900,523 S**
(45) **Date of Patent:** **** Nov. 3, 2020**

(54) **COMPACT KITCHEN UNIT**

(71) Applicant: **LG ELECTRONICS INC.**, Seoul (KR)

(72) Inventors: **Hyunki Kim**, Seoul (KR); **Kyukwan Choi**, Seoul (KR); **Wonsang Choi**, Seoul (KR)

(73) Assignee: **LG ELECTRONICS INC.**, Seoul (KR)

(**) Term: **15 Years**

(21) Appl. No.: **35/507,435**

(22) Filed: **Nov. 22, 2018**

(80) **Hague Agreement Data**

Int. Filing Date: **Nov. 22, 2018**
Int. Reg. No.: **DM/202709**
Int. Reg. Date: **Nov. 22, 2018**
Int. Reg. Pub. Date: **Sep. 13, 2019**

(30) **Foreign Application Priority Data**

May 23, 2018 (KR) 30-2018-0023945

(51) **LOC (12) Cl.** **06-06**

(52) **U.S. Cl.**
USPC **D6/705**

(58) **Field of Classification Search**

USPC D6/663, 668.1, 668.2, 671, 371.2, 698, D6/699, 699.2, 702, 703, 704, 705
CPC A47B 37/00; A47B 53/00; A47B 53/02; A47B 55/00; A47B 71/00; A47B 77/00; A47B 88/00; A47B 88/40; A47B 96/00; A47F 3/00; A47F 3/0404; A47F 3/043
See application file for complete search history.

(56) **References Cited**

U.S. PATENT DOCUMENTS

D127,588 S * 6/1941 Owen D6/657
D154,419 S * 7/1949 Mushta F25D 23/10
D6/667

D214,925 S * 8/1969 Provest D6/667
D229,663 S * 12/1973 Morita D32/37
D291,511 S * 8/1987 Lies A47B 31/02
D6/668
D325,478 S * 4/1992 Ward D6/671.1
D437,148 S * 2/2001 Base D27/189
D610,829 S * 3/2010 Nelsen D6/664
D817,366 S * 5/2018 Kim D15/79
10,485,341 B2 * 11/2019 Dash A47B 31/02
2013/0327064 A1 * 12/2013 Stein F25D 23/10
62/3.6

* cited by examiner

Primary Examiner — Mary Ann Calabrese

(74) *Attorney, Agent, or Firm* — Birch, Stewart, Kolasch & Birch, LLP

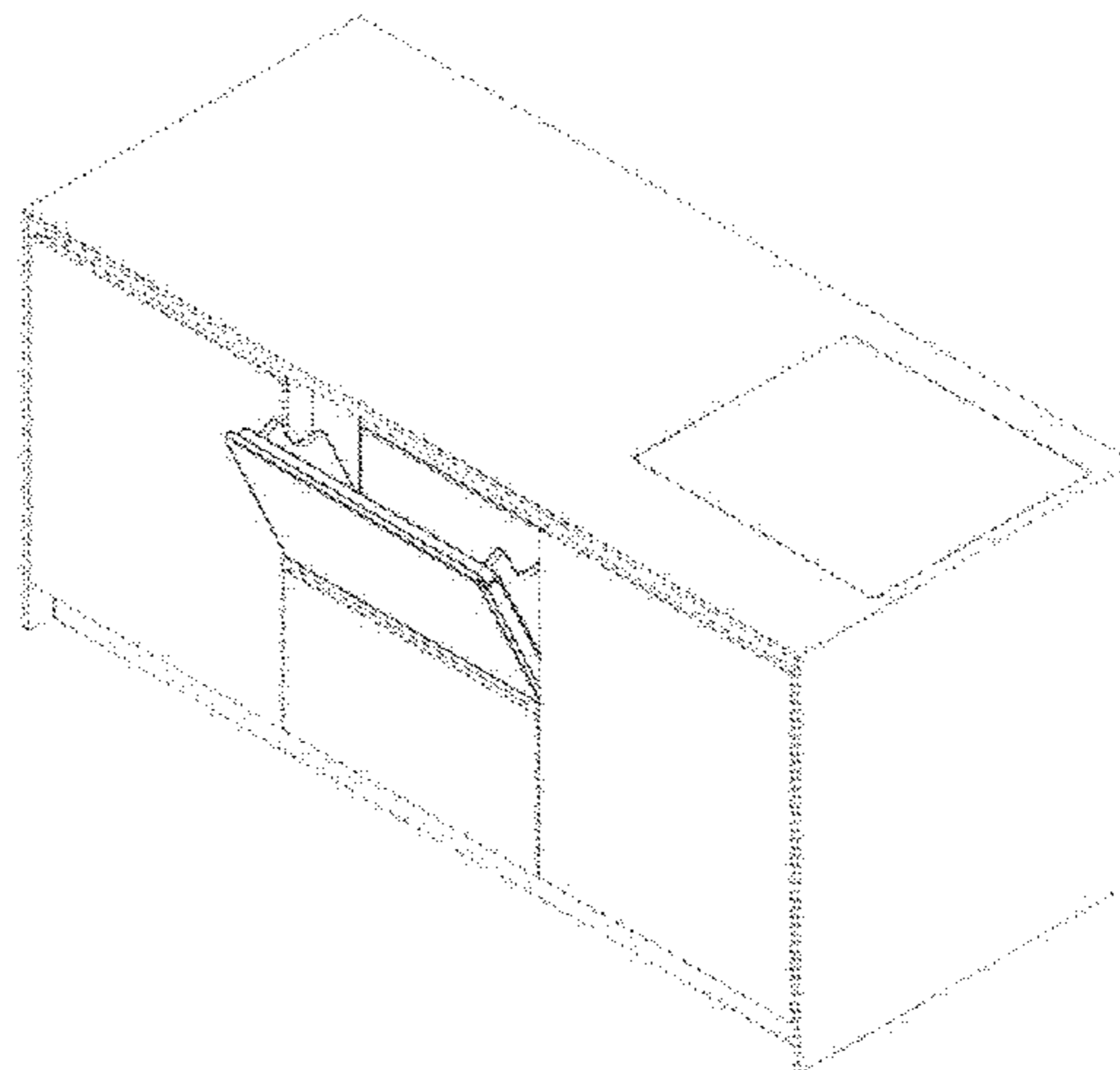
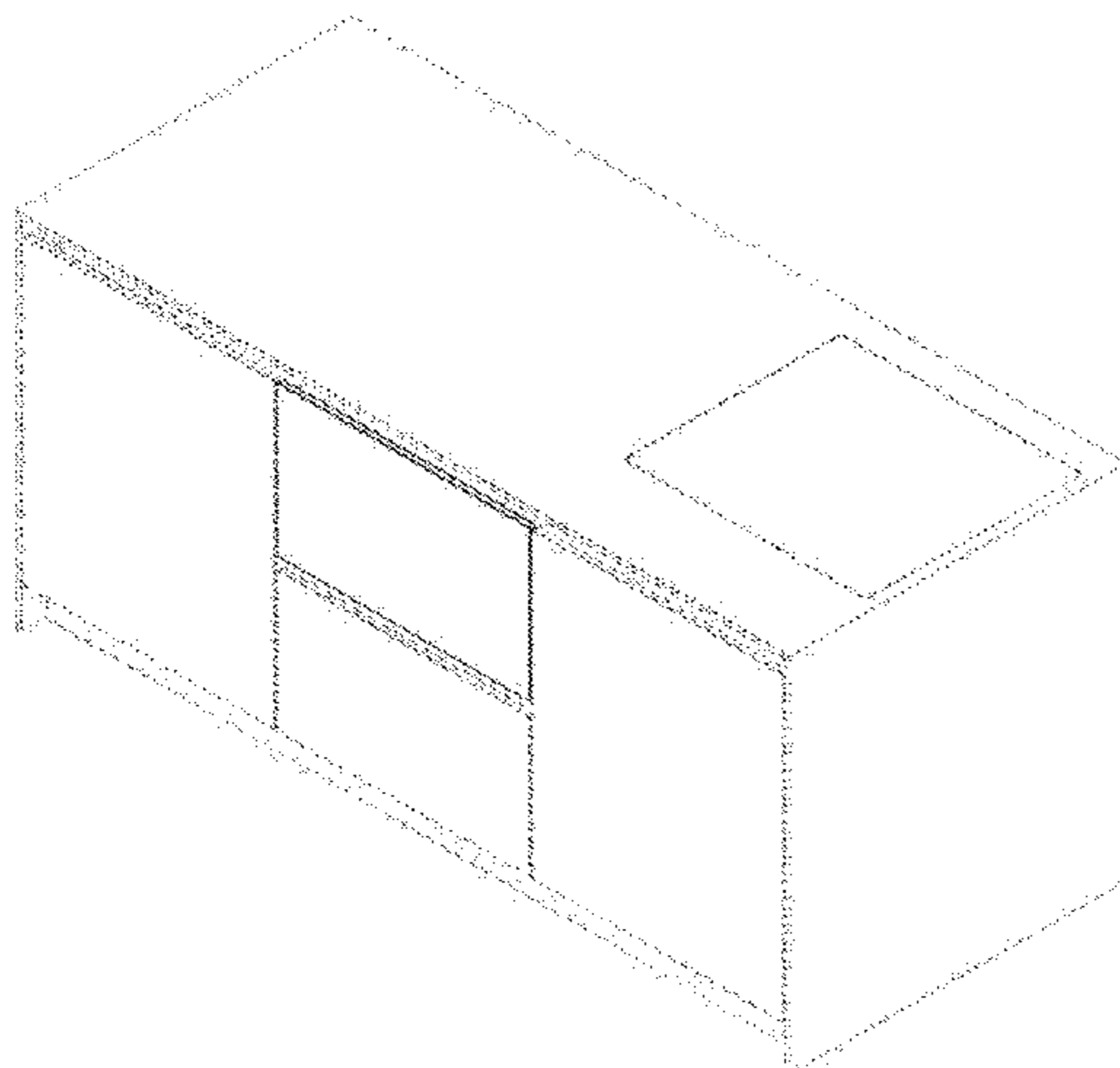
(57) **CLAIM**

The ornamental design for compact kitchen unit, as shown and described.

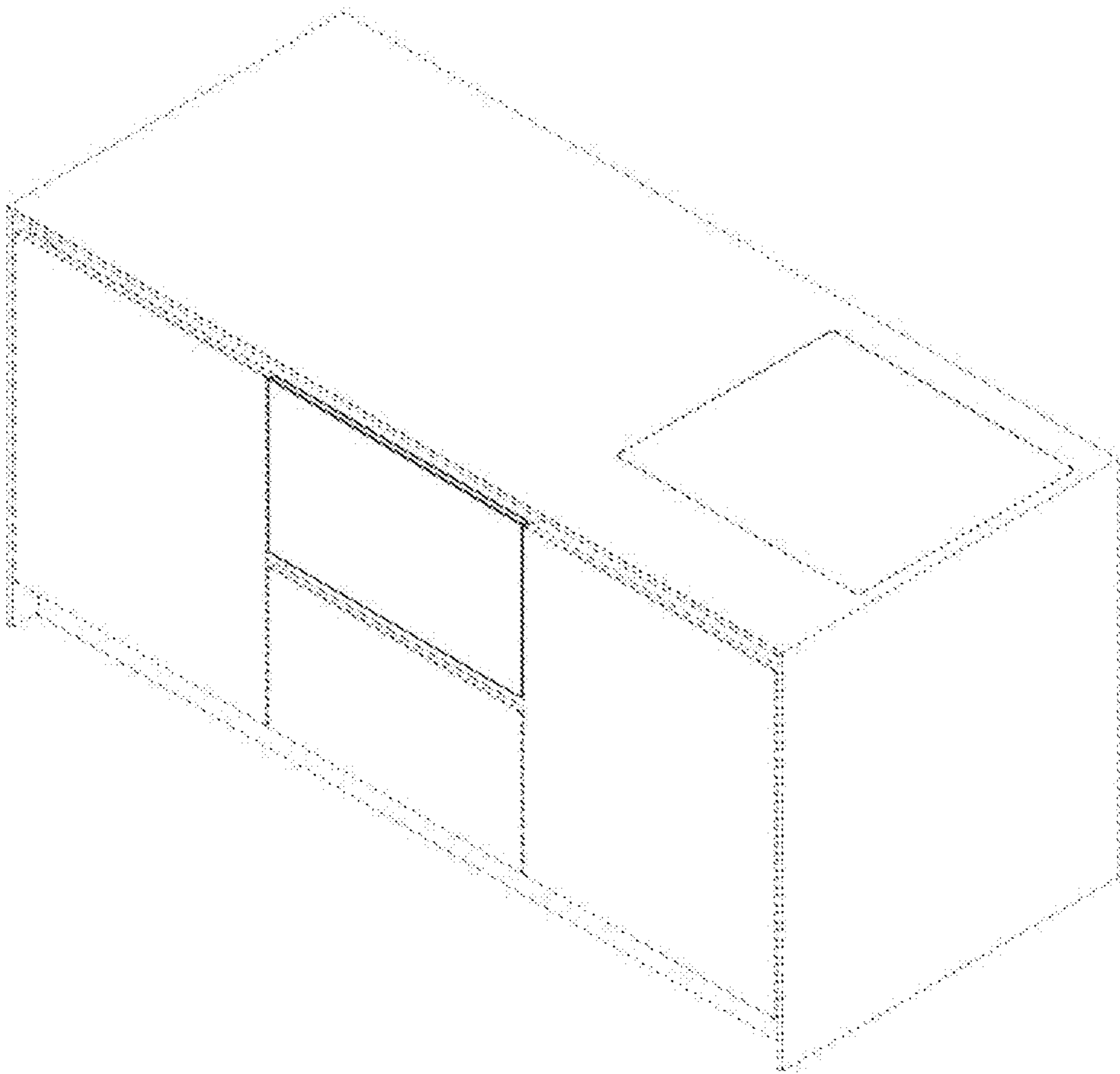
DESCRIPTION

1. Compact kitchen unit
1.1 is a perspective view.
1.2 is a front view.
1.3 is a rear view.
1.4 is a left view.
1.5 is a right view.
1.6 is a top view.
1.7 is a bottom view.
1.8 is a perspective view shown in an open position.
1.9 is a front view shown in an open position.
1.10 is a rear view.
1.11 is a left view shown in an open position.
1.12 is a right view shown in an open position.
1.13 is a top view shown in an open position.
1.14 is a bottom view shown in an open position.
The broken lines indicate portions of the article that form no part of the claimed design.

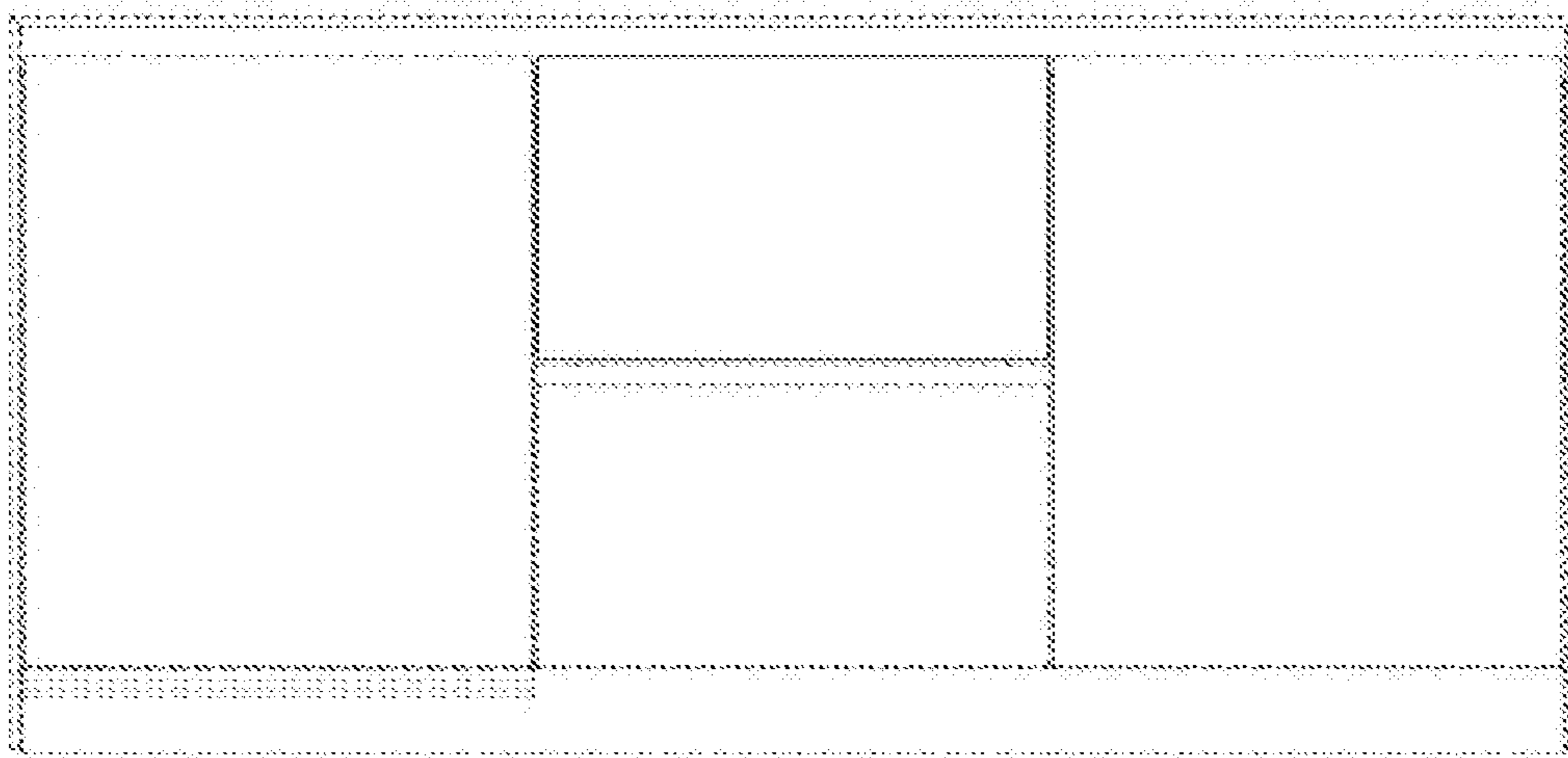
1 Claim, 14 Drawing Sheets



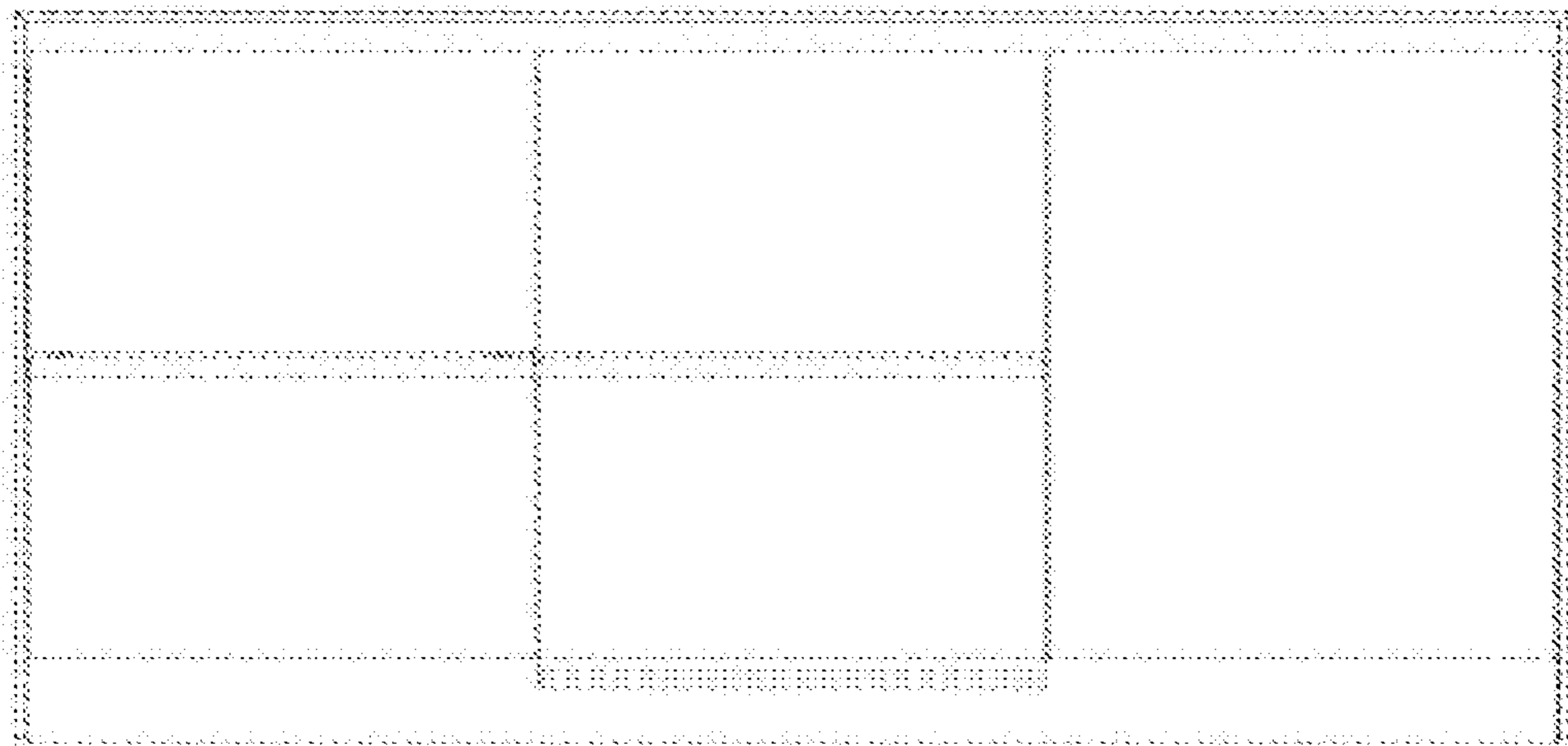
1.1



1.2



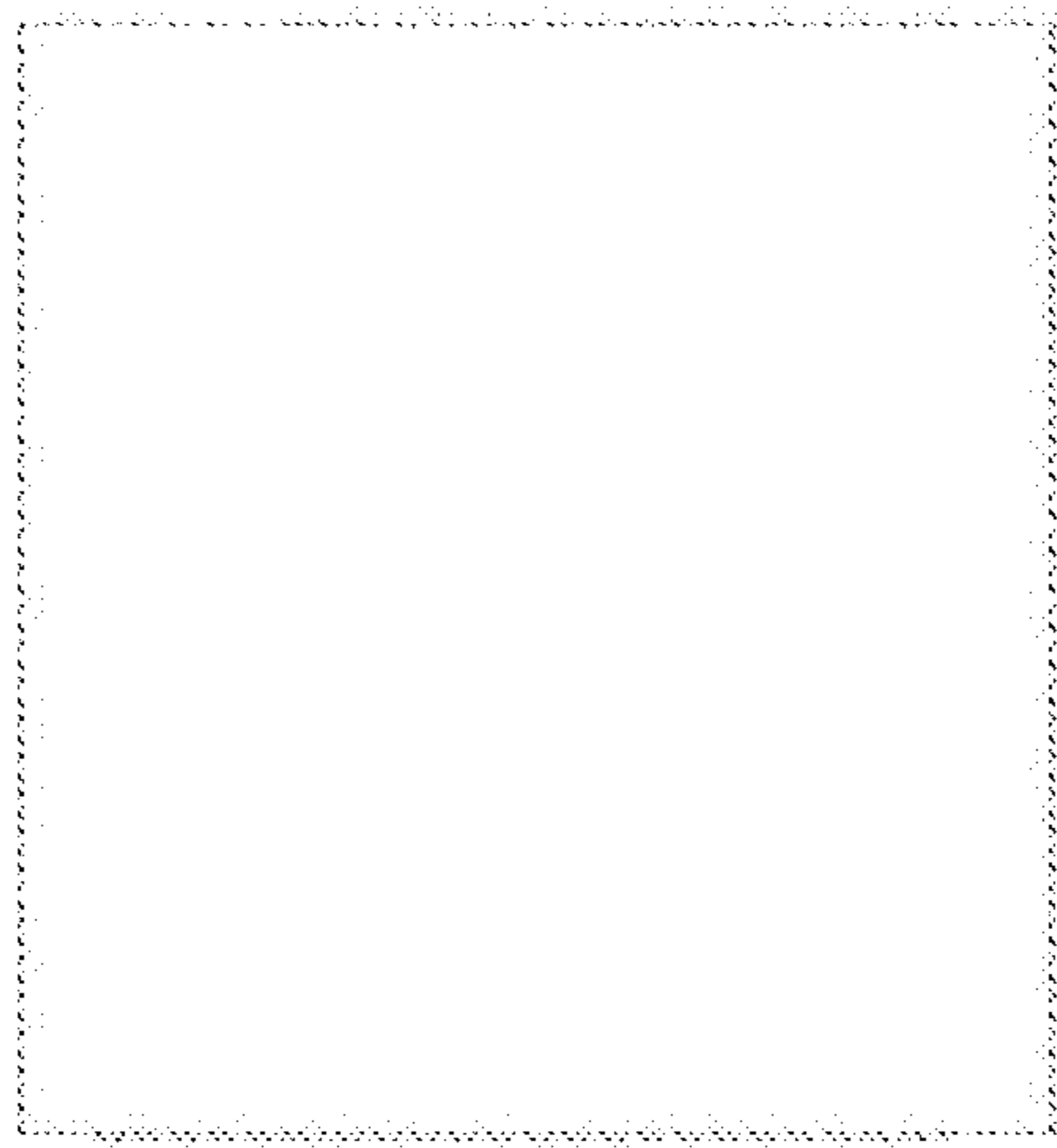
1.3



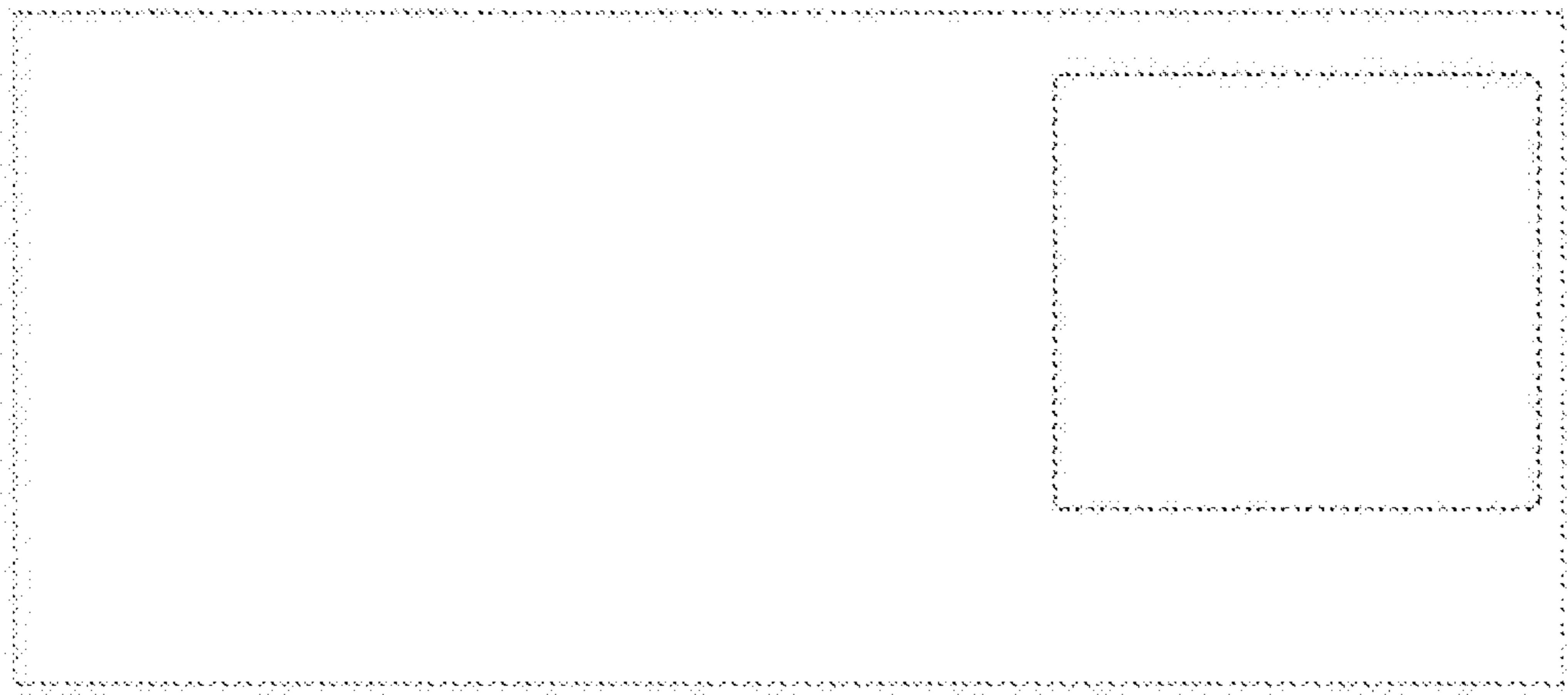
1.4



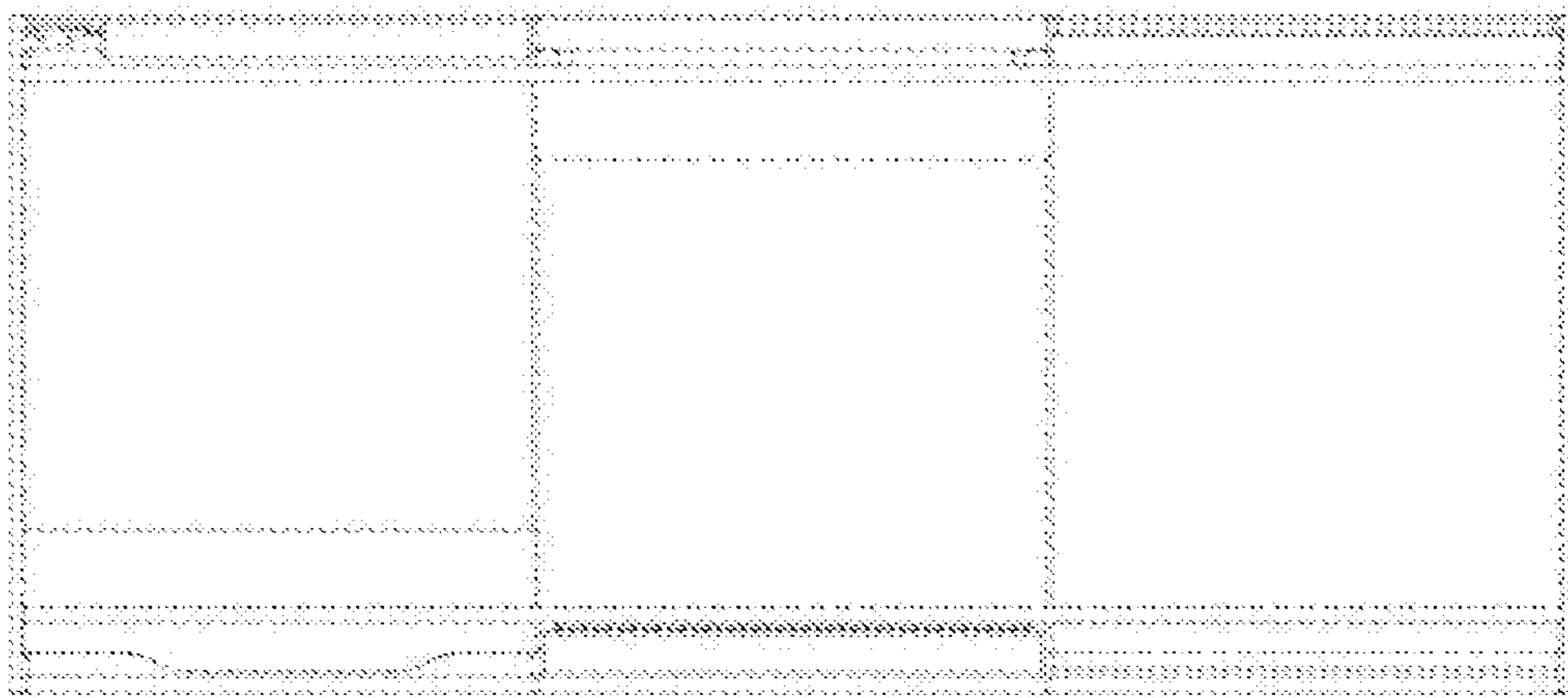
1.5



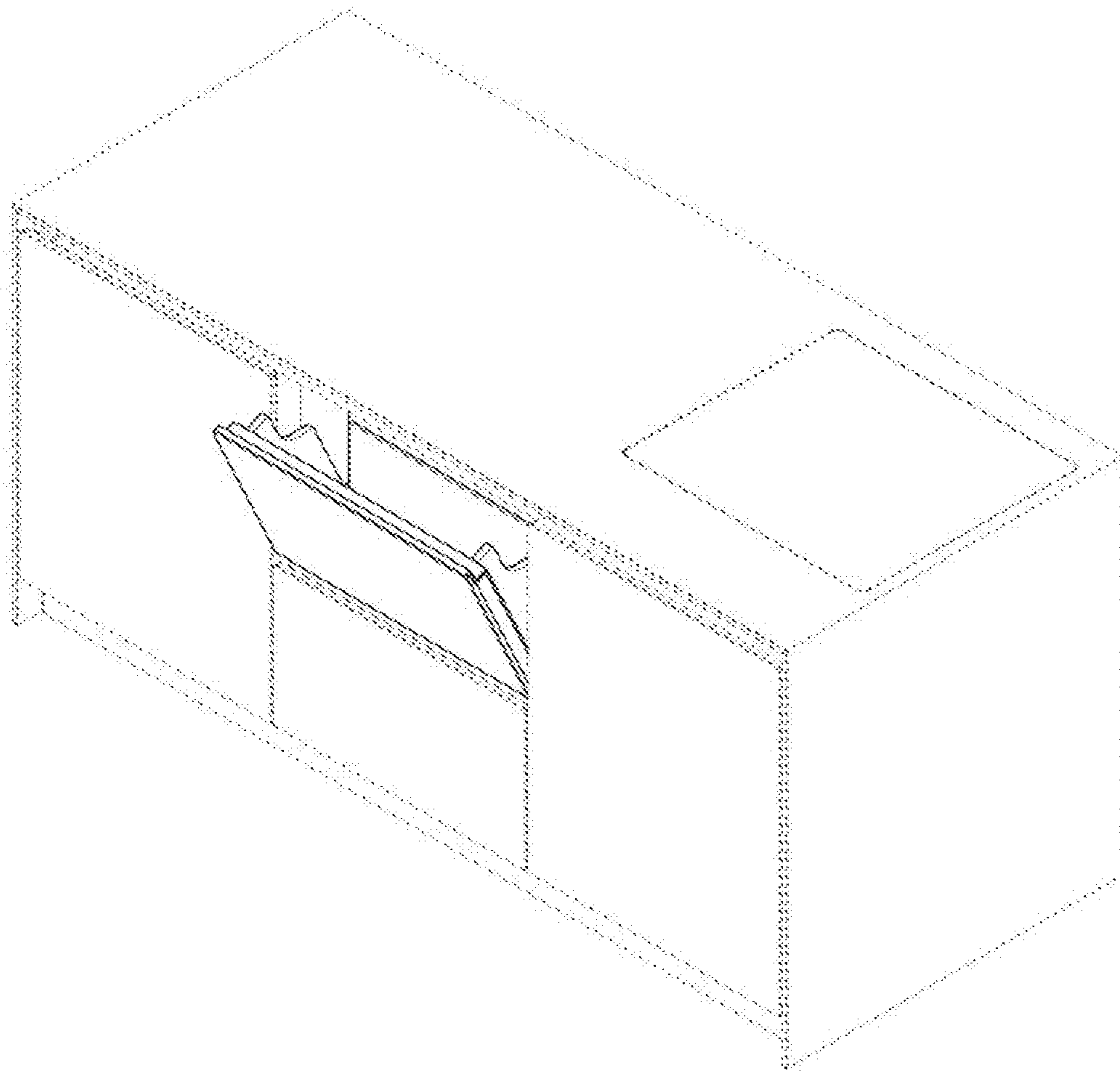
1.6



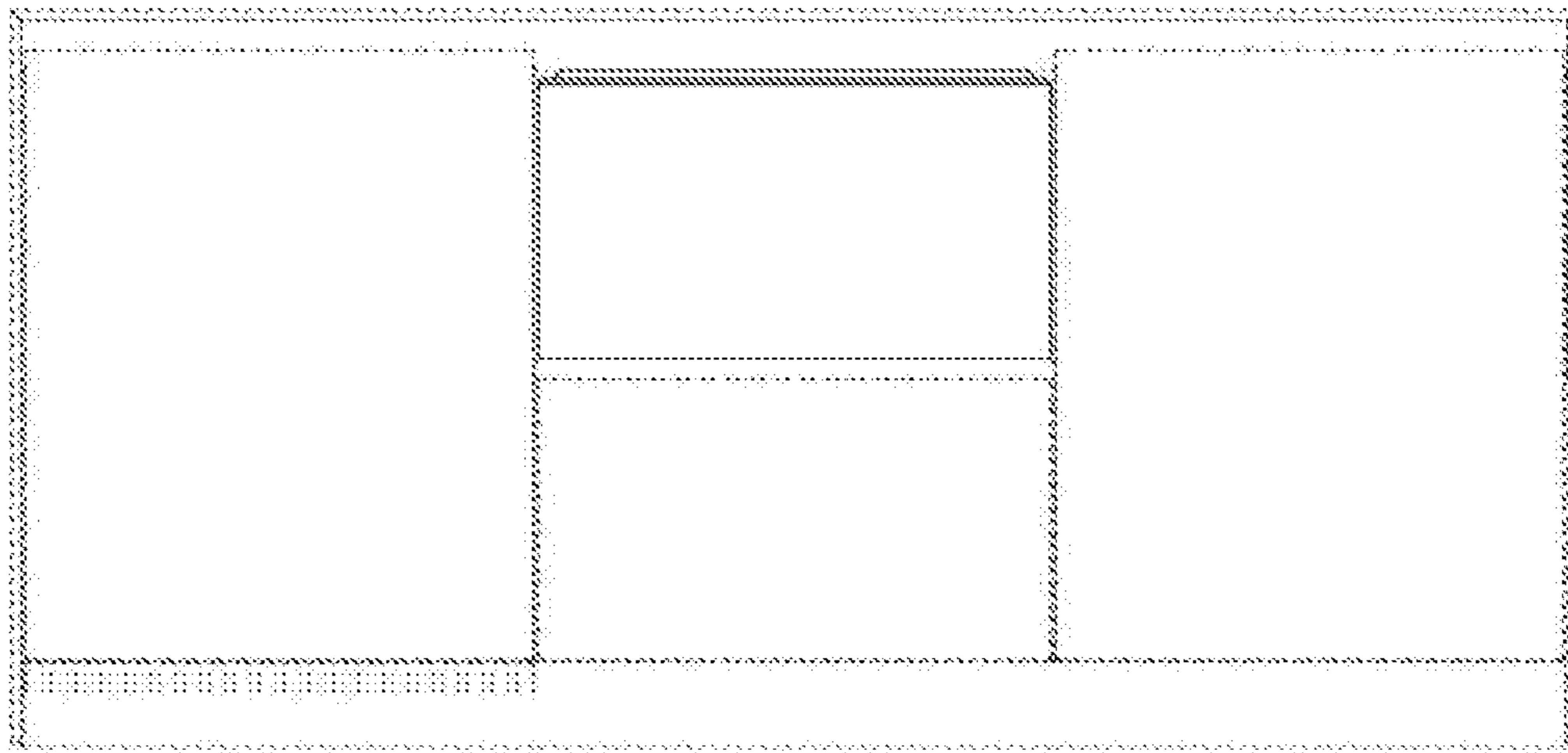
1.7



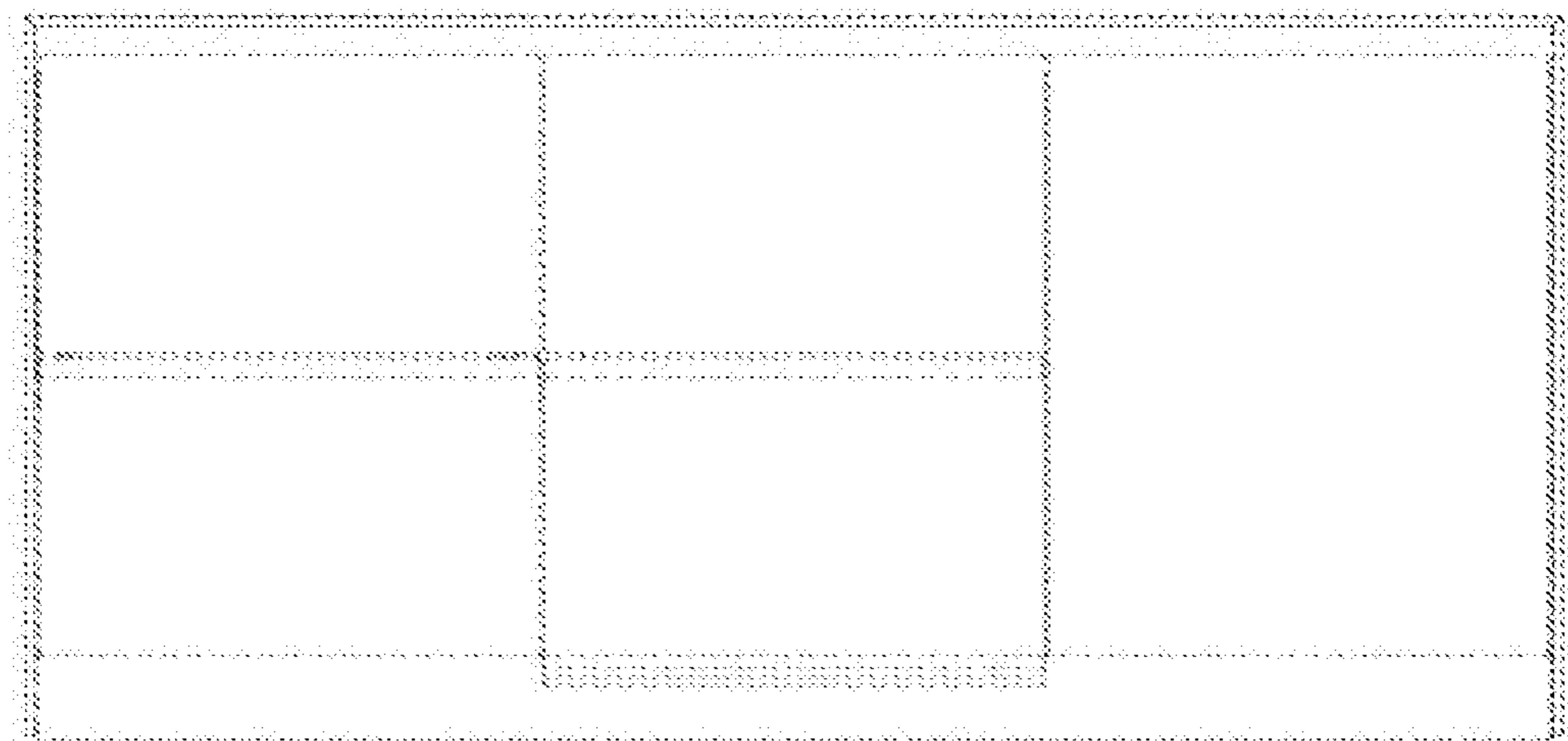
1.8



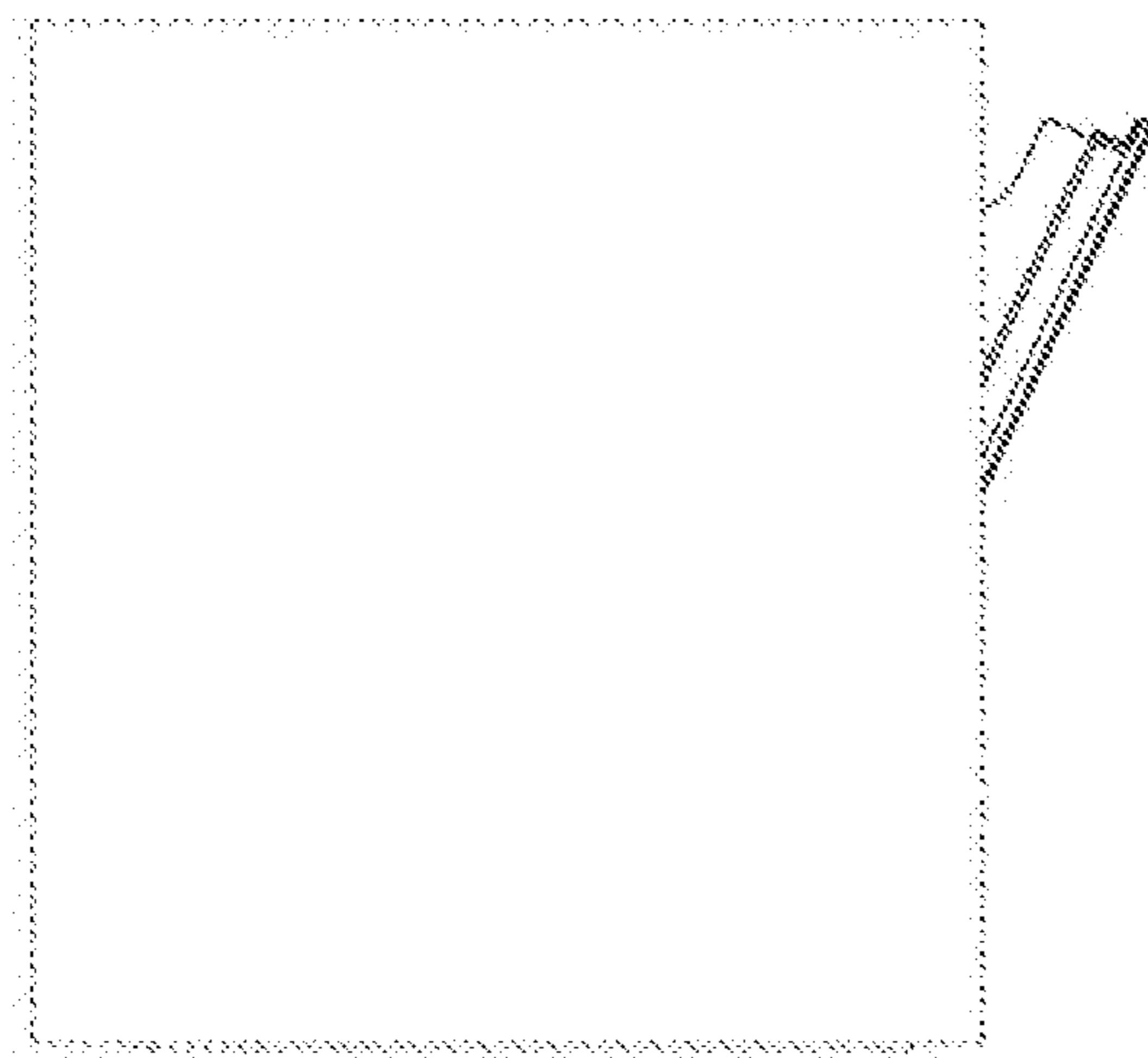
1.9



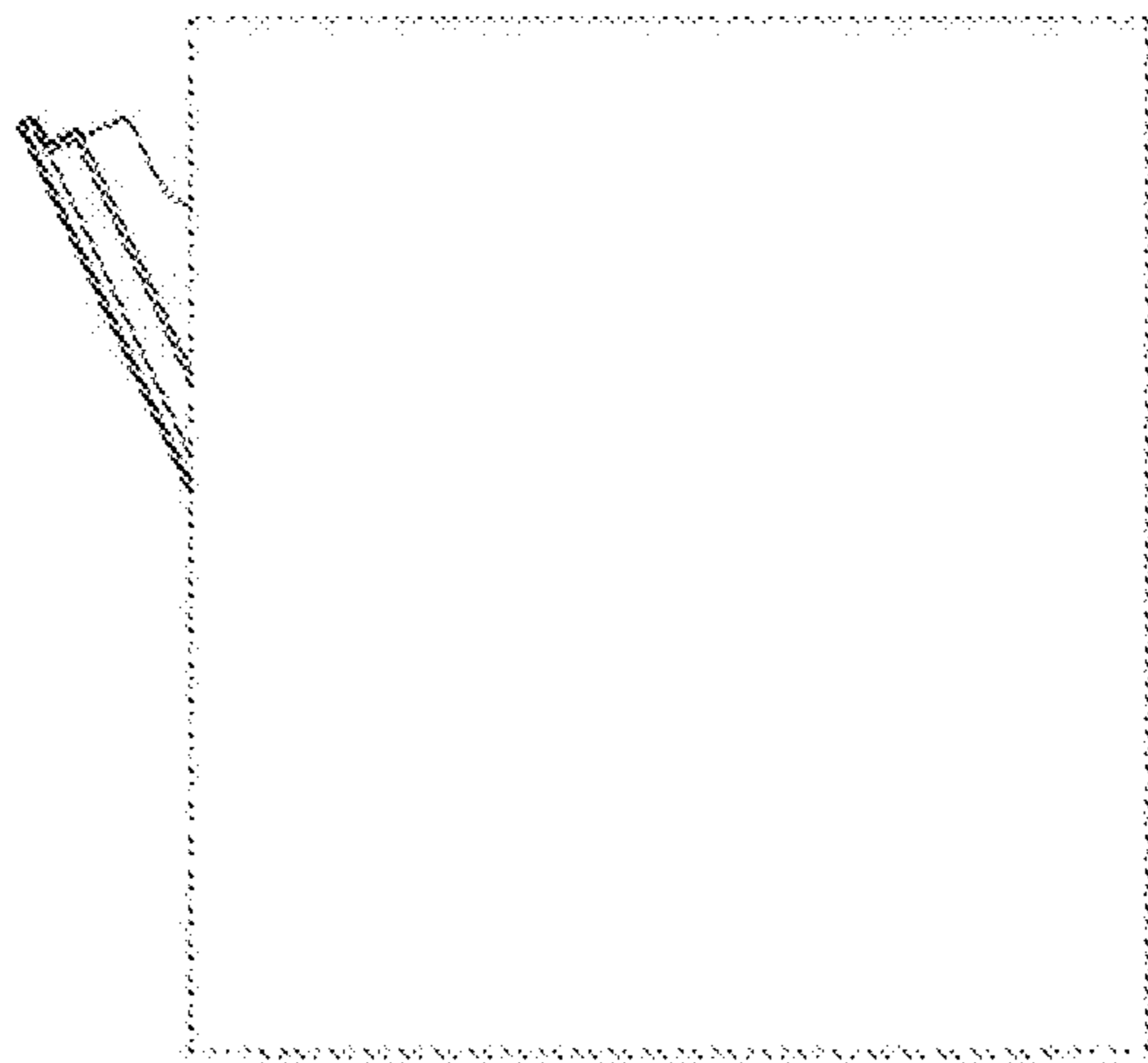
1.10



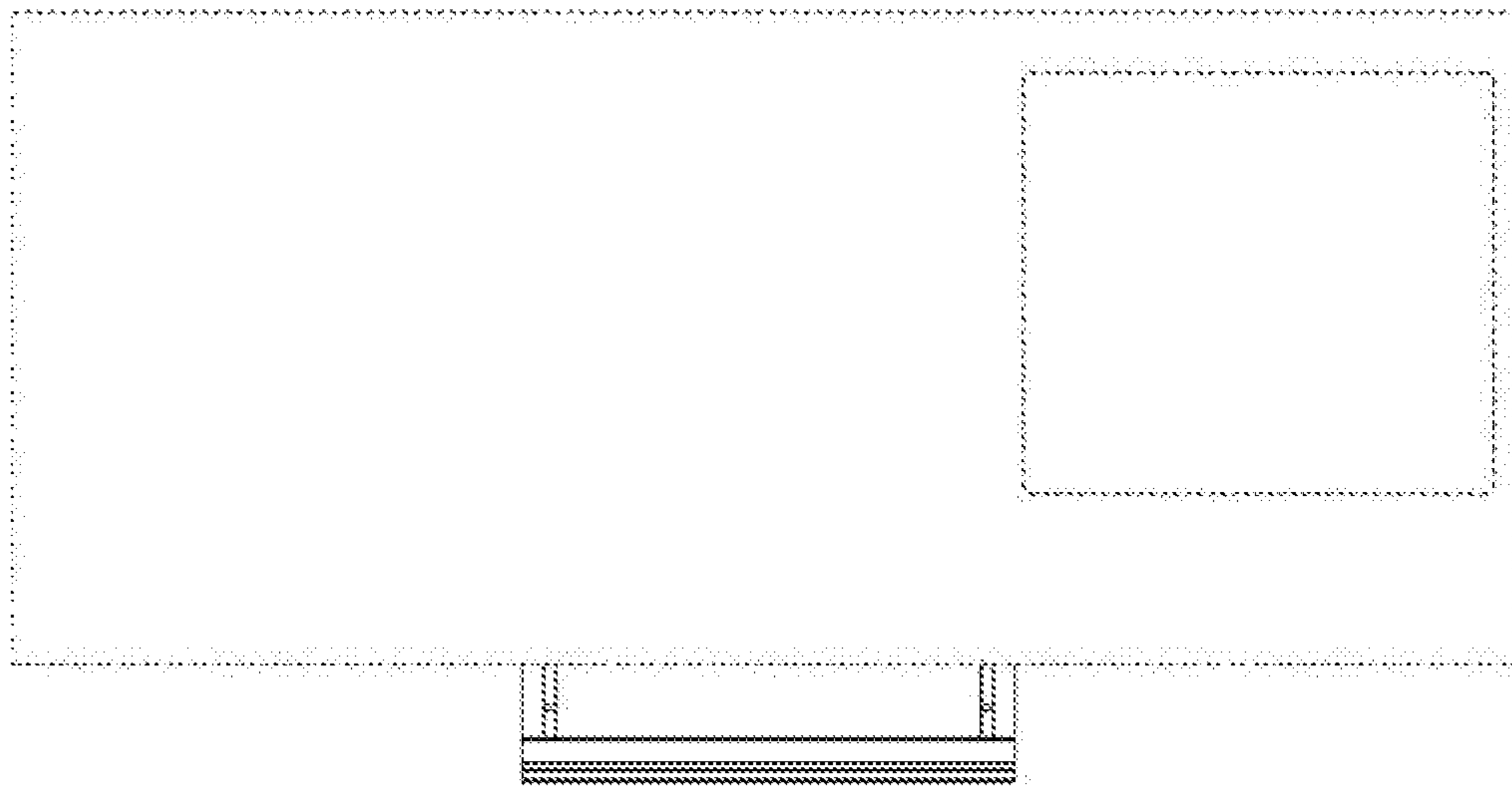
1.11



1.12



1.13



1.14

