



US00D900522S

(12) **United States Design Patent** (10) **Patent No.:** **US D900,522 S**
Kim et al. (45) **Date of Patent:** **** Nov. 3, 2020**

(54) **COMPACT KITCHEN UNIT**

(71) Applicant: **LG ELECTRONICS INC.**, Seoul (KR)

(72) Inventors: **Hyunki Kim**, Seoul (KR); **Kyukwan Choi**, Seoul (KR); **Wonsang Choi**, Seoul (KR)

(73) Assignee: **LG ELECTRONICS INC.**, Seoul (KR)

(**) Term: **15 Years**

(21) Appl. No.: **35/507,430**

(22) Filed: **Nov. 22, 2018**

(80) **Hague Agreement Data**

Int. Filing Date: **Nov. 22, 2018**
Int. Reg. No.: **DM/202708**
Int. Reg. Date: **Nov. 22, 2018**
Int. Reg. Pub. Date: **Sep. 13, 2019**

(30) **Foreign Application Priority Data**

May 23, 2018 (KR) 30-2018-0023944

(51) **LOC (12) Cl.** **06-06**

(52) **U.S. Cl.**
USPC **D6/705**

(58) **Field of Classification Search**
USPC D6/663, 668.1, 668.2, 671, 371.2, 698, D6/699, 699.2, 702, 703, 704, 705, 705.2, D6/705.5; D7/600.1; D15/79, 89
CPC A47B 37/00; A47B 53/00; A47B 53/02; A47B 55/00; A47B 71/00; A47B 77/00; A47B 88/00; A47B 88/40; A47B 96/00; A47B 83/04; A47B 88/16; A47B 88/413; A47B 88/453; A47B 88/944; A47F 3/00; A47F 3/0404; A47F 3/043
See application file for complete search history.

(56) **References Cited**

U.S. PATENT DOCUMENTS

D263,100 S * 2/1982 Thompson D18/59
4,425,013 A * 1/1984 Killen E05B 65/463
312/216
D477,479 S * 7/2003 Henderson D6/705
D523,667 S * 6/2006 Bisson D6/705
D599,145 S * 9/2009 Daino D6/705
D619,832 S * 7/2010 Zalewski D6/705
D665,230 S * 8/2012 Snider D7/600.1
D684,402 S * 6/2013 Gasser D6/705
D817,366 S * 5/2018 Kim E05B 65/463
D15/79
10,485,341 B2 * 11/2019 Dash A47B 31/02

* cited by examiner

Primary Examiner — Mary Ann Calabrese

(74) *Attorney, Agent, or Firm* — Birch, Stewart, Kolasch & Birch, LLP

(57) **CLAIM**

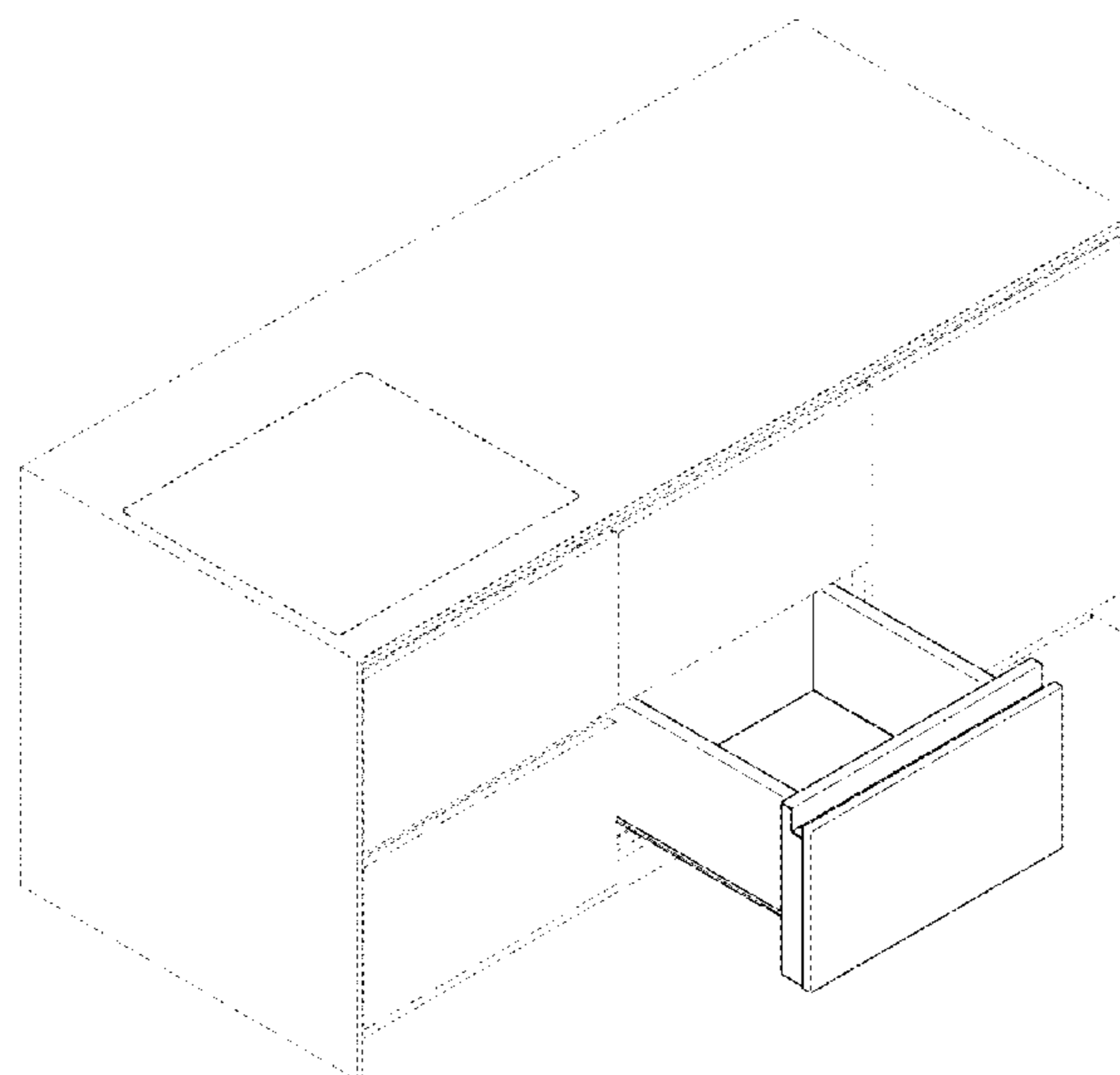
The ornamental design for compact kitchen unit, as shown and described.

DESCRIPTION

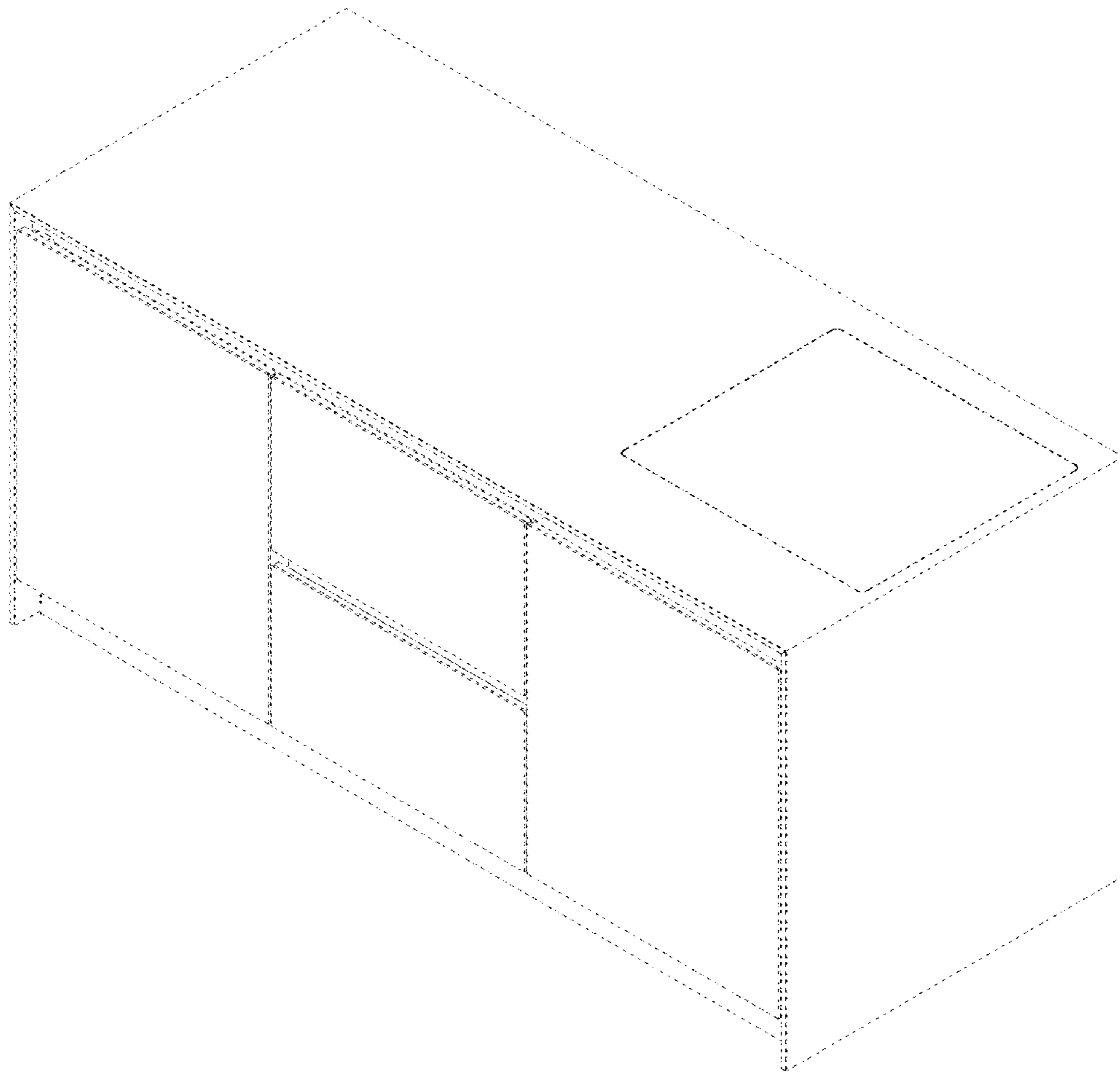
- 1. Compact kitchen unit
- 1.1 : Front perspective view
- 1.2 : Rear perspective view
- 1.3 : Front
- 1.4 : Rear
- 1.5 : Left
- 1.6 : Right
- 1.7 : Top
- 1.8 : Bottom

The broken lines indicate portions of the article that form no part of the claimed design.

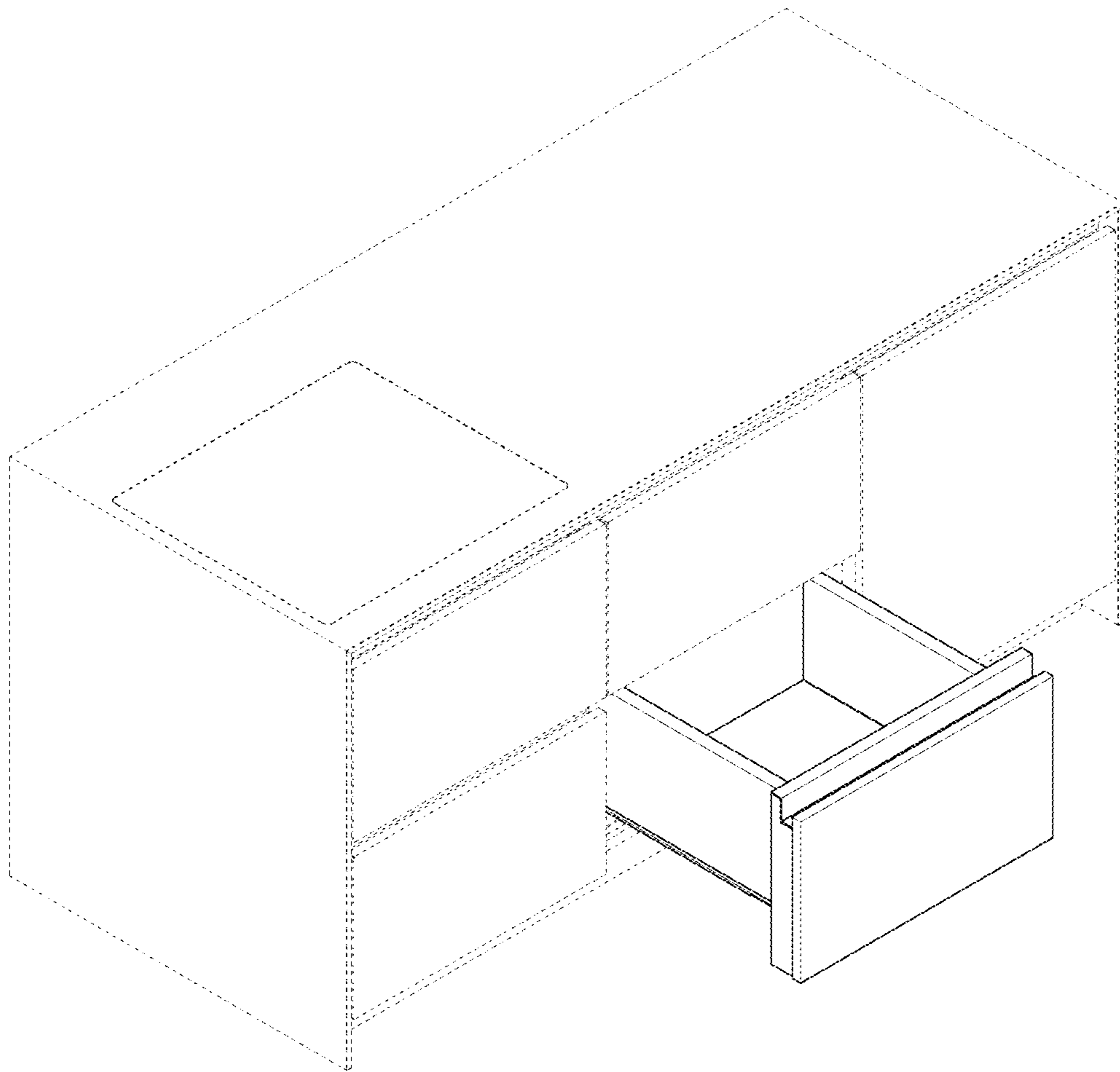
1 Claim, 8 Drawing Sheets



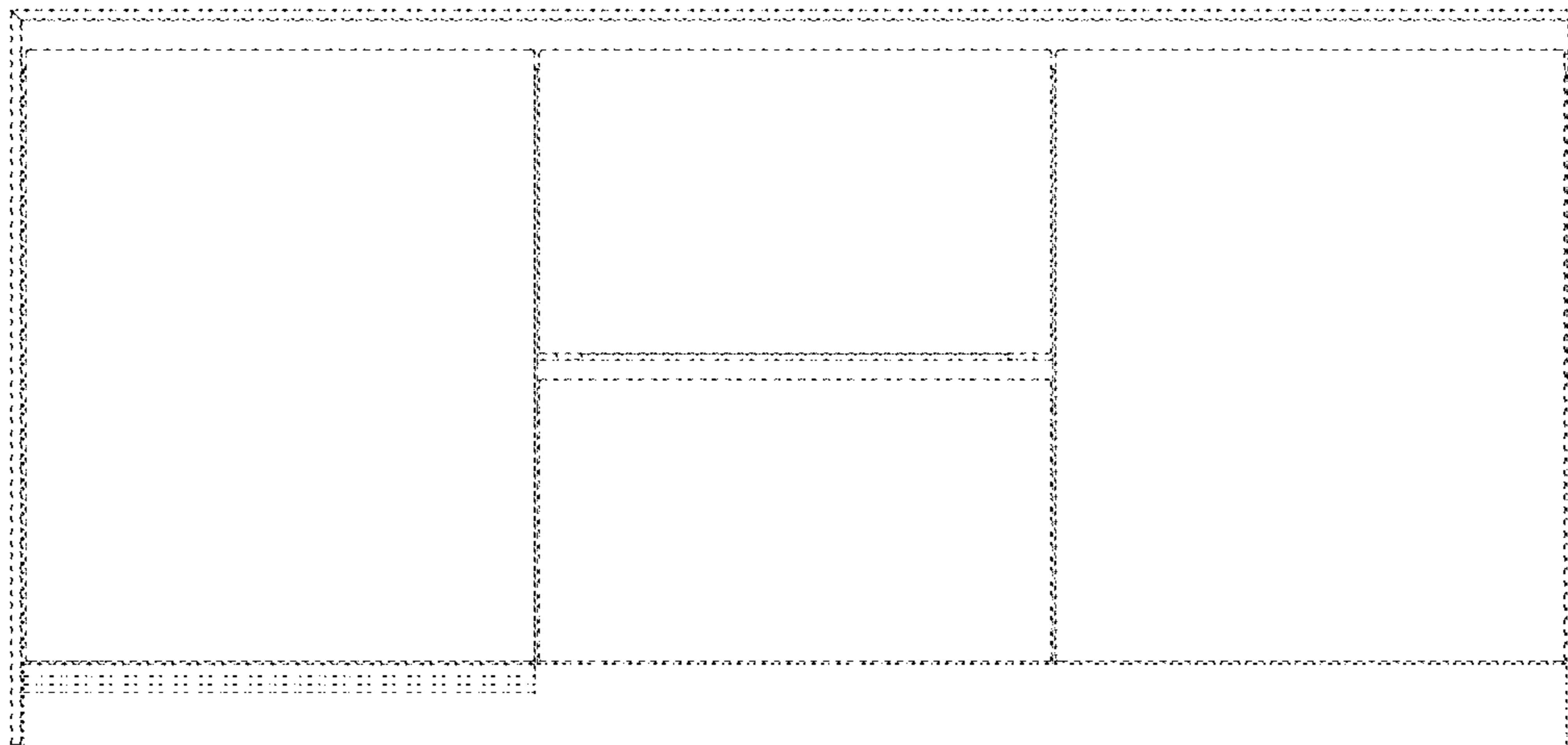
1.1



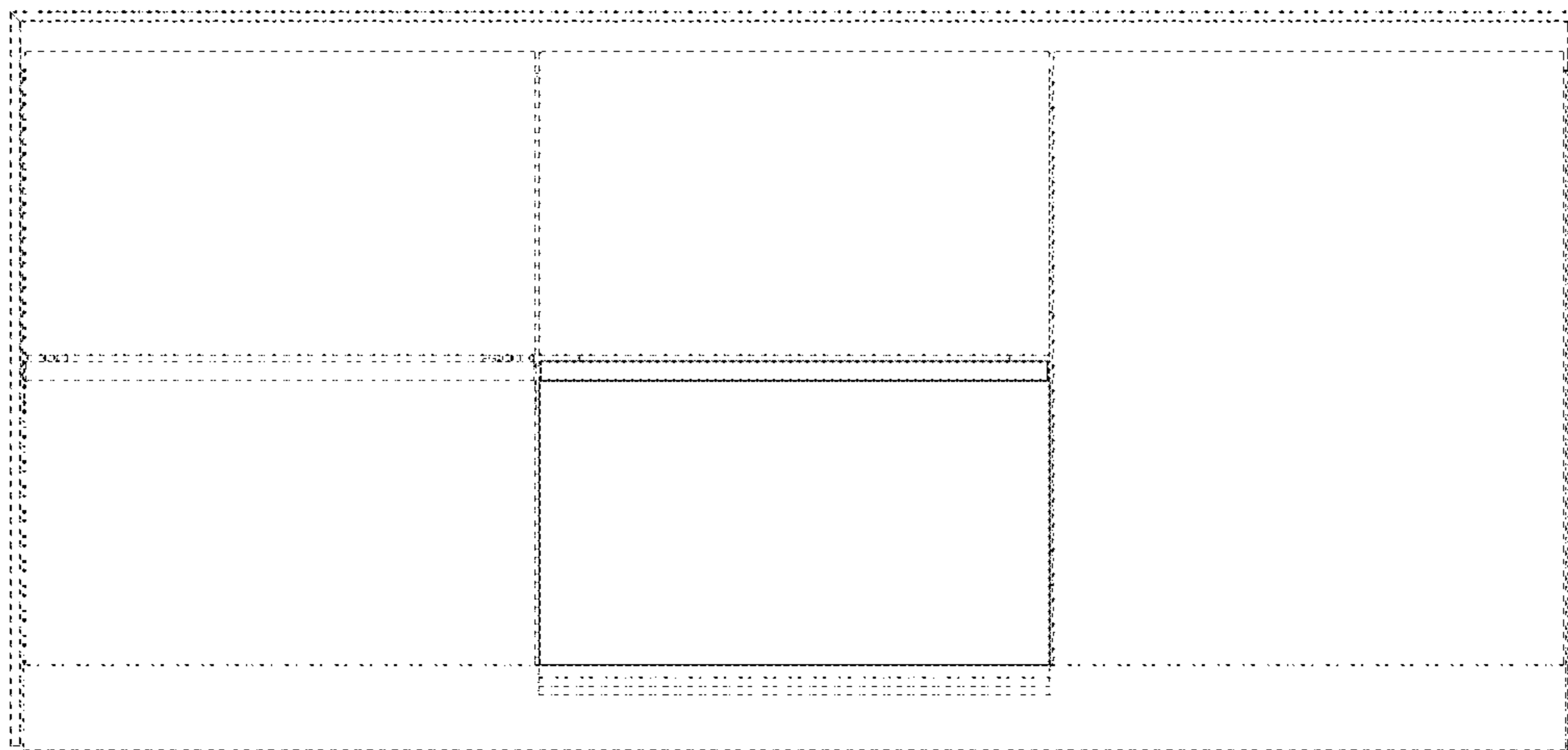
1.2



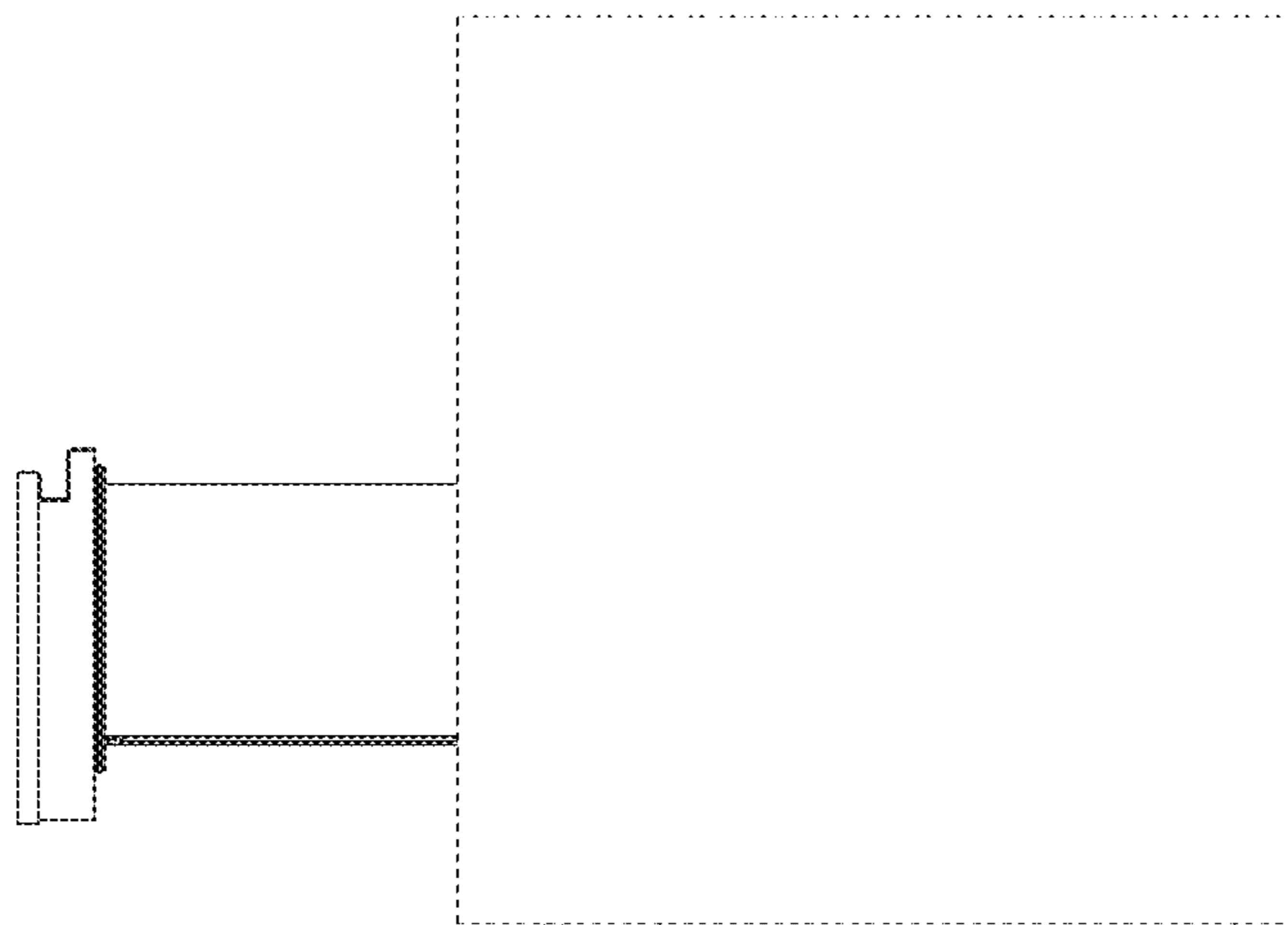
1.3



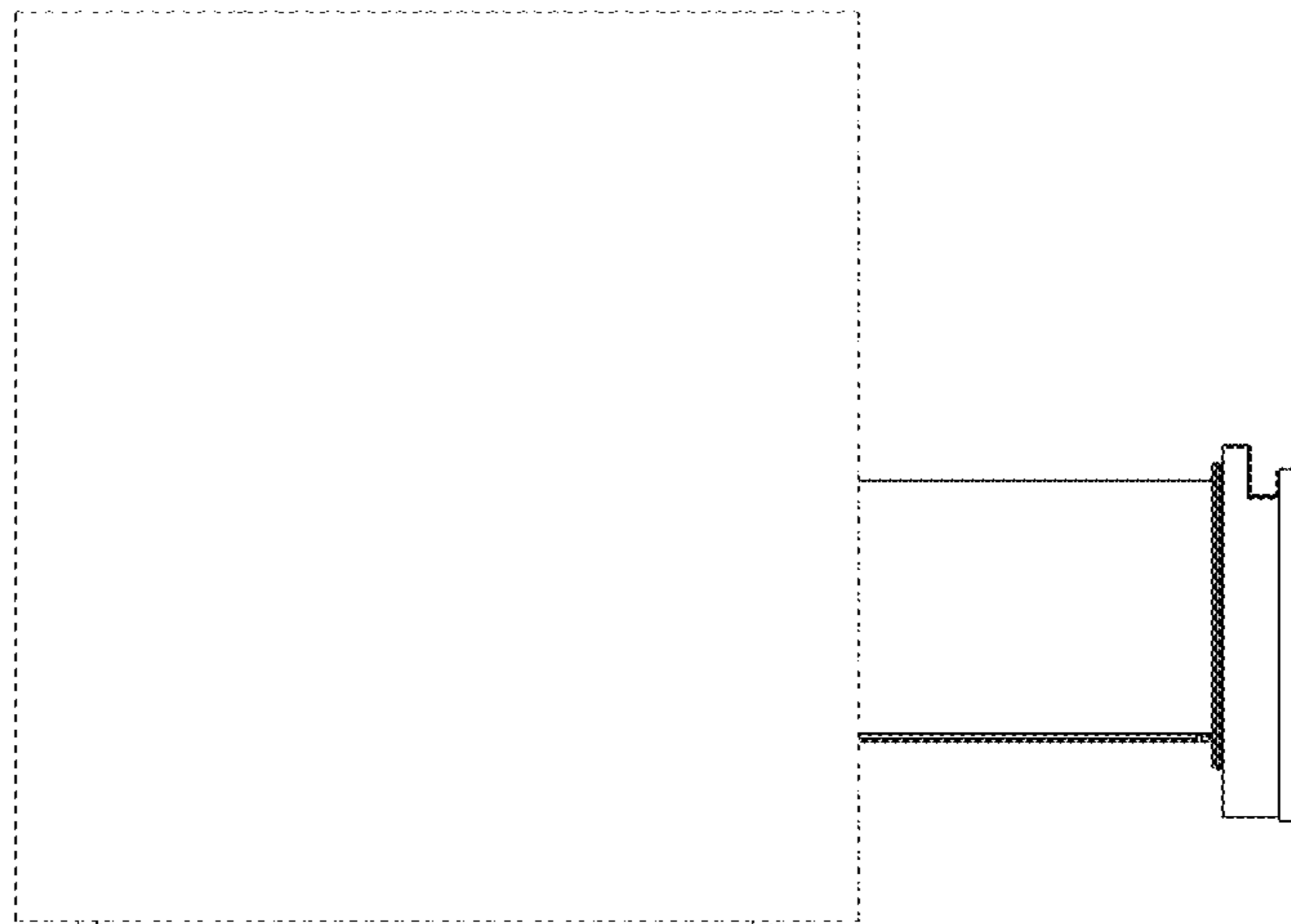
1.4



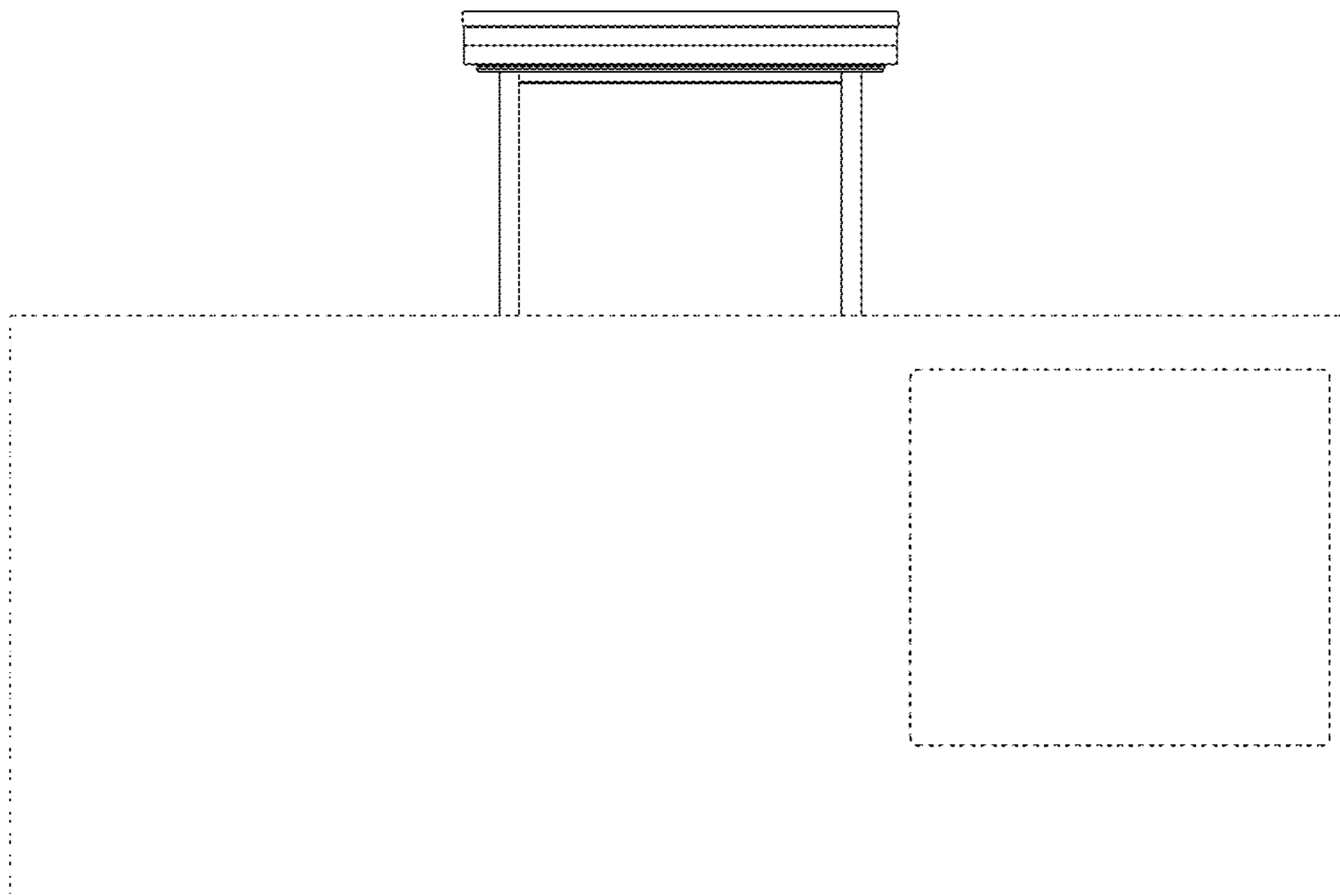
1.5



1.6



1.7



1.8

