



US00D900519S

(12) **United States Design Patent**  
**Davis et al.**

(10) **Patent No.:** **US D900,519 S**

(45) **Date of Patent:** **\*\* Nov. 3, 2020**

(54) **TABLE**

(71) Applicant: **WALKER EDISON FURNITURE COMPANY LLC**, Salt Lake City, UT (US)

(72) Inventors: **Matthew Davis**, Murray, UT (US);  
**Brad Bonham**, Draper, UT (US);  
**Richard A. Packer**, Kaysville, UT (US)

(73) Assignee: **WALKER EDISON FURNITURE COMPANY LLC**, West Jordan, UT (US)

(\*\*) Term: **15 Years**

(21) Appl. No.: **29/677,767**

(22) Filed: **Jan. 23, 2019**

(51) **LOC (12) Cl.** ..... **06-03**

(52) **U.S. Cl.**  
USPC ..... **D6/692**

(58) **Field of Classification Search**  
USPC .... D6/349, 685, 686, 690, 692, 692.1-692.6  
CPC ..... A47B 7/00; A47B 13/00; A47B 13/02;  
A47B 13/08; A47B 21/00; A47B  
2200/0001; A47B 2200/0011; A47B  
2200/002

See application file for complete search history.

(56) **References Cited**

**U.S. PATENT DOCUMENTS**

1,652,942	A	*	12/1927	James	.....	A47B 3/12 108/159
D222,624	S	*	11/1971	Giafagna	.....	D6/692.6
D247,402	S	*	3/1978	Cohen	.....	D6/680.3
D258,104	S	*	2/1981	Baker	.....	D6/692
D506,082	S	*	6/2005	Foy	.....	D6/352
D747,904	S	*	1/2016	Haynes	.....	D6/692

D839,645	S	*	2/2019	Itou	.....	D6/692
D875,447	S	*	2/2020	Piva	.....	D6/692.1
D876,864	S	*	3/2020	He	.....	A47B 3/12 D6/692.4

\* cited by examiner

*Primary Examiner* — Mary Ann Calabrese  
(74) *Attorney, Agent, or Firm* — Workman Nydegger

(57) **CLAIM**

The ornamental design for a table, as shown and described.

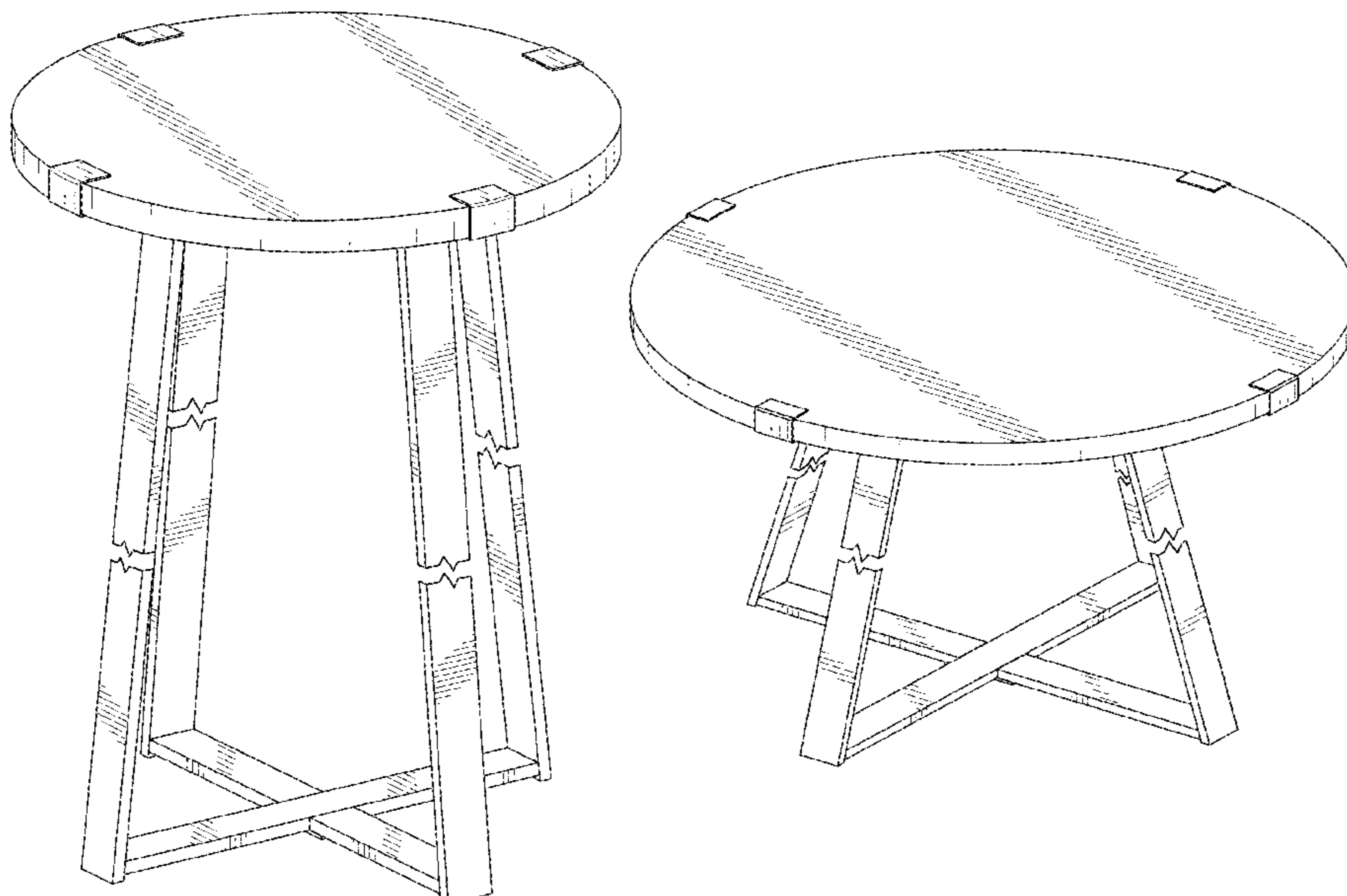
**DESCRIPTION**

FIG. 1 is a front perspective view of a table showing our new design;  
FIG. 2 is a front elevation view thereof;  
FIG. 3 is a back elevation view thereof;  
FIG. 4 is a top plan view thereof;  
FIG. 5 is a bottom plan view thereof;  
FIG. 6 is a right elevation view thereof;  
FIG. 7 is a left elevation view thereof;  
FIG. 8 is a front perspective view of an alternate embodiment of a table showing our new design;  
FIG. 9 is a front elevation view thereof;  
FIG. 10 is a back elevation view thereof;  
FIG. 11 is a top plan view thereof;  
FIG. 12 is a bottom plan view thereof;  
FIG. 13 is a right elevation view thereof; and,  
FIG. 14 is a left elevation view thereof.

The broken lines in the drawings are for illustrating portions of the article that form no part of the claimed design.

The table is shown with symbolic breaks in its legs. The appearance of any portion of the article between the break lines forms no part of the claimed design. The break lines themselves are for illustrating the breakaway and form no part of the claimed design.

**1 Claim, 8 Drawing Sheets**



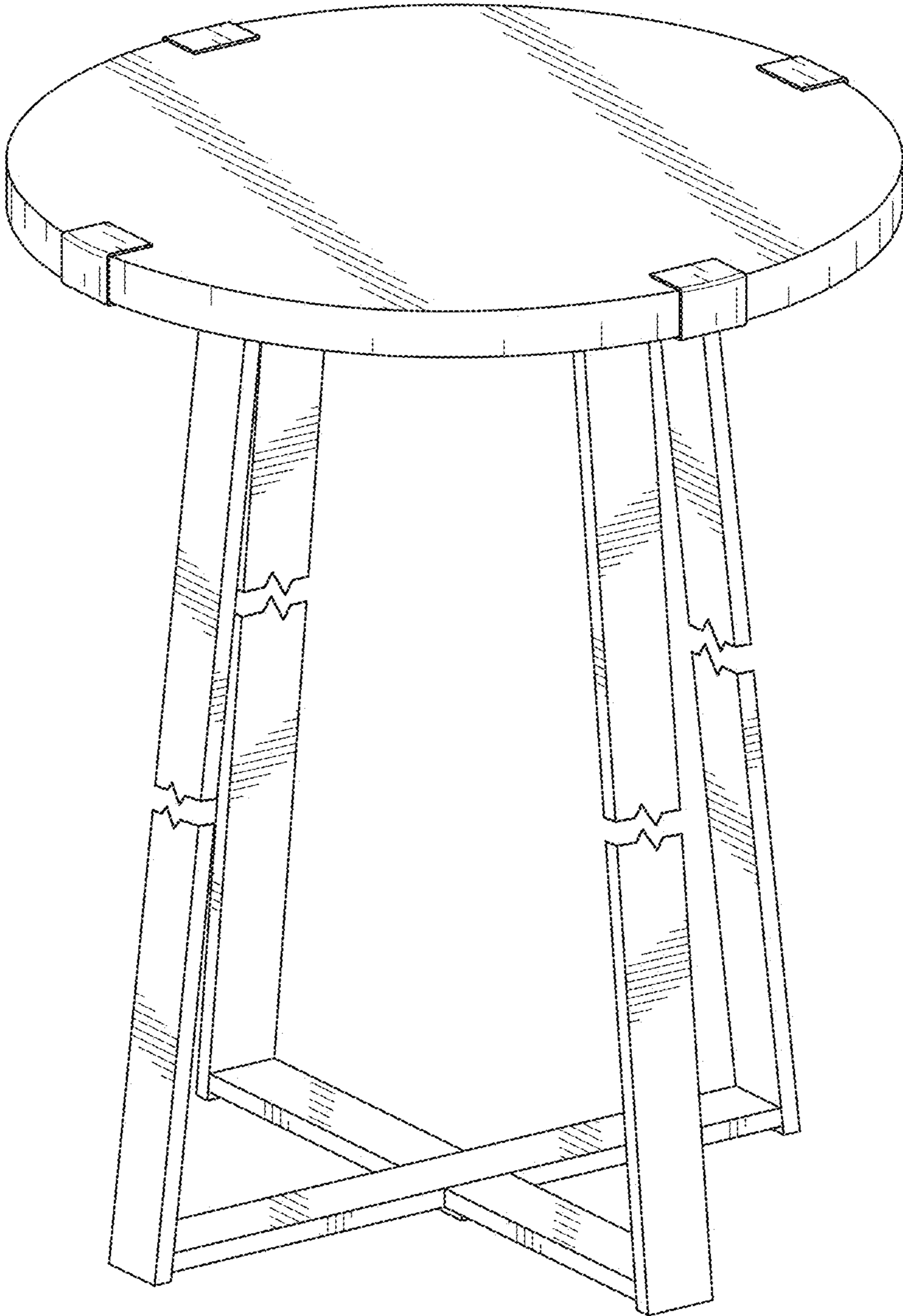


FIG. 1

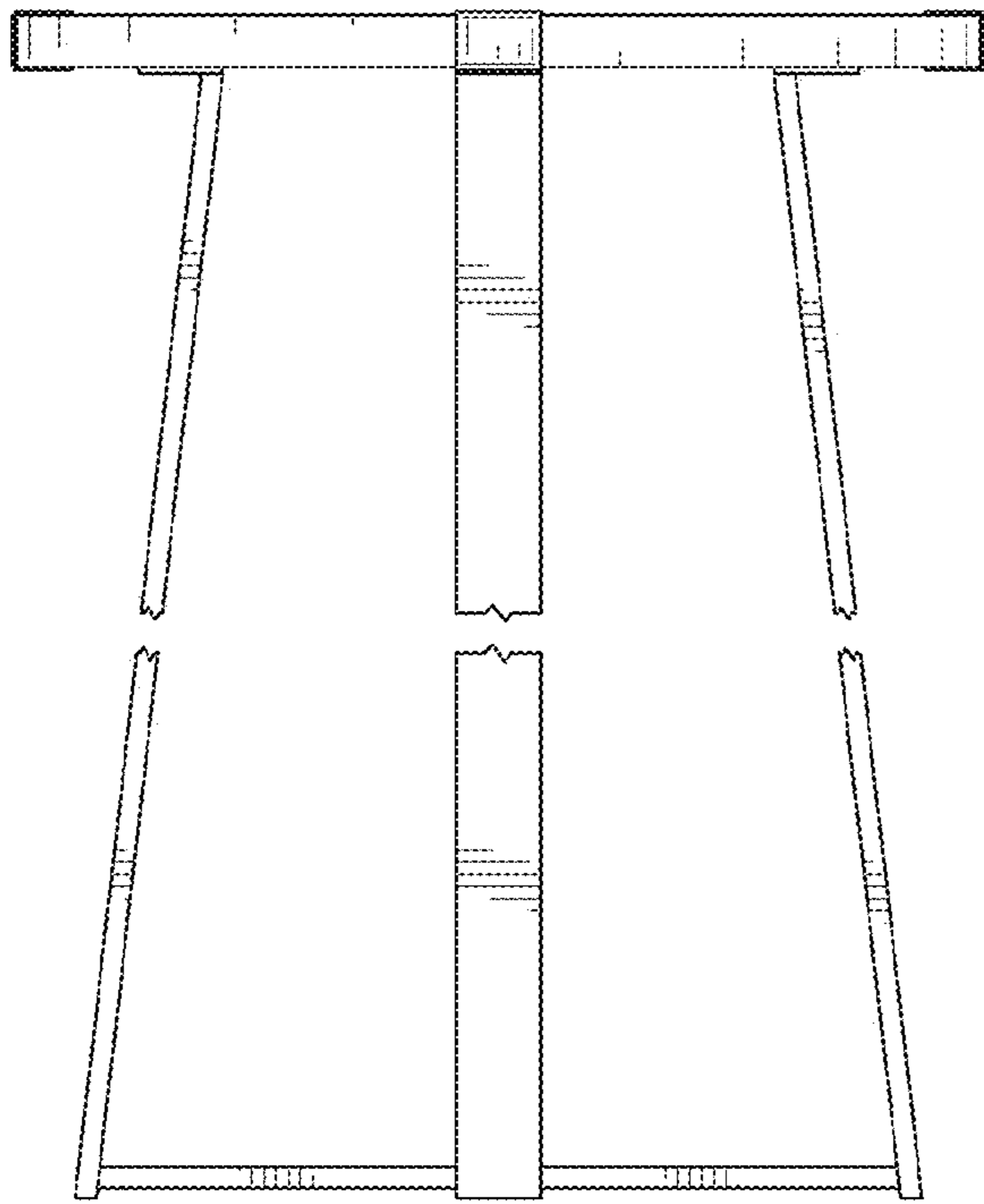


FIG. 2

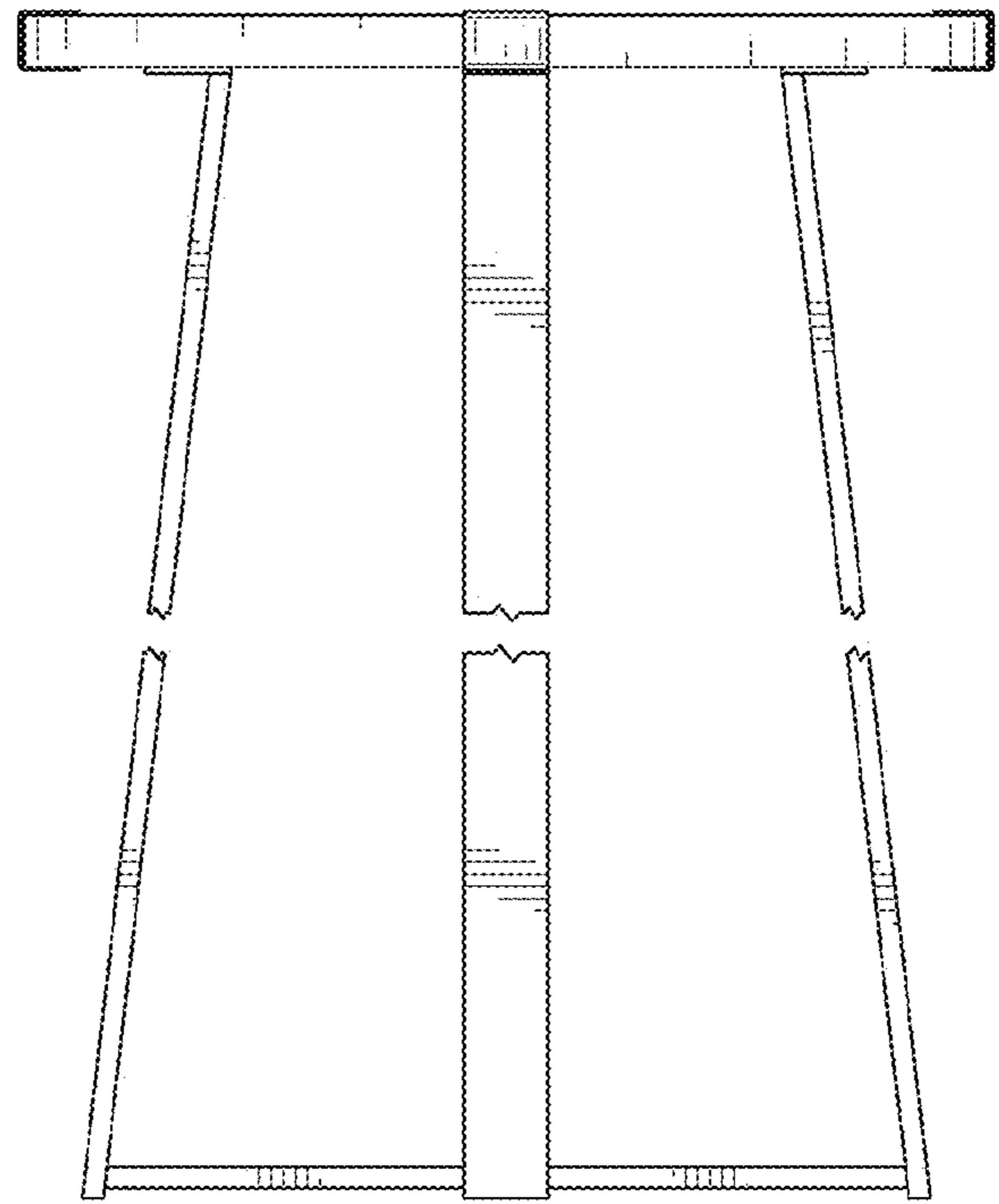


FIG. 3

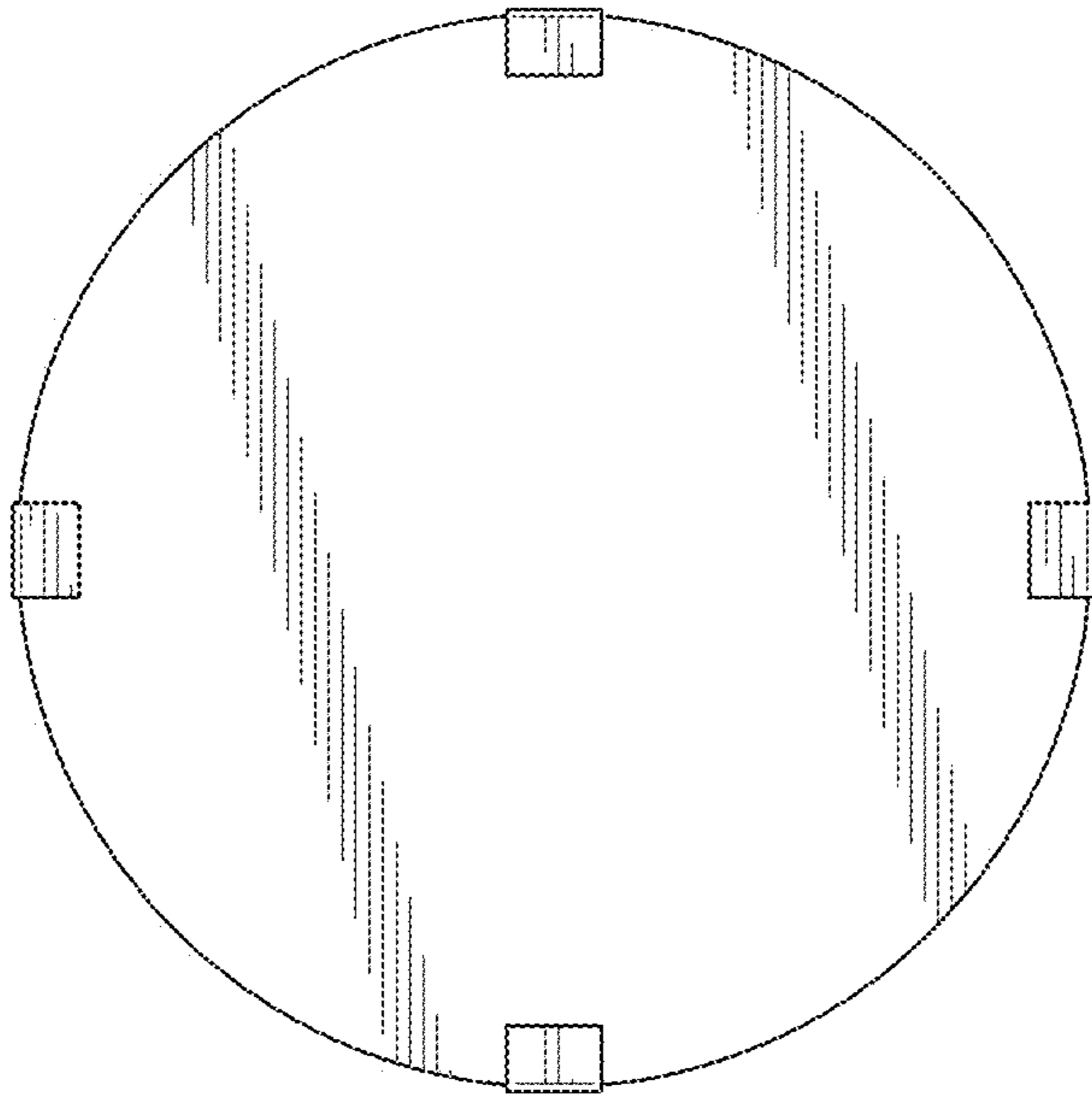


FIG. 4

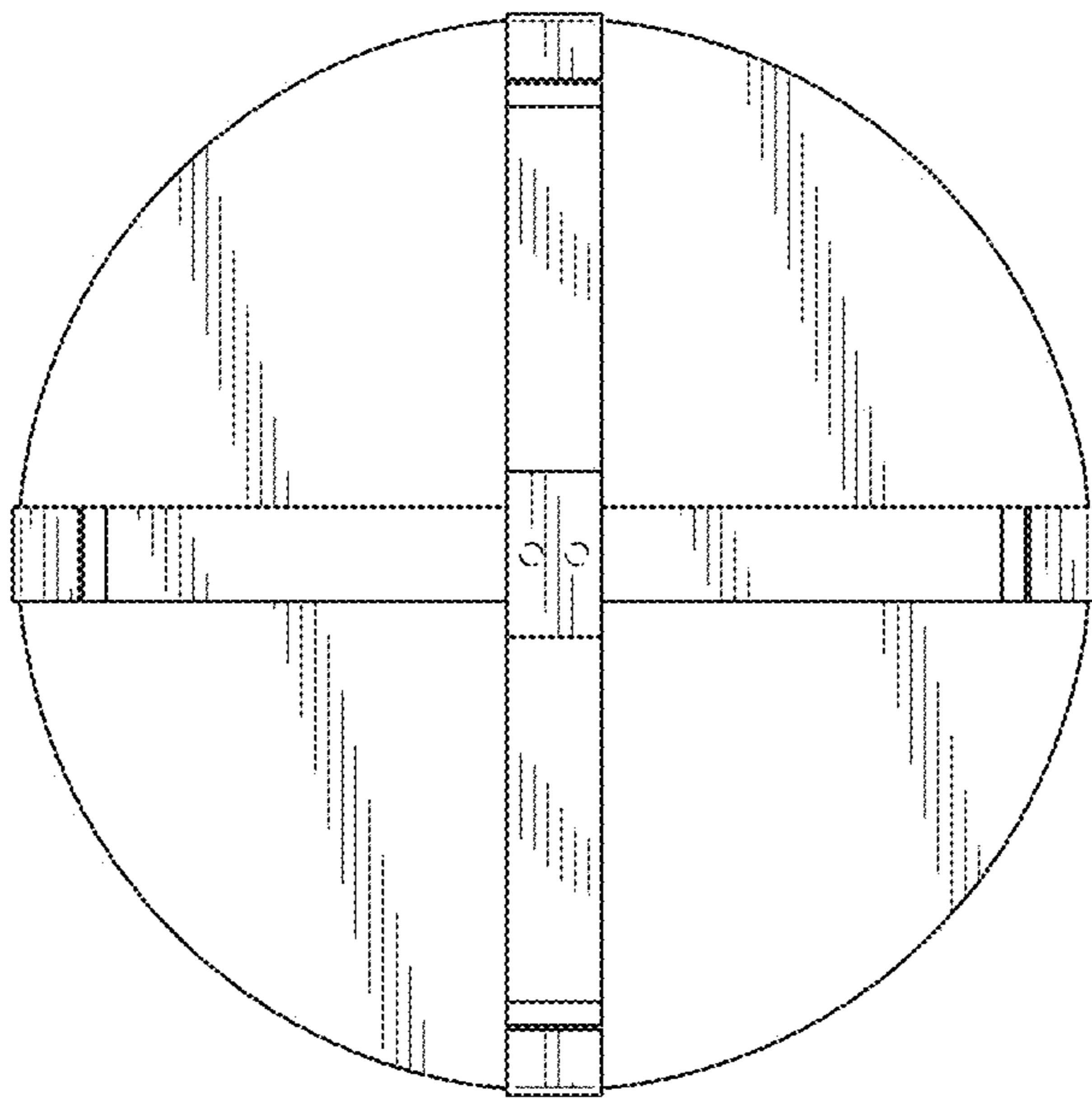


FIG. 5

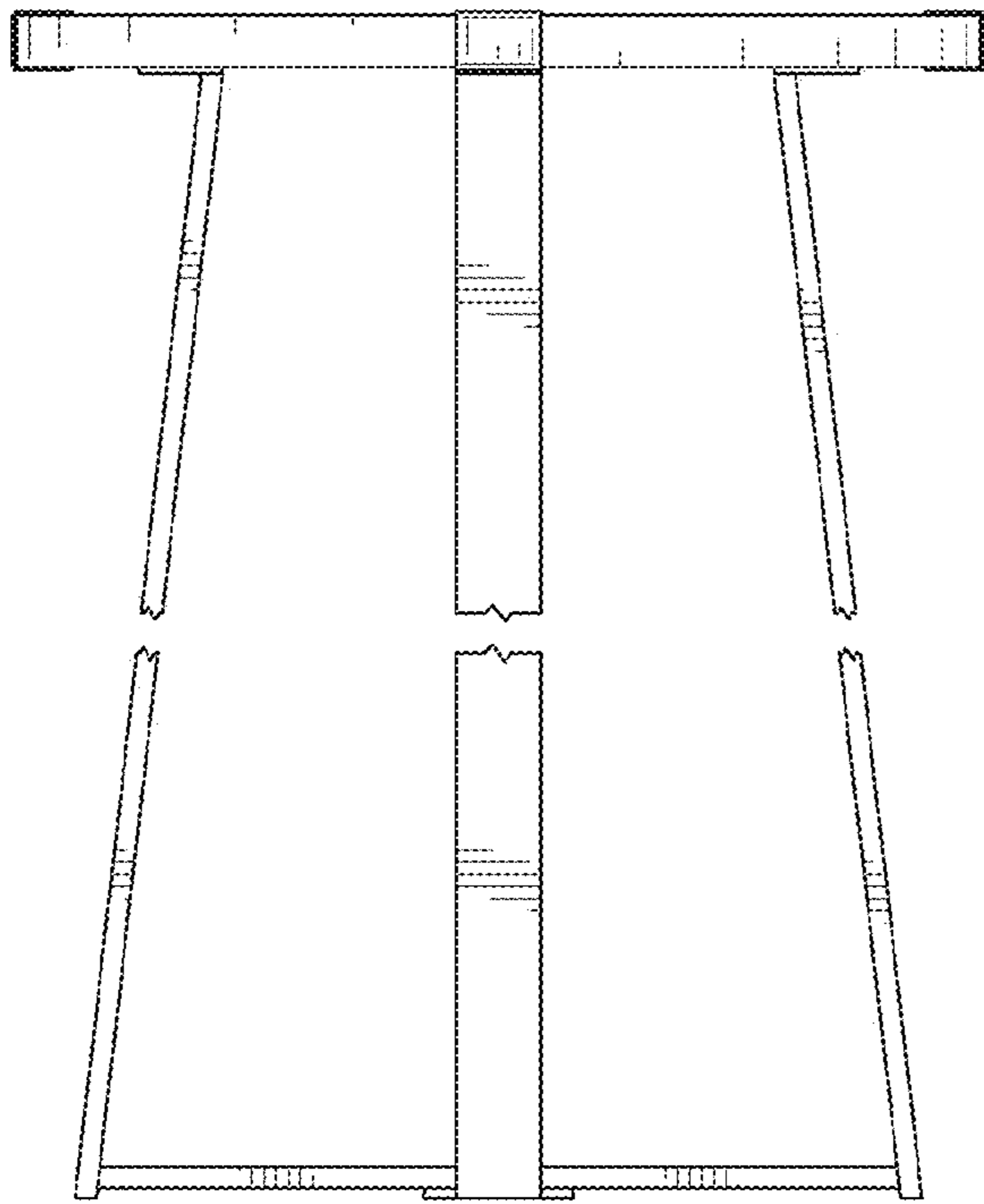


FIG. 6

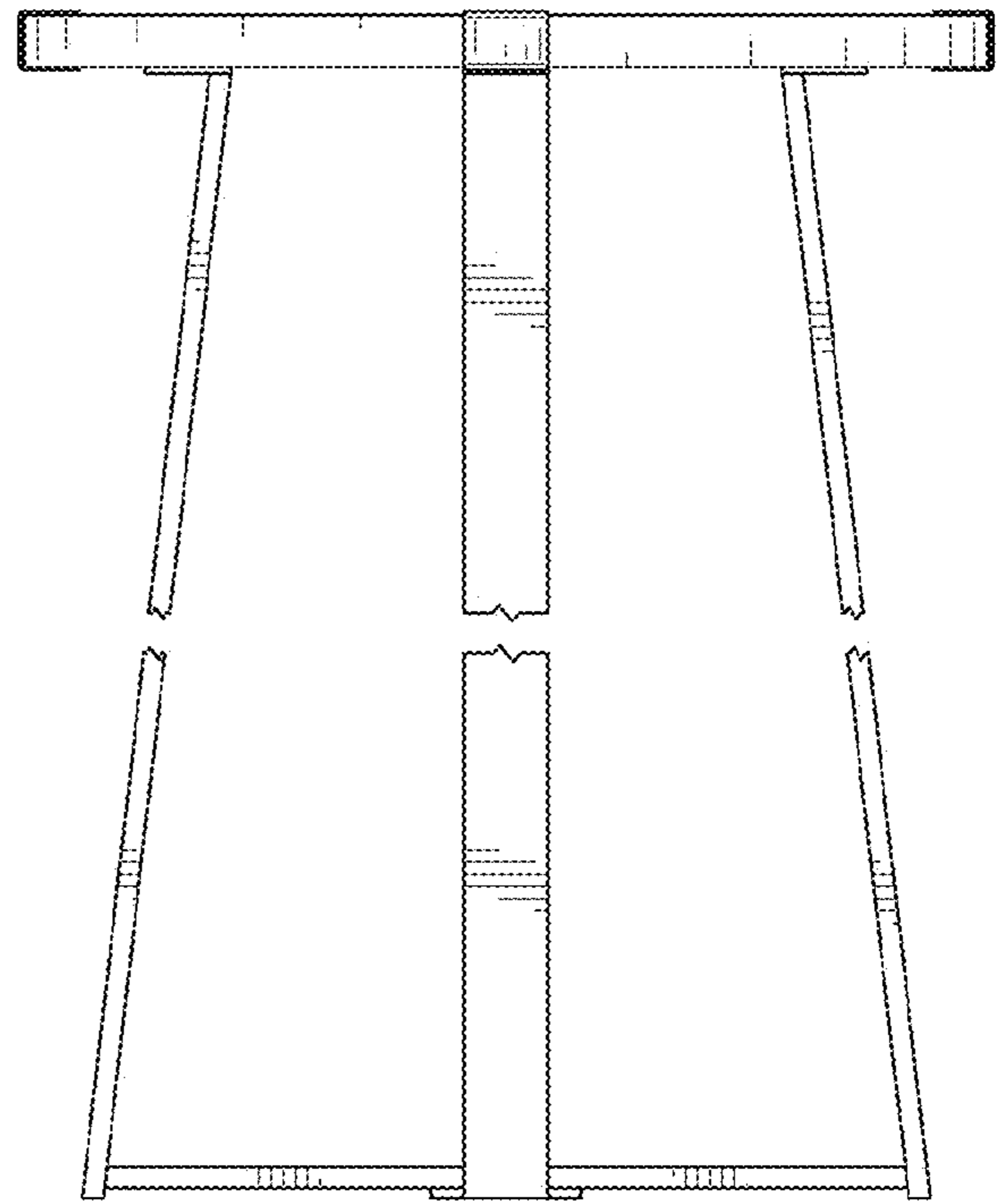


FIG. 7

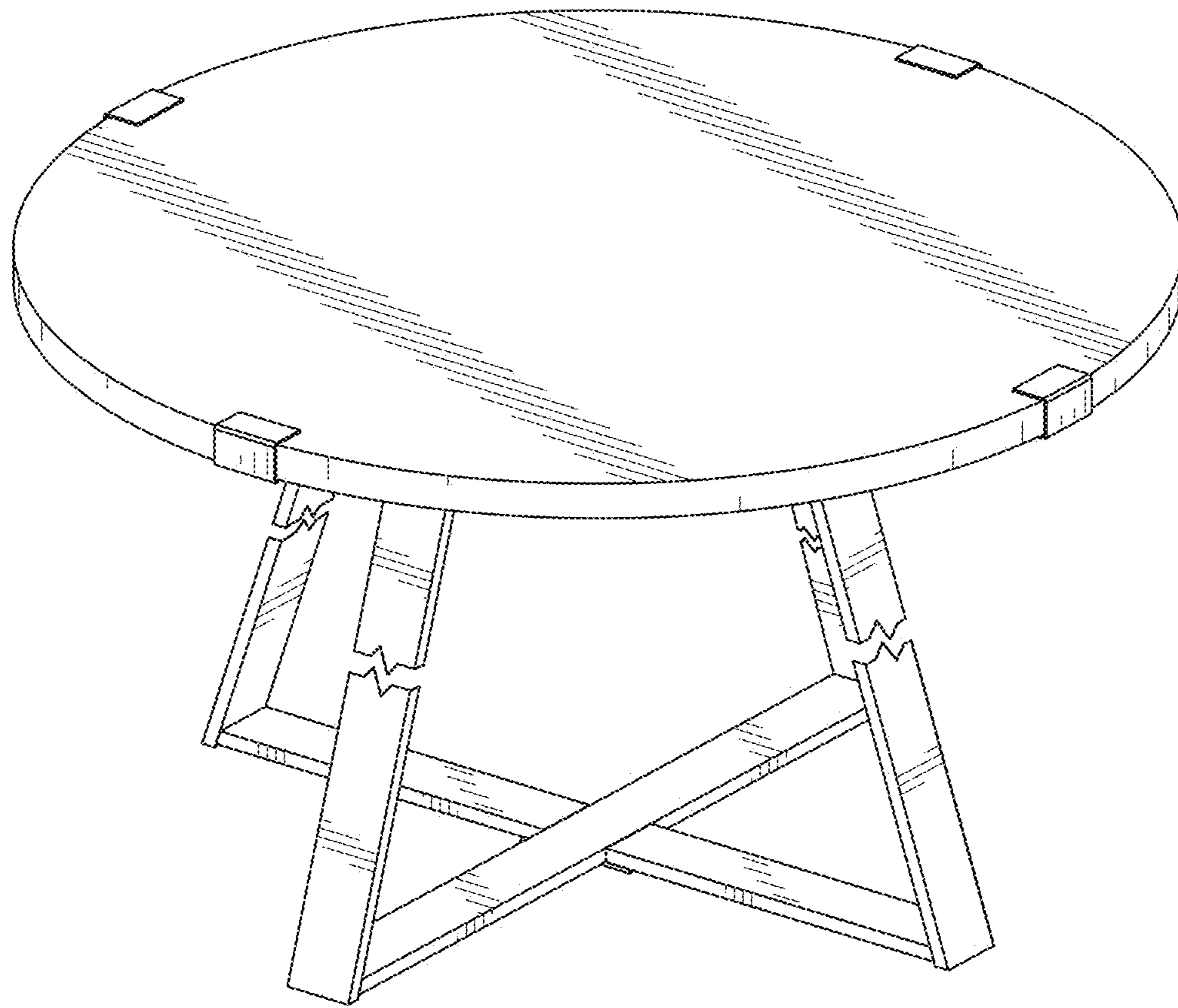


FIG. 8

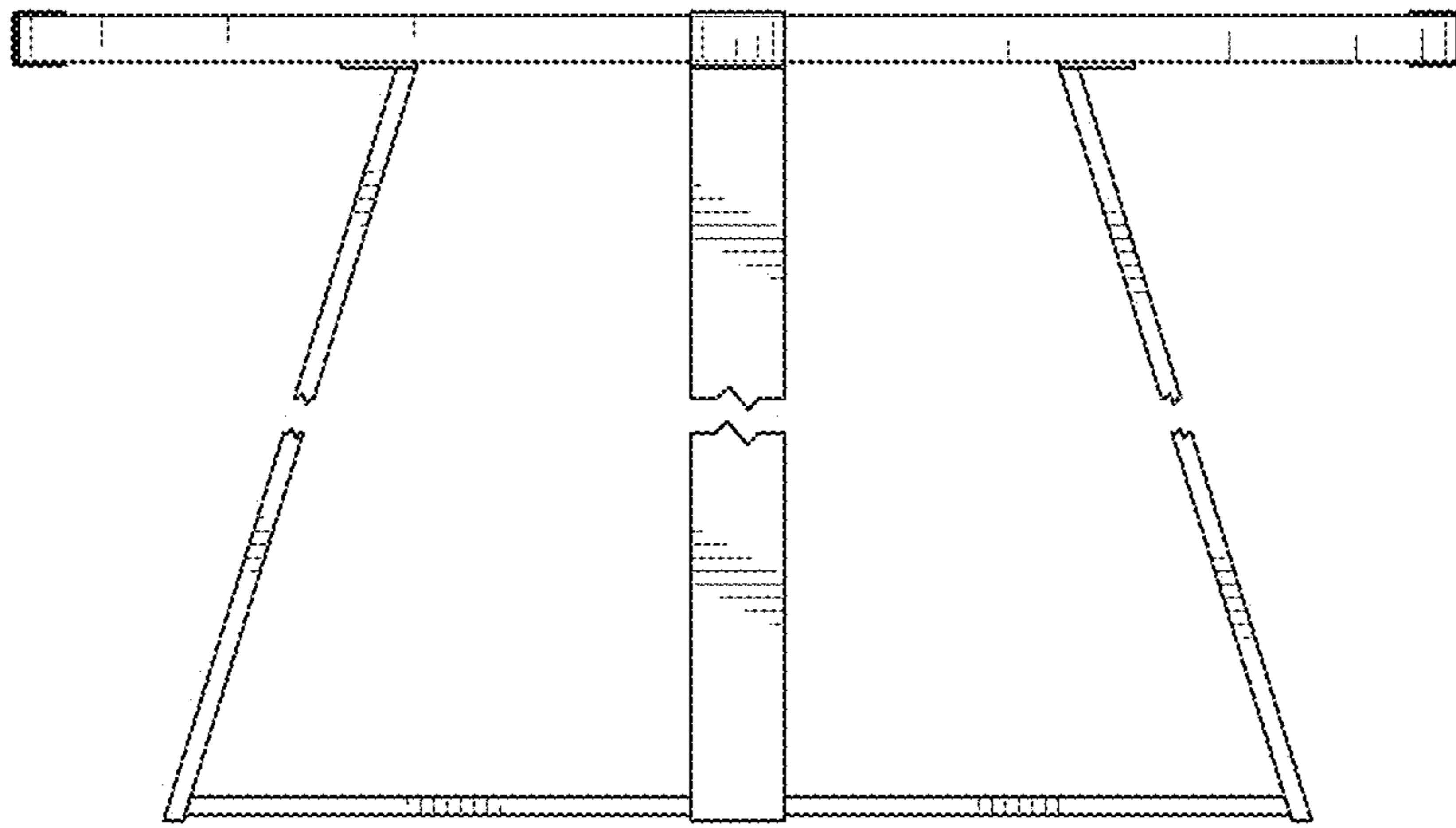


FIG. 9

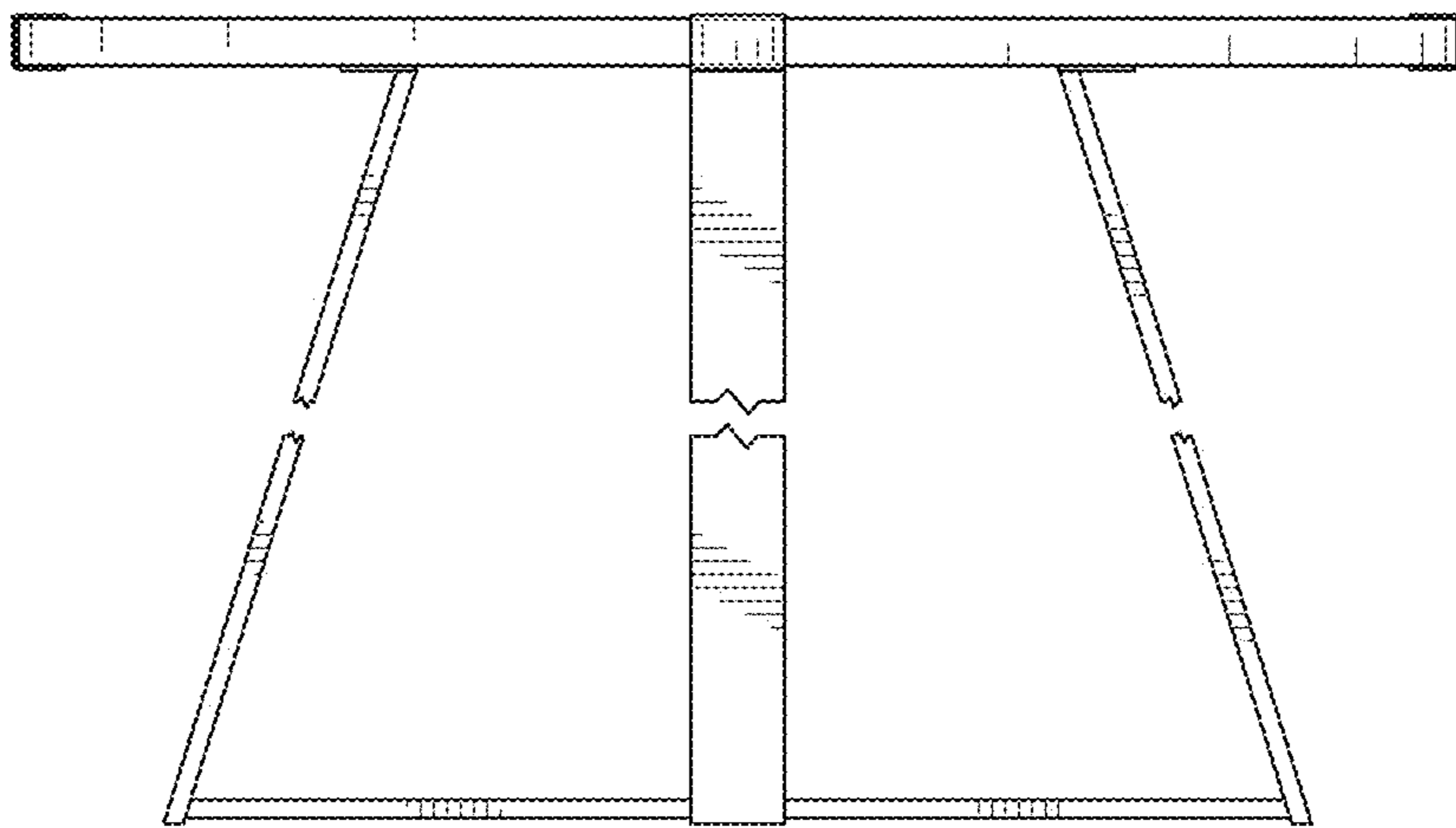


FIG. 10

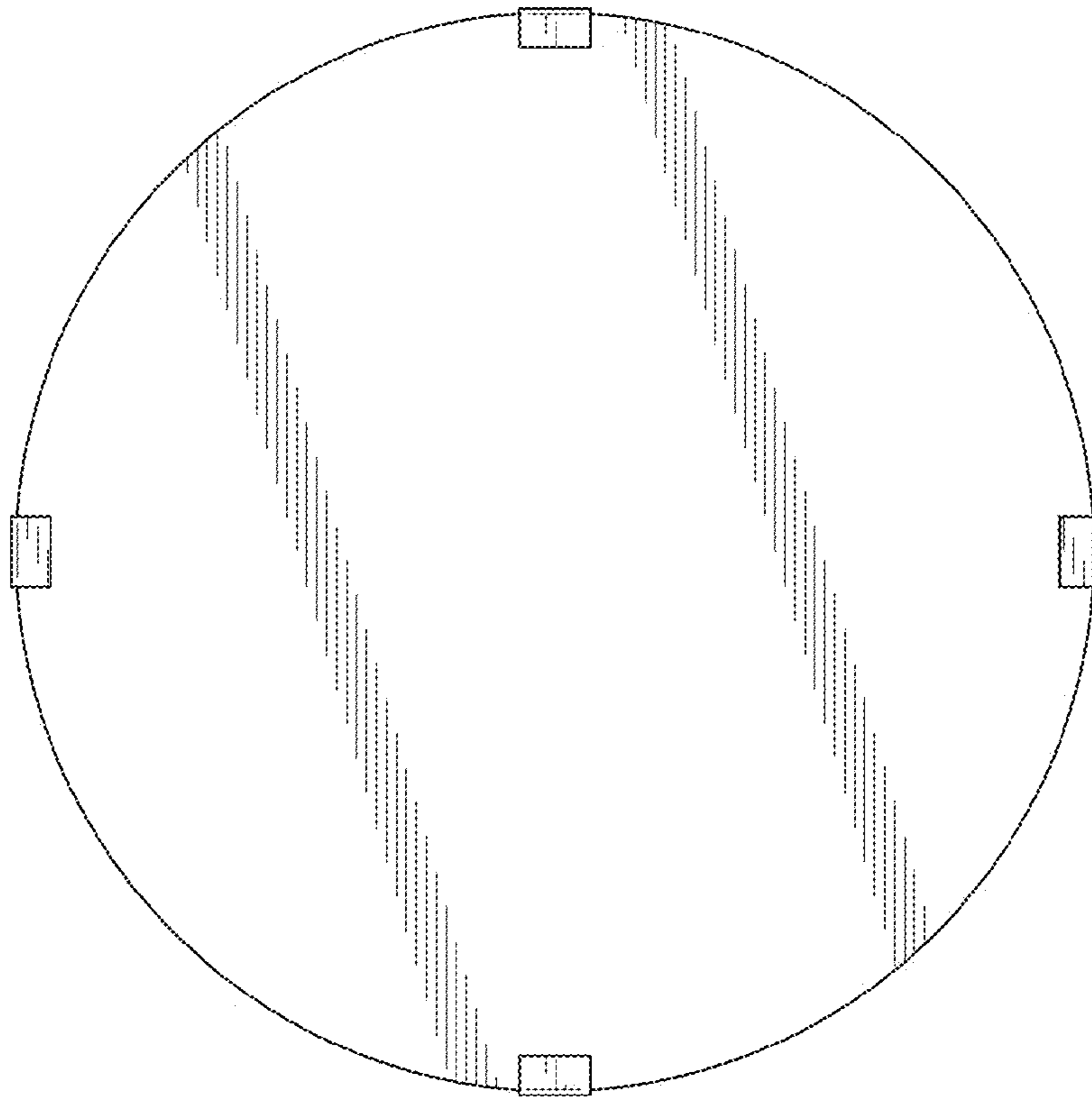


FIG. 11

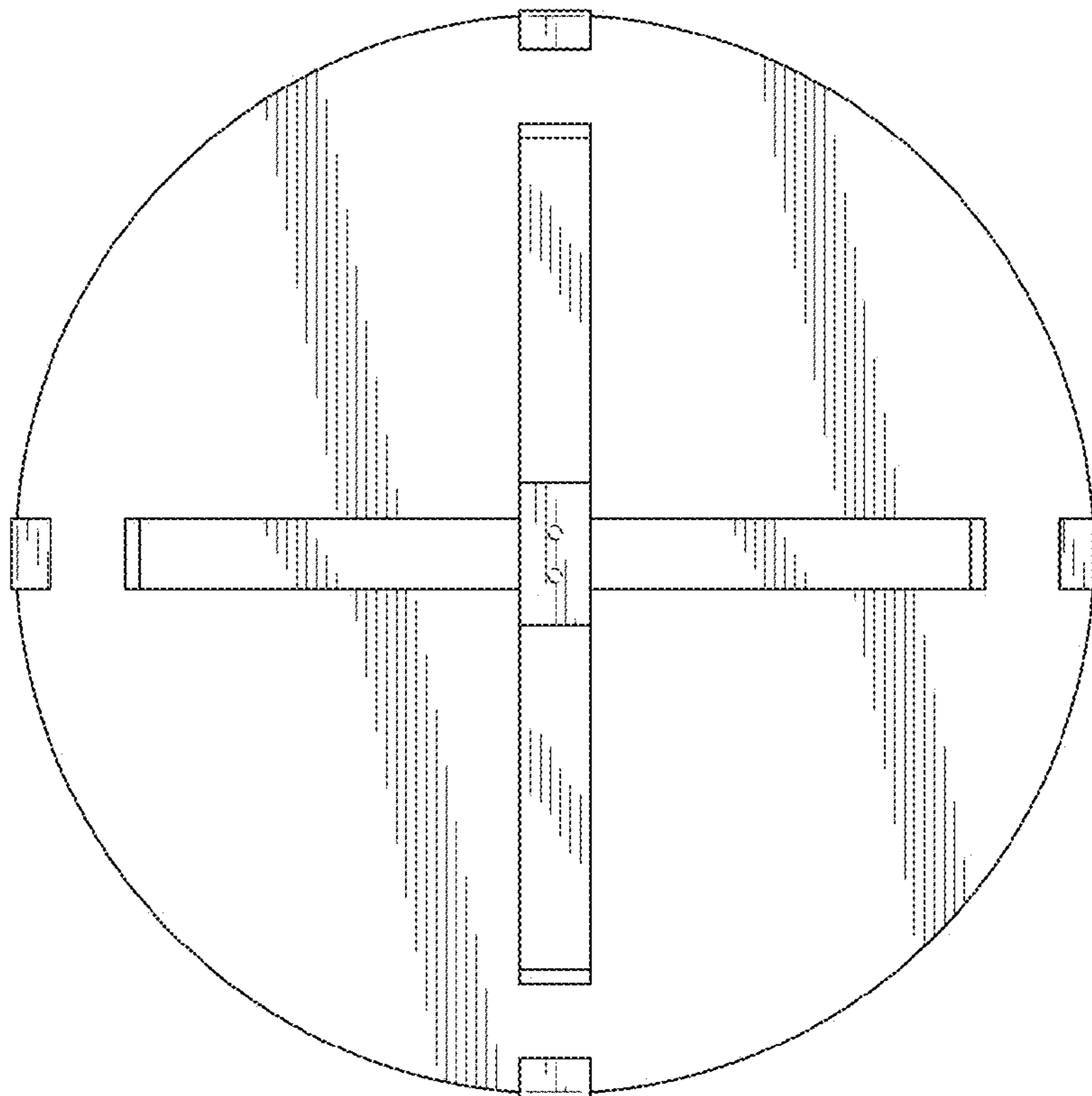


FIG. 12



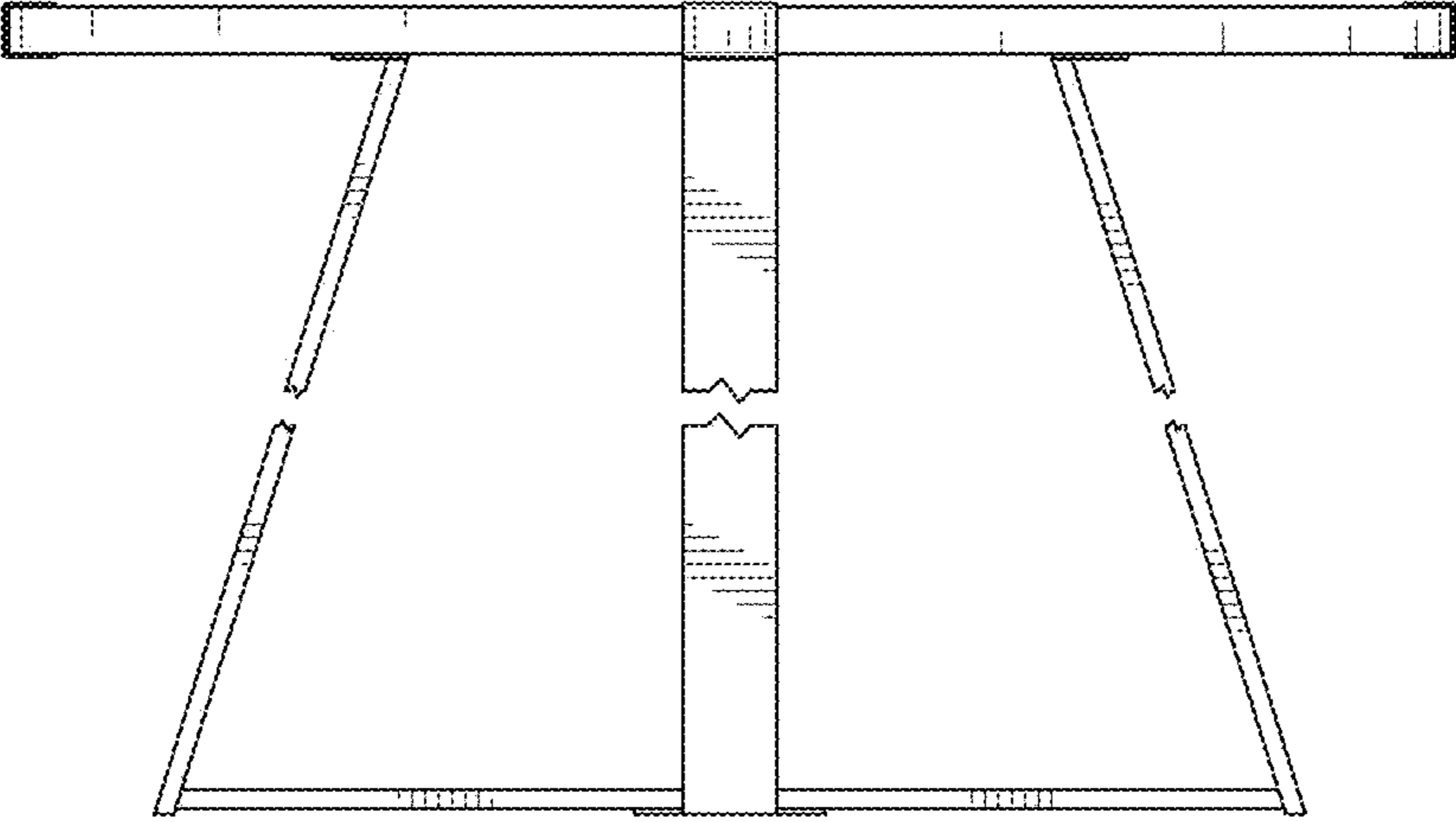


FIG. 13

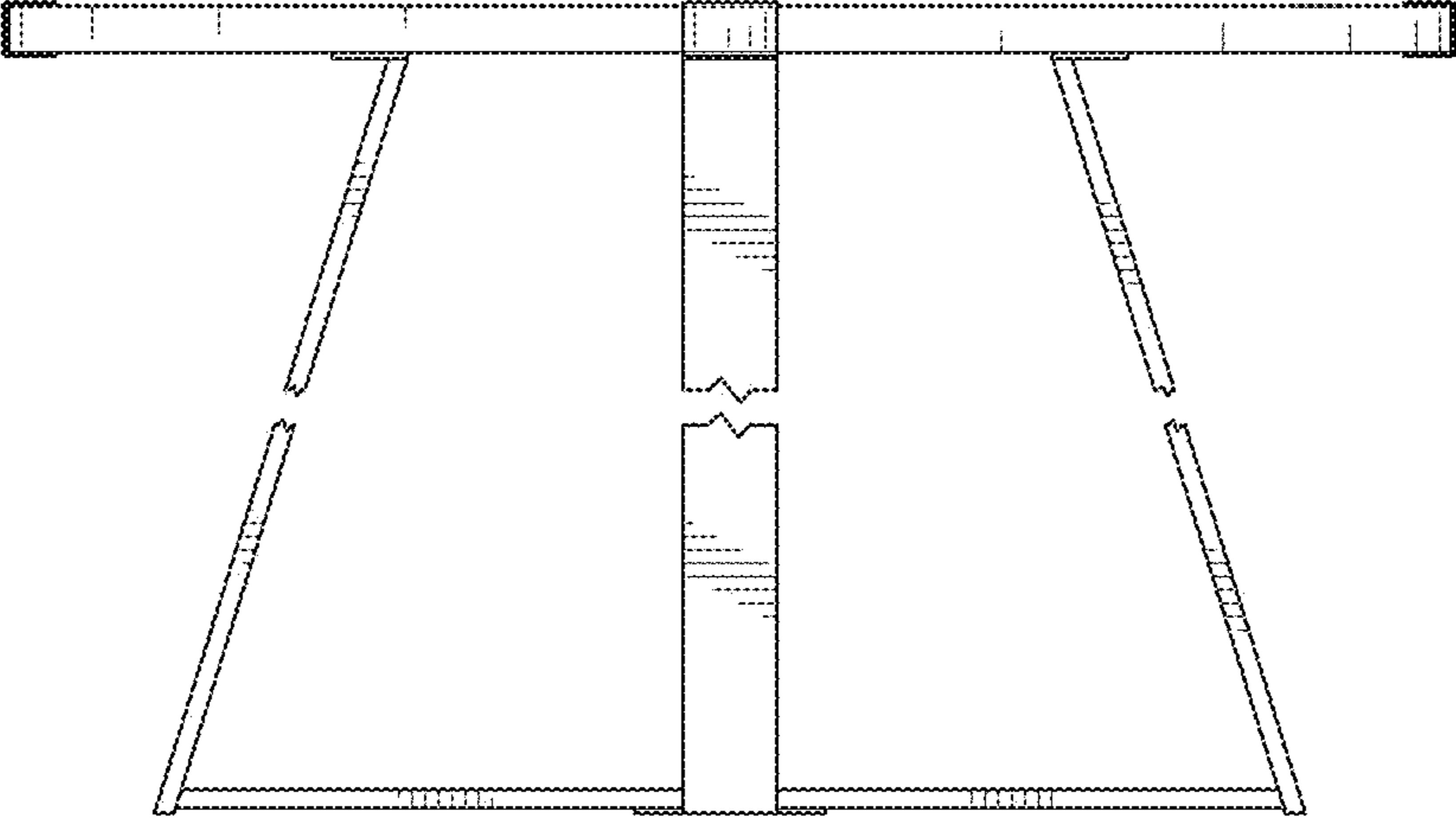


FIG. 14