



US00D900518S

(12) **United States Design Patent** (10) **Patent No.:** **US D900,518 S**
Davis et al. (45) **Date of Patent:** **** Nov. 3, 2020**

(54) **TABLE**
(71) Applicant: **Walker Edison Furniture Company, LLC**, Salt Lake City, UT (US)
(72) Inventors: **Matthew Davis**, Murray, UT (US); **Brad Bonham**, Draper, UT (US); **Richard Packer**, Kaysville, UT (US)

D304,979 S 12/1989 Bush
D313,518 S 1/1991 Bush
D343,072 S 1/1994 Schulman
D346,078 S 4/1994 Schulman
D391,421 S 3/1998 Steelman
D481,229 S 10/2003 Weaver

(Continued)

(73) Assignee: **WALKER EDISON FURNITURE COMPANY LLC**, West Jordan, UT (US)

FOREIGN PATENT DOCUMENTS

CA 165552 6/2016
CA 171260 7/2017

(Continued)

(**) Term: **15 Years**

OTHER PUBLICATIONS

(21) Appl. No.: **29/634,920**
(22) Filed: **Jan. 25, 2018**
(51) **LOC (12) Cl.** **06-03**
(52) **U.S. Cl.**
USPC **D6/691.9**
(58) **Field of Classification Search**
USPC D6/349, 641, 642, 655, 655.17, 656,
D6/656.13, 685, 686, 691, 691.1-691.9,
D6/694
CPC A47B 7/00; A47B 13/00; A47B 13/02;
A47B 13/04; A47B 13/06; A47B 13/08;
A47B 13/12; A47B 17/00; A47B 21/00;
A47B 2200/0001; A47B 2200/0011;
A47B 2200/002

52 in. A-Frame Rustic Faux Marble and Walnut Entry Console Table by Walker Edison Furniture Company—Home Depot <https://www.homedepot.com/p/Walker-Edison-Furniture-Company-52-in-A-Frame-Rustic-Faux-Marble-and-Walnut-Entry-Console-Table-HDF52AFTMNW/302034903> retrieved from the internet on Sep. 8, 2019.*

(Continued)

Primary Examiner — Mary Ann Calabrese
(74) *Attorney, Agent, or Firm* — Workman Nydegger

(57) **CLAIM**

The ornamental design for a table, as shown and described.

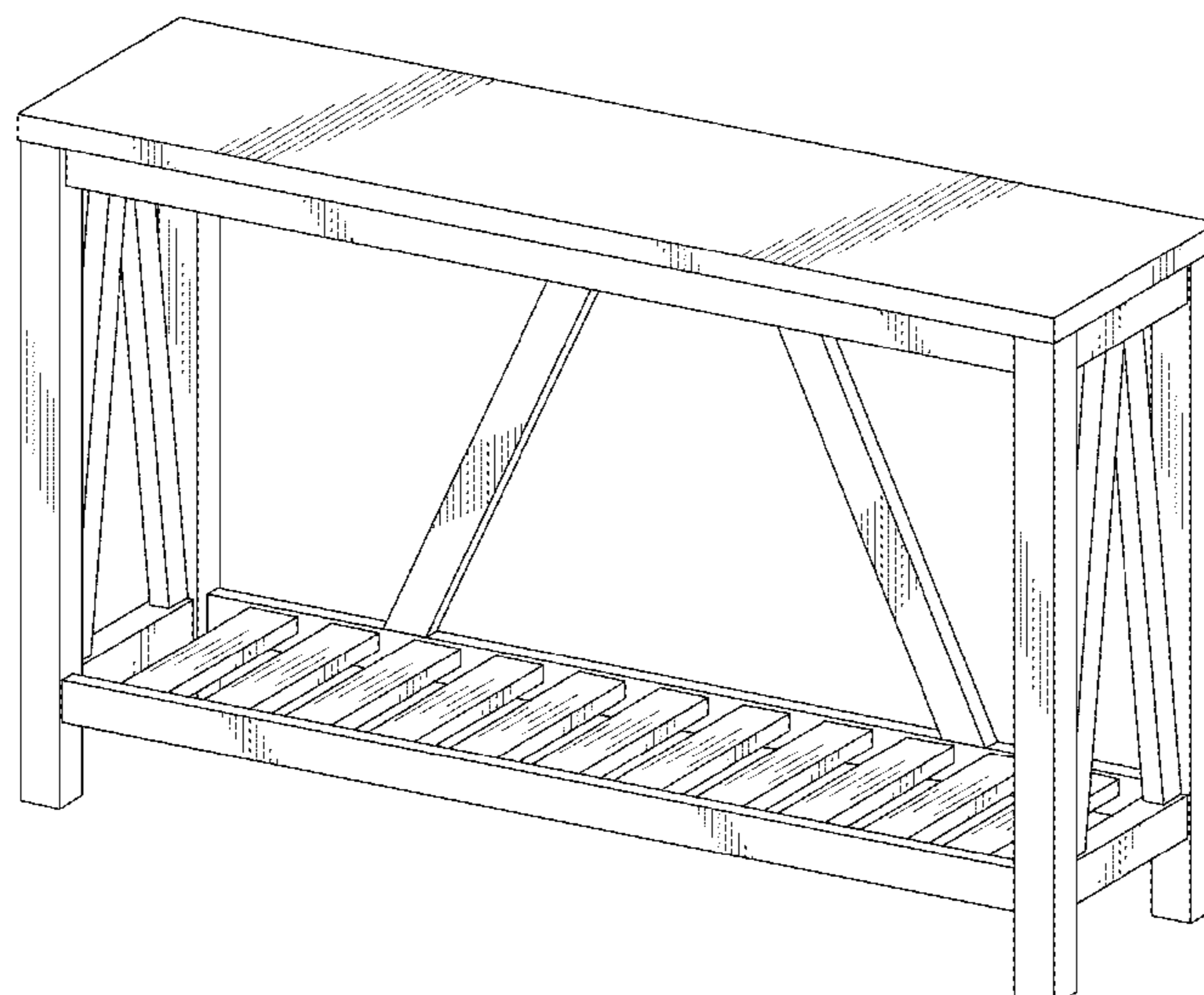
DESCRIPTION

FIG. 1 is a front perspective view of a table showing the new design;
FIG. 2 is a front elevation view thereof;
FIG. 3 is a back elevation view thereof;
FIG. 4 is a top plan view thereof;
FIG. 5 is a bottom plan view thereof;
FIG. 6 is a right elevation view thereof; and,
FIG. 7 is a left elevation view thereof.
The broken lines in the drawings illustrate portions of the table that form no part of the claimed design.

(56) **References Cited**
U.S. PATENT DOCUMENTS

D146,845 S 6/1947 Bach
D146,846 S 6/1947 Bach
D177,195 S 3/1956 Smith
D155,976 S 11/1967 Dimham
D209,404 S 11/1967 Pearlman
D242,969 S * 1/1977 Carter D6/691.2
D278,294 S 4/1985 Dau
D304,530 S 11/1989 Bush

1 Claim, 4 Drawing Sheets



(56)

References Cited

U.S. PATENT DOCUMENTS

D486,016 S	2/2004	Stanton	
D497,742 S	11/2004	Dortch	
D505,566 S	5/2005	Juneau	
D532,999 S	12/2006	Domack	
D574,635 S *	8/2008	Eustace	D6/694
D584,073 S	1/2009	Mohundro	
D669,704 S	10/2012	Zambelli	
D736,529 S *	8/2015	Cohen	D6/349
D746,614 S *	1/2016	Sheppard	D6/657
9,254,045 B2	2/2016	Nassif	
D783,316 S	4/2017	Davis	
D829,025 S	9/2018	Davis	
D851,964 S	6/2019	Davis	
D853,160 S	7/2019	Barber	
D854,864 S *	7/2019	Lim	A47B 3/08 D6/684
2010/0018442 A1 *	1/2010	Knudsen	A47B 3/08 108/176

FOREIGN PATENT DOCUMENTS

CA	179416	1/2018
CA	176181	7/2018
CA	182694	7/2018

OTHER PUBLICATIONS

52 A-Frame Rustic Entry Console Table Reclaimed Barnwood—Walmart.com <https://www.walmart.com/ip/52-A-Frame-Rustic-Entry-Console-Table-Reclaimed-Barnwood/561617562> retrieved from the internet on Sep. 9, 2019.*

46" Rustic Farmhouse Wood Computer Desk by Walker Edison Furniture Company—Home Depot <https://www.homedepot.com/p/Walker-Edison-Furniture-Company-52-in-A-Frame-Rustic-Faux-Marble-and-Walnut-Entry-Console-Table-HDF52AFTMNW/302034903> retrieved from the internet on Sep. 9, 2019.*

U.S. Appl. No. 29/634,929, filed Jan. 25, 2018, Davis.
 U.S. Appl. No. 29/573,766, filed Aug. 9, 2016, Davis.
 U.S. Appl. No. 29/656,477, filed Jul. 12, 2018, Davis.
 Small Wooden Desk With Drawers—suspilstvo.info <http://suspilstvo.info/small-wooden-desk-with-drawers/small-wooden-desk-with-drawers-wood-desk-with-drawers-modern-solid-wood-desk-computer-study-show-homes-minimalist-with-drawers-m-wood-desk-with-draweers-small-wood-comput> retrieved from the internet on Nov. 5, 2018.
 Legend Desk—Harvey Norman <https://www.harveynorman.co.nz/furniture/home-office-equip/desks-and-suites/legend-desk.html> retrieved from the internet on Nov. 5, 2018.
 Diana Desk with Drawer-walmart.com <https://www.walmart.com/ip/Diana-Desk-with-Drawer/126384407?sourceid=csebr035413> retrieved from the internet on Nov. 5, 2018.
 48 in. White Oak Open-Top Storage Bench with Shoe Shelf, [online] Retrieved Oct. 15, 2019 from URL: <https://www.homedepot.com/p/Walker-Edison-Furniture-Company-48-in-White-Oak-Open-Top-Storage-Bench-with-Shoe-Shelf-HD48PCSBWO/303295636>.
 50" Entryway Bench with Slatted Shelf—50×14×18h. [online] Retrieved Oct. 8, 2019 from URL: <https://www.overstock.com/Home-Garden/50-Entryway-Bench-with-Slatted-Shelf-50-x-14-x-18h/17179515/product.html?option=28693203>.
 Ermont Wood Storage Bench, [online] Retrieved Oct. 8, 2019 from URL: <https://www.allmodern.com/furniture/pdp/ermont-wood-storage-bench-lrfy1915.html>.
 Notice of Allowance in U.S. Appl. No. 29/634,929, dated Nov. 1, 2019.
 U.S. Appl. No. 29/656,477, filed Sep. 13, 2019.
 U.S. Appl. No. 29/720,947, filed Jan. 16, 2020, Davis.
 U.S. Appl. No. 29/656,477, Jan. 30, 2020, Notice of Allowance.
 Odetta Desk; anthropologie.com; <https://www.anthropologie.com/shop/odetta-desk?color=006&size=0000>; Retrieved on Aug. 20, 2018.
 Pinterest; Odetta Desk—Anthropologie; <https://www.pinterest.com/pin/33636328453037064/>; Retrieved on Aug. 20, 2018.
 U.S. Appl. No. 29/654,952, Apr. 21, 2020, Notice of Allowance.

* cited by examiner

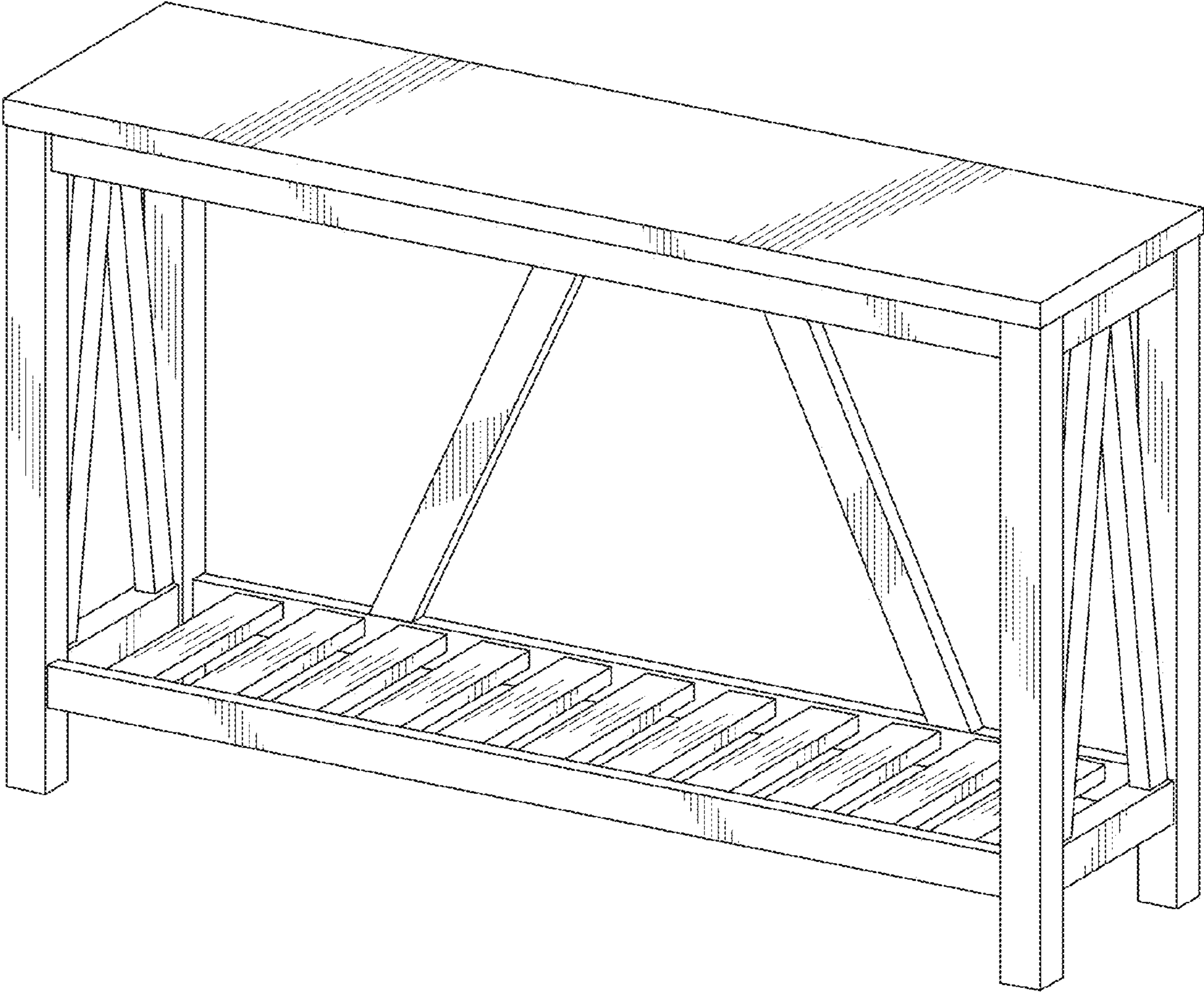


FIG. 1

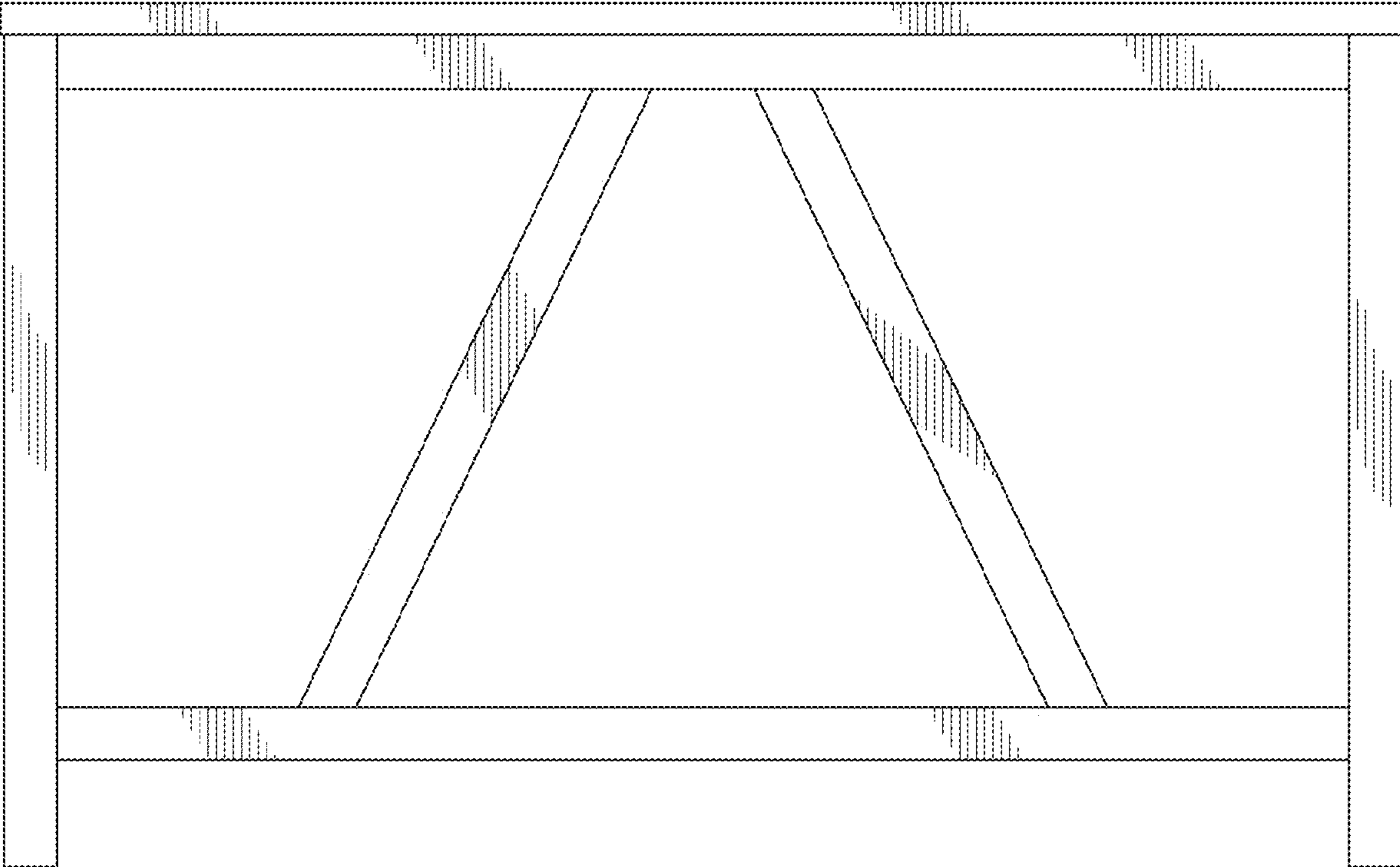


FIG. 2

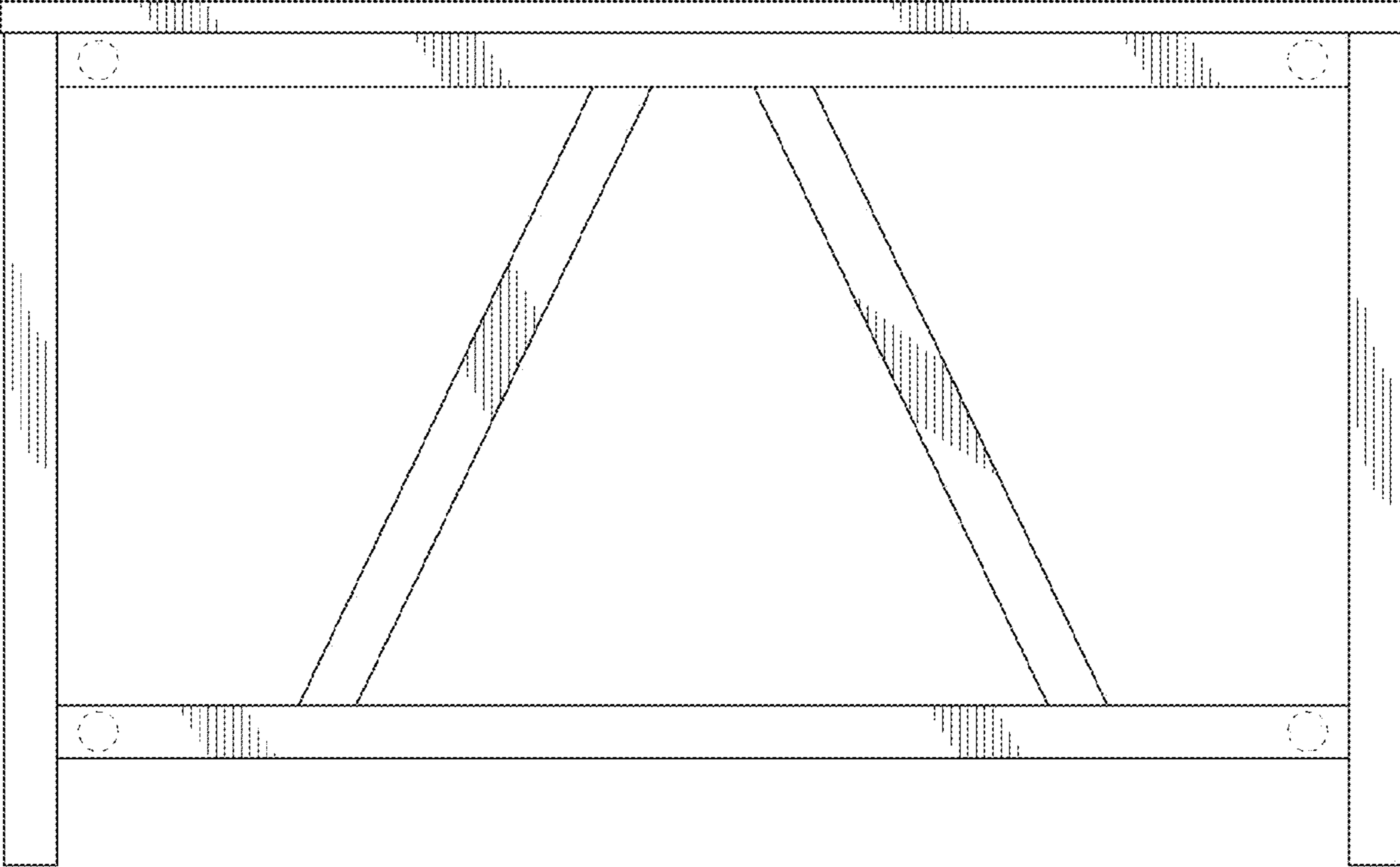


FIG. 3

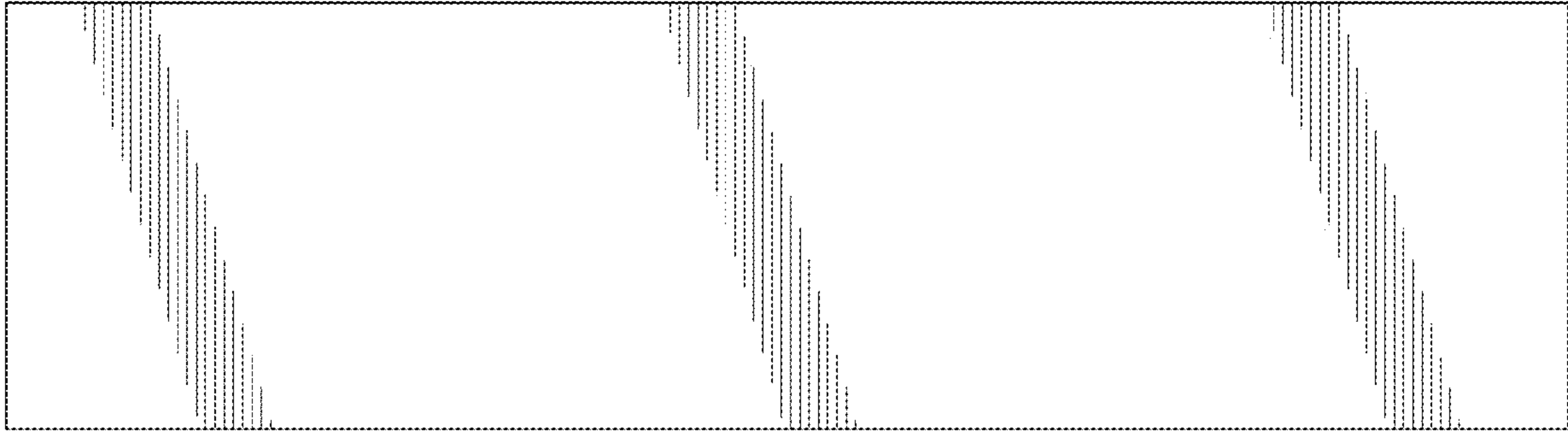


FIG. 4

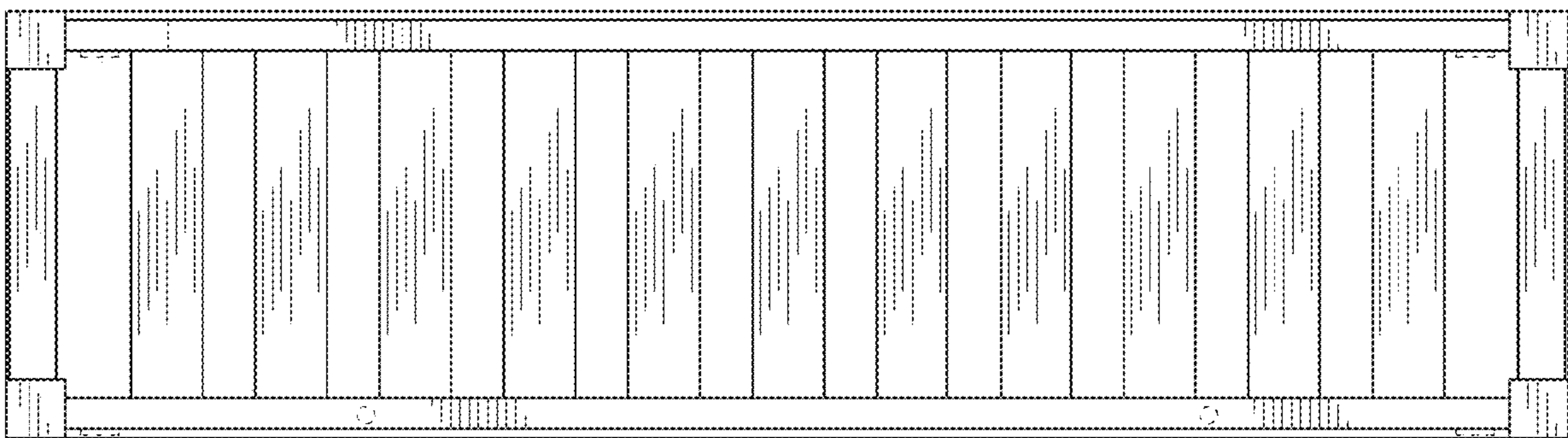


FIG. 5

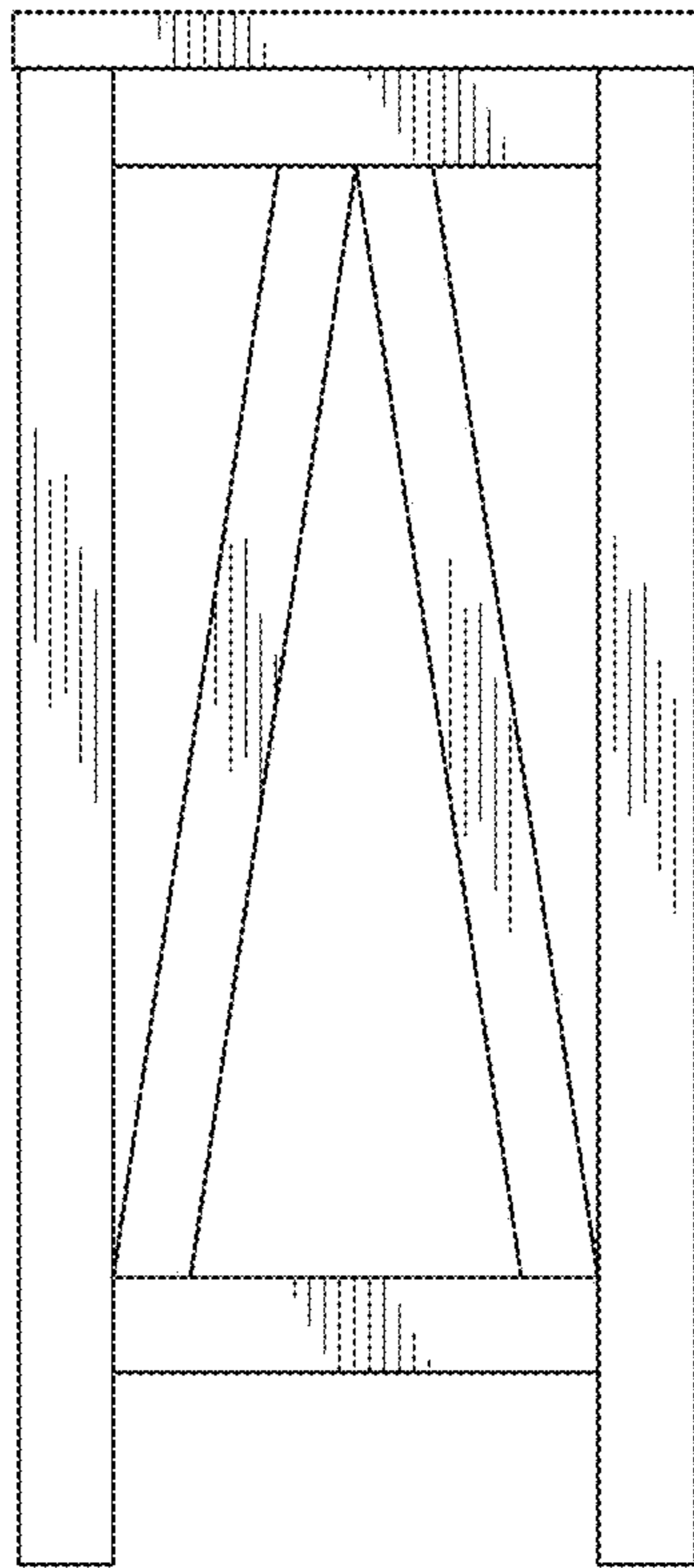


FIG. 6

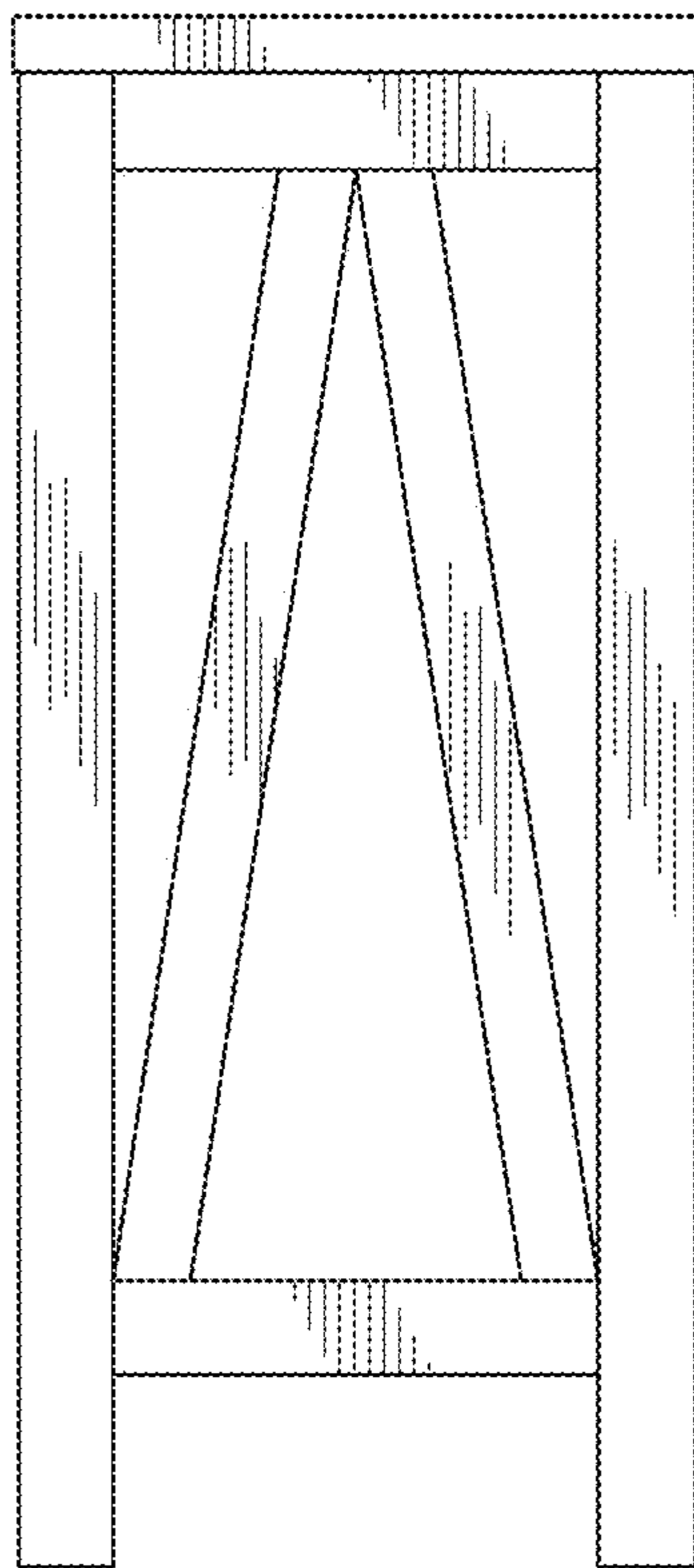


FIG. 7