



US00D900517S

(12) **United States Design Patent** (10) **Patent No.:** **US D900,517 S**  
**Smith et al.** (45) **Date of Patent:** **\*\* Nov. 3, 2020**

(54) **DISPLAY STAND**

(71) Applicant: **All Plastic, Inc.**, Gold River, CA (US)

(72) Inventors: **William Thomas Smith**, Fair Oaks, CA (US); **Cheryl Ann Smith**, Fair Oaks, CA (US)

(73) Assignee: **ALL PLASTIC, INC.**, Gold River, CA (US)

(\*\*) Term: **15 Years**

(21) Appl. No.: **29/717,545**

(22) Filed: **Dec. 18, 2019**

**Related U.S. Application Data**

(62) Division of application No. 29/668,887, filed on Nov. 2, 2018, now Pat. No. Des. 878,120.

(51) **LOC (12) Cl.** ..... **06-06**

(52) **U.S. Cl.**  
USPC ..... **D6/682.1**

(58) **Field of Classification Search**  
USPC ..... D6/672, 678, 678.2, 682, 682.1, 682.2, D6/682.3, 683.4; D3/304-305, 313-316  
(Continued)

(56) **References Cited**

**U.S. PATENT DOCUMENTS**

D141,059 S 5/1945 Siegel  
2,409,814 A \* 10/1946 Vargish ..... A47G 1/141  
40/745

(Continued)

**OTHER PUBLICATIONS**

[https://www.shoppopdisplays.com/11228/5x7-slant-back-economy-plastic-sign-holder.html?gclid=Cj0KCQjwoaz3BRDnARIsAF1RfLcKmNpKHVi3-6xS3kInObiWd35Drs9R5TAX9VB0Ld2N1IvOaNq0h-waAve4EALw\\_wcB](https://www.shoppopdisplays.com/11228/5x7-slant-back-economy-plastic-sign-holder.html?gclid=Cj0KCQjwoaz3BRDnARIsAF1RfLcKmNpKHVi3-6xS3kInObiWd35Drs9R5TAX9VB0Ld2N1IvOaNq0h-waAve4EALw_wcB) Jun. 18, 2020.\*

(Continued)

*Primary Examiner* — Kelley A Donnelly

(74) *Attorney, Agent, or Firm* — Ballard Spahr LLP

(57) **CLAIM**

We claim the ornamental design for a display stand, as shown and described.

**DESCRIPTION**

FIG. 1 is a perspective view of our design of a display stand according to our invention;

FIG. 2 is a top plan view of the display stand shown in FIG. 1;

FIG. 3 is a bottom plan view of the display stand shown in FIG. 1;

FIG. 4 is a left side view of the display stand shown in FIG. 1;

FIG. 5 is a right side view of the display stand shown in FIG. 1;

FIG. 6 is a front view of the display stand shown in FIG. 1;

FIG. 7 is a rear view of a display stand shown in FIG. 1;

FIG. 8 is a perspective view of the display stand shown in FIG. 1;

FIG. 9 is a perspective view of our design of a display stand according to our invention;

FIG. 10 is a top plan view of the display stand shown in FIG. 9;

FIG. 11 is a bottom plan view of the display stand shown in FIG. 9;

FIG. 12 is a left side view of the display stand shown in FIG. 9;

FIG. 13 is a right side view of the display stand shown in FIG. 9;

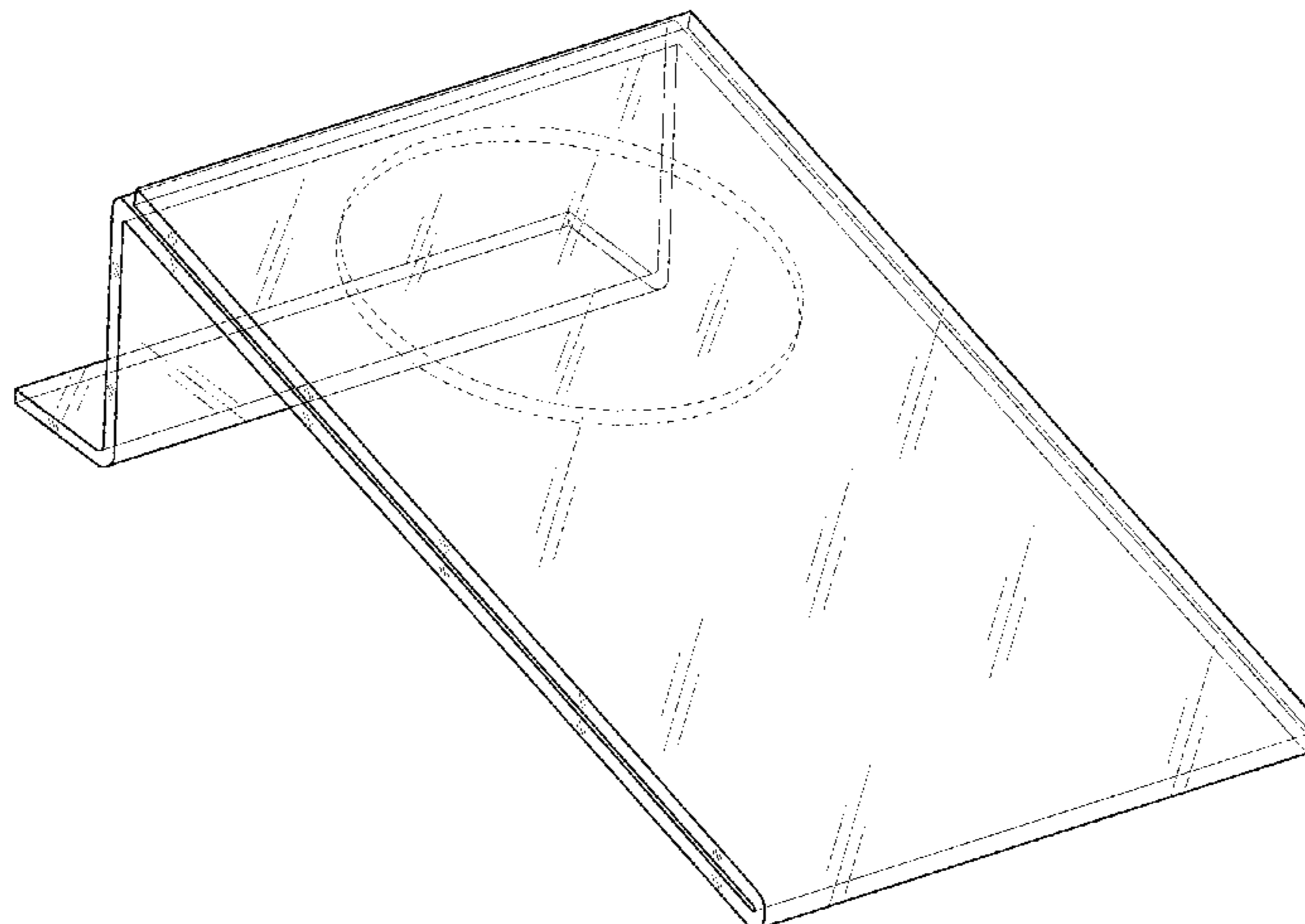
FIG. 14 is a front view of the display stand shown in FIG. 9;

FIG. 15 is a rear view of a display stand shown in FIG. 9; and,

FIG. 16 is a perspective view of the display stand shown in FIG. 9.

The broken lines depict portions of the display stand that form no part of the claimed design. The bold, wavy lines do

(Continued)



not constitute a feature of the claimed design, and are included for illustrative purposes only in order to define the boundary of the design.

**1 Claim, 16 Drawing Sheets**

**(58) Field of Classification Search**

CPC ..... A47B 73/00; A47B 81/006; A47F 5/0018; A47F 5/16; A47F 7/28; A47F 7/283  
See application file for complete search history.

**(56) References Cited**

U.S. PATENT DOCUMENTS

2,434,860 A 1/1948 Oxley  
2,881,008 A 4/1959 Goldman  
2,982,568 A 5/1961 Wolfe  
3,086,658 A \* 4/1963 Palmer ..... B42D 5/005  
211/50  
D205,123 S \* 6/1966 Giesecke ..... D6/311  
D228,998 S \* 11/1973 Rozman ..... D6/310  
D238,528 S \* 1/1976 Crawford ..... D6/314  
4,073,460 A \* 2/1978 Dale ..... B43M 99/00  
248/174  
D247,944 S \* 5/1978 Gaiti ..... D6/314  
4,165,572 A \* 8/1979 Sussman ..... G09F 7/002  
40/661  
4,442,617 A \* 4/1984 Frye ..... G09F 1/14  
40/661  
D274,703 S 7/1984 Vogel  
D278,109 S 3/1985 Leeds  
D284,777 S \* 7/1986 Anthony ..... D19/91  
4,771,976 A \* 9/1988 Su ..... A47B 19/06  
108/102  
D298,553 S \* 11/1988 Zobitz ..... D20/43  
D319,150 S \* 8/1991 Biddlecom ..... D6/314  
D329,558 S \* 9/1992 Keown ..... D19/90  
5,209,452 A \* 5/1993 Goldberg ..... A47B 21/0371  
248/118  
5,248,870 A 9/1993 Redal  
D354,520 S 1/1995 Pong  
D368,184 S 3/1996 Eley  
D393,104 S 3/1998 Wolff  
D396,562 S \* 8/1998 Kenney ..... D6/300  
5,878,982 A \* 3/1999 Cumby ..... A01G 5/04  
211/13.1  
5,979,097 A \* 11/1999 Moore ..... G09F 1/12  
40/124.03  
D437,711 S 2/2001 Berg  
D444,304 S 7/2001 Polonsky  
D444,646 S 7/2001 Weisz et al.  
6,415,537 B1 \* 7/2002 Kenney ..... A47G 1/142  
40/649  
D461,977 S \* 8/2002 Mitchell ..... D6/701  
6,484,429 B1 \* 11/2002 Przylucki ..... G09F 3/20  
248/174  
D468,542 S 1/2003 Henckes et al.  
6,523,291 B2 \* 2/2003 Nagel ..... G09F 3/20  
40/649

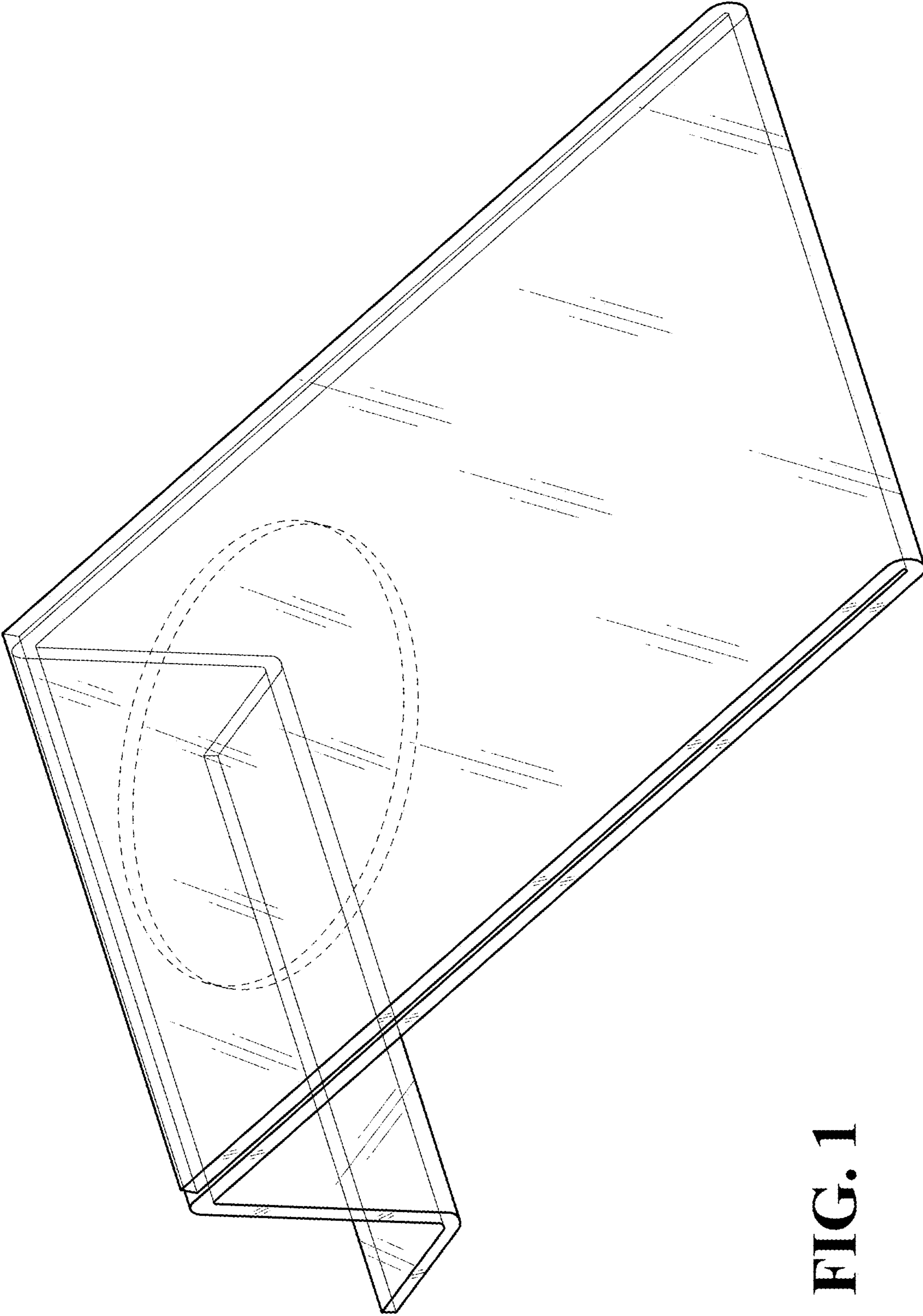
D497,516 S \* 10/2004 Roberts ..... D7/601  
D505,841 S 6/2005 Fiedeler et al.  
D526,855 S 8/2006 Wolff  
D528,876 S \* 9/2006 King ..... D7/701  
D534,730 S 1/2007 Hardy  
D550,515 S 9/2007 Chiang et al.  
D595,782 S \* 7/2009 Whitfield ..... D20/43  
D616,501 S \* 5/2010 Maier-Hunke ..... D20/10  
D622,079 S 8/2010 Stukenberg et al.  
D632,122 S 2/2011 Foster  
D640,750 S \* 6/2011 Bird ..... D20/44  
D670,919 S 11/2012 Shamoon  
D695,987 S 12/2013 Starr  
D698,641 S 2/2014 Theisen et al.  
D699,790 S \* 2/2014 Zhu ..... D20/43  
D705,359 S \* 5/2014 Kopco ..... D20/43  
D715,078 S 10/2014 Bibeau  
D724,597 S 3/2015 Akana et al.  
9,038,300 B2 \* 5/2015 Theisen ..... G09F 3/204  
40/658  
D747,112 S 1/2016 Weidner  
D748,730 S \* 2/2016 Kopco ..... D20/43  
D748,731 S \* 2/2016 Kopco ..... D20/43  
D748,732 S \* 2/2016 Kopco ..... D20/43  
D756,226 S 5/2016 In et al.  
D758,847 S 6/2016 Stuart et al.  
D768,441 S \* 10/2016 Rook ..... D7/600.1  
D769,653 S 10/2016 Peltosaari  
D779,478 S 2/2017 Justiss et al.  
D787,840 S 5/2017 Spigler  
9,677,704 B1 \* 6/2017 Thelen ..... F16M 13/00  
D800,735 S 10/2017 Akana et al.  
D802,344 S \* 11/2017 Bailey ..... D6/705  
D812,939 S 3/2018 Modlin  
D817,105 S \* 5/2018 Stuart ..... D7/600.1  
D820,623 S 6/2018 Akana et al.  
D829,510 S 10/2018 Harms  
D832,698 S 11/2018 Uglialoro  
D834,575 S \* 11/2018 Su ..... D14/374  
D837,799 S 1/2019 Chan et al.  
D847,269 S 4/2019 Leung  
D859,894 S 9/2019 Smith et al.  
D872,518 S 1/2020 Robb  
2004/0074127 A1 \* 4/2004 Schneider ..... G09F 1/12  
40/661  
2006/0278665 A1 12/2006 Bennett  
2010/0282924 A1 \* 11/2010 Boies ..... A47B 23/042  
248/163.1  
2018/0310708 A1 \* 11/2018 Watson ..... A47F 5/105  
2019/0075946 A1 3/2019 Tran

OTHER PUBLICATIONS

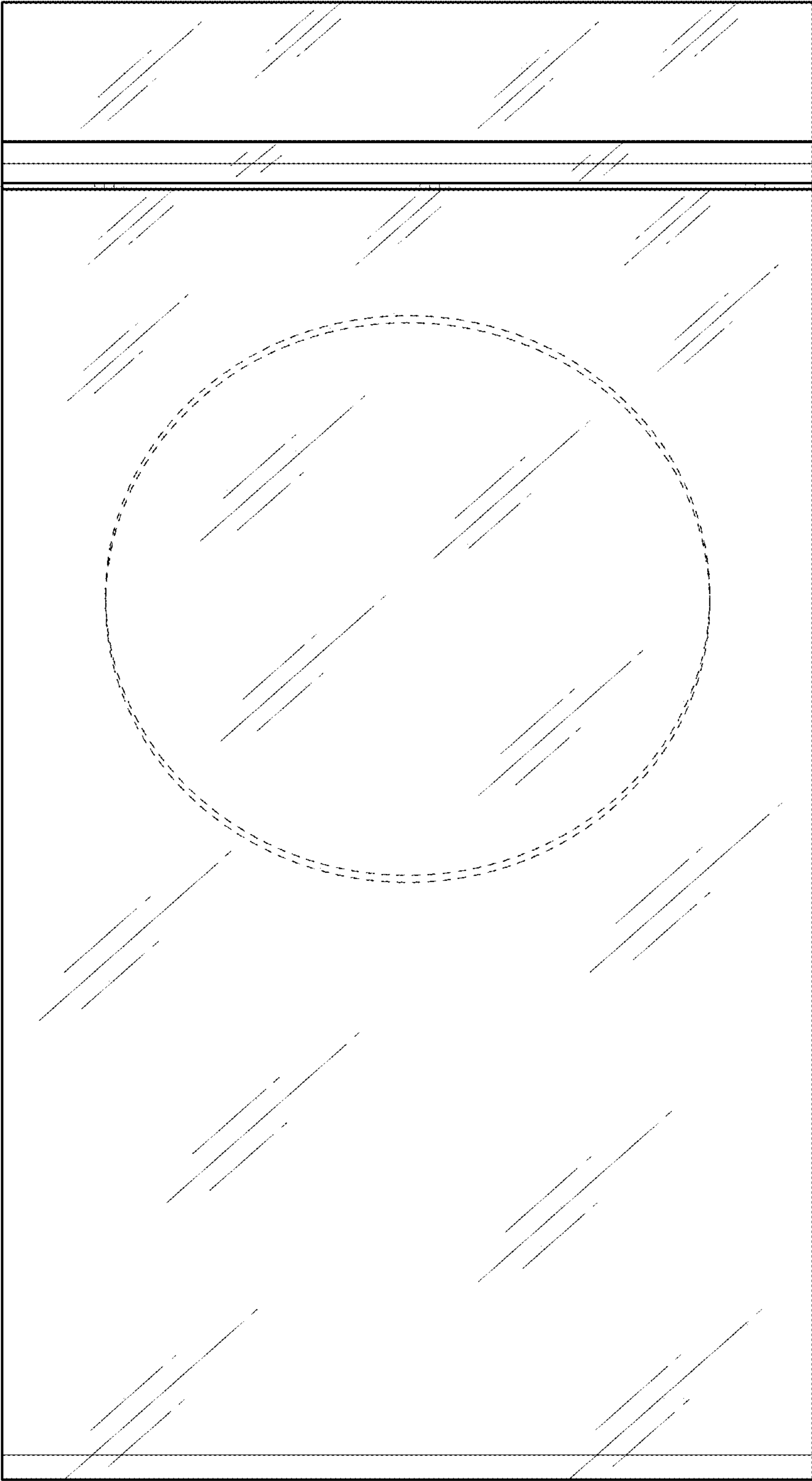
[https://www.alibaba.com/product-detail/Acrylic-Menu-Card-Table-Holder-Plastic\\_60693974666.html](https://www.alibaba.com/product-detail/Acrylic-Menu-Card-Table-Holder-Plastic_60693974666.html) Jun. 18, 2020.\*  
“Napkin Holder.” Publication believed to be in 2016 (unable to confirm publication date) (1 page).  
shopPOPdisplays. “Clear Acrylic Coaster Set w/ Rack.” Available: <https://www.shoppopdisplays.com/11215/clear-acrylic-coaster-set-w-rack.html>. Earliest known date: Jul. 25, 2016 (5 pages).

\* cited by examiner

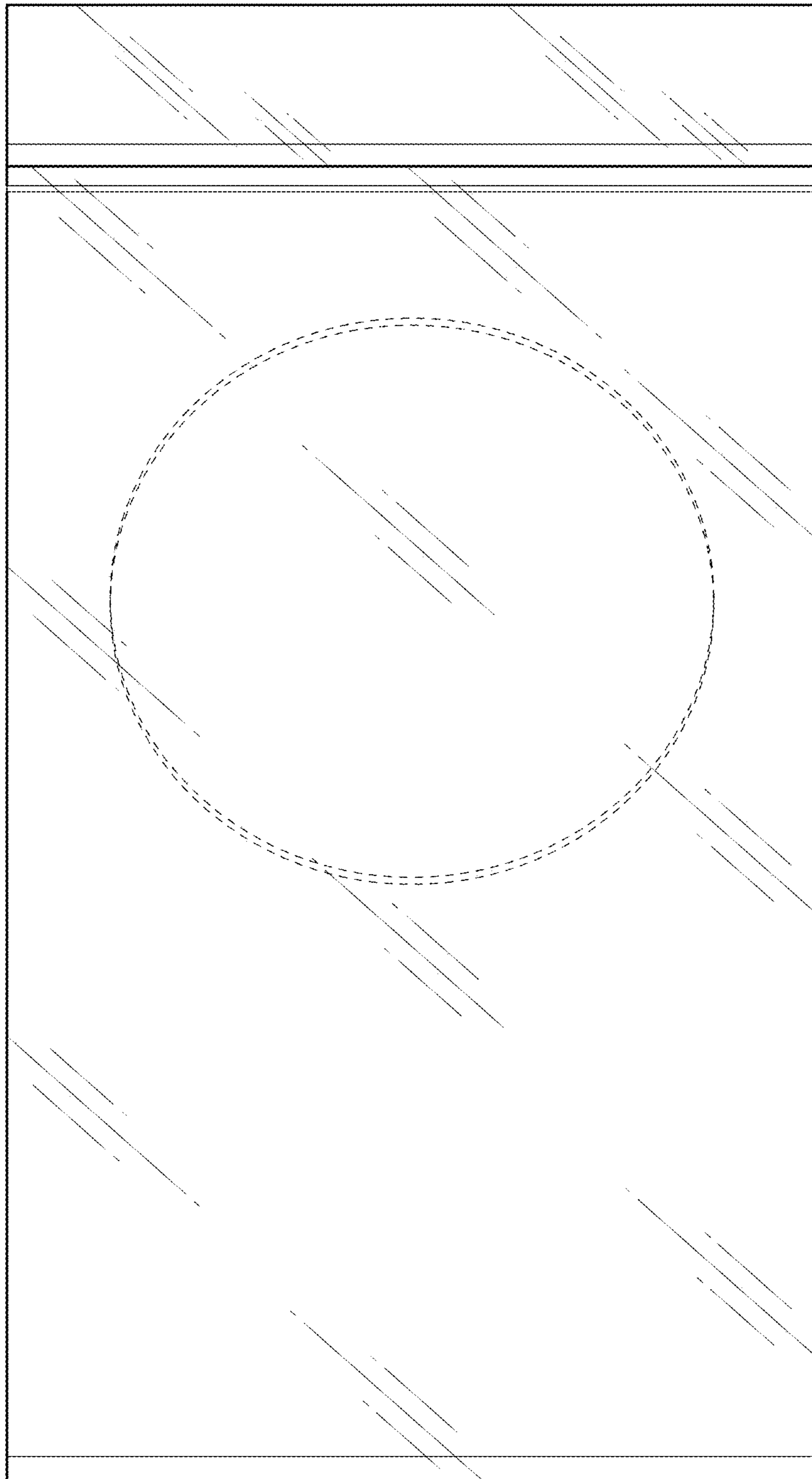




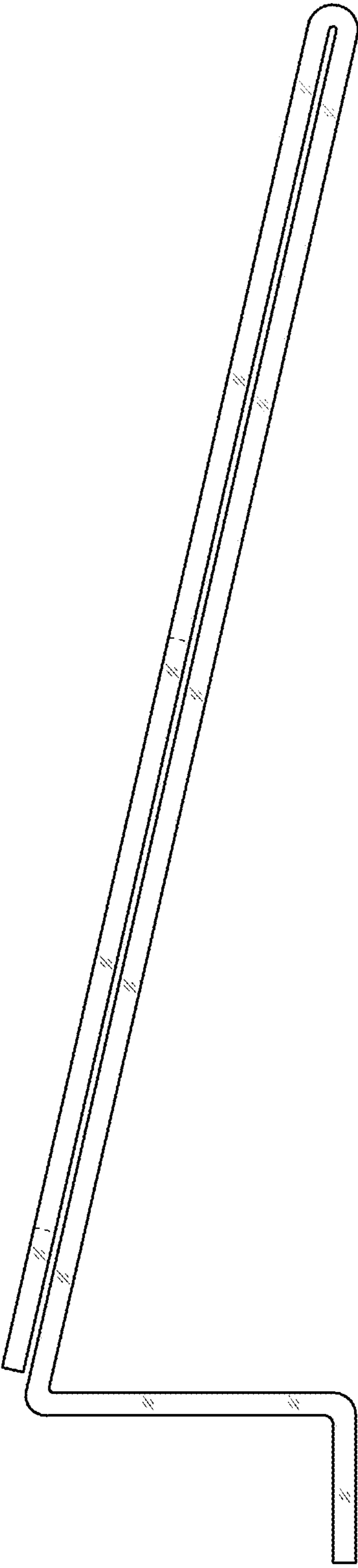
**FIG. 1**



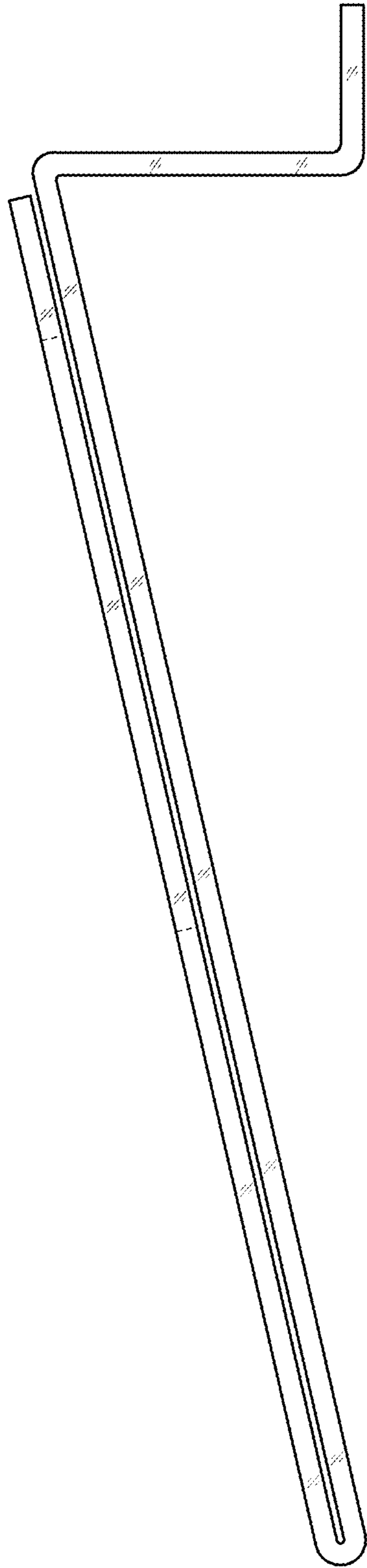
**FIG. 2**



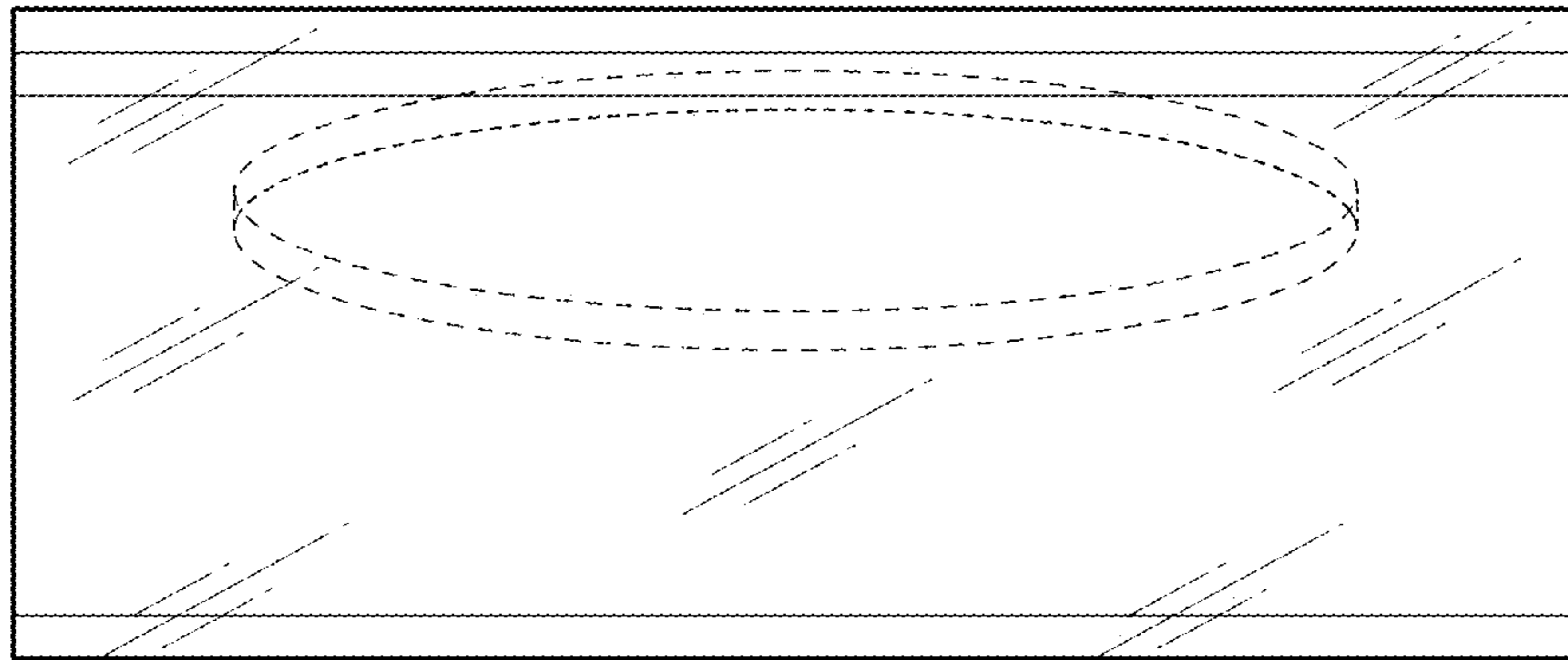
**FIG. 3**



**FIG. 4**

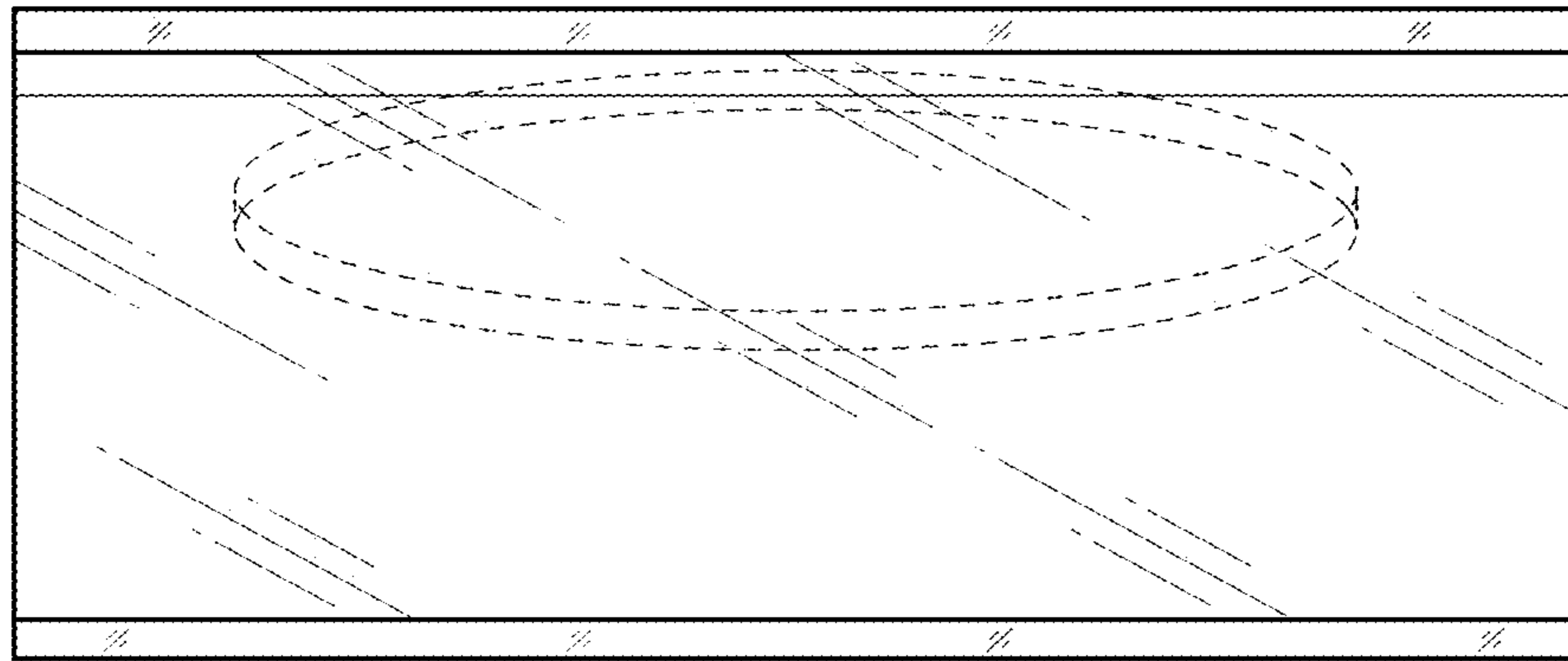


**FIG. 5**



**FIG. 6**





**FIG. 7**

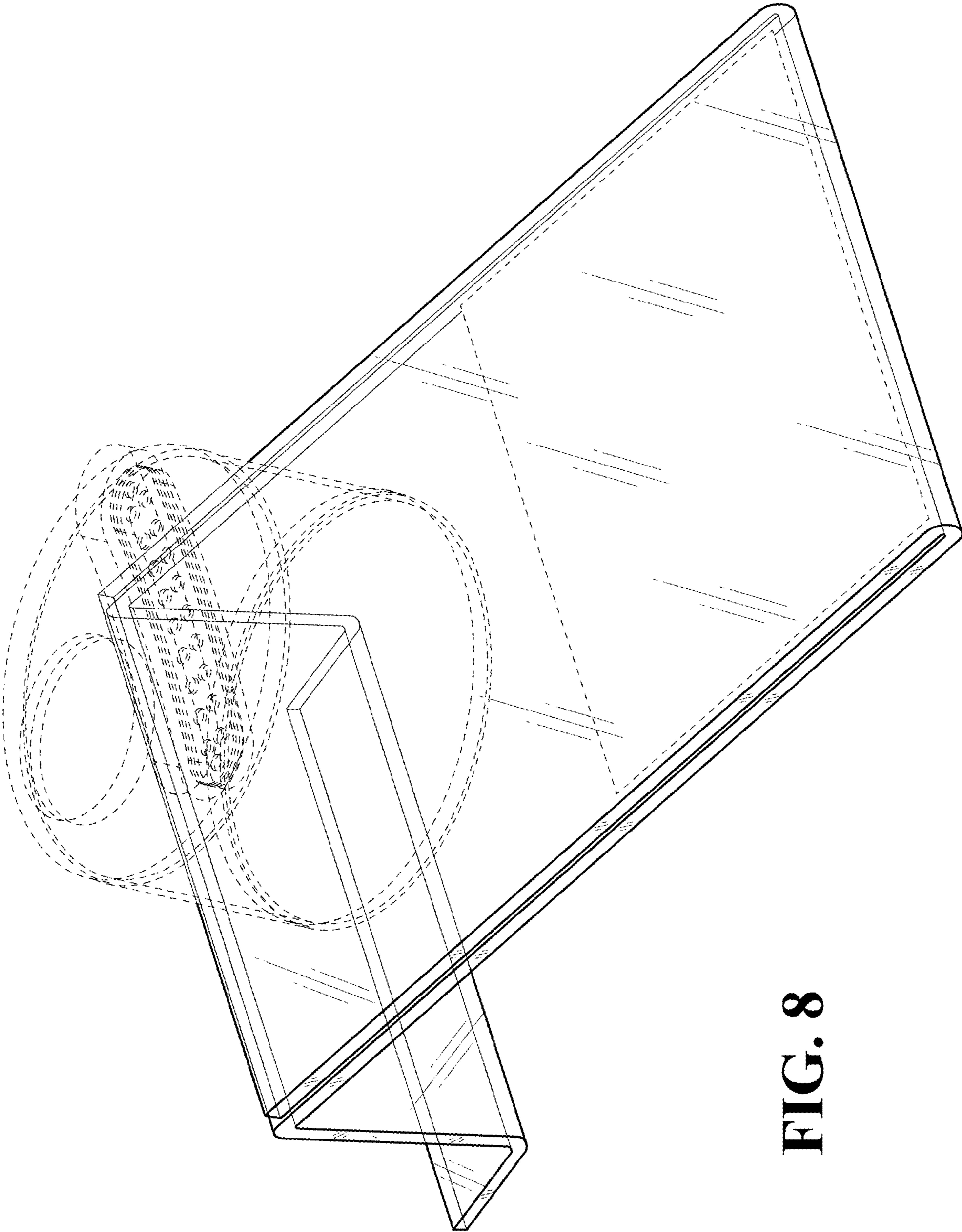


FIG. 8

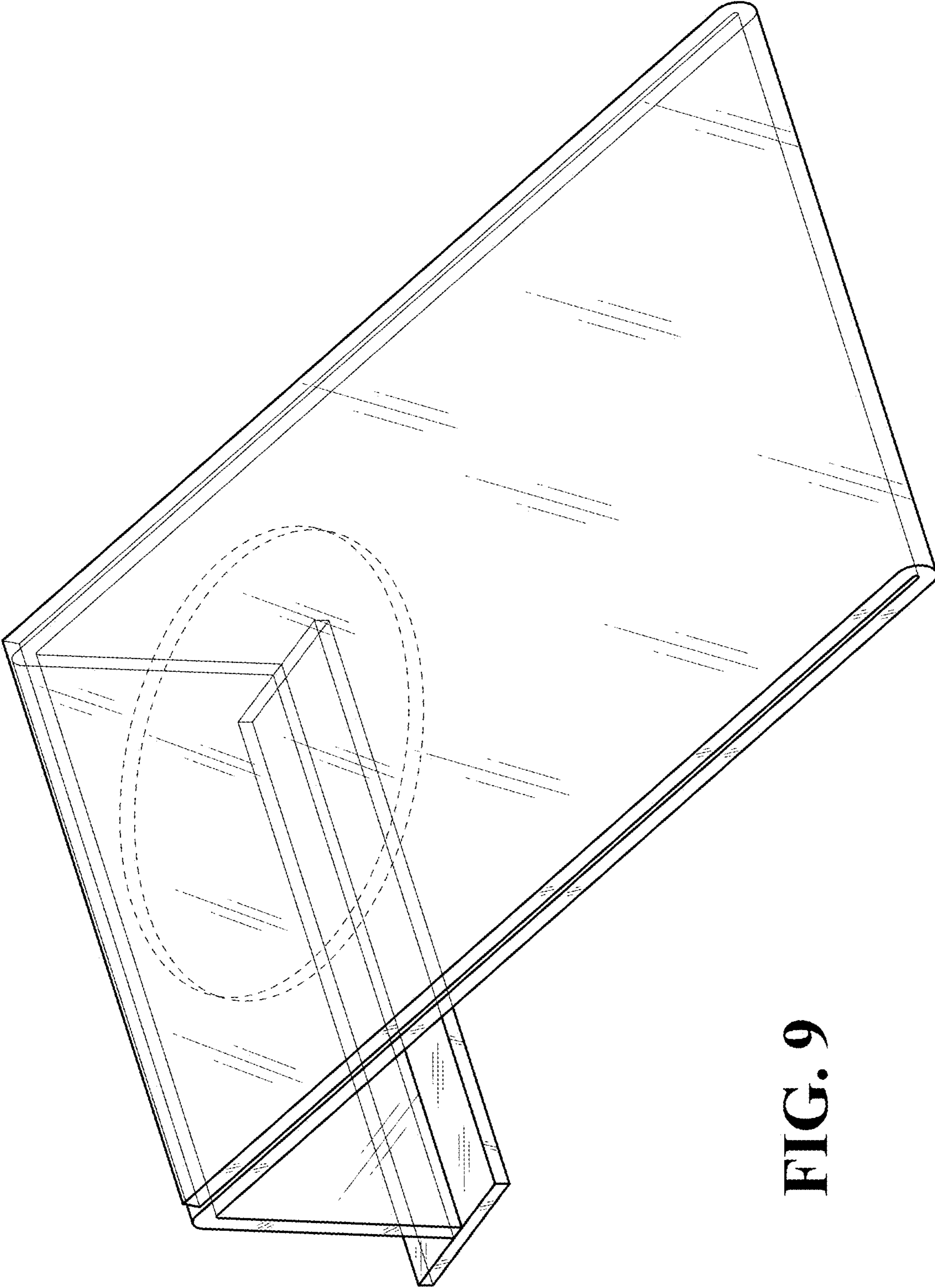
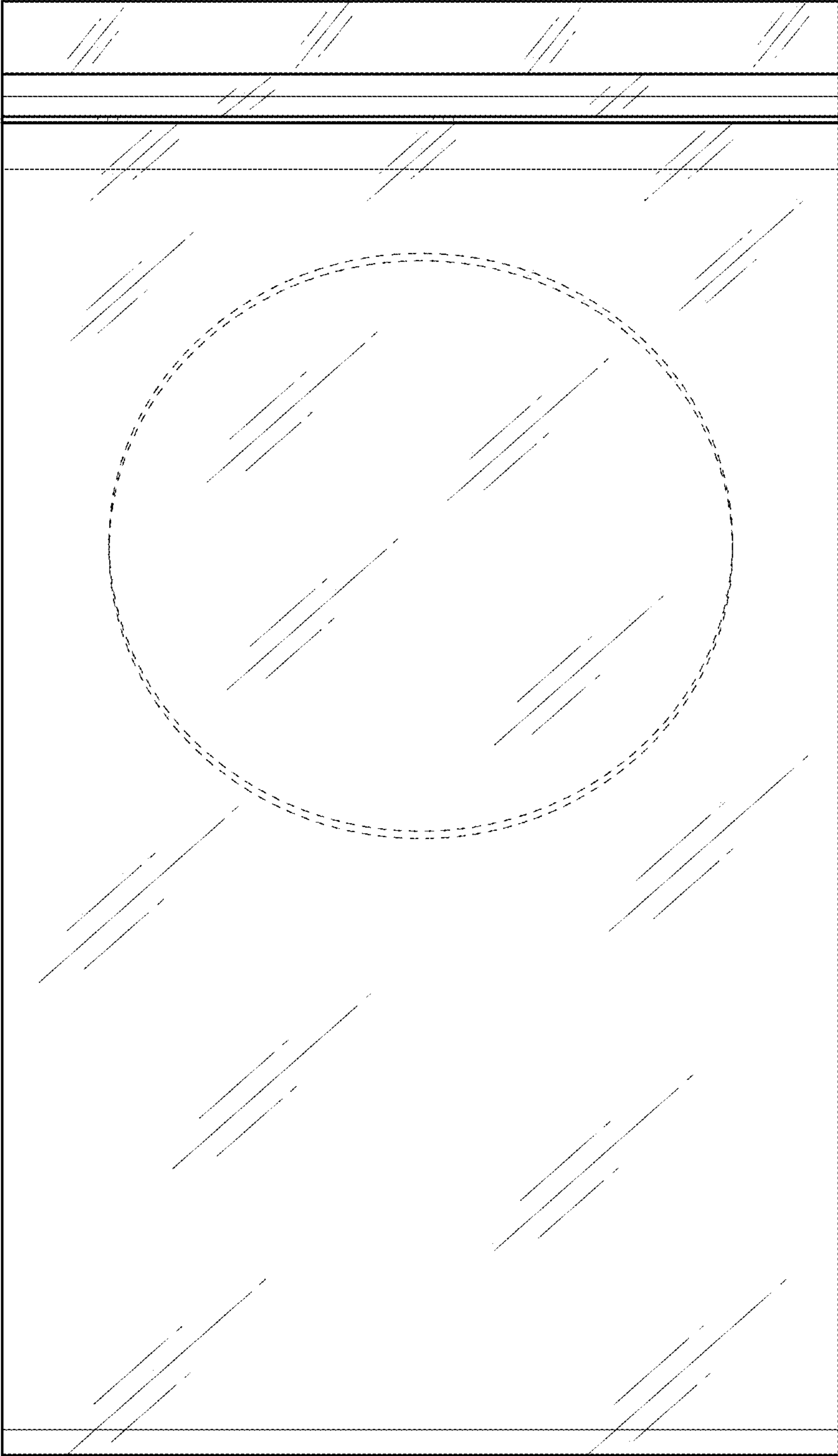
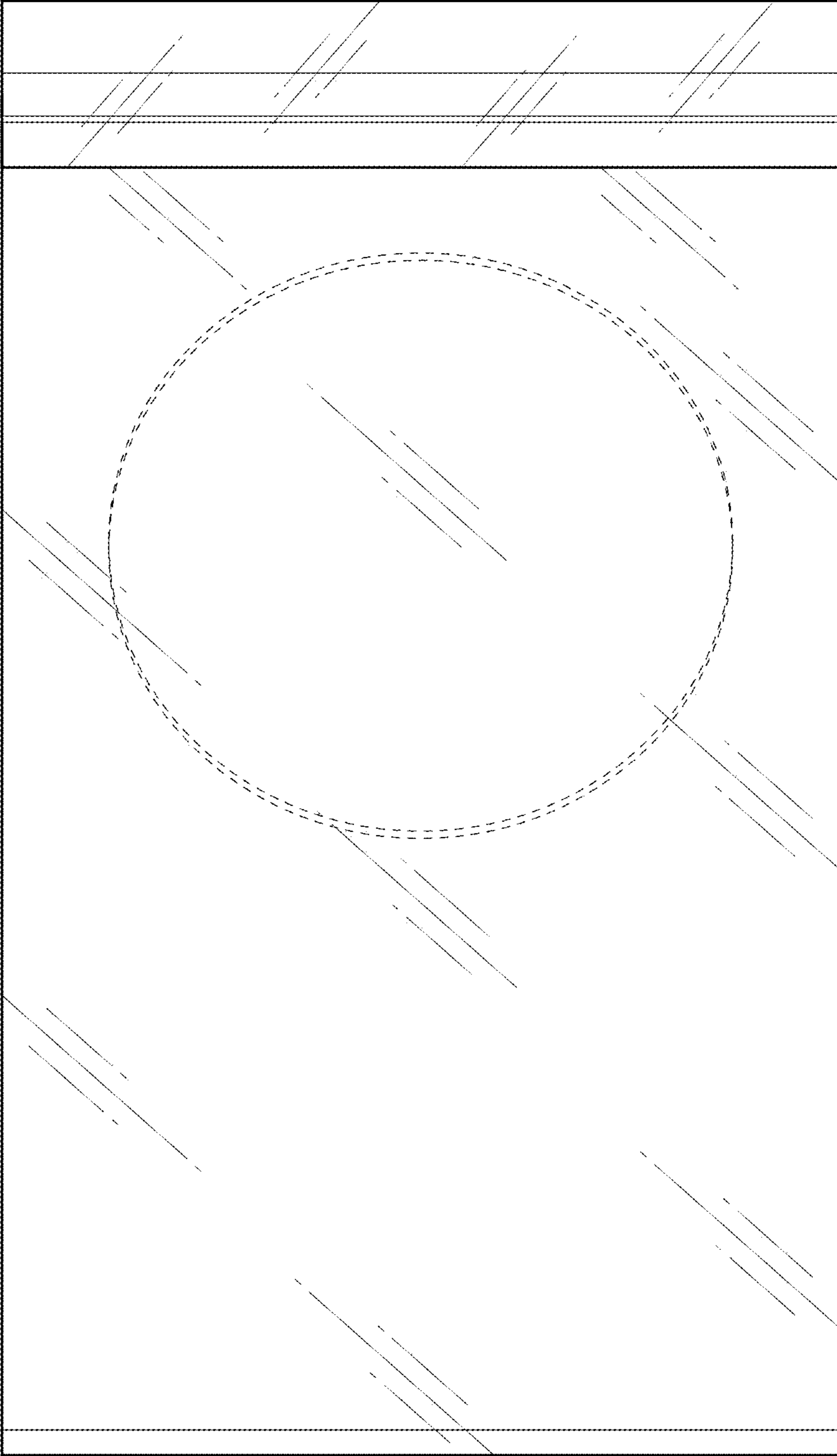


FIG. 9



**FIG. 10**



**FIG. 11**



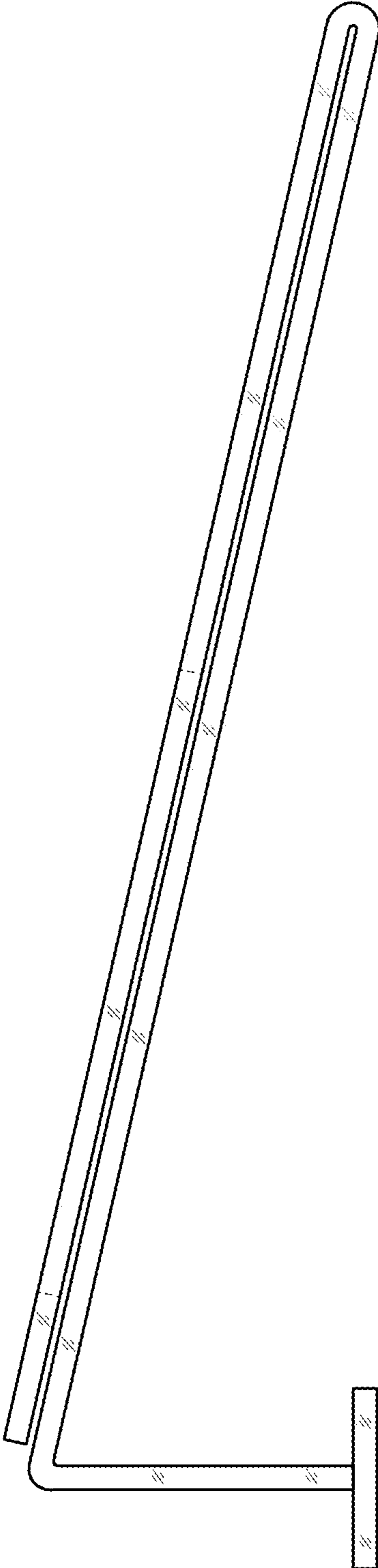


FIG. 12

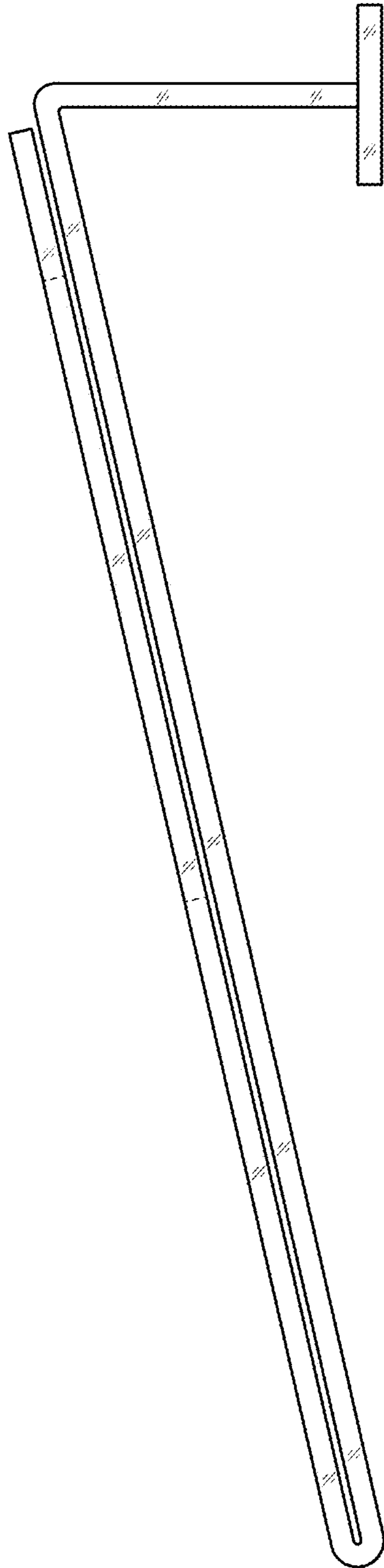
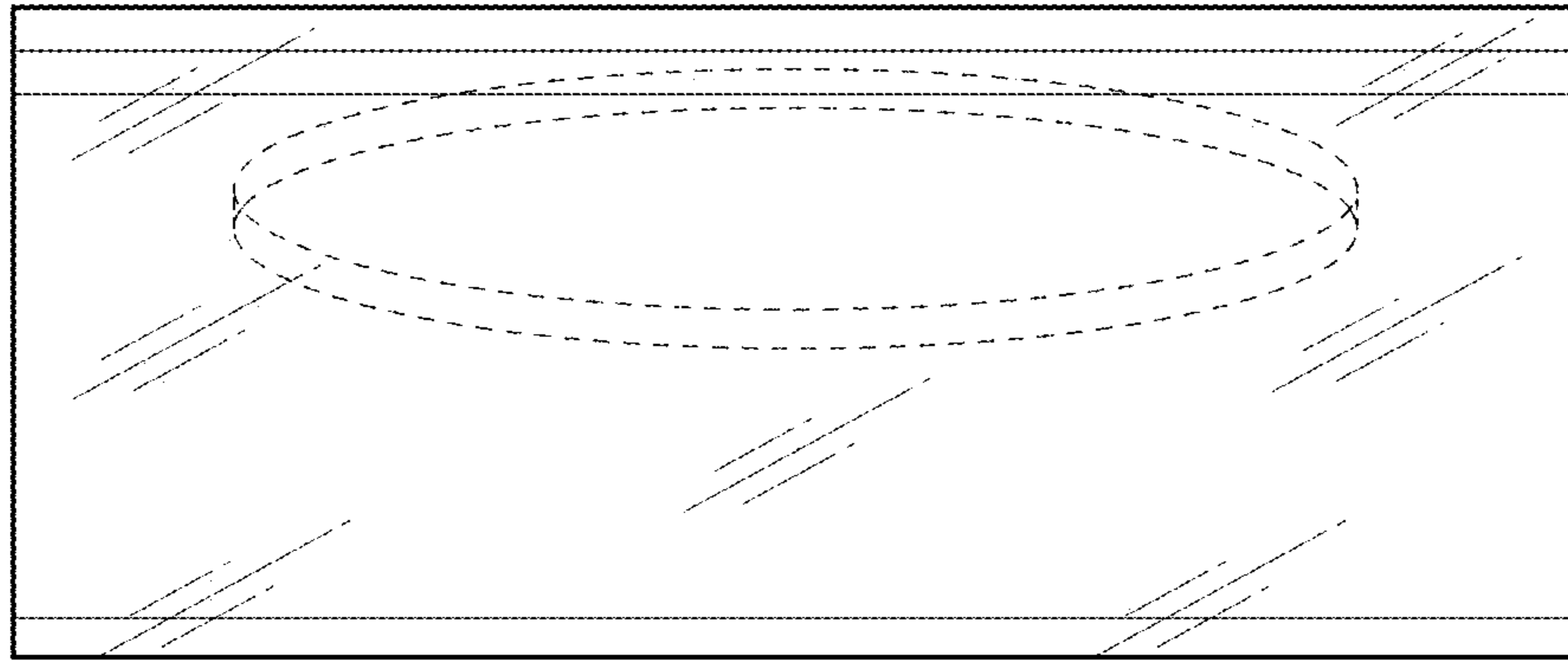
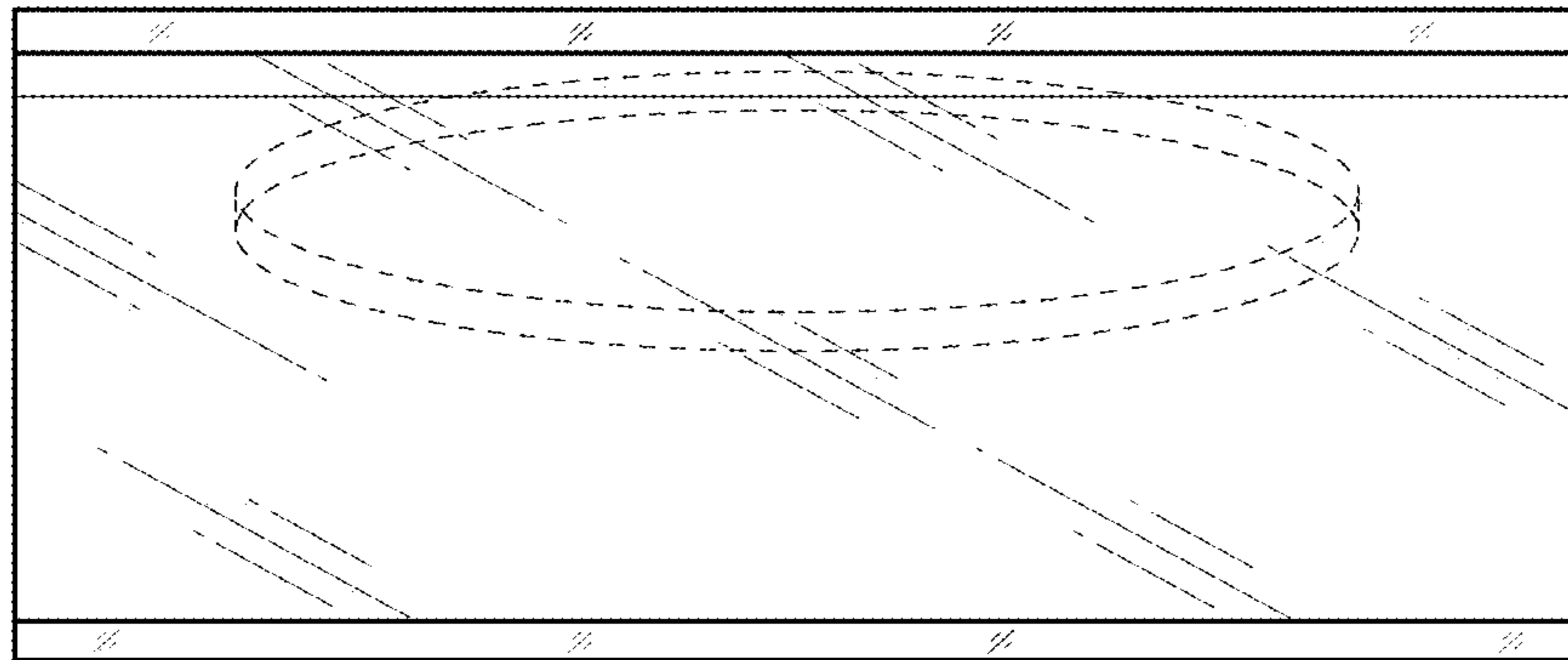


FIG. 13



**FIG. 14**



**FIG. 15**

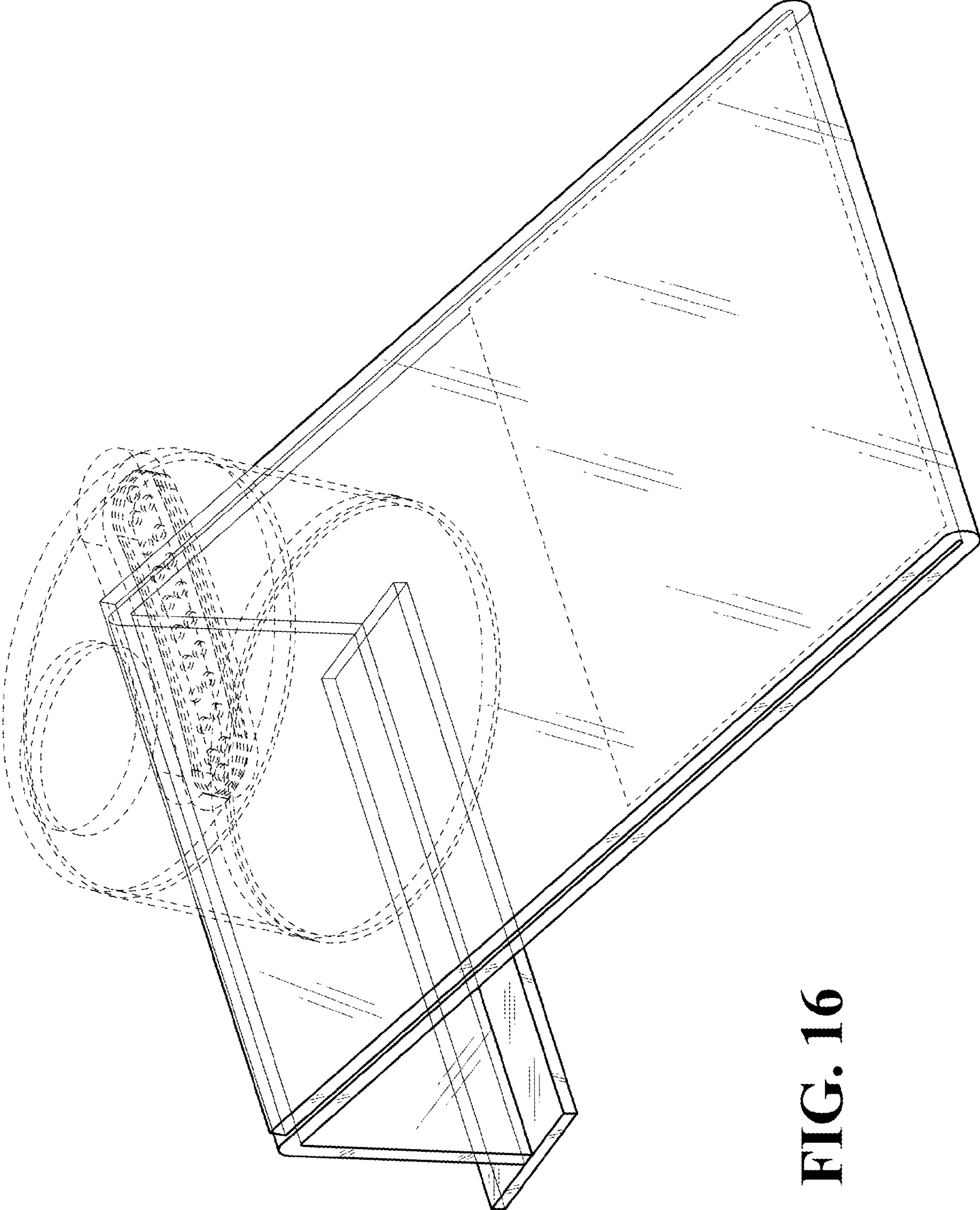


FIG. 16