



US00D900516S

(12) **United States Design Patent**  
**Nardulli et al.**

(10) **Patent No.:** **US D900,516 S**

(45) **Date of Patent:** **\*\* Nov. 3, 2020**

(54) **TOOL RACK**

(71) Applicant: **TESA SARL**, Renens (CH)

(72) Inventors: **Alessandro Nardulli**, Bevaix (CH);  
**Jean-Luc Viret**, Ependes (CH); **Patrick Schneeberger**, Collombey (CH)

(\*\*) Term: **15 Years**

(21) Appl. No.: **35/507,527**

(22) Filed: **Apr. 18, 2019**

(80) **Hague Agreement Data**

Int. Filing Date: **Apr. 18, 2019**

Int. Reg. No.: **DM/203191**

Int. Reg. Date: **Apr. 18, 2019**

Int. Reg. Pub. Date: **Oct. 18, 2019**

(51) **LOC (12) Cl.** ..... **20-02**

(52) **U.S. Cl.**  
USPC ..... **D6/680.2**

(58) **Field of Classification Search**  
USPC ..... D6/552, 567, 680.2; D8/71; D10/103  
CPC ..... B25H 3/04; B25H 3/003; F16M 13/02  
See application file for complete search history.

(56) **References Cited**

**U.S. PATENT DOCUMENTS**

D182,720 S *	5/1958	Harben .....	D6/567
D283,100 S *	3/1986	Porter .....	D8/396
D375,023 S *	10/1996	Cohen .....	D6/680
D377,310 S *	1/1997	Crump, Jr. ....	D8/373
D406,483 S *	3/1999	Bast .....	D6/552
D541,612 S *	5/2007	Lin .....	D3/905
D646,304 S *	10/2011	Pickett .....	D15/28

D662,746 S *	7/2012	Conville .....	D6/552
D721,159 S *	1/2015	Reneau .....	D22/108
D725,406 S *	3/2015	Olszewski .....	D6/567
D782,265 S *	3/2017	Szucs .....	D8/71
D887,241 S *	6/2020	Woller .....	D8/71

**OTHER PUBLICATIONS**

Screenshot: MCR rack for TP20 (rack only). Undated; one page. Found online Jun. 30, 2020 at <https://www.renishaw.com/shop/Product.aspx?Product=A-1371-0163> (Year: 2020).\*

Screenshot: Renishaw MAP stand. Undated; one page. Found online Jun. 30, 2020 at <https://www.renishaw.com/en/map-stand--7410> (Year: 2020).\*

Screenshot: HR-P Module Changer Rack. Undated; one page. Found online Jun. 30, 2020 at <https://metrology.precizika.lt/uploads/Downloads/Changing%20Racks.pdf> (Year: 2020).\*

\* cited by examiner

*Primary Examiner* — Robert M. Spear

(57) **CLAIM**

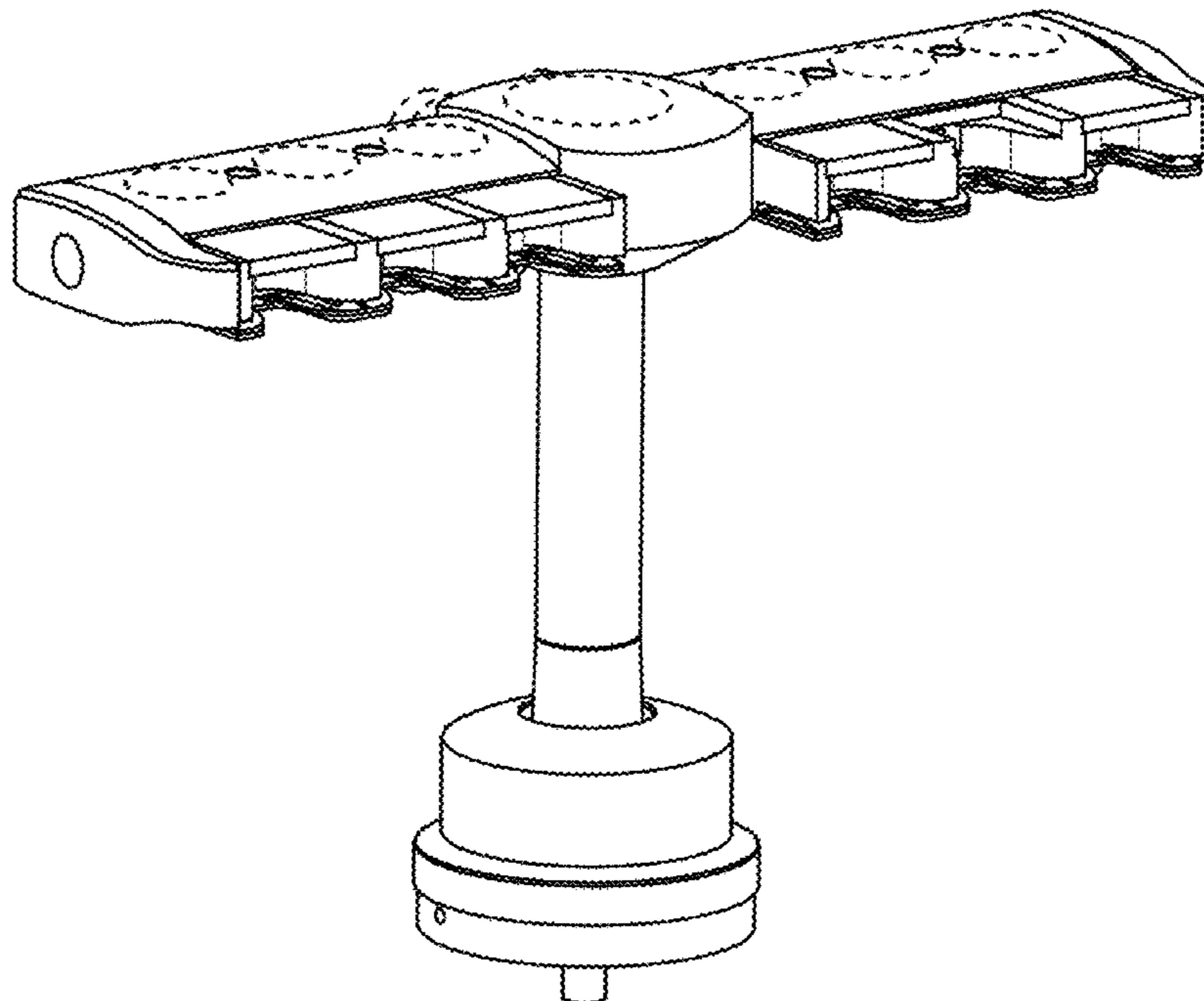
The ornamental design for a tool rack, as shown and described.

**DESCRIPTION**

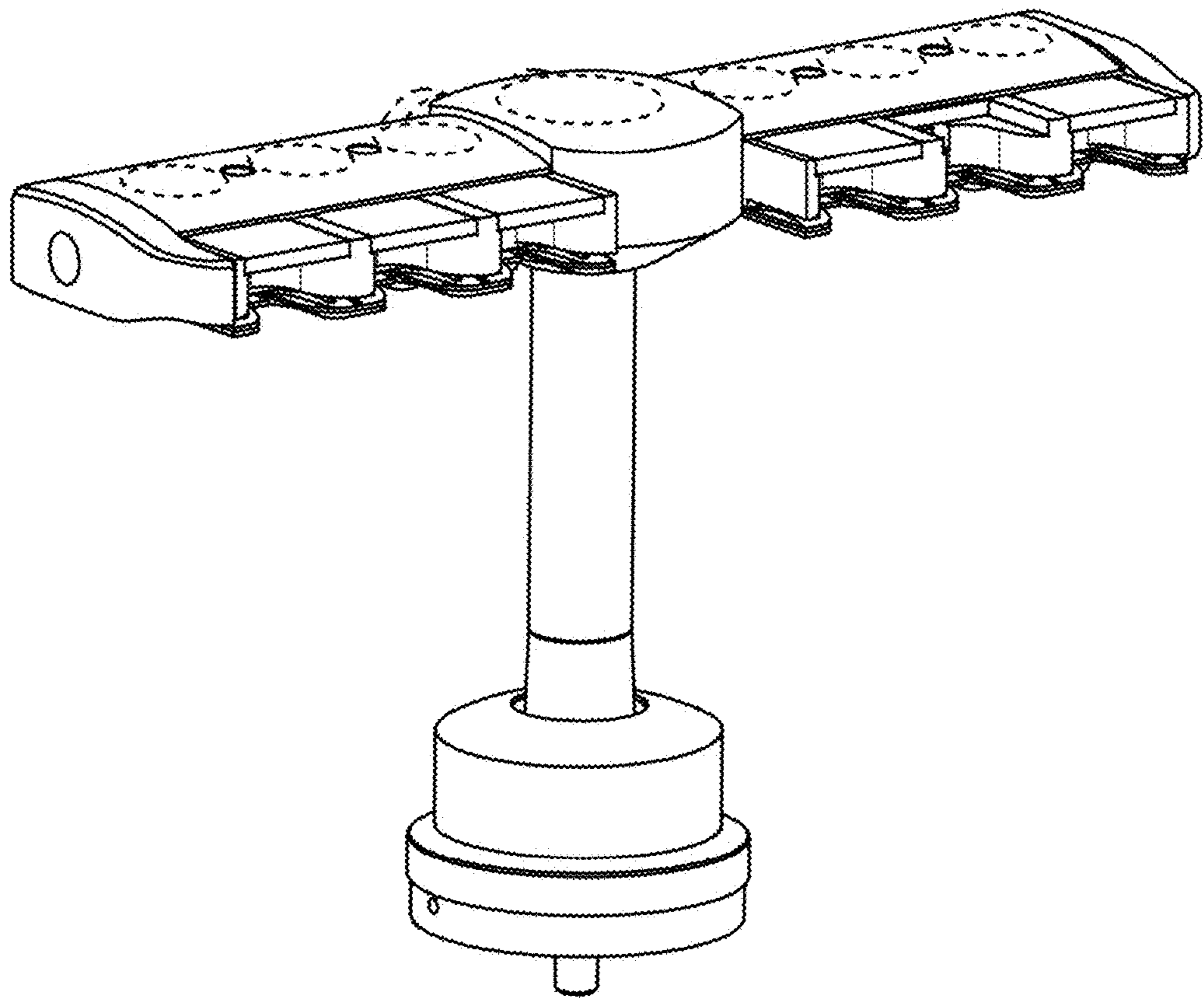
- 1. Tool rack
- 1.1 : Perspective
- 1.2 : Front
- 1.3 : Back
- 1.4 : Top
- 1.5 : Bottom
- 1.6 : Left
- 1.7 : Right

The broken lines depict environment and form no part of the claim.

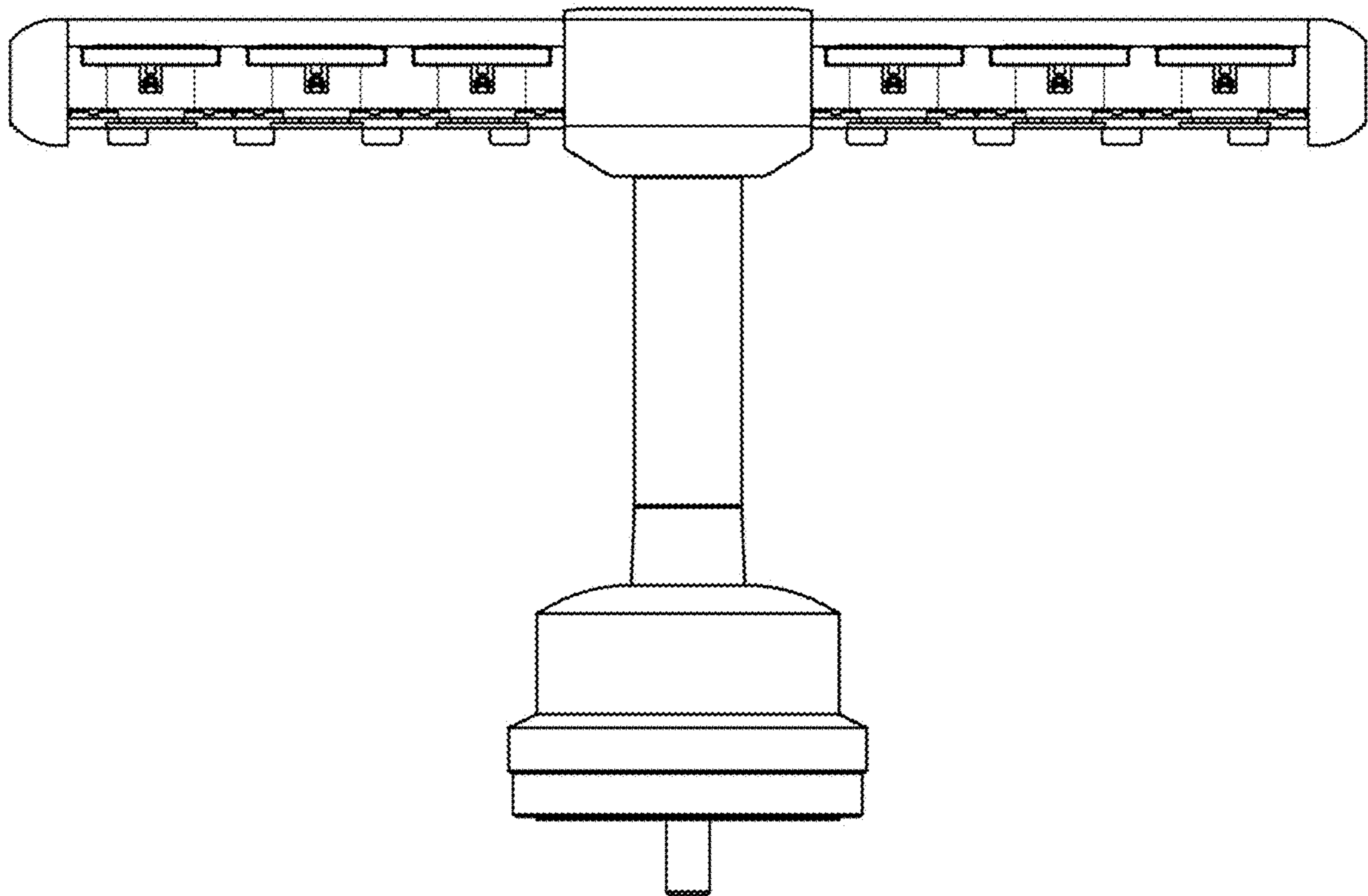
**1 Claim, 7 Drawing Sheets**



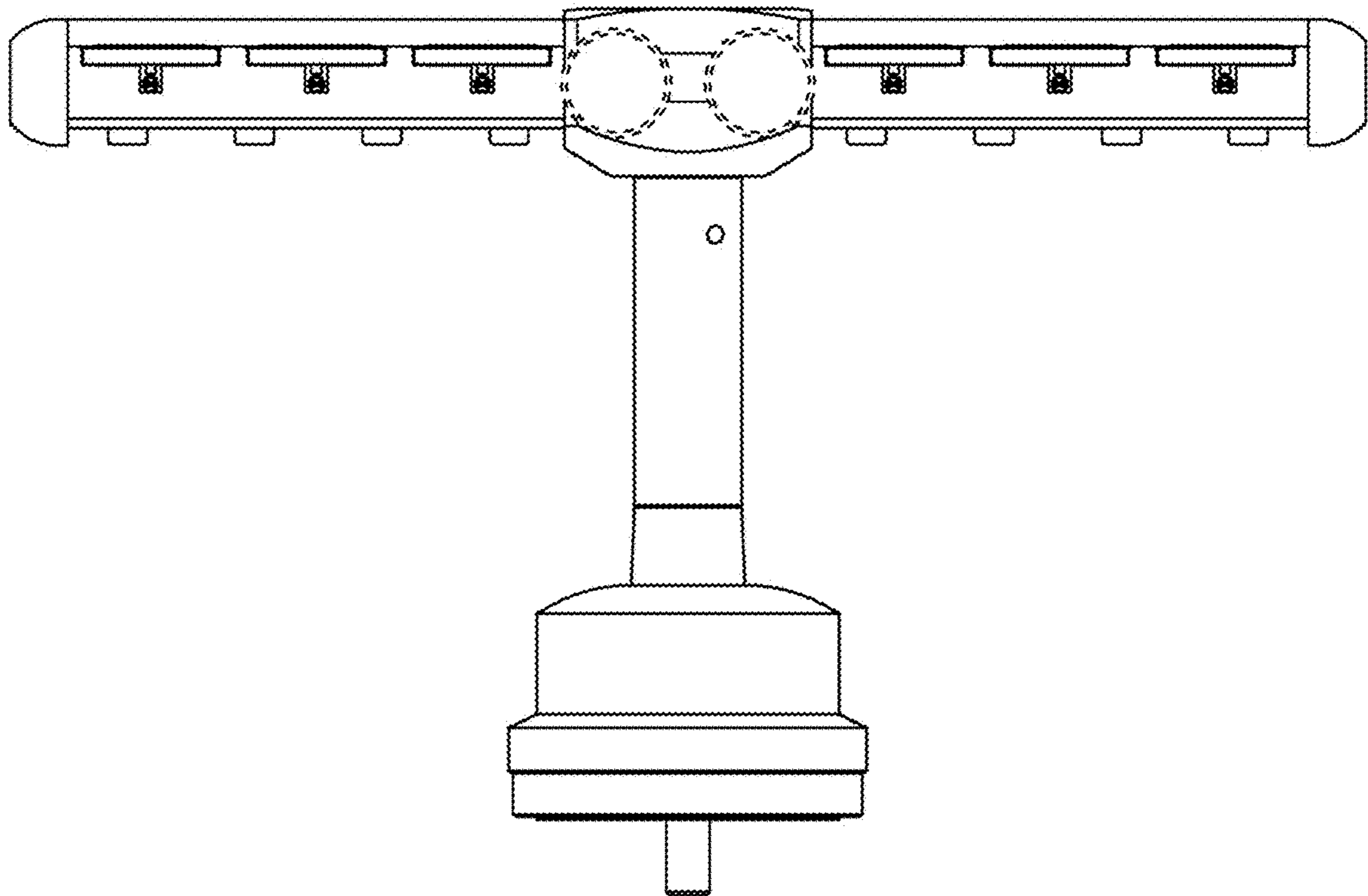
1.1



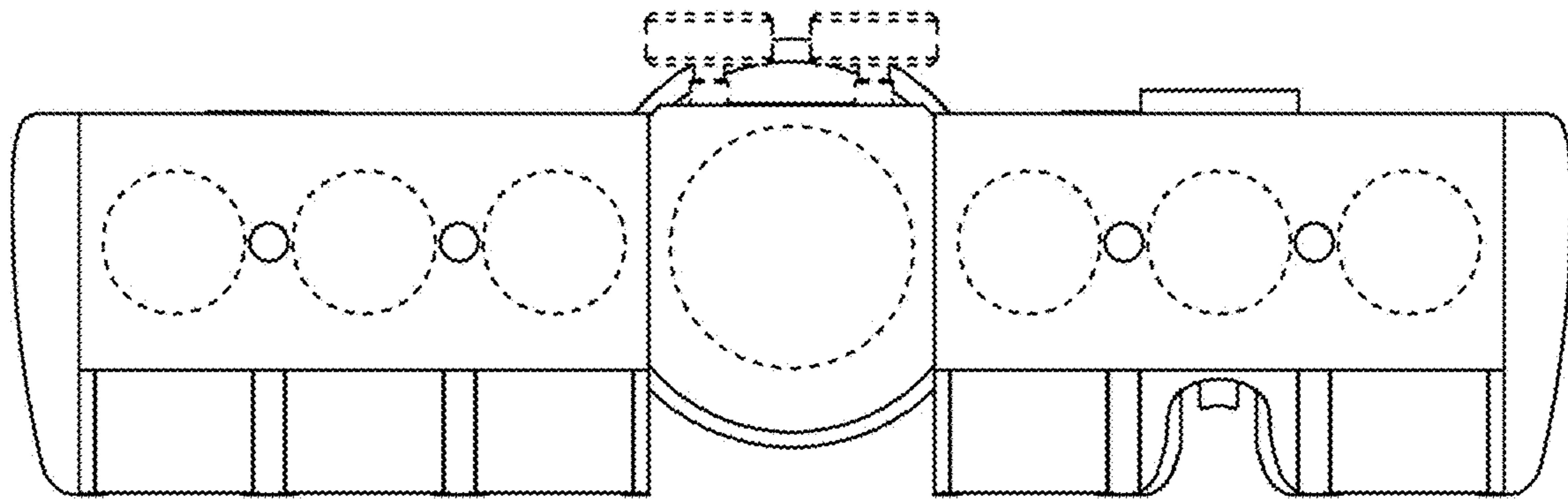
1.2



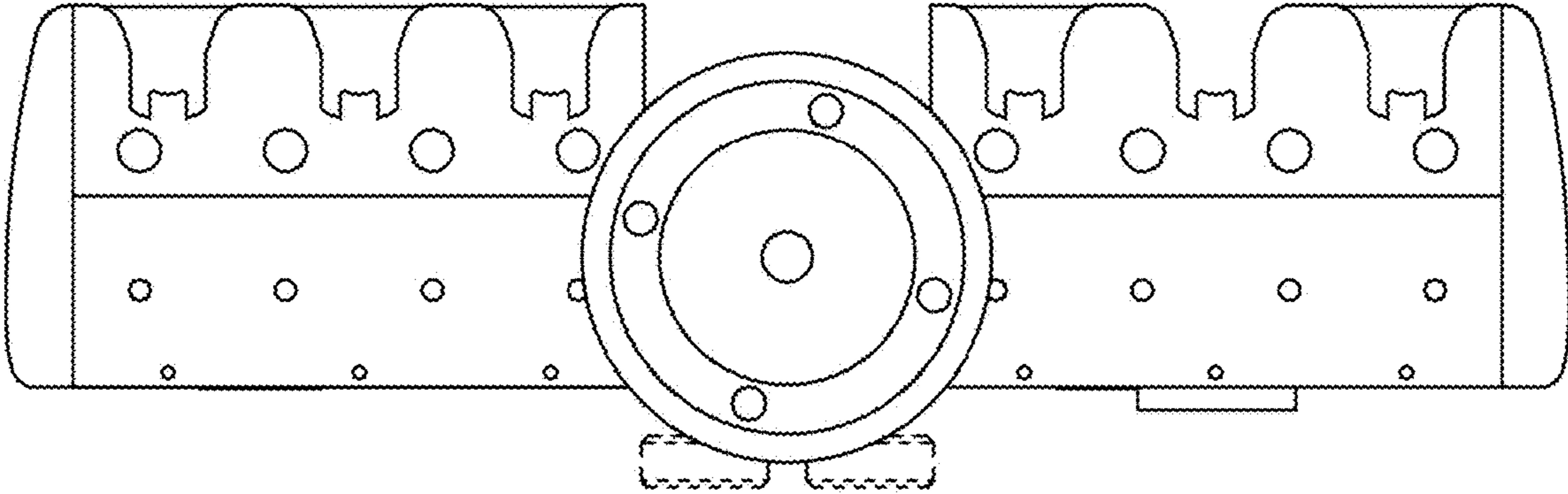
1.3



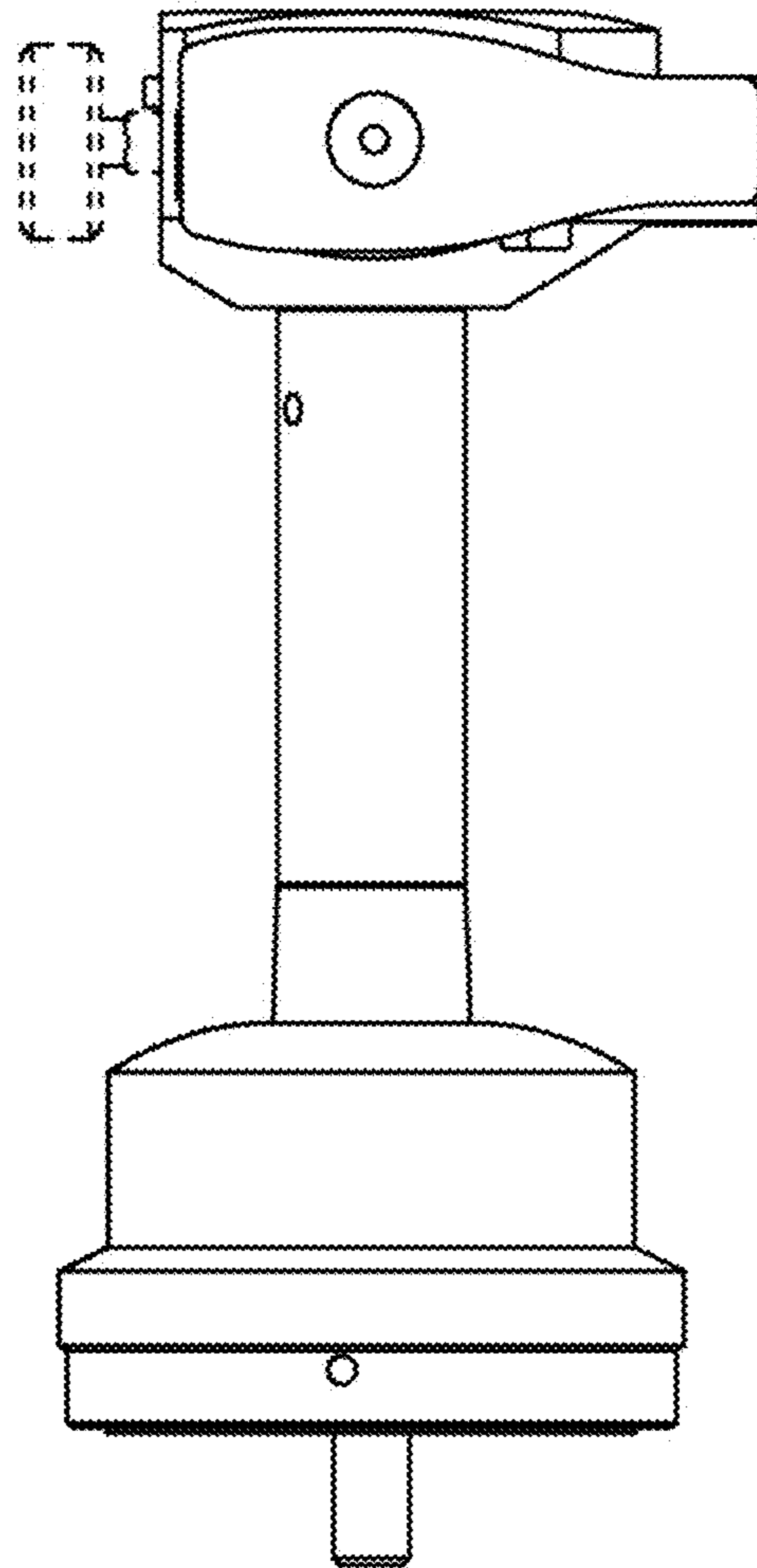
1.4



1.5



1.6



1.7

