



US00D900514S

(12) **United States Design Patent** (10) **Patent No.:** **US D900,514 S**
Li (45) **Date of Patent:** **** Nov. 3, 2020**

- (54) **EXHIBITION TABLE** D247,079 S * 1/1978 Otema D6/661
4,141,610 A * 2/1979 Ando A47F 3/002
292/144
- (71) Applicant: **Guangdong Oppo Mobile Telecommunications Corp., Ltd., Dongguan, Guangdong (CN)** D301,290 S * 5/1989 Otema D6/661
4,886,327 A * 12/1989 Amstutz A47F 3/005
312/257.1
- (72) Inventor: **Lyu Li, Guangdong (CN)** D305,286 S * 1/1990 Otema D6/661
D306,669 S * 3/1990 Otema D6/661
5,853,235 A * 12/1998 Barnes A47F 3/002
312/117
- (73) Assignee: **GUANGDONG OPPO MOBILE TELECOMMUNICATIONS CORP., LTD., Dongguan (CN)** 5,909,932 A * 6/1999 Shih A47F 3/00
211/4

(Continued)

(**) Term: **15 Years**

(21) Appl. No.: **29/678,944**

(22) Filed: **Jan. 31, 2019**

(30) **Foreign Application Priority Data**

Oct. 9, 2018 (CN) 2018 3 0562859

(51) **LOC (12) Cl.** **20-02**

(52) **U.S. Cl.**
USPC **D6/675**

(58) **Field of Classification Search**

USPC D6/335, 552, 657, 661, 672, 673, 675,
D6/675.1, 675.2, 675.3, 675.4, 675.5,
D6/678.4, 683.1, 686, 699.1, 702;
D20/10; D25/1, 16, 32, 33, 62, 63, 64,
D25/65, 68, 69; D9/414

CPC A47B 47/00; A47B 47/02; A47B 47/04;
A47B 47/021; A47B 57/00; A47B
57/406; A47B 96/00; A47B 96/02; A47B
61/04; A47B 83/001; A47F 1/00; A47F
7/00; A47F 7/03; A47F 7/24

See application file for complete search history.

(56) **References Cited**

U.S. PATENT DOCUMENTS

- 2,271,121 A * 1/1942 Gross A47F 3/004
312/117
- D187,769 S * 4/1960 Parker D6/661

FOREIGN PATENT DOCUMENTS

- CN 301175062 S 4/2010
- CN 301704833 S 10/2011

Primary Examiner — Michael A. Pratt
Assistant Examiner — Adam C Mager

(57) **CLAIM**

The ornamental design for an exhibition table, as shown and described.

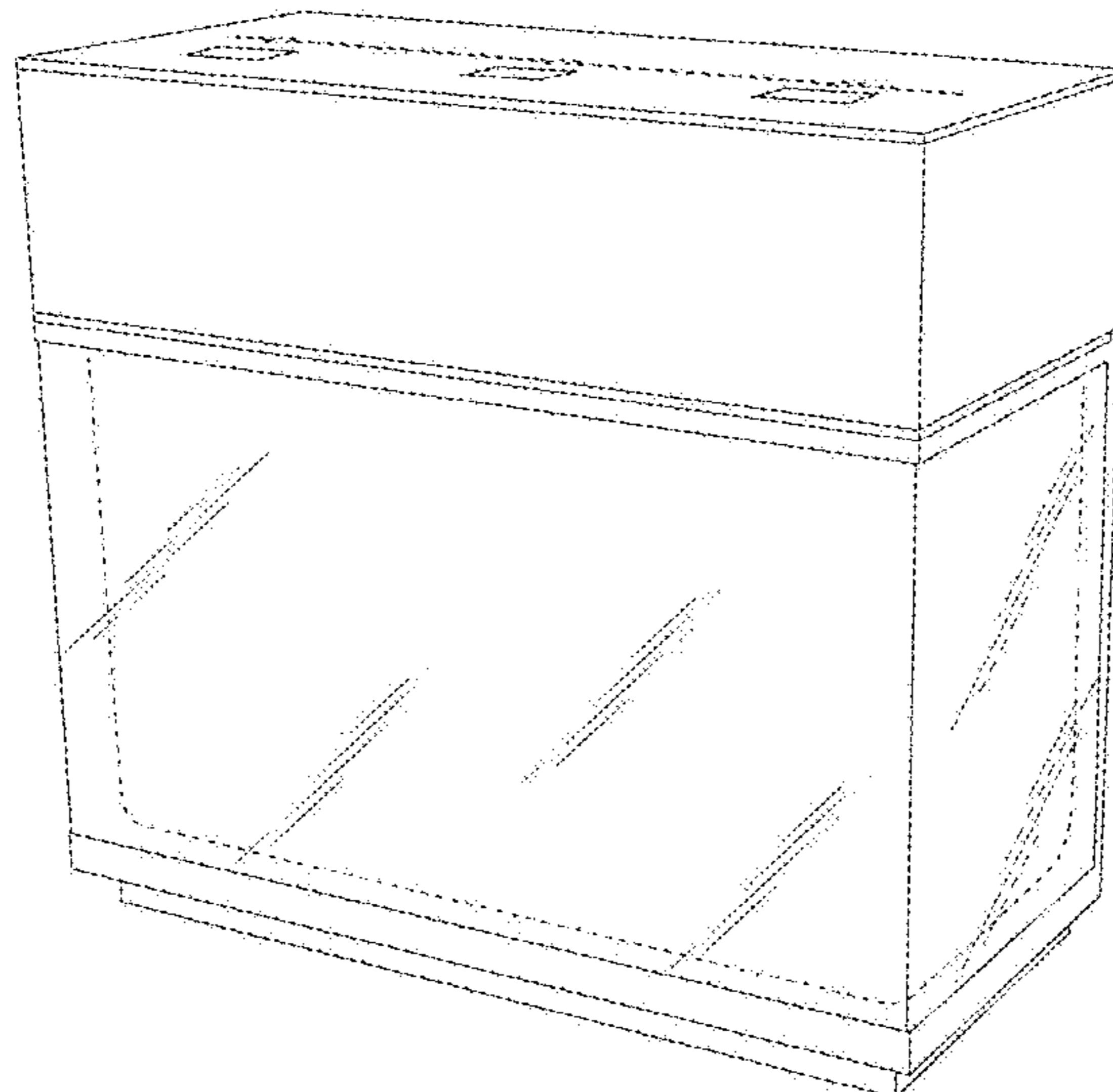
DESCRIPTION

FIG. 1 is a perspective view of an exhibition table showing my new design;
FIG. 2 is a front view thereof;
FIG. 3 is a rear view thereof;
FIG. 4 is a left side view thereof;
FIG. 5 is a right side view thereof;
FIG. 6 is a top view thereof; and,
FIG. 7 is a bottom view thereof.

The broken lines in the figures show portions of the exhibition table and environment that form no part of the claimed design.

The oblique shade lines in the figures show transparency or translucency.

1 Claim, 6 Drawing Sheets



(56)

References Cited

U.S. PATENT DOCUMENTS

6,851,770 B2 *	2/2005	Canedy	A47F 3/002 312/114
7,905,560 B2 *	3/2011	Vardaro	A47F 3/002 312/310
8,047,619 B2 *	11/2011	Amstutz	A47F 3/06 312/117

* cited by examiner

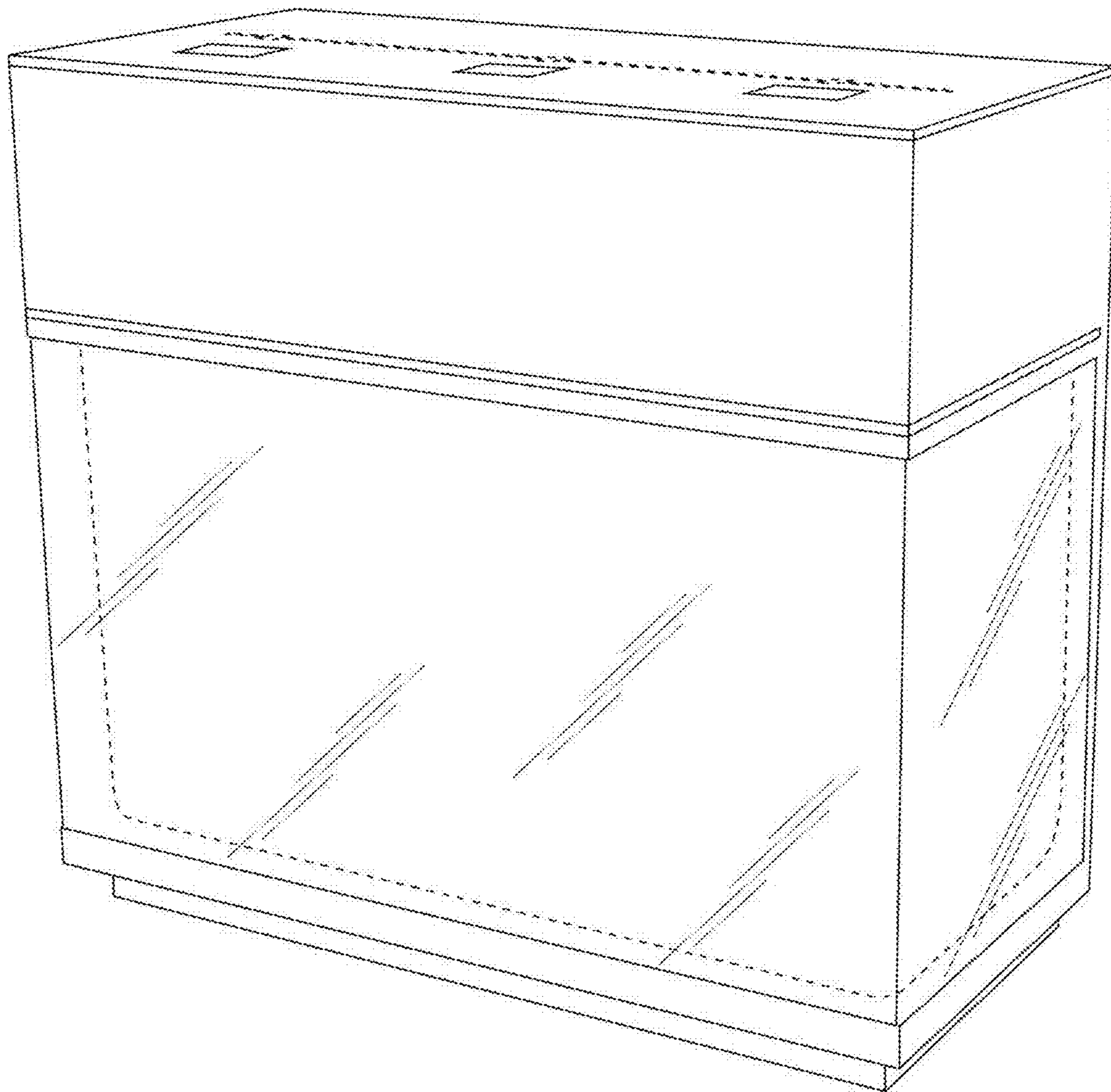


FIG.1

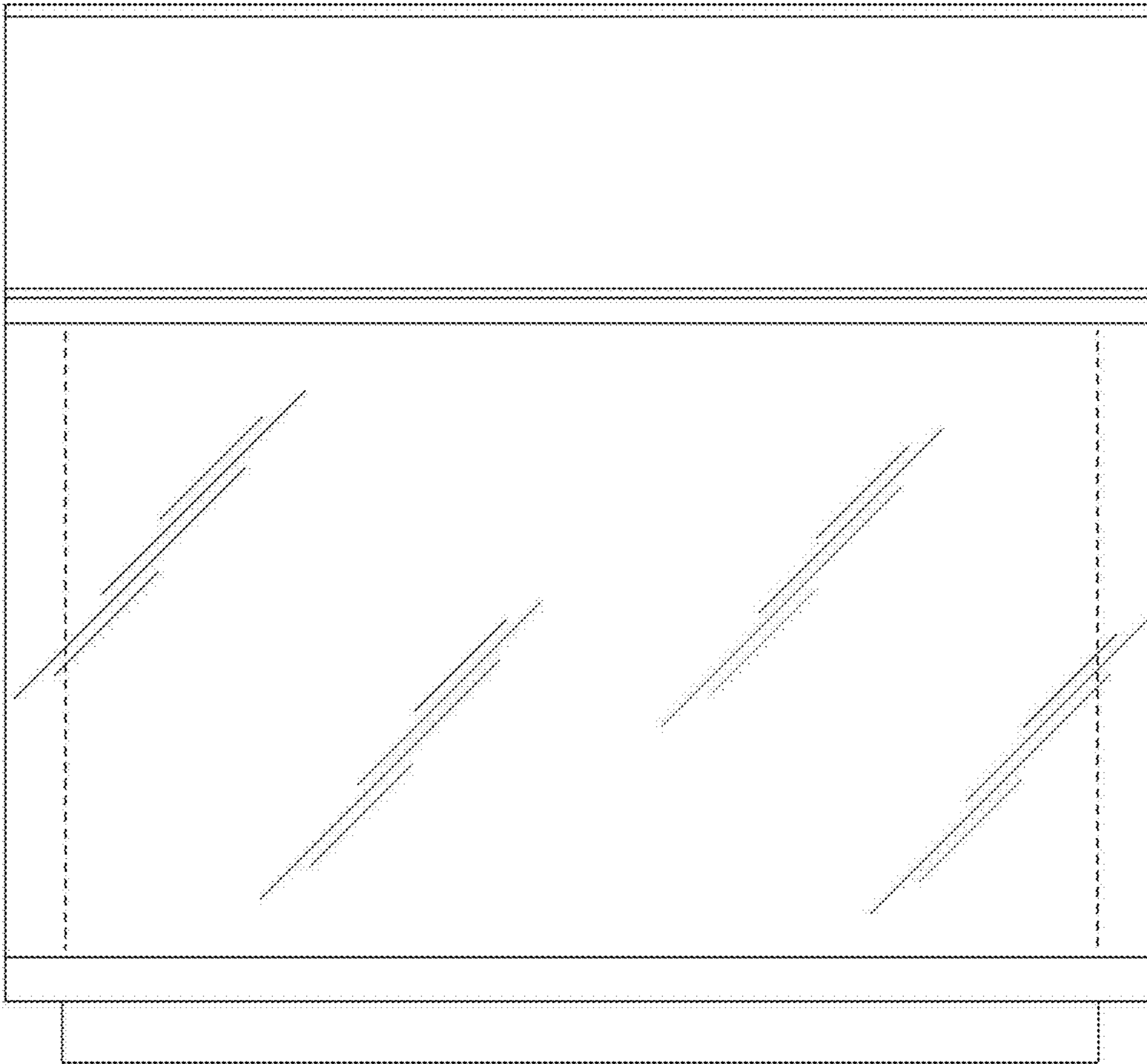


FIG.2

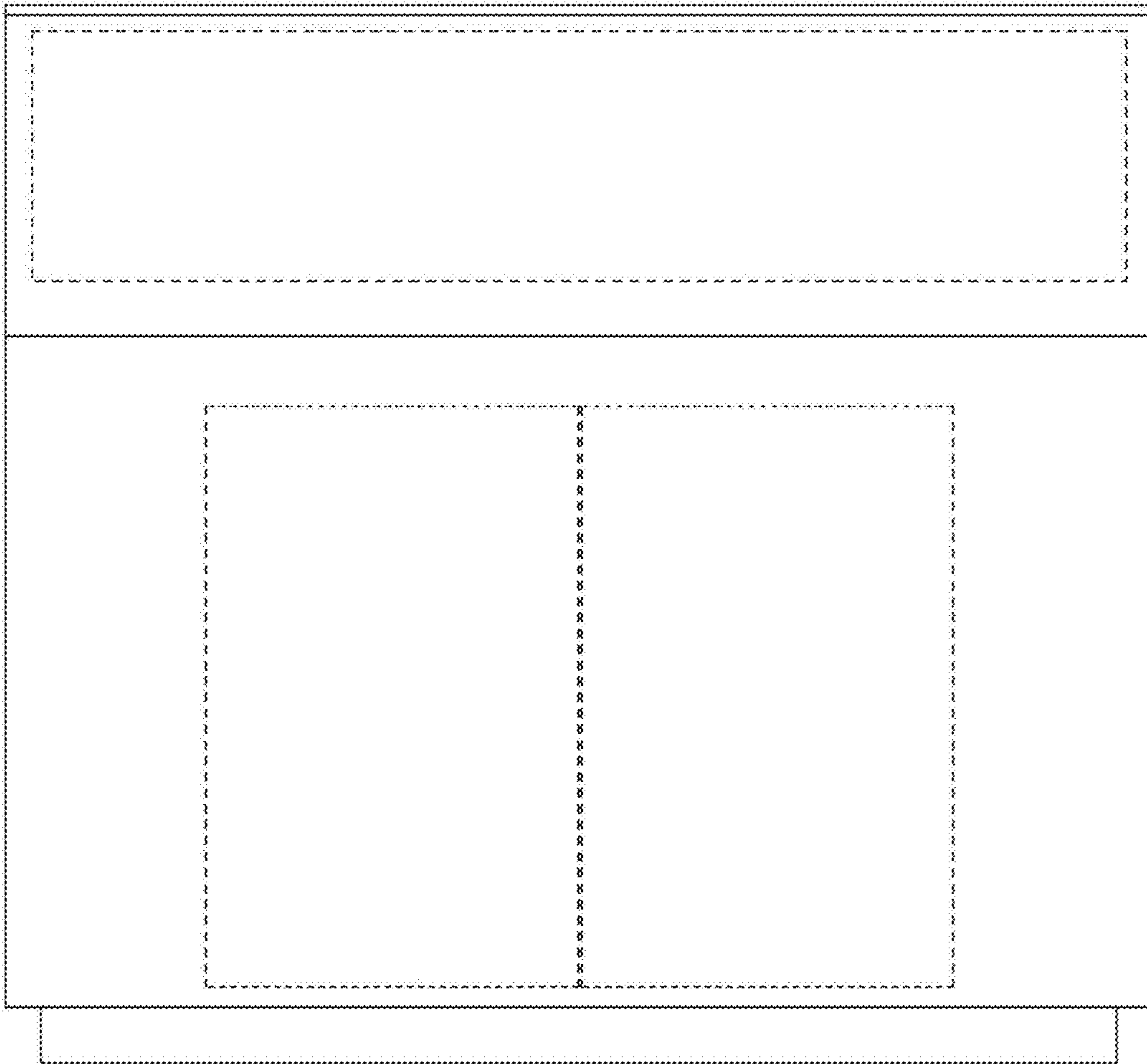


FIG.3

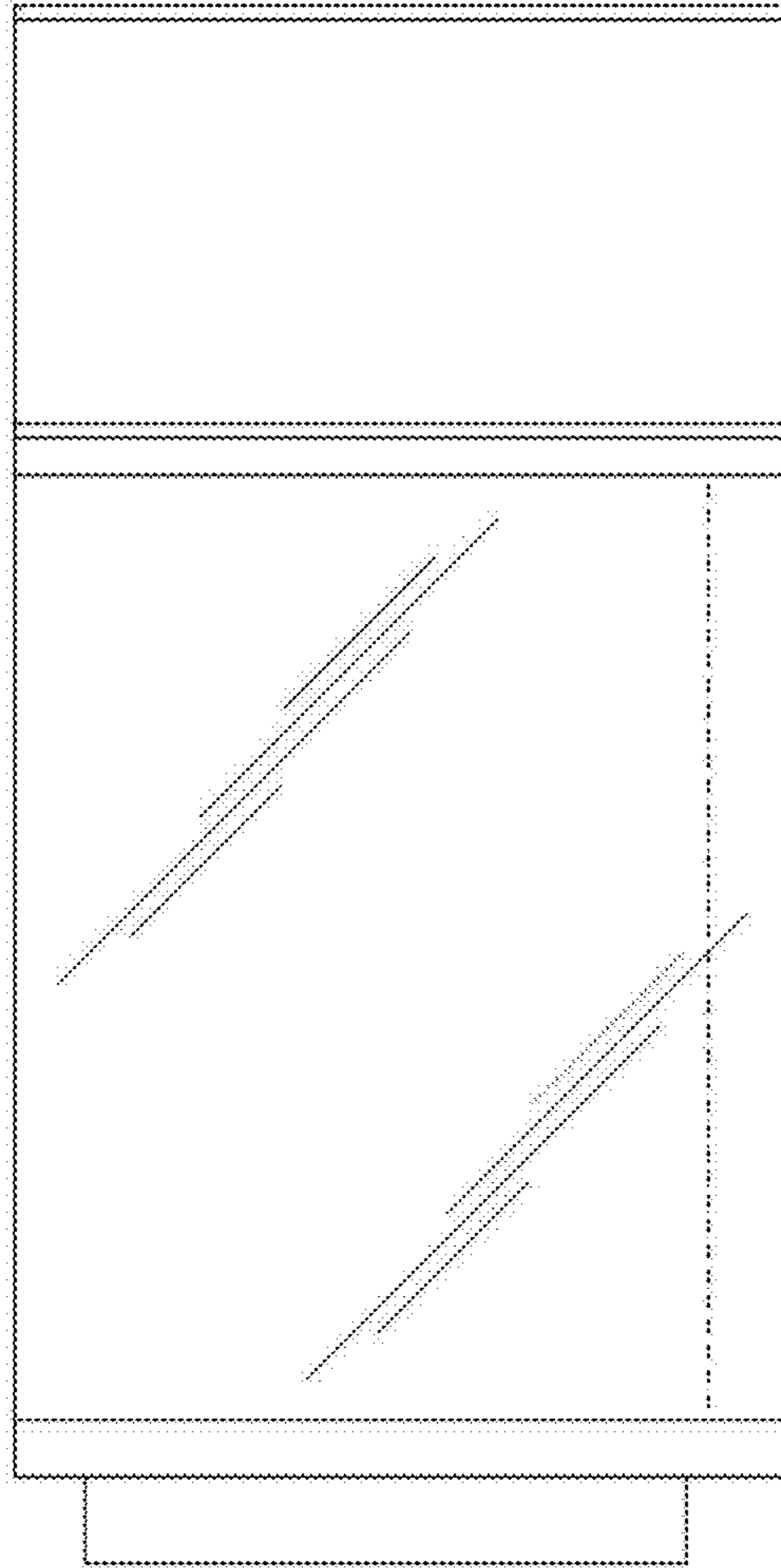


FIG.4

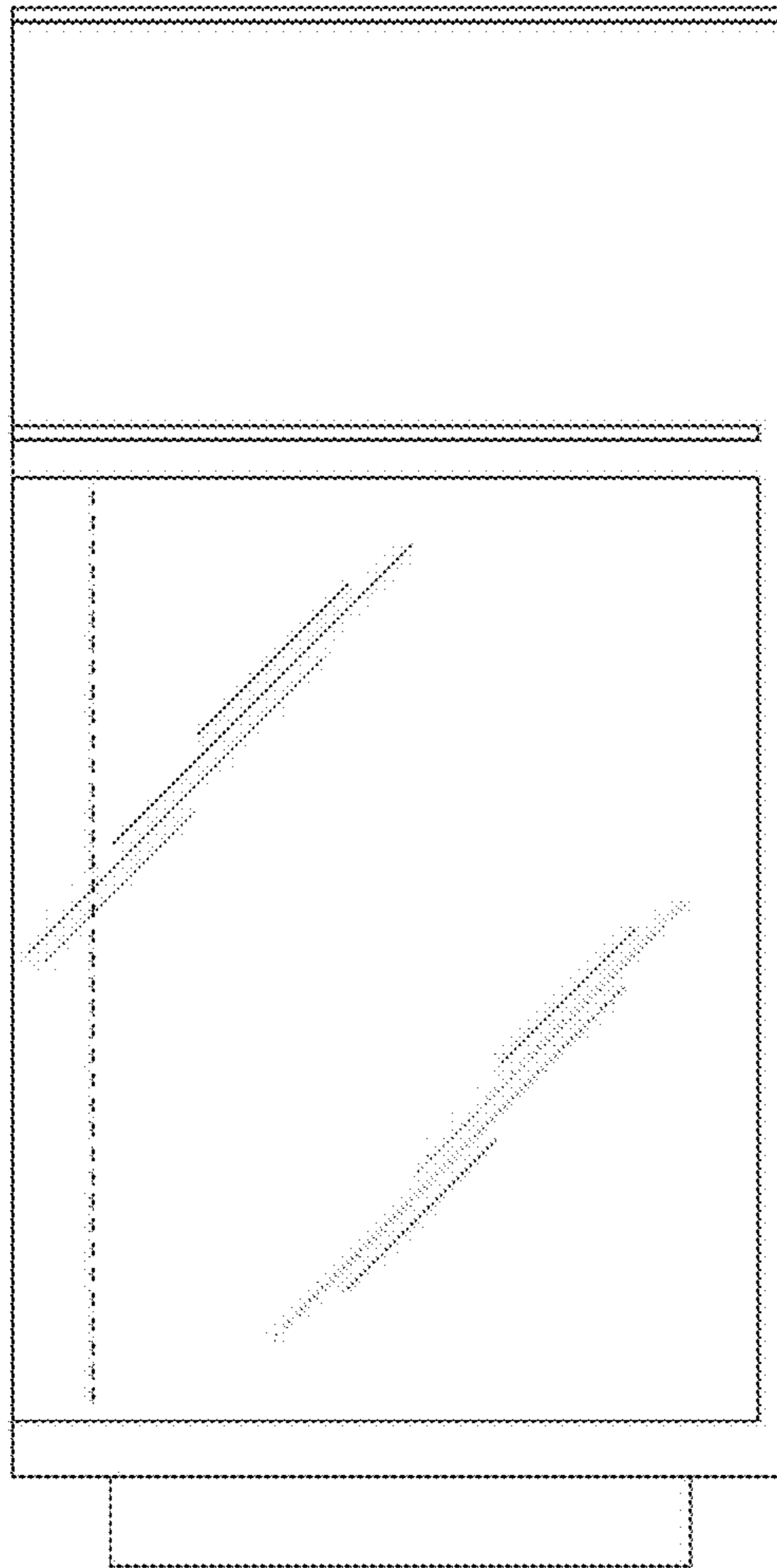


FIG.5

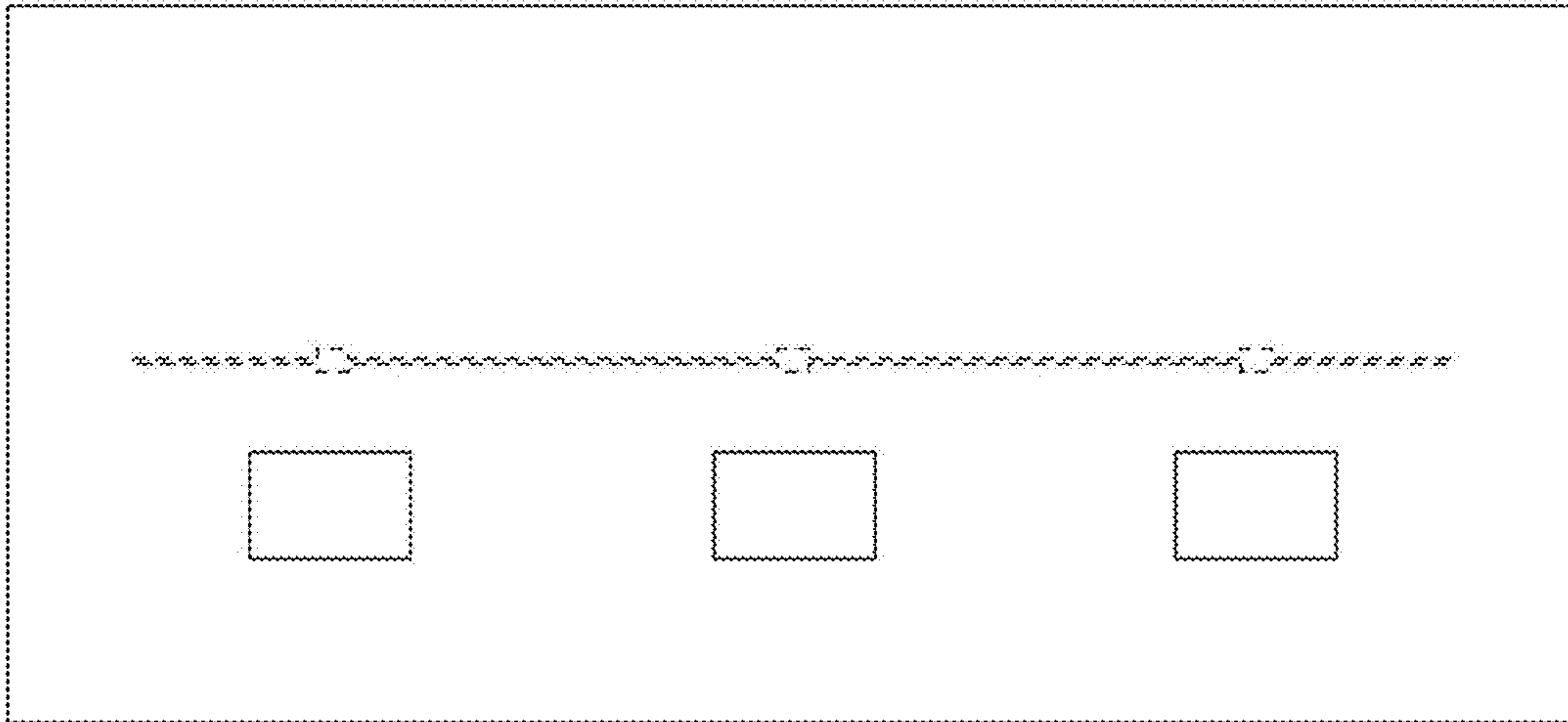


FIG. 6

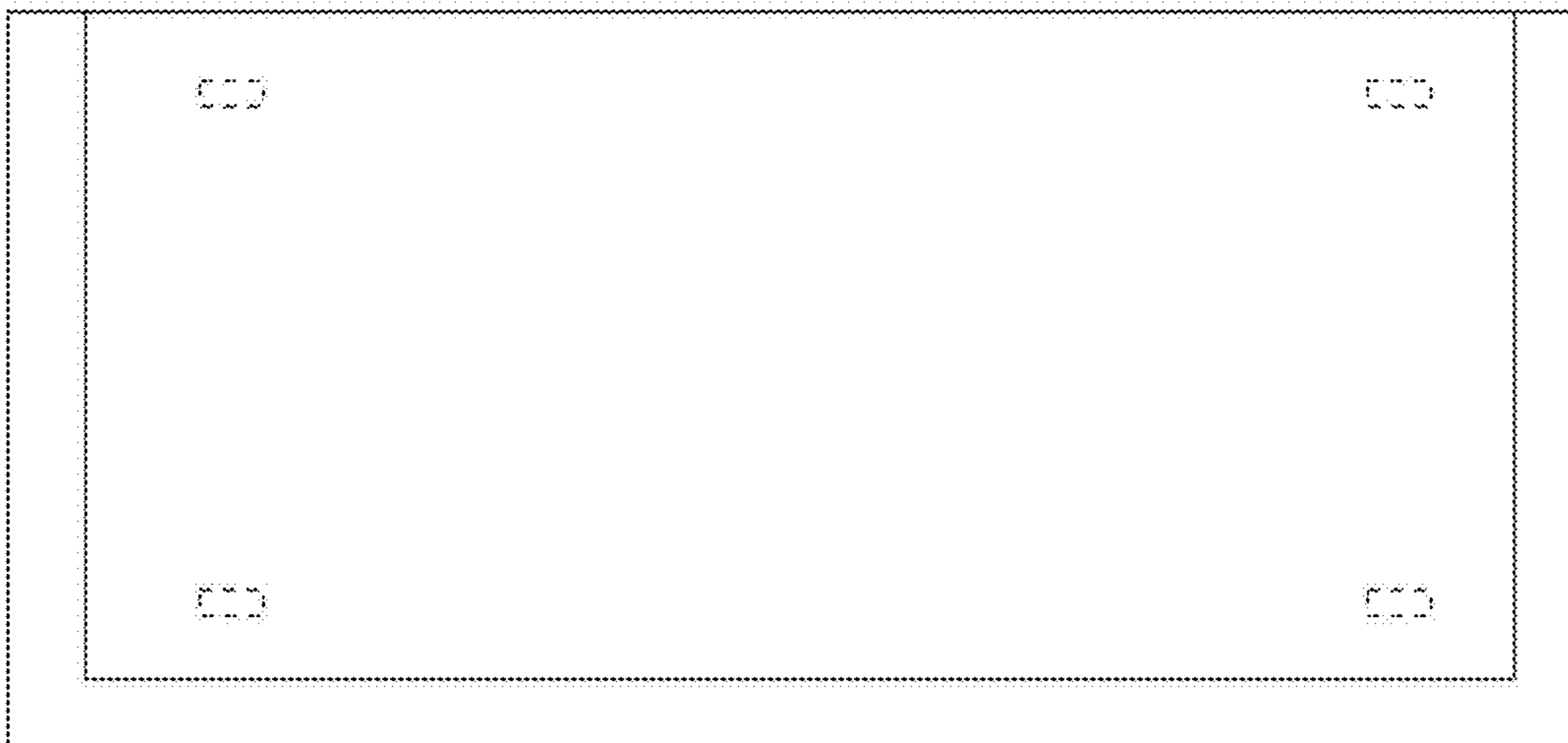


FIG. 7