



US00D900513S

(12) **United States Design Patent** (10) **Patent No.:** **US D900,513 S**  
**Li** (45) **Date of Patent:** **\*\* Nov. 3, 2020**

(54) **EXHIBITION TABLE**  
(71) Applicant: **Guangdong Oppo Mobile Telecommunications Corp., Ltd.**, Dongguan, Guangdong (CN)  
(72) Inventor: **Lyu Li**, Guangdong (CN)  
(73) Assignee: **GUANGDONG OPPO MOBILE TELECOMMUNICATIONS CORP., LTD.**, Dongguan (CN)  
(\*\*) Term: **15 Years**

D247,079 S \* 1/1978 Otema ..... D6/661  
4,141,610 A \* 2/1979 Ando ..... A47F 3/002  
292/144  
D301,290 S \* 5/1989 Otema ..... D6/661  
4,886,327 A \* 12/1989 Amstutz ..... A47F 3/005  
312/257.1  
D305,286 S \* 1/1990 Otema ..... D6/661  
D306,669 S \* 3/1990 Otema ..... D6/661  
5,853,235 A \* 12/1998 Barnes ..... A47F 3/002  
312/117  
5,909,932 A \* 6/1999 Shih ..... A47F 3/00  
211/4  
6,851,770 B2 \* 2/2005 Canedy ..... A47F 3/002  
312/114

(21) Appl. No.: **29/678,943**  
(22) Filed: **Jan. 31, 2019**  
(30) **Foreign Application Priority Data**  
Oct. 9, 2018 (CN) ..... 2018 3 0562855  
(51) **LOC (12) Cl.** ..... **20-02**  
(52) **U.S. Cl.**  
USPC ..... **D6/675**  
(58) **Field of Classification Search**  
USPC ..... D6/335, 552, 657, 661, 672, 673, 675,  
D6/675.1, 675.2, 675.3, 675.4, 675.5,  
D6/678.4, 683.1, 686, 699.1, 702;  
D20/10; D25/1, 16, 32, 33, 62, 63, 64,  
D25/65, 68, 69; D9/414  
CPC ..... A47B 47/00; A47B 47/02; A47B 47/04;  
A47B 47/021; A47B 57/00; A47B  
57/406; A47B 96/00; A47B 96/02; A47B  
61/04; A47B 83/001; A47F 1/00; A47F  
7/00; A47F 7/03; A47F 7/24  
See application file for complete search history.

(Continued)

**FOREIGN PATENT DOCUMENTS**

CN 301175062 S 4/2010  
CN 301704833 S 10/2011

*Primary Examiner* — Michael A. Pratt  
*Assistant Examiner* — Adam C Mager

(57) **CLAIM**

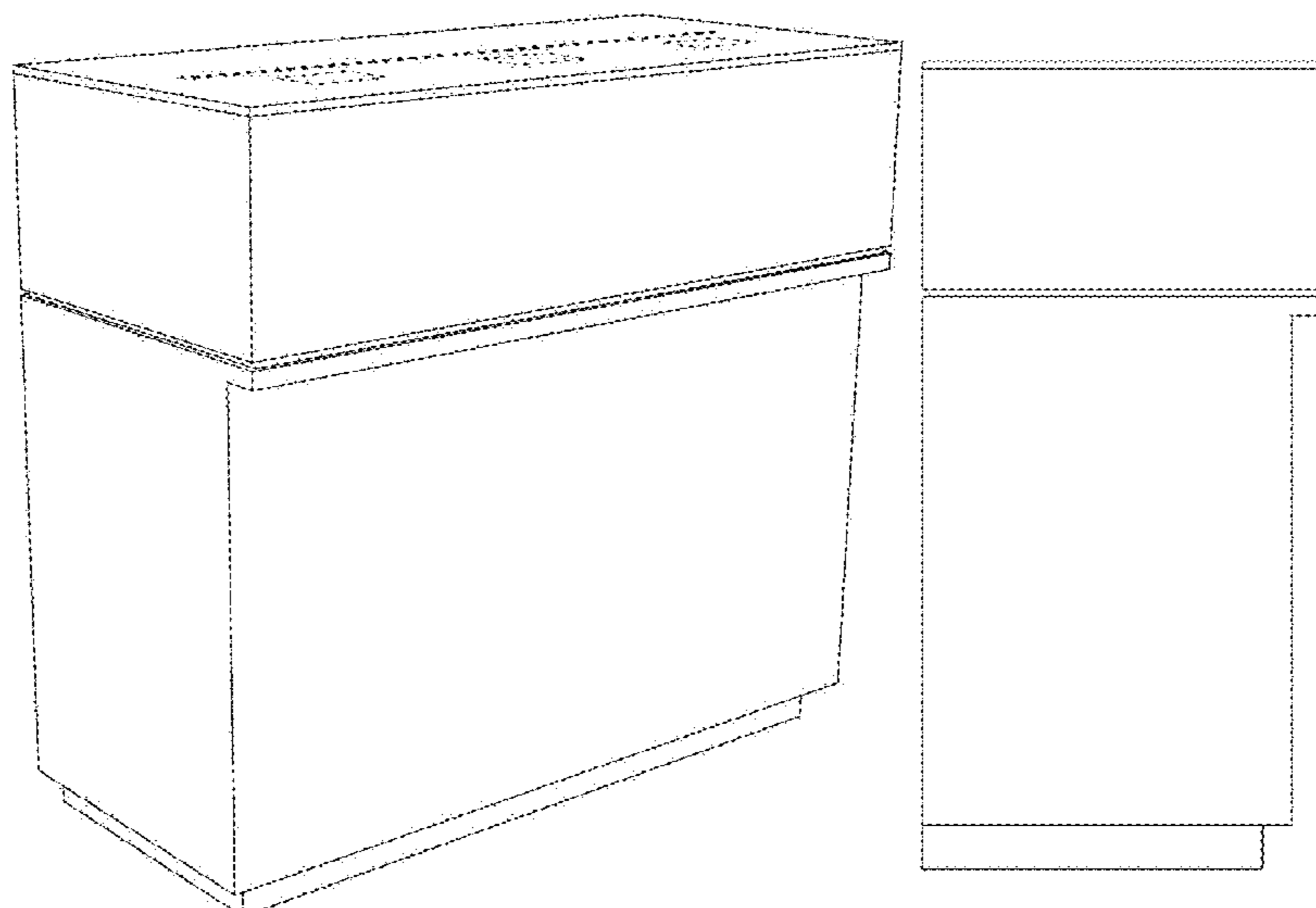
The ornamental design for an exhibition table, as shown and described.

**DESCRIPTION**

FIG. 1 is a perspective view of an exhibition table showing my new design;  
FIG. 2 is a front view thereof;  
FIG. 3 is a rear view thereof;  
FIG. 4 is a left side view thereof;  
FIG. 5 is a right side view thereof; and,  
FIG. 6 is a top view thereof.  
The bottom view is flat and includes no surface ornamentation.  
The broken lines in the figures show portions of the exhibition table and environment that form no part of the claimed design.

**1 Claim, 5 Drawing Sheets**

(56) **References Cited**  
**U.S. PATENT DOCUMENTS**  
2,271,121 A \* 1/1942 Gross ..... A47F 3/004  
312/117  
D187,769 S \* 4/1960 Parker ..... D6/661



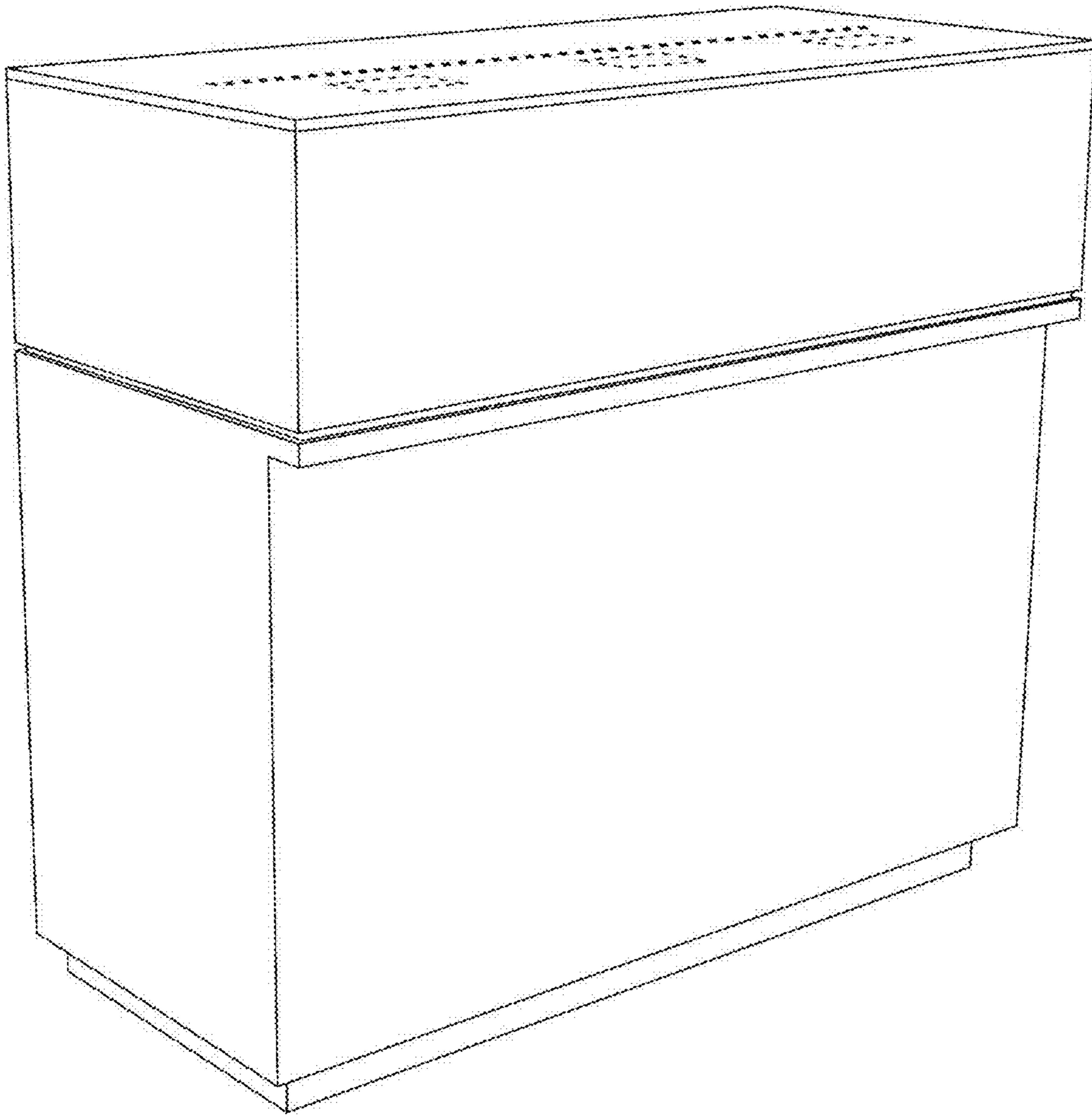
(56)

**References Cited**

U.S. PATENT DOCUMENTS

|                |         |         |       |            |
|----------------|---------|---------|-------|------------|
| 7,905,560 B2 * | 3/2011  | Vardaro | ..... | A47F 3/002 |
|                |         |         |       | 312/310    |
| 8,047,619 B2 * | 11/2011 | Amstutz | ..... | A47F 3/06  |
|                |         |         |       | 312/117    |

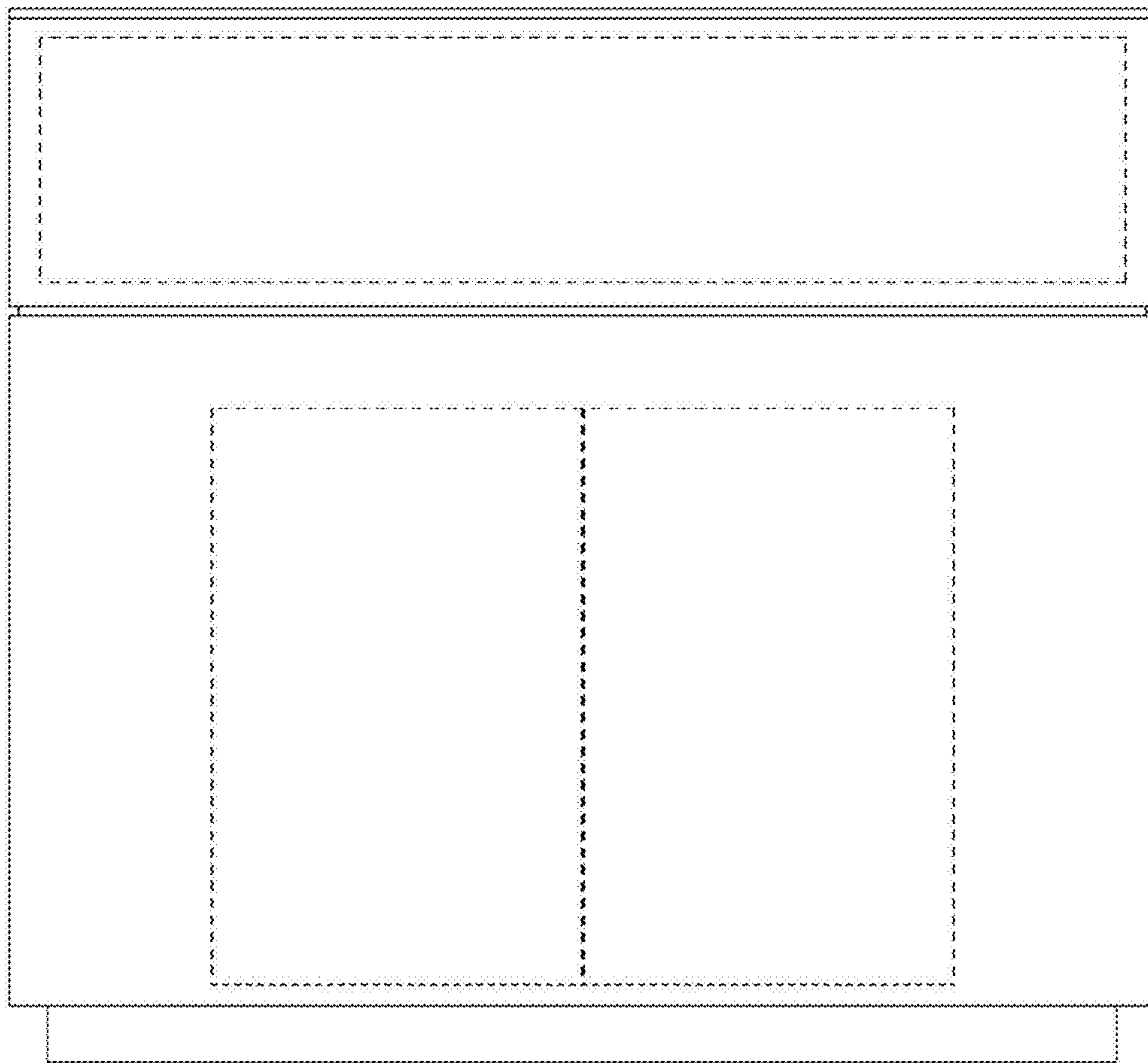
\* cited by examiner



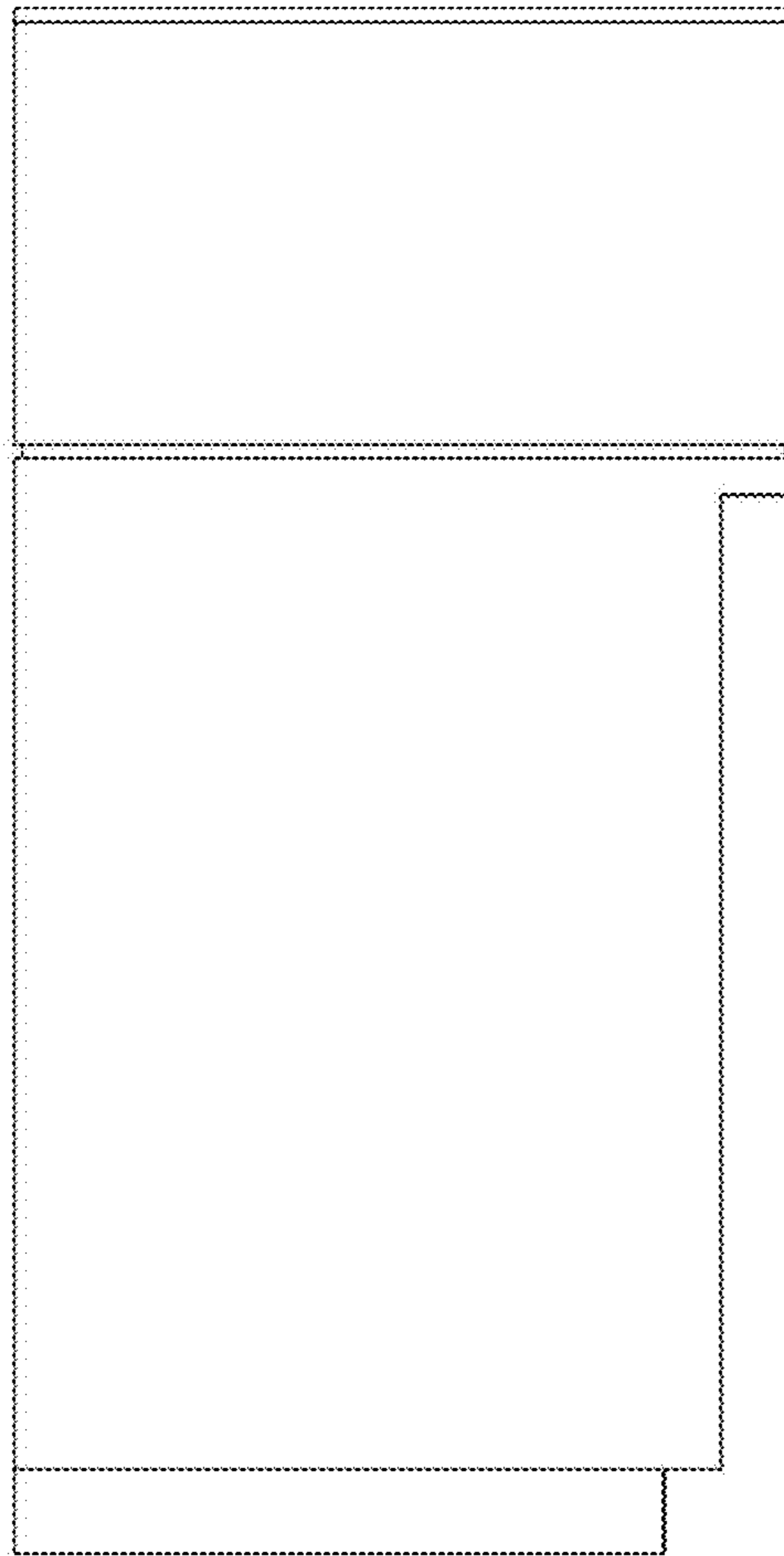
**FIG. 1**



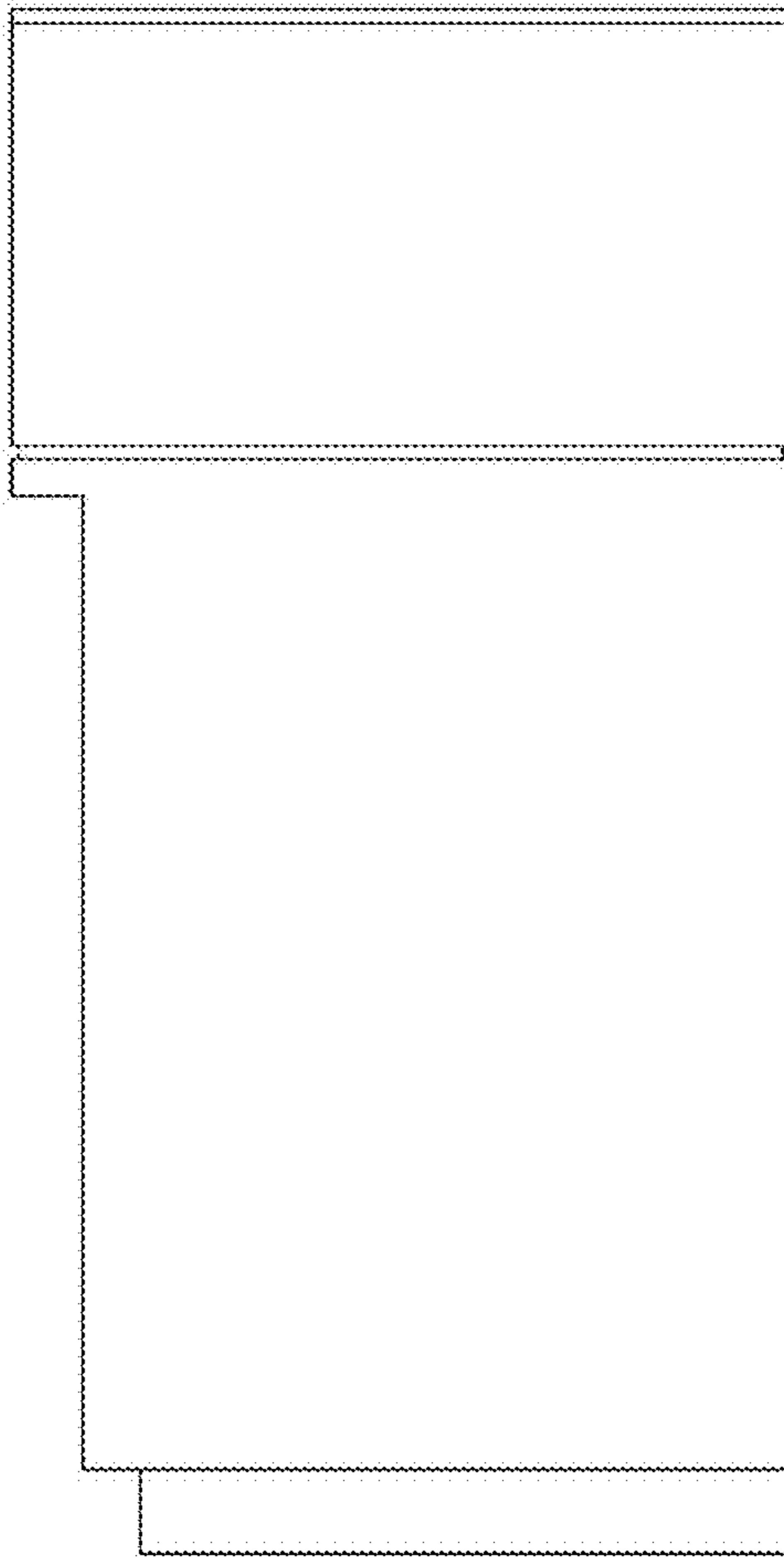
**FIG. 2**



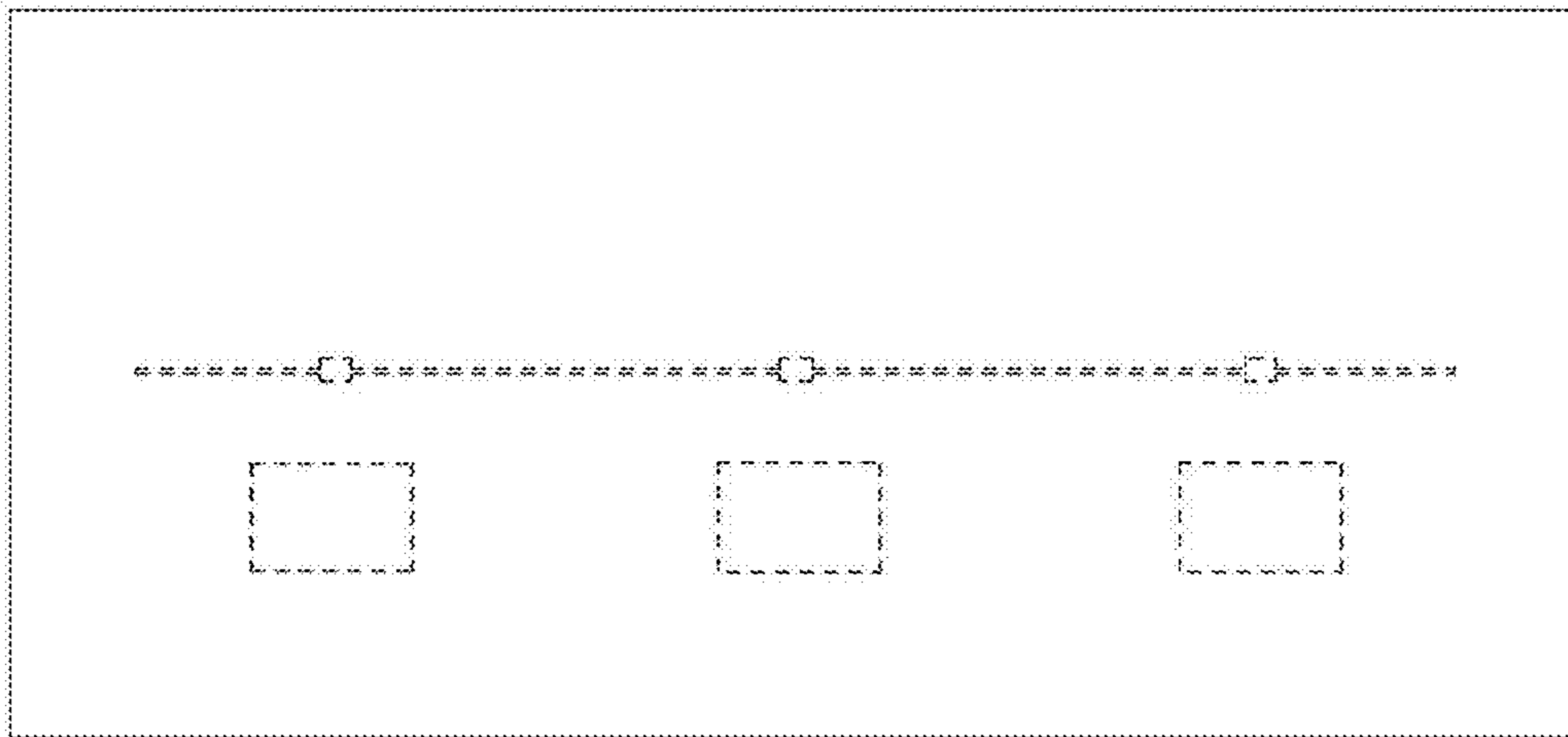
**FIG. 3**



**FIG. 4**



**FIG. 5**



**FIG. 6**