



US00D900512S

(12) **United States Design Patent**  
**Ouyang**

(10) **Patent No.:** **US D900,512 S**

(45) **Date of Patent:** **\*\* Nov. 3, 2020**

(54) **EXHIBITION TABLE**

(71) Applicant: **Guangdong Oppo Mobile Telecommunications Corp., Ltd.**, Dongguan, Guangdong (CN)

(72) Inventor: **Zilun Ouyang**, Guangdong (CN)

(73) Assignee: **GUANGDONG OPPO MOBILE TELECOMMUNICATIONS CORP., LTD.**, Dongguan (CN)

(\*\*) Term: **15 Years**

(21) Appl. No.: **29/678,511**

(22) Filed: **Jan. 29, 2019**

(30) **Foreign Application Priority Data**

Aug. 2, 2018 (CN) ..... 2018 3 0423972

(51) **LOC (12) Cl.** ..... **20-02**

(52) **U.S. Cl.**  
USPC ..... **D6/675**

(58) **Field of Classification Search**  
USPC ..... D6/300, 310, 320, 329, 512, 513, 514, D6/515, 545, 567, 574, 641, 642, 661, D6/662.1, 663-691, 694, 702, 705, 705.2, D6/705.4, 705.5, 705.6, 705.7, 706, D6/708.16, 712, 719; D7/300, 301, 302, D7/303, 304, 305, 306, 307, 308, 309, D7/310, 311, 312, 313, 314, 315, 316, D7/317, 318, 319, 320, 321, 322, 396.1, D7/552.2, 600, 600.1, 600.4, 701; D8/71, D8/354, 363, 373, 374, 377, 381, 394; D3/201, 297, 304, 306

CPC ..... A47B 11/00; A47B 9/00; A47B 51/00; A47B 57/00; A47B 57/08; A47B 57/10; A47B 57/16; A47B 57/30; A47B 45/00; A47B 47/00; A47B 47/021; A47B 47/025; A47B 47/027; A47B 87/00; A47B 87/008; A47B 87/02; A47B 87/0207; A47B 43/00; A47B 33/03; A47B 43/04; A47B 88/00; A47B 88/40; A47B 88/423;

A47B 88/427; A47B 19/00; A47B 31/00; A47B 2031/002; A47B 2031/003; A47B 2031/008; A47B 63/00; A47B 61/02; A47F 1/00; A47F 1/04; A47F 1/12; A47F 3/00; A47F 3/02; A47F 3/0439; A47F 5/00; A47F 5/0018; A47F 5/0043; A47F 10/02

See application file for complete search history.

(56) **References Cited**

U.S. PATENT DOCUMENTS

D408,657 S \* 4/1999 Koch ..... D6/661  
D457,027 S \* 5/2002 Muller ..... D6/569  
D741,091 S \* 10/2015 Tio ..... D6/675  
D807,086 S \* 1/2018 Tio ..... D6/675

(Continued)

FOREIGN PATENT DOCUMENTS

CN 304651831 S 5/2018  
CN 304899297 S 11/2018

*Primary Examiner* — Karen E Kearney  
*Assistant Examiner* — Adam C Mager

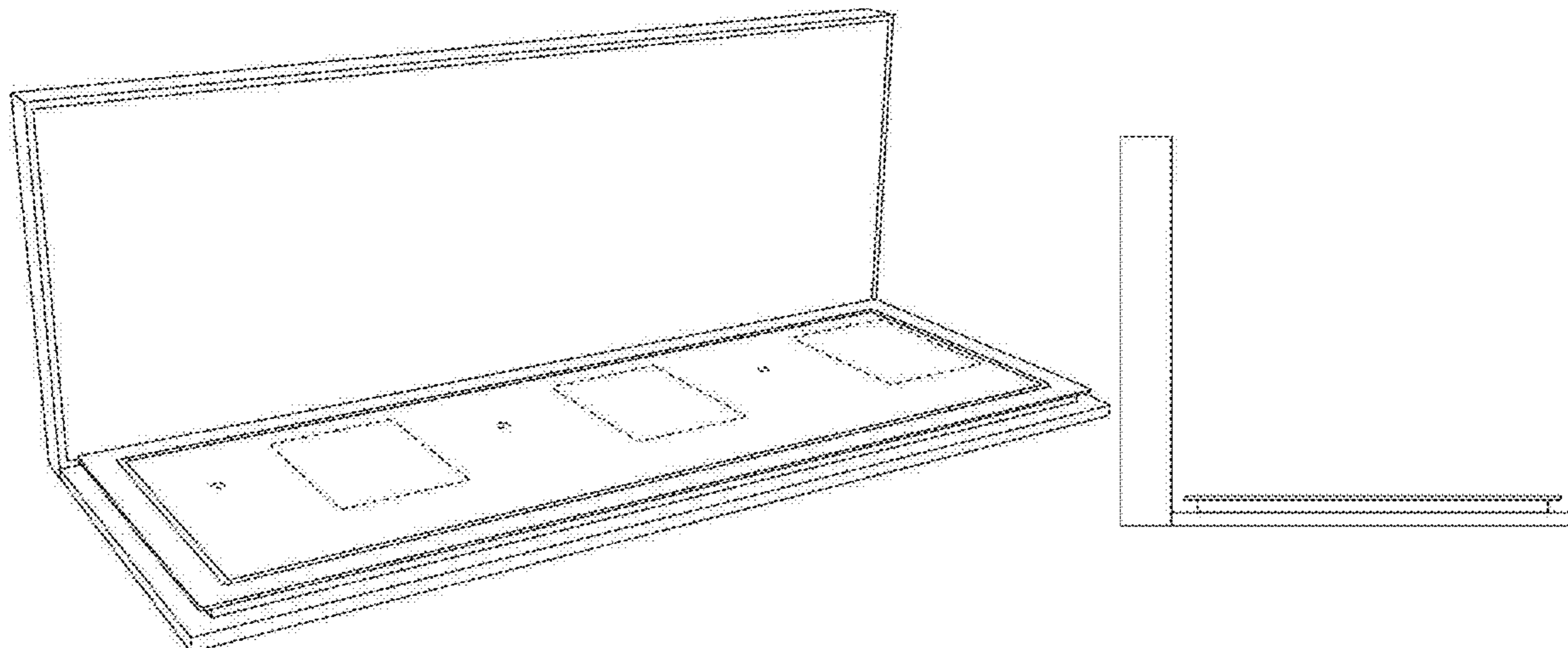
(57) **CLAIM**

The ornamental design for an exhibition table, as shown and described.

**DESCRIPTION**

FIG. 1 is a perspective view of an exhibition table showing my new design;  
FIG. 2 is a front view thereof;  
FIG. 3 is a left side view thereof;  
FIG. 4 is a right side view thereof; and,  
FIG. 5 is a top view thereof.  
The bottom and rear views are flat and include no surface ornamentation.  
The broken lines in the figures show portions of the exhibition table that form no part of the claimed design.

**1 Claim, 2 Drawing Sheets**



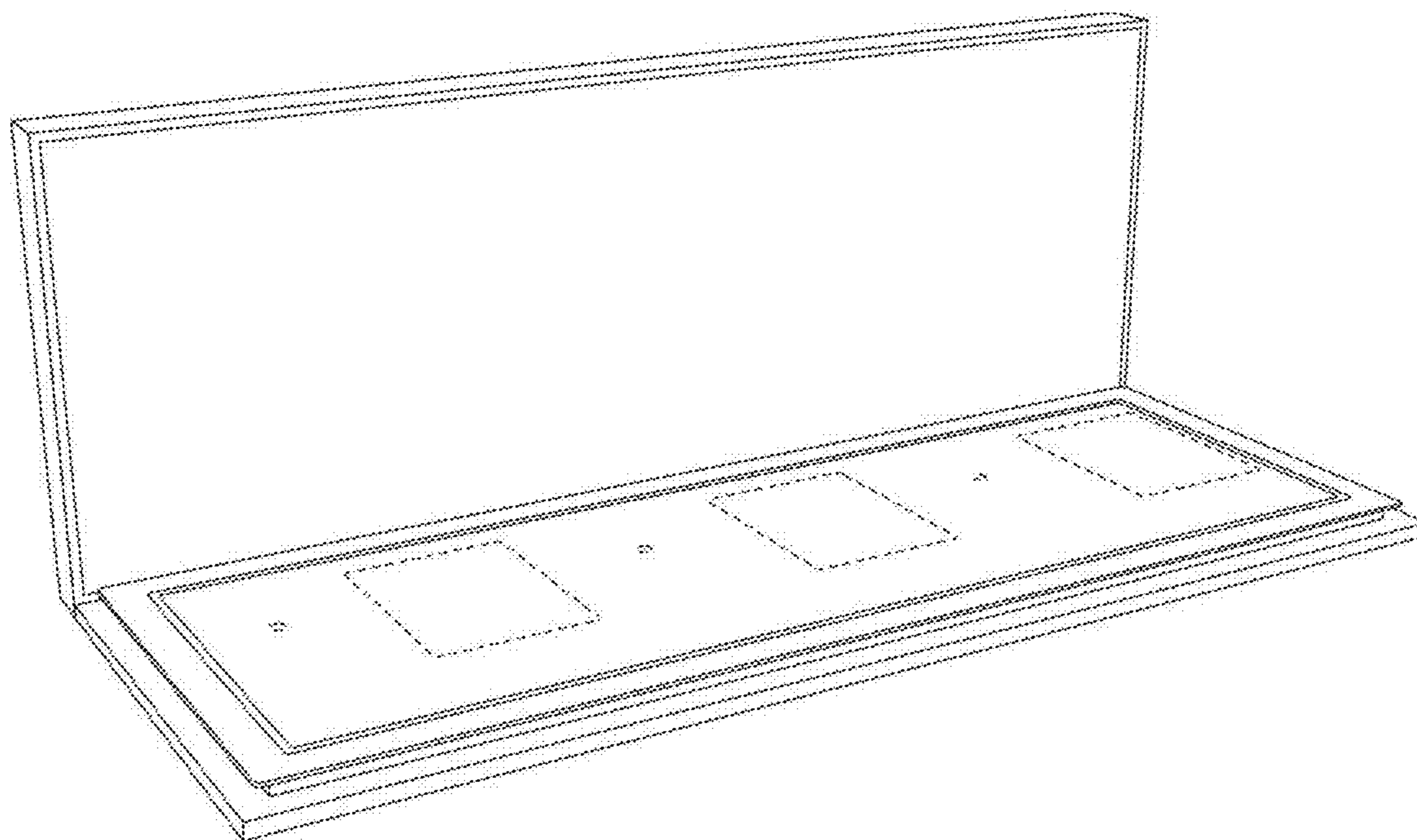
(56)

**References Cited**

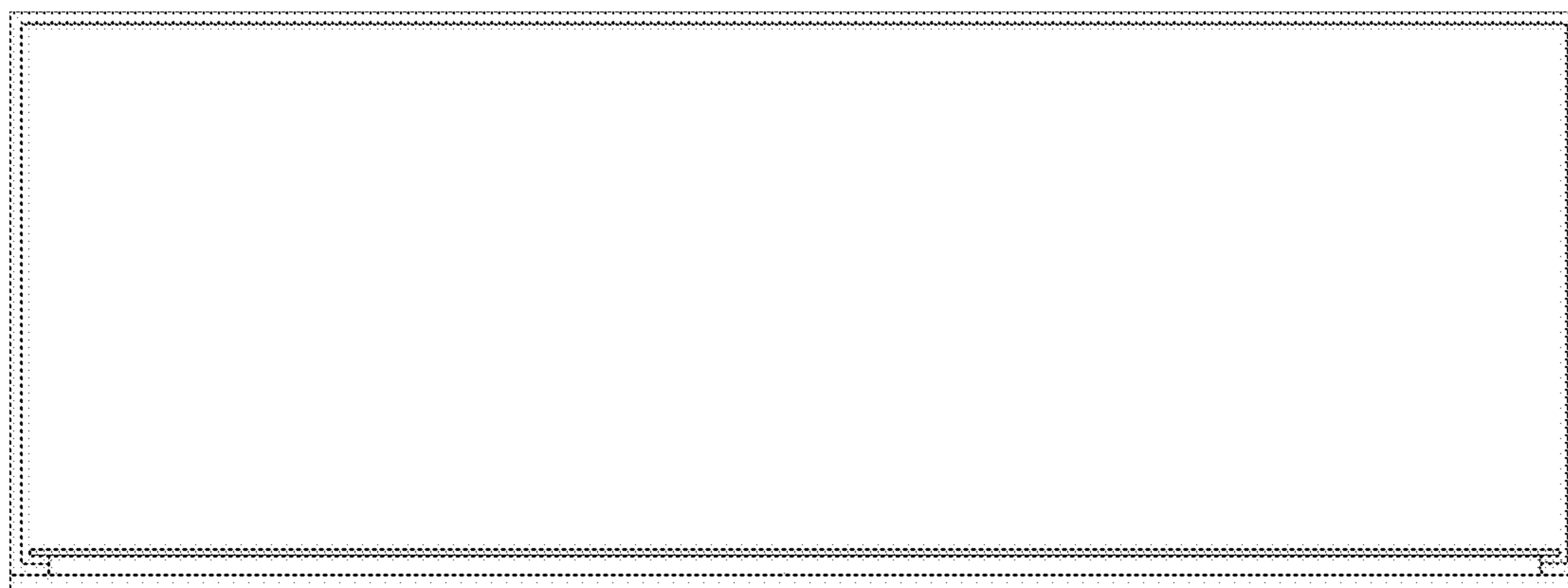
U.S. PATENT DOCUMENTS

D821,119 S *	6/2018	Choi .....	D6/675
D824,702 S *	8/2018	Tio .....	D6/675
D842,627 S *	3/2019	Siminoff .....	D6/672
D842,628 S *	3/2019	Siminoff .....	D6/672
D861,391 S *	10/2019	Choi .....	D6/675
10,643,270 B1 *	5/2020	Vieville .....	H04L 12/1895
D887,756 S *	6/2020	Huang .....	D6/694

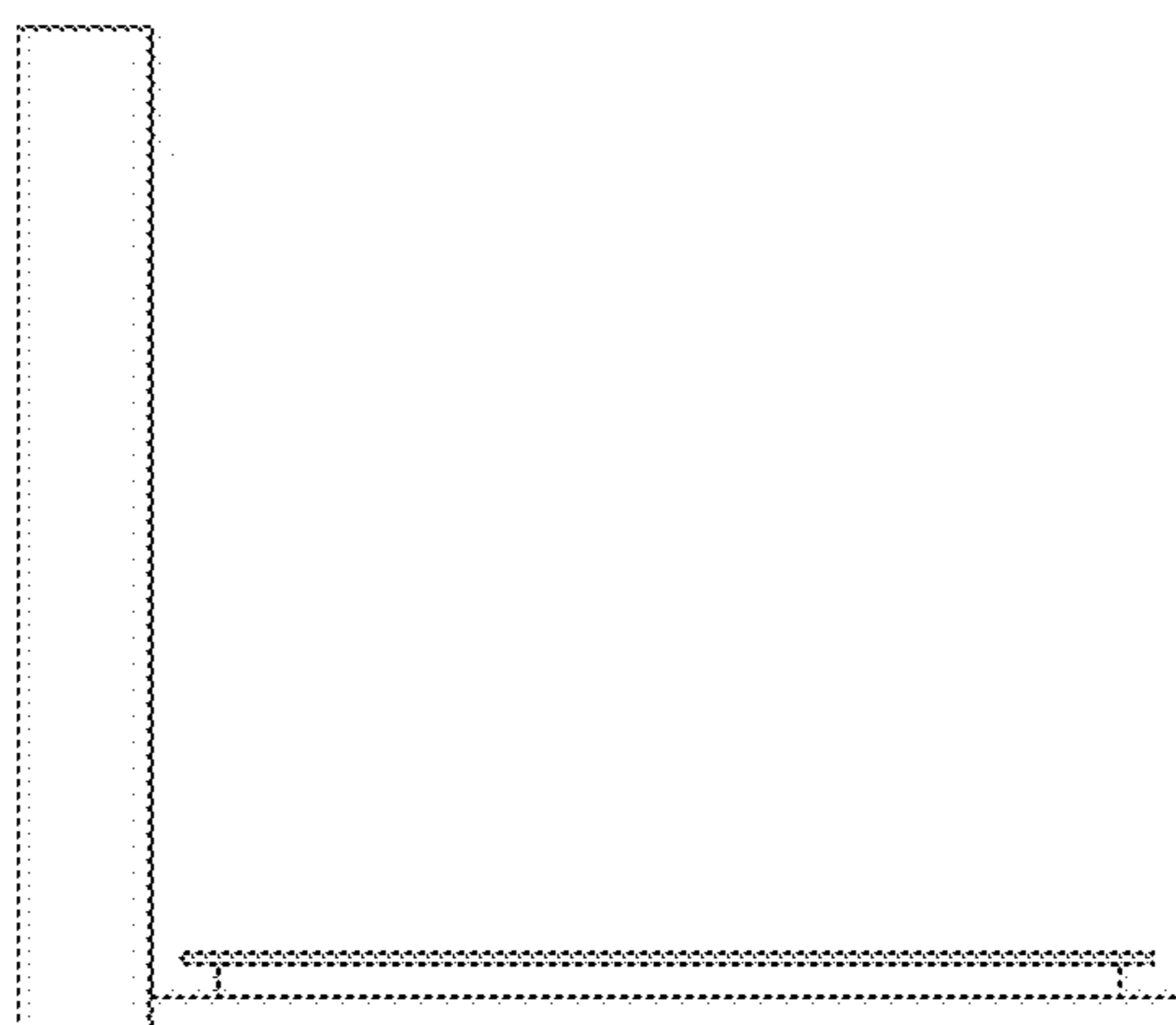
\* cited by examiner



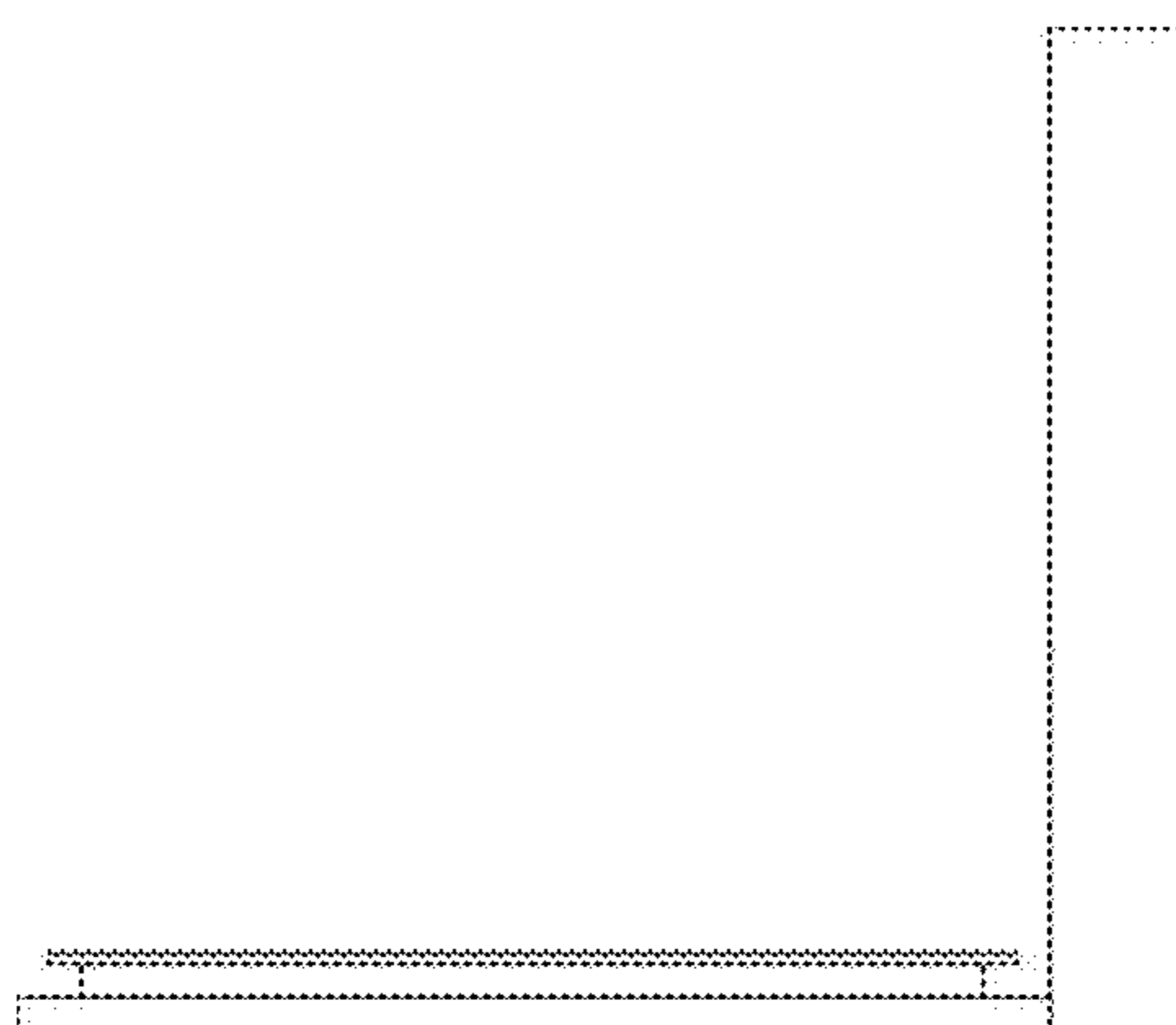
**FIG. 1**



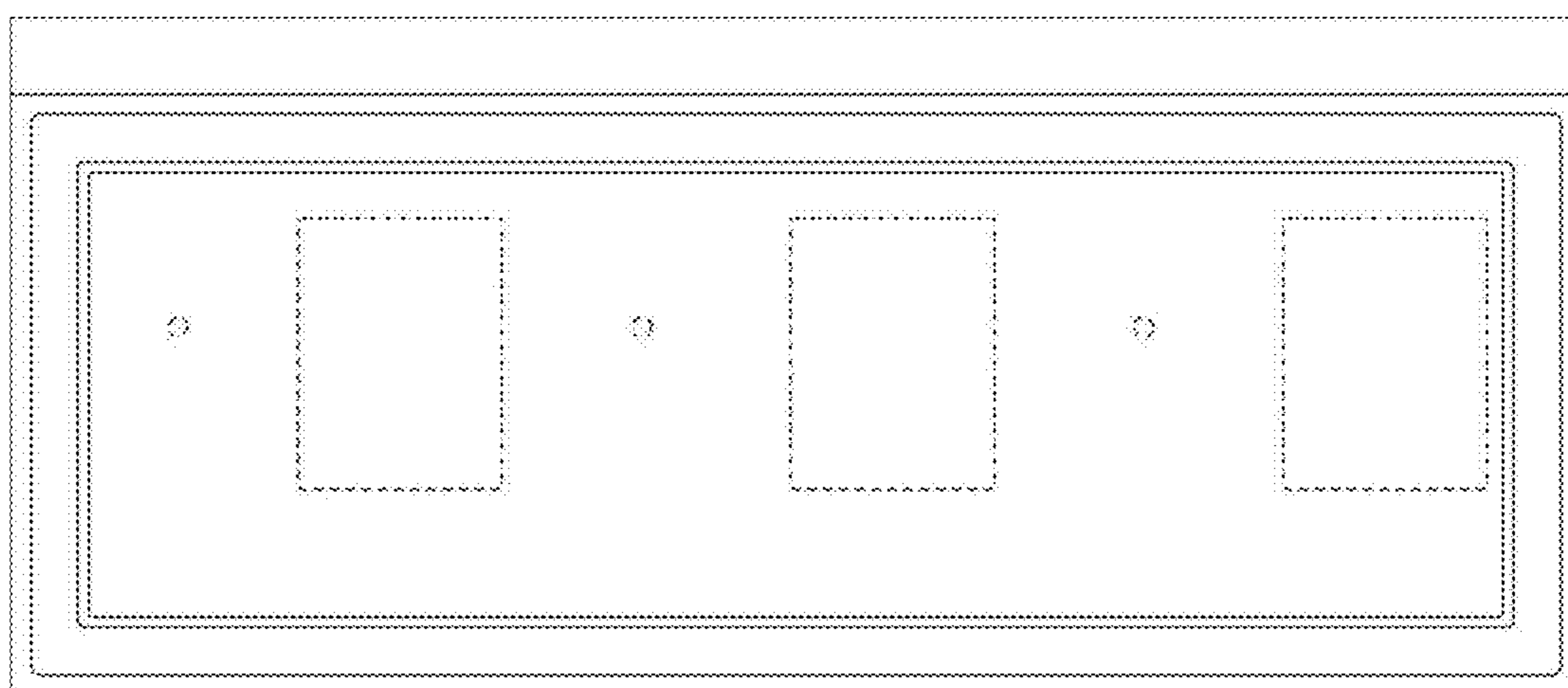
**FIG. 2**



**FIG. 3**



**FIG. 4**



**FIG. 5**