



US00D900509S

(12) **United States Design Patent**
Johnson et al.

(10) **Patent No.:** **US D900,509 S**

(45) **Date of Patent:** **** Nov. 3, 2020**

(54) **HEIGHT-ADJUSTABLE DESK**
(71) Applicant: **Steelcase Inc.**, Grand Rapids, MI (US)
(72) Inventors: **Brandon Johnson**, Byron Center, MI (US); **Penghao Shan**, Munich (DE); **John M. Allen**, Grand Rapids, MI (US); **Justin G. Beitzel**, Grand Rapids, MI (US); **Alban Moriniere**, Munich (DE); **William Bennie**, Rockford, MI (US)

D296,738 S 7/1988 Hubert
D335,889 S 5/1993 Gibran
5,934,203 A * 8/1999 Glass A47B 13/003
108/156
D423,832 S * 5/2000 Kane D6/709.21
D426,988 S 6/2000 Desombre
D441,224 S 5/2001 Scheper et al.
D508,938 S 8/2005 Murray et al.
D513,892 S * 1/2006 Glass D6/338
D552,660 S 10/2007 Lee
D575,968 S * 9/2008 Saffell D6/709.21
(Continued)

(73) Assignee: **Steelcase, Inc.**, Grand Rapids, MI (US)

(**) Term: **15 Years**

(21) Appl. No.: **29/662,236**

(22) Filed: **Sep. 4, 2018**

(51) **LOC (12) Cl.** **06-03**

(52) **U.S. Cl.**
USPC **D6/656.13**

(58) **Field of Classification Search**
USPC D6/353, 368, 642, 644, 649, 651, 655,
D6/655.1, 655.11, 655.12, 655.13, 655.14,
D6/655.15, 655.16, 655.17, 655.18, 655.2,
D6/655.21, 656, 656.11, 656.13, 656.15,
D6/656.16, 656.17, 656.19, 657, 663,
D6/686, 691, 709
CPC A47B 81/00; A47B 88/00; A47B 88/41;
A47B 88/42; A47B 2210/16; B62B 3/00;
B60B 33/00
See application file for complete search history.

(56) **References Cited**

U.S. PATENT DOCUMENTS

925,853 A 6/1909 Tompkins
983,903 A * 2/1911 Horton A47B 3/12
108/154
1,001,900 A 8/1911 Stark, Jr.
1,006,427 A 10/1911 Boraks

OTHER PUBLICATIONS

Steelcase Flex, posted at Steelcase.com, posted on Jul. 23, 2019, site visited Dec. 18, 2019. online, available from internet: <https://web.archive.org/web/20190723120148/https://www.steelcase.com/products/height-adjustable-desks/> (Year: 2019).*

Primary Examiner — Mary Ann Calabrese

Assistant Examiner — Catherine Ho

(74) *Attorney, Agent, or Firm* — Brinks Gilson & Lione

(57) **CLAIM**

We claim ornamental design for a height-adjustable desk, as shown and described.

DESCRIPTION

FIG. 1 is a top perspective view of a height-adjustable desk; FIG. 2 is a top plan view thereof; FIG. 3 is a bottom plan view thereof; FIG. 4 is a front elevation view thereof; FIG. 5 is a rear elevation view thereof; FIG. 6 is a left side elevation view thereof; FIG. 7 is a right side elevation view thereof; and, FIG. 8 is a top perspective view thereof with the desktop raised.

The broken line portion of the figure drawings is included to show features that form no part of the claimed design.

1 Claim, 5 Drawing Sheets



(56)

References Cited

U.S. PATENT DOCUMENTS

7,810,654 B1 * 10/2010 Wang A47G 25/06
211/106.01
D696,883 S 1/2014 Krusin
8,667,908 B2 * 3/2014 Martin A47B 13/003
108/153.1
D716,592 S 11/2014 Belitz
D723,311 S 3/2015 Jiang et al.
D760,521 S 7/2016 Galiotto
D768,419 S 10/2016 Galiotto
D772,620 S 11/2016 Dahlstrom et al.
D808,204 S * 1/2018 Davis D6/691
D809,839 S * 2/2018 Menayan D6/691.6
9,901,168 B2 * 2/2018 Menayan A47B 21/06
D843,148 S * 3/2019 Menayan D6/691.6
2010/0126394 A1 * 5/2010 Burak A47B 83/001
108/186
2016/0150877 A1 * 6/2016 Wei Siao A47B 9/20
248/188.5

* cited by examiner

FIG. 1

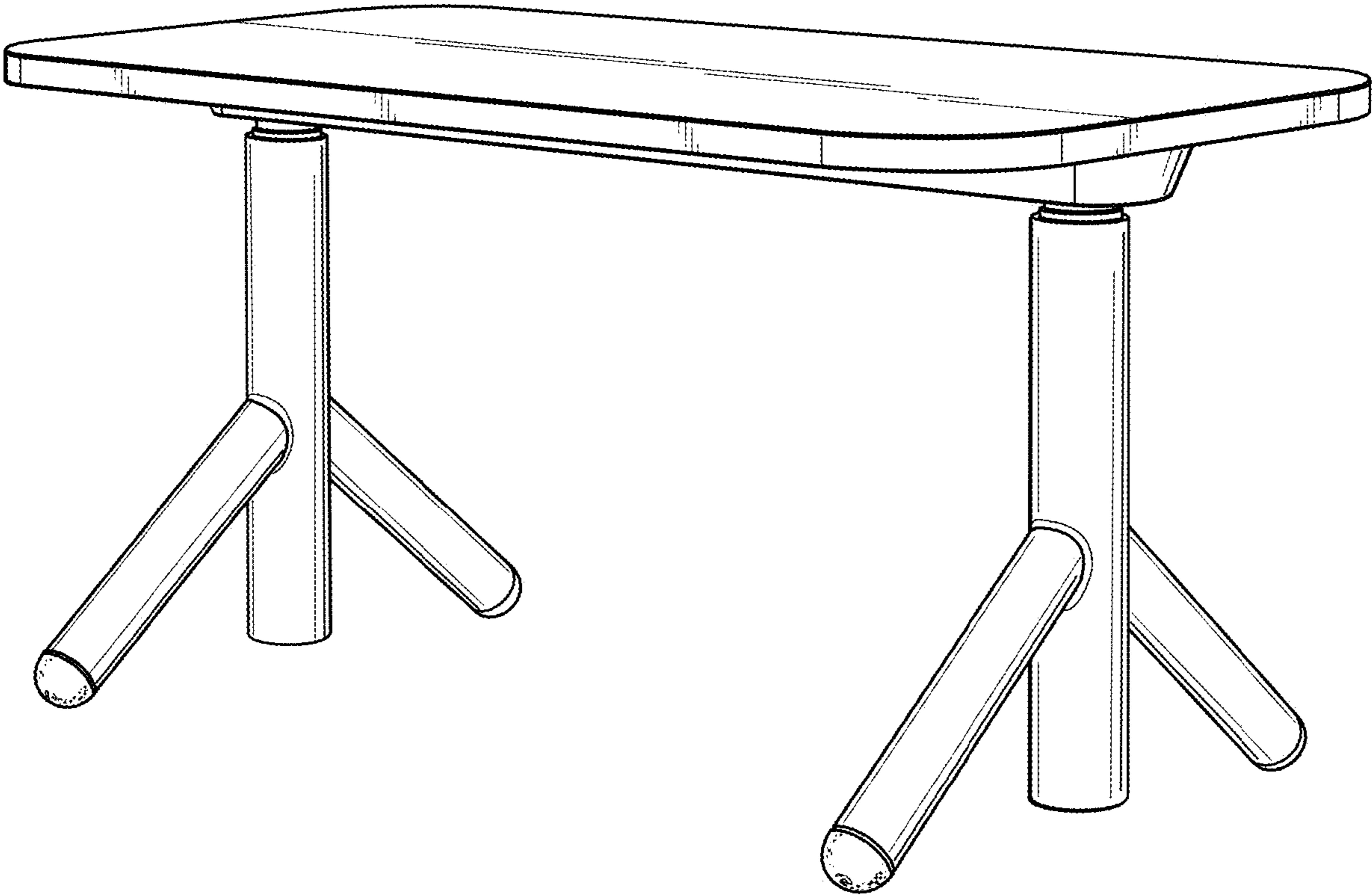


FIG. 2

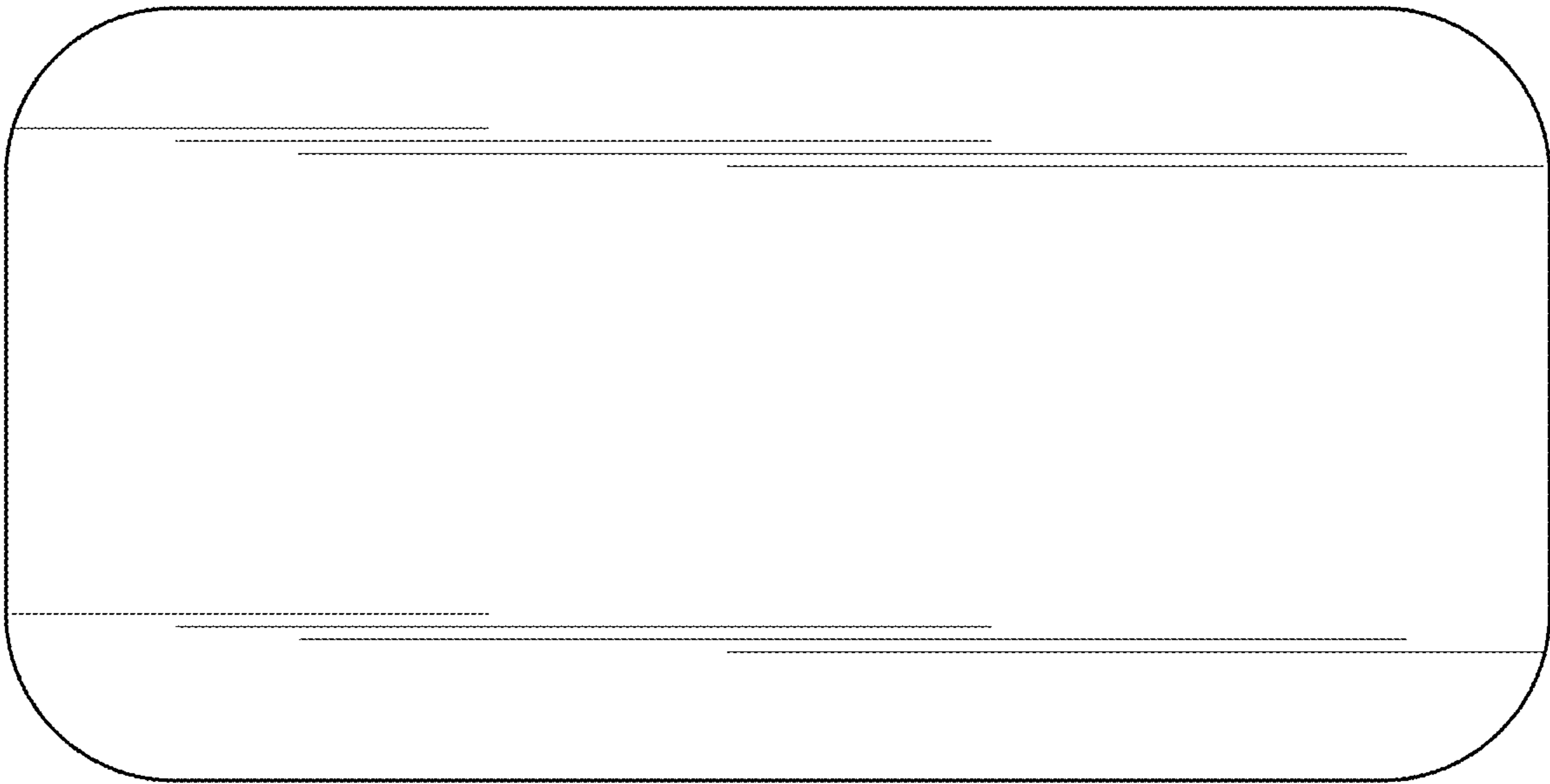


FIG. 3

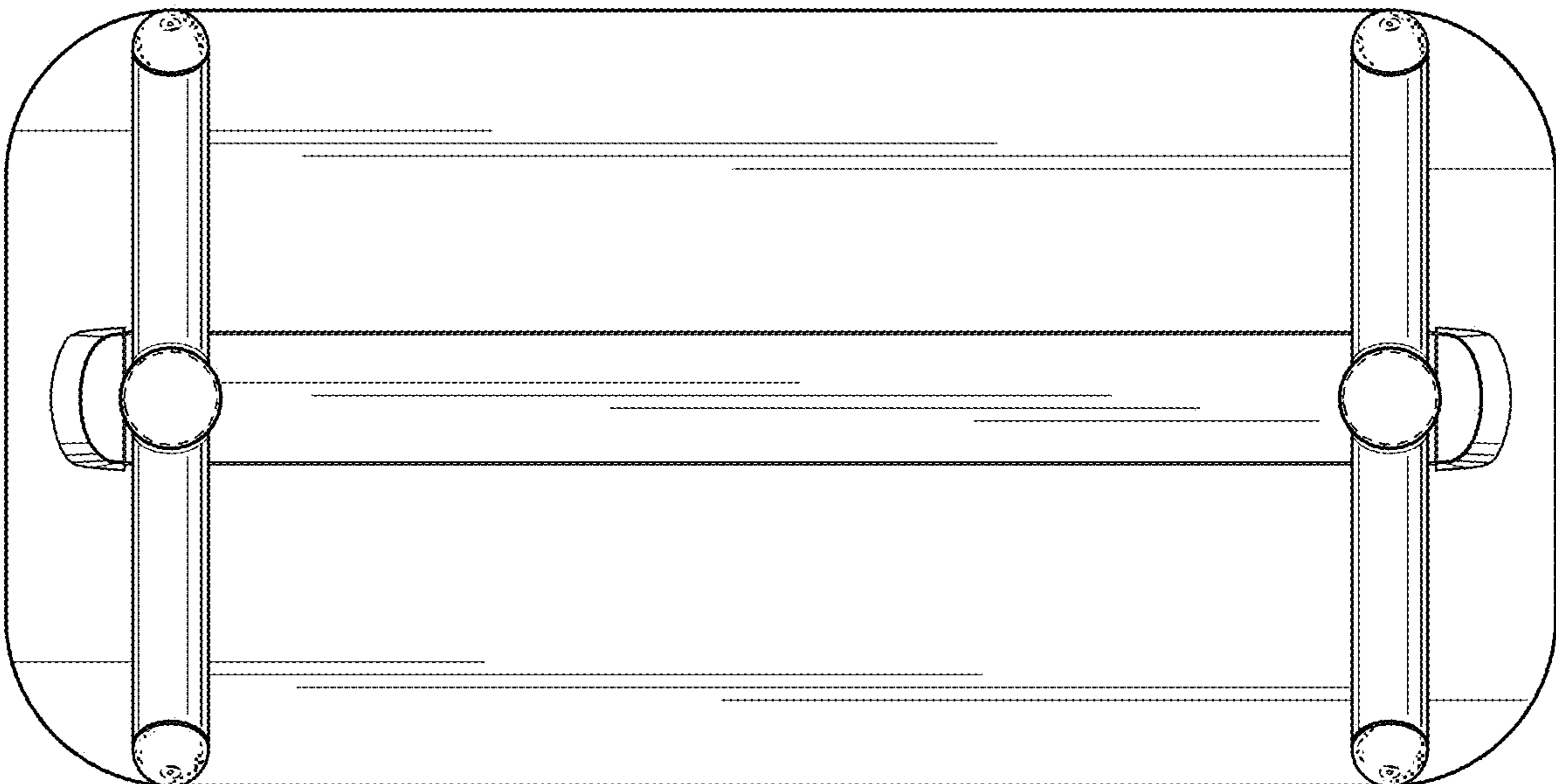


FIG. 4

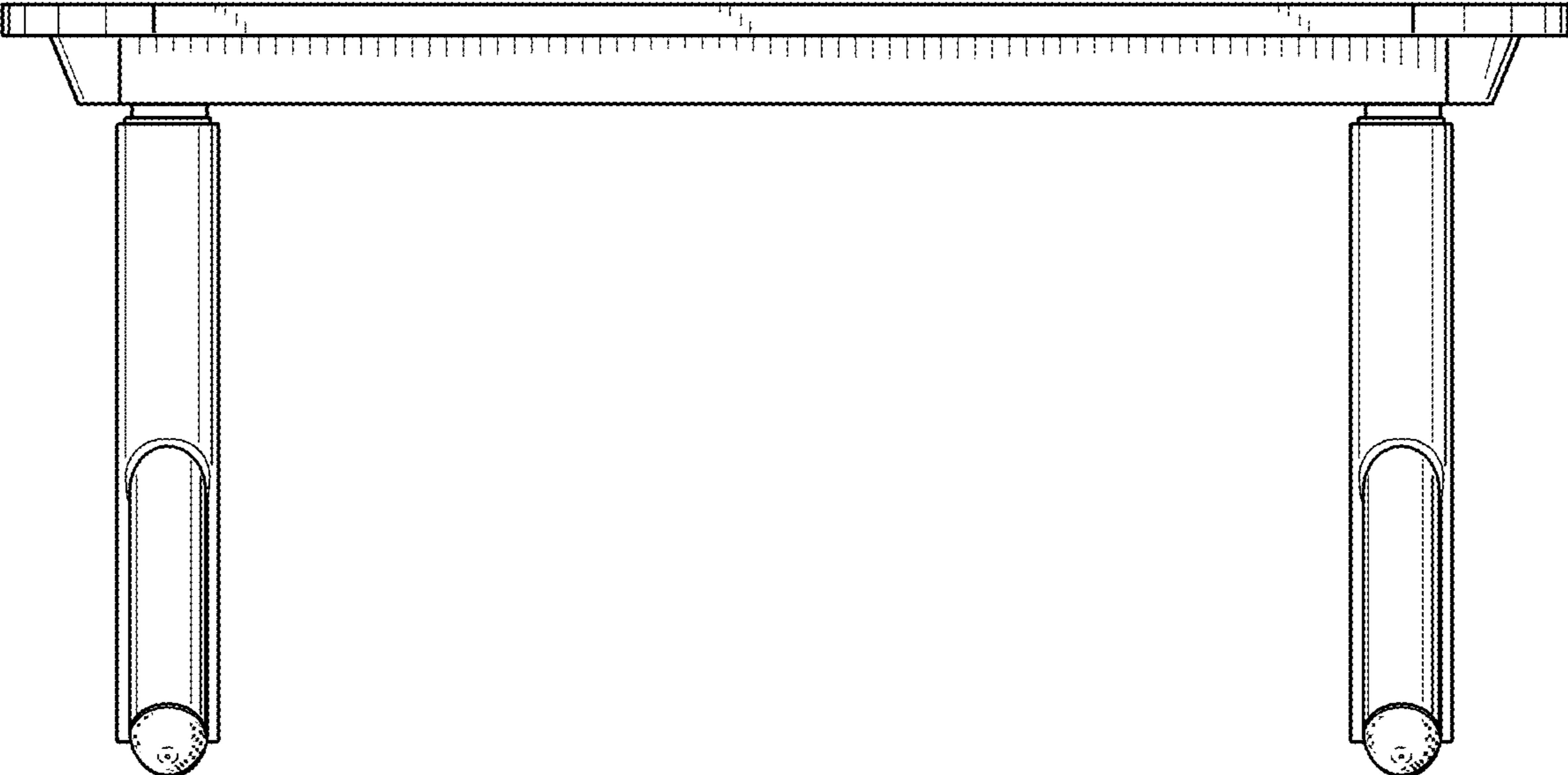


FIG. 5

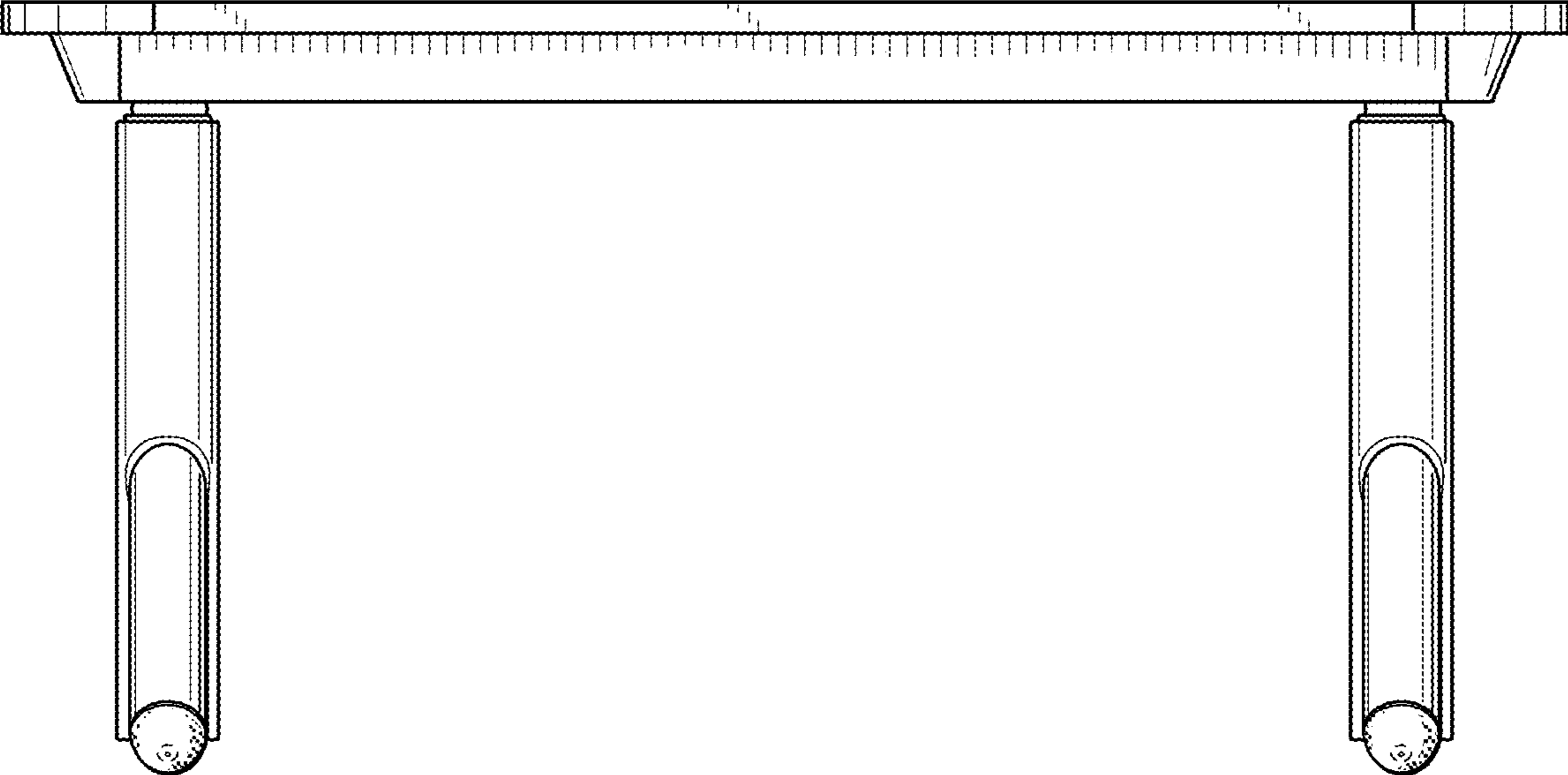


FIG. 6

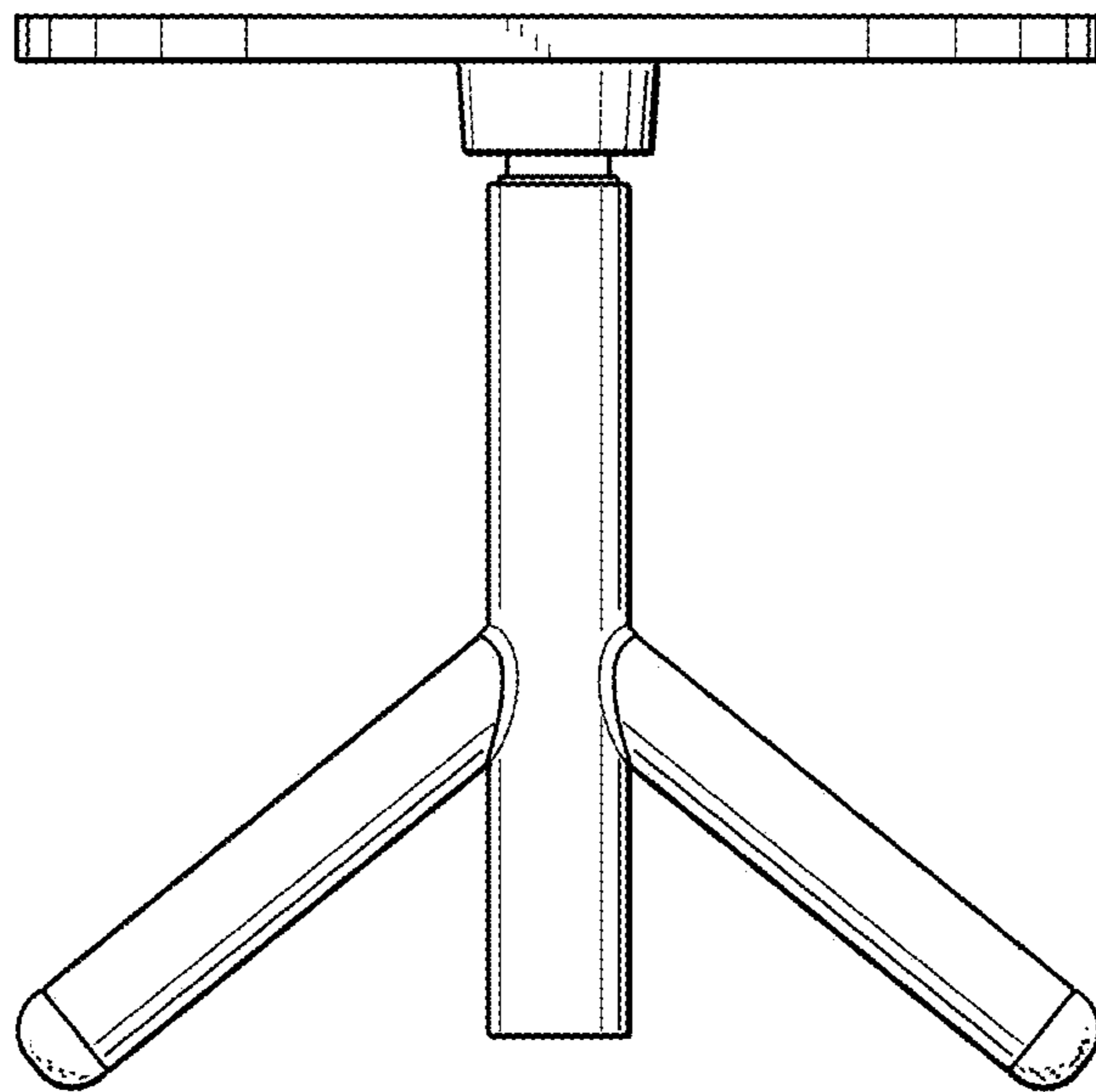


FIG. 7

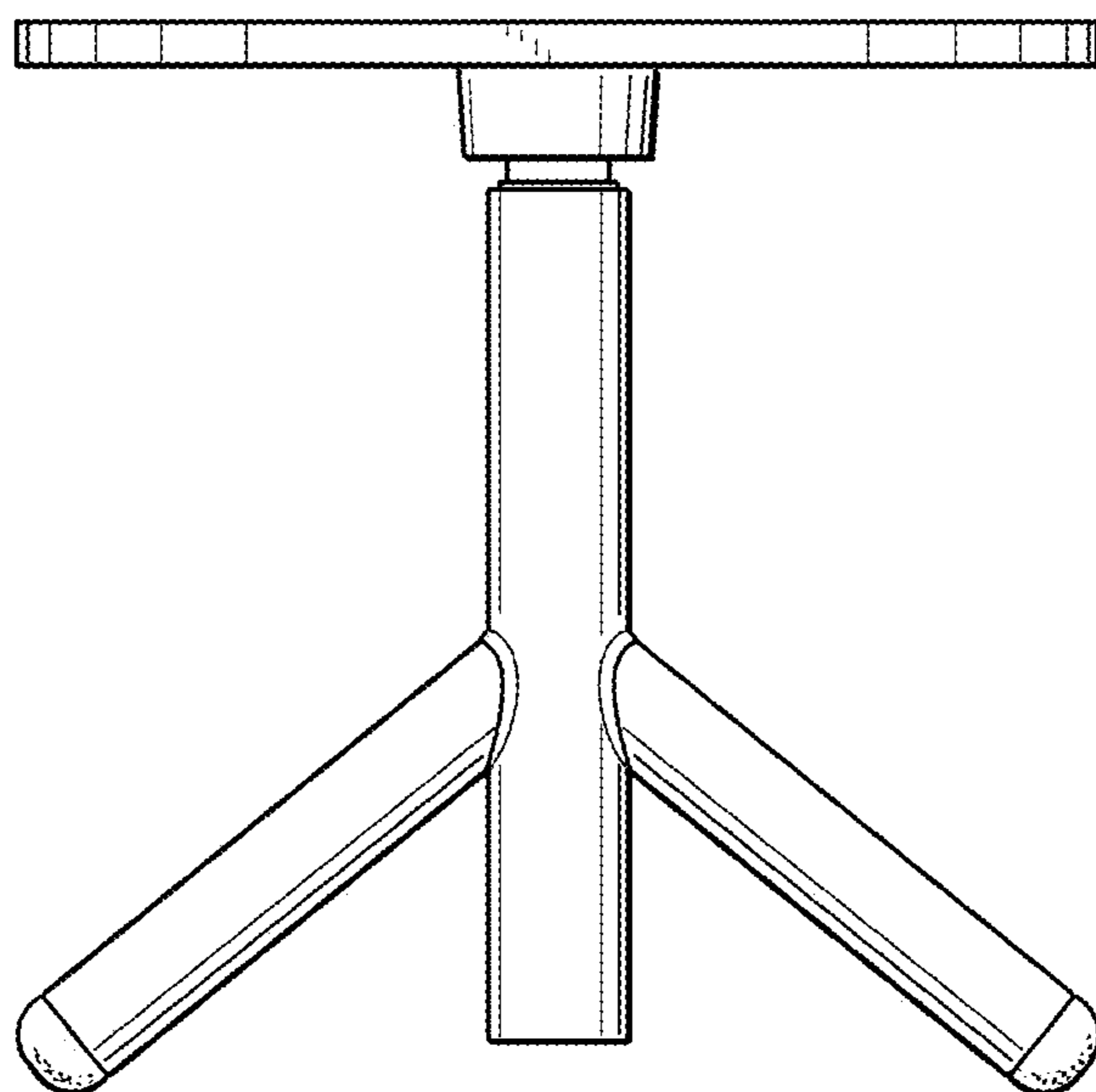


FIG. 8

