



US00D900508S

(12) **United States Design Patent** (10) **Patent No.:** **US D900,508 S**
Guo (45) **Date of Patent:** **** Nov. 3, 2020**

(54) **DESK**
(71) Applicant: **Qihu Guo**, Anhui (CN)
(72) Inventor: **Qihu Guo**, Anhui (CN)
(**) Term: **15 Years**
(21) Appl. No.: **29/731,682**
(22) Filed: **Apr. 17, 2020**
(51) **LOC (12) Cl.** **06-03**
(52) **U.S. Cl.**
USPC **D6/655.1**; D6/691.9
(58) **Field of Classification Search**
USPC D6/641, 642, 655, 655.1, 655.11, 655.19,
D6/656, 685, 686, 691.8, 691.9
CPC A47B 7/00; A47B 13/00; A47B 13/02;
A47B 13/04; A47B 13/06; A47B 13/08;
A47B 13/12; A47B 17/00; A47B 17/003;
A47B 17/006; A47B 21/00; A47B
2200/0001; A47B 2200/0011; A47B
2200/002
See application file for complete search history.

D497,742 S * 11/2004 Dortch D6/655
D641,996 S * 7/2011 Wahl D6/691.8
D823,621 S * 7/2018 Everson D6/691.9
D851,964 S 6/2019 Davis et al.

OTHER PUBLICATIONS

McLeod 72" W Knob Drawer Writing Desk—Wayfair <https://www.wayfair.com/furniture/pdp/loon-peak-mcleod-72-w-knob-drawer-writing-desk-Inpe7494.html> retrieved from the internet on Sep. 2, 2020.*
Home Decorators Collection 44 in. Rectangular Brown 2 Drawer Writing Desk—Home Depot <https://www.homedepot.com/p/Home-Decorators-Collection-44-in-Rectengular-Brown-2-Drawer-Writing-Desk-with-Solid-Wood-Material-SK19051A3-SB/309991626> retrieved from the internet on Sep. 2, 2020.*

* cited by examiner

Primary Examiner — Mary Ann Calabrese

(57) **CLAIM**

The ornamental design for a desk, as shown and described.

DESCRIPTION

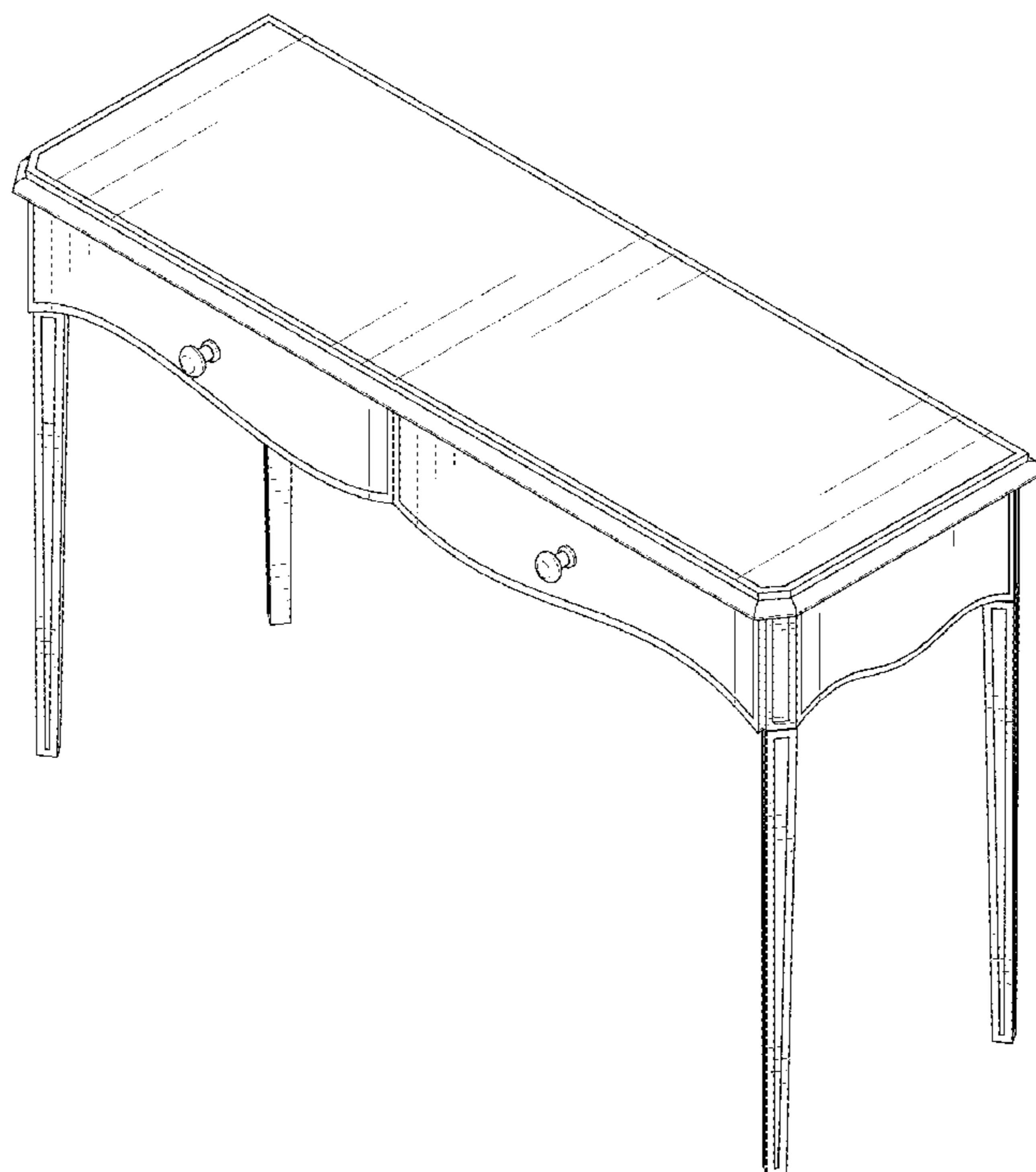
FIG. 1 is a front and top perspective view of a desk, showing my new design;
FIG. 2 is a rear and bottom perspective view thereof;
FIG. 3 is a front elevational view thereof;
FIG. 4 is a rear elevational view thereof;
FIG. 5 is a left side elevational view thereof;
FIG. 6 is a right side elevational view thereof;
FIG. 7 is a top plan view thereof; and,
FIG. 8 is a bottom plan view thereof.

1 Claim, 8 Drawing Sheets

(56) **References Cited**

U.S. PATENT DOCUMENTS

D84,439 S * 6/1931 Purnell D6/691.9
D146,845 S * 6/1947 Bach D6/691
D146,846 S * 6/1947 Bach D6/691
D155,976 S * 11/1949 Dunham D6/655
D188,605 S * 8/1960 Lubberts et al. D6/656
D209,404 S * 11/1967 Pearlman D6/686
D346,082 S * 4/1994 Ward D6/691
D444,313 S * 7/2001 Hutton D6/691
D486,016 S * 2/2004 Stanton D6/656



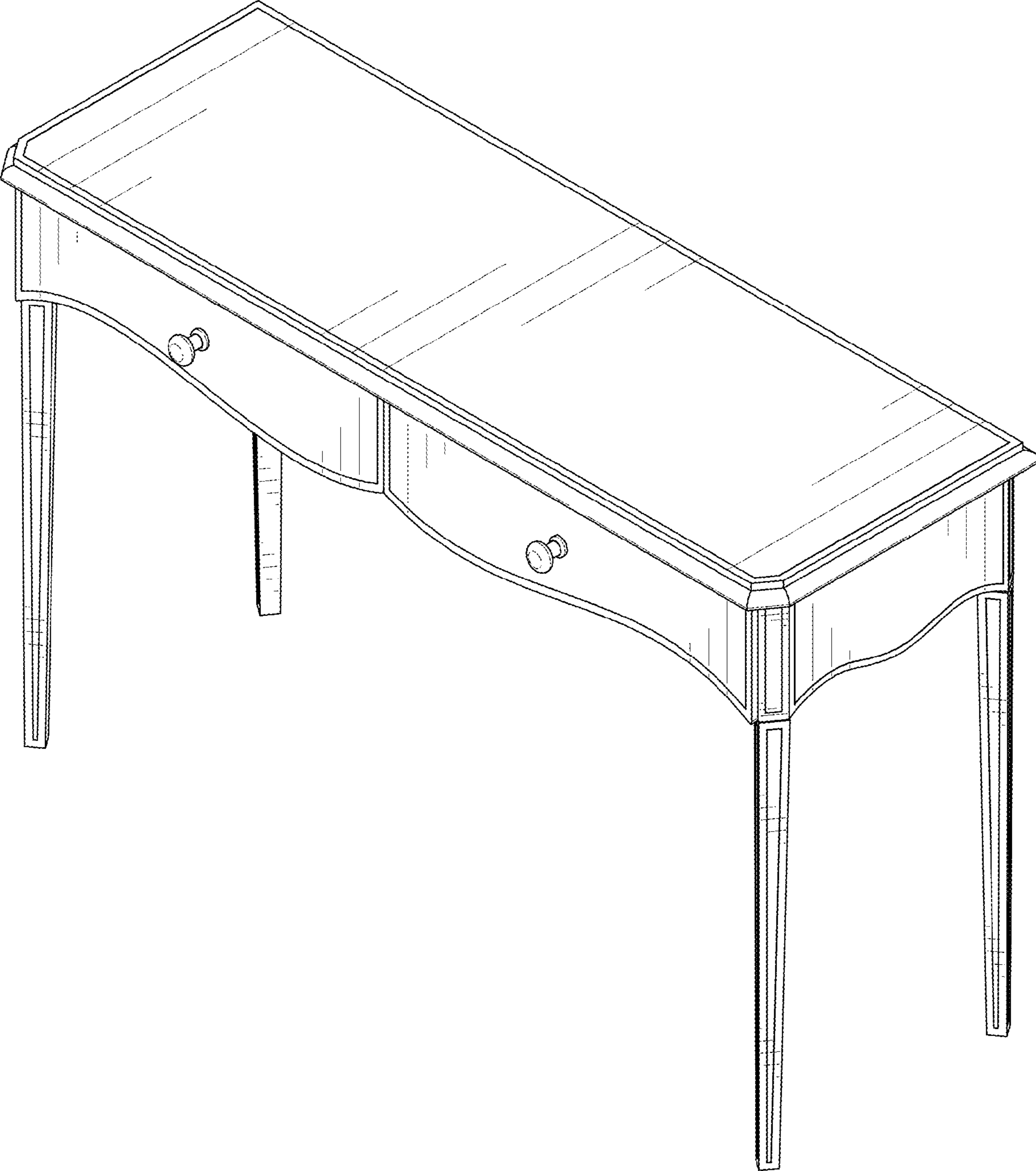


FIG. 1

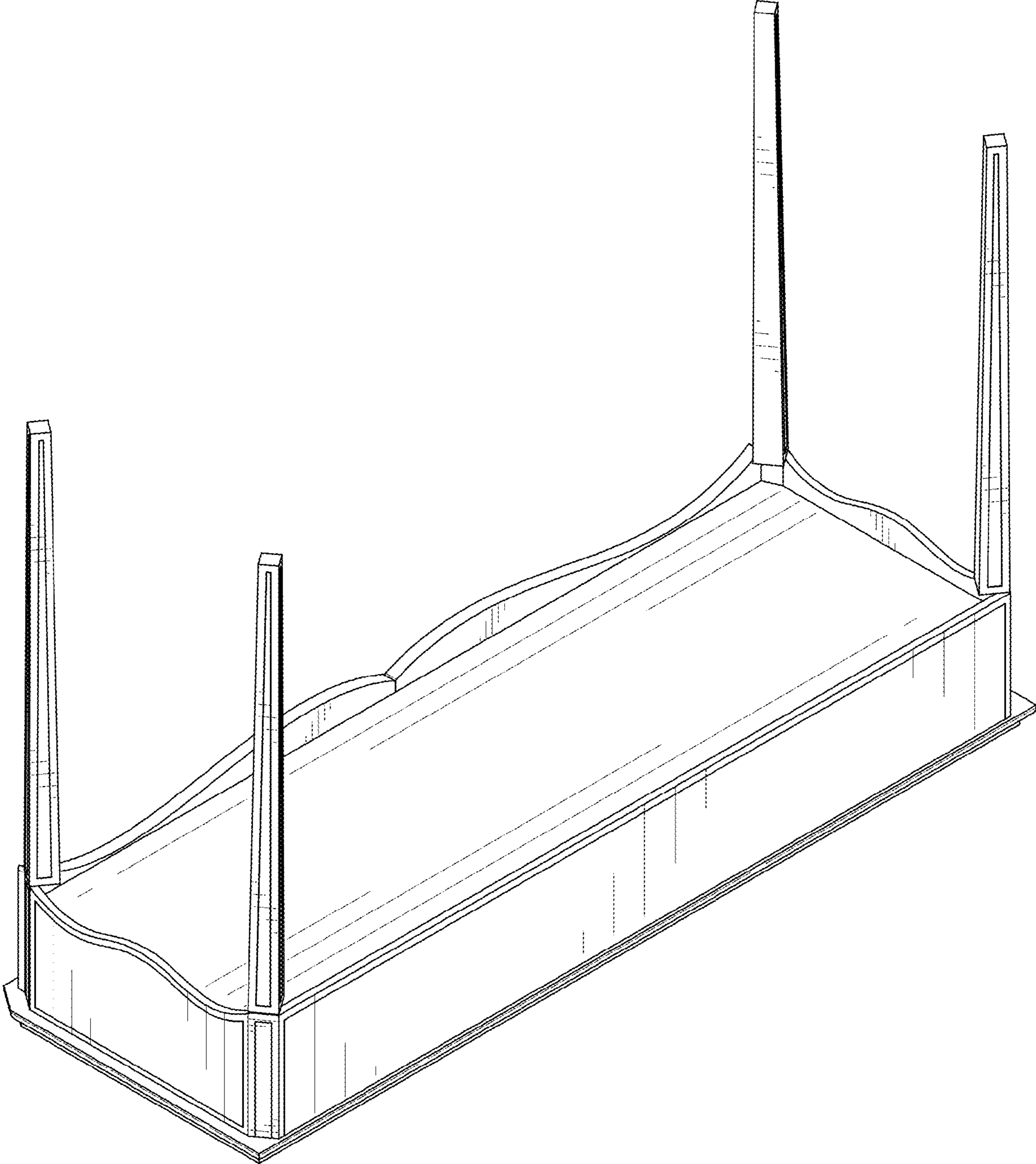


FIG. 2

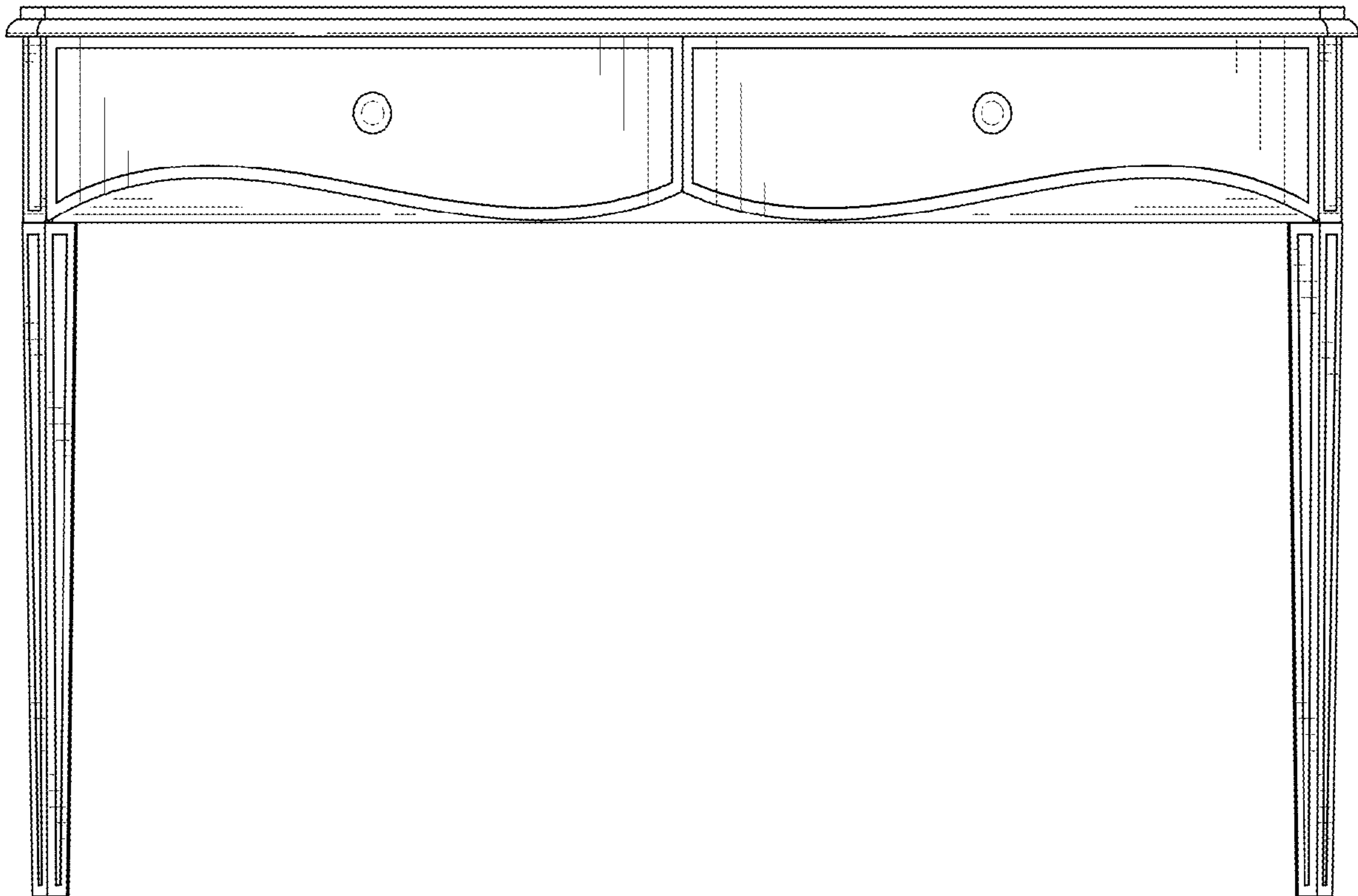


FIG. 3

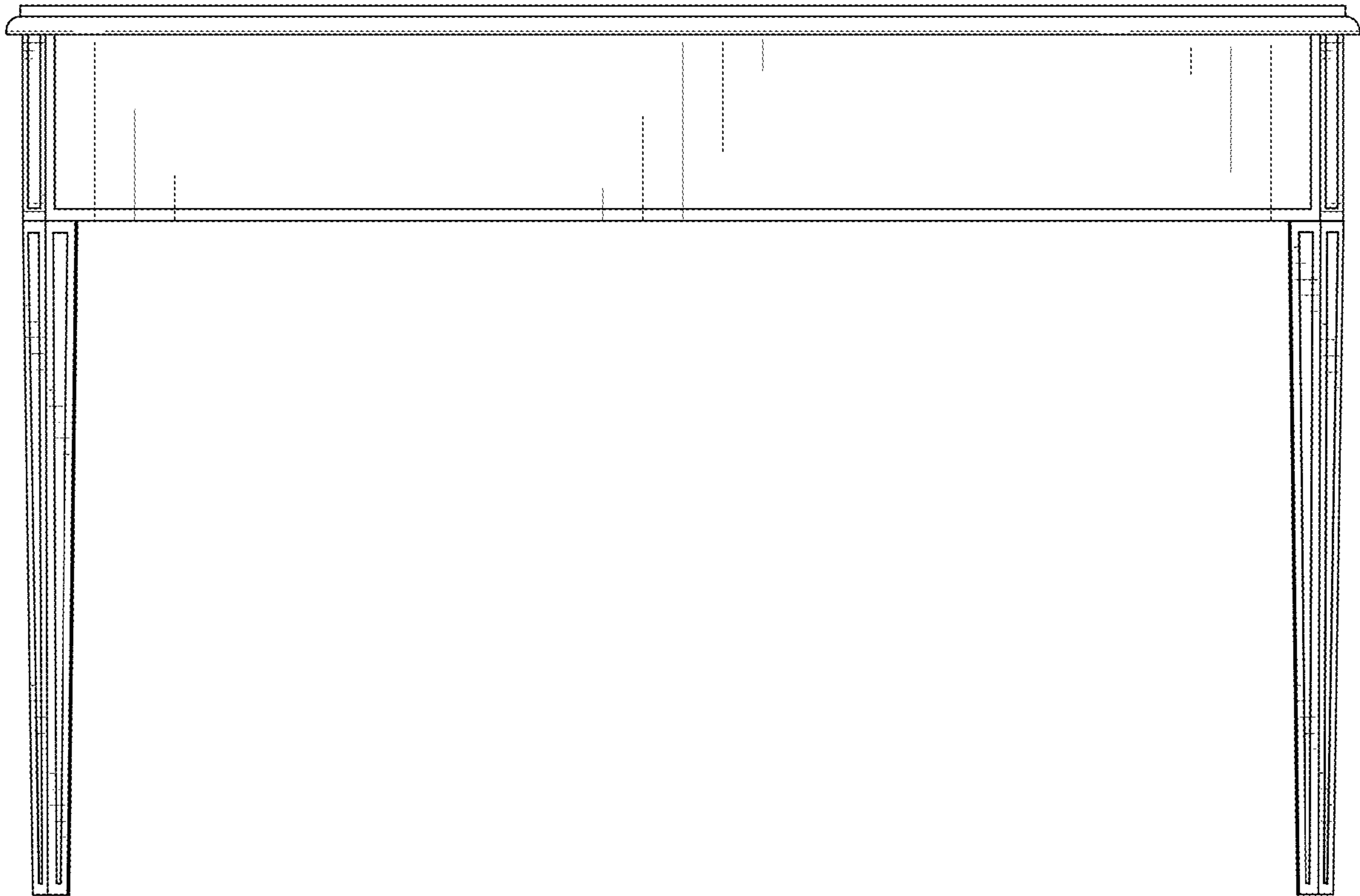


FIG. 4

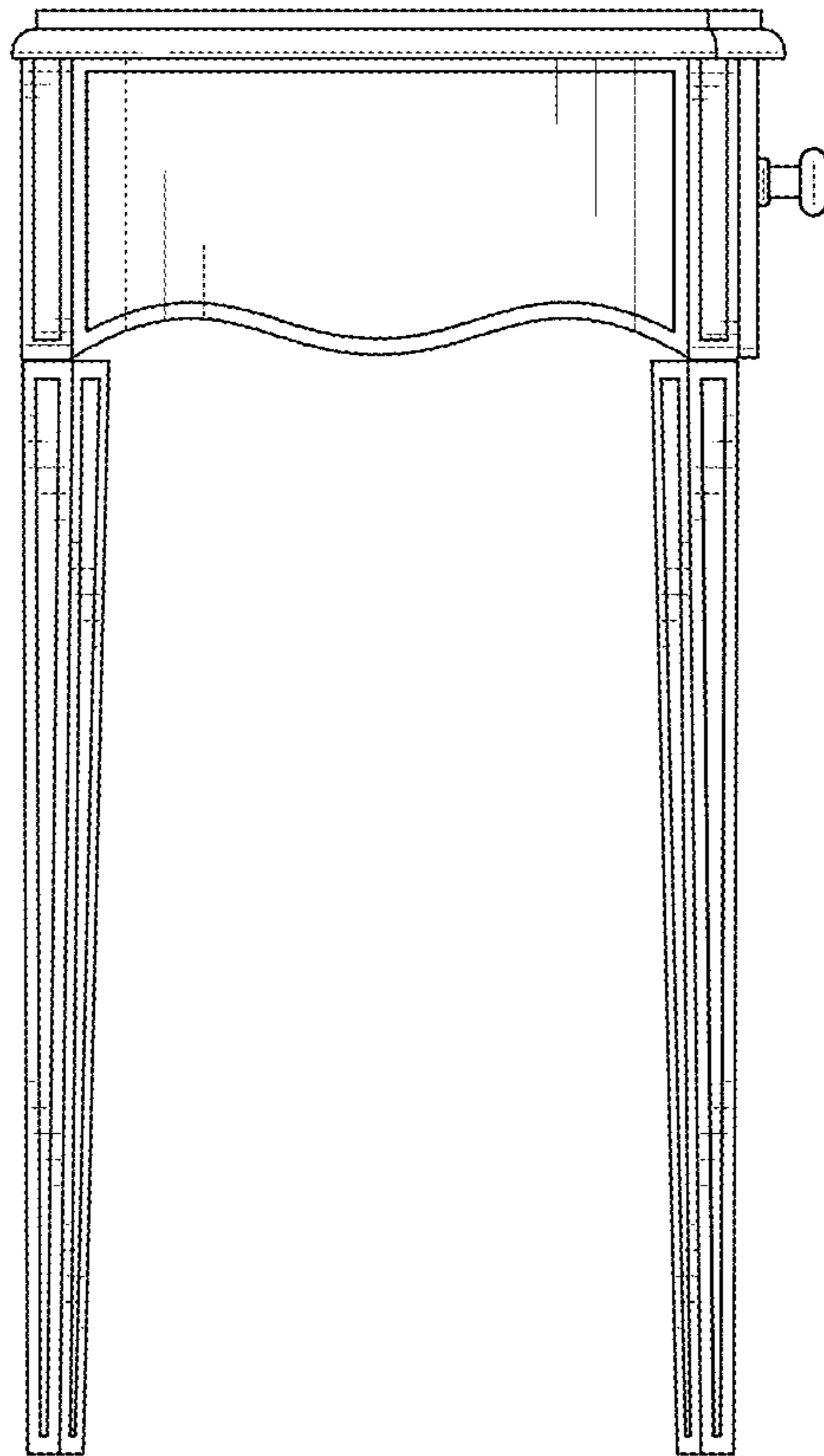


FIG. 5

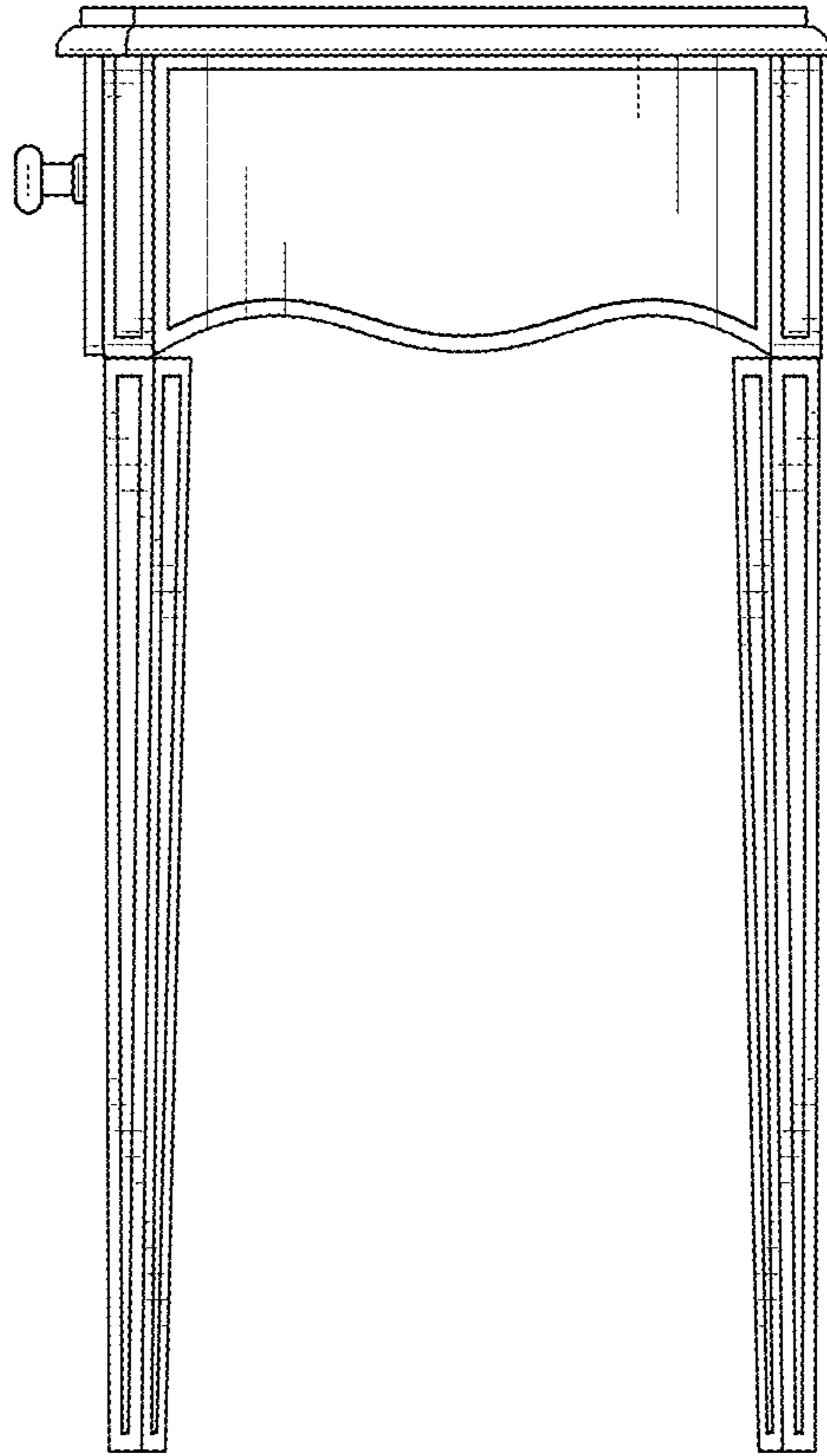


FIG. 6

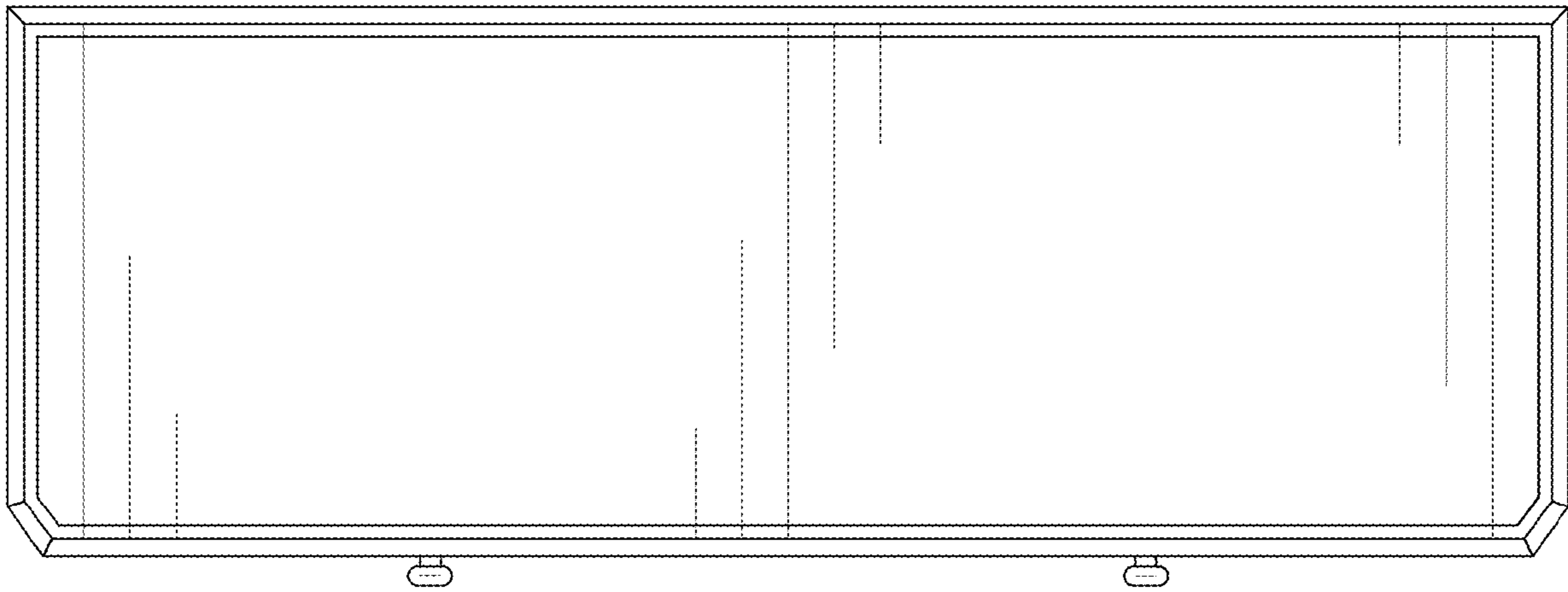


FIG. 7

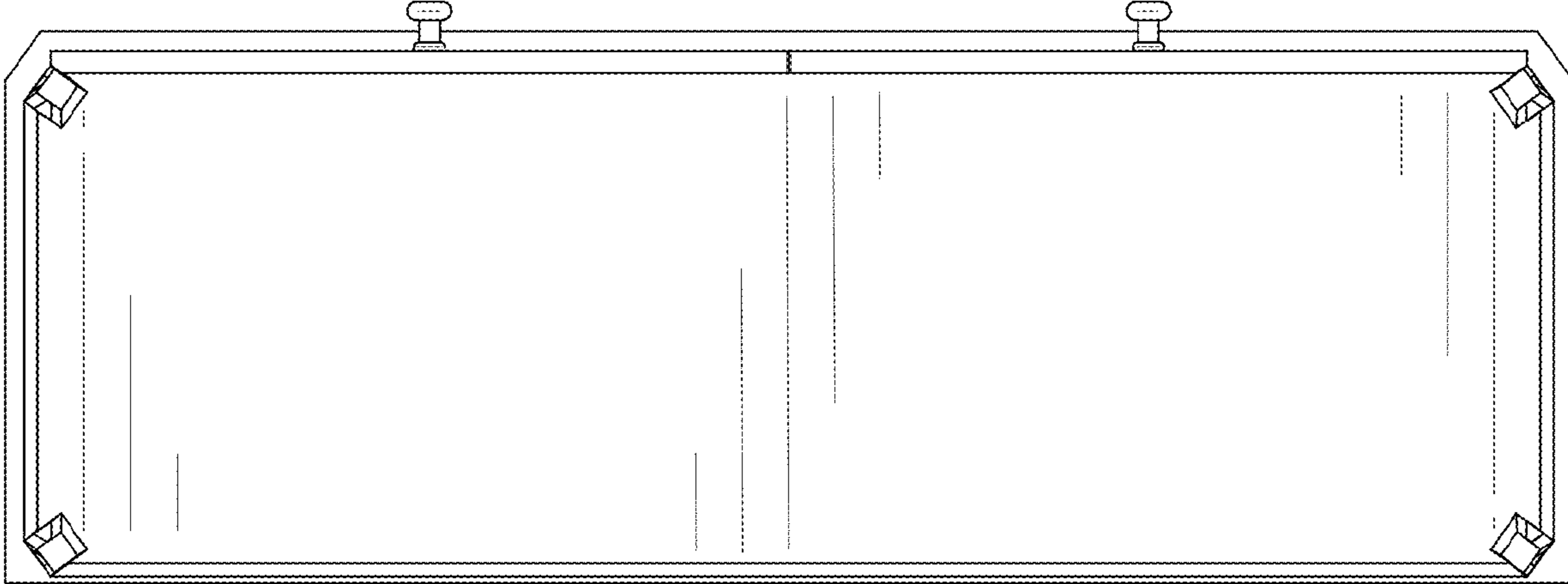


FIG. 8