



US00D900504S

(12) **United States Design Patent** (10) **Patent No.:** **US D900,504 S**  
**Skinner** (45) **Date of Patent:** **\*\* Nov. 3, 2020**

(54) **TOILET PAPER DISPENSER**  
(71) Applicant: **Brightwell Dispensers Limited,**  
Newhaven (GB)  
(72) Inventor: **Piers Skinner,** Newhaven (GB)  
(73) Assignee: **Brightwell Dispensers Limited,**  
Newhaven (GB)

D634,953 S \* 3/2011 Meyerhoffer ..... D6/518  
D713,653 S \* 9/2014 Sun Ting Kung ..... D6/545  
D726,439 S \* 4/2015 Giovannoni ..... D6/518  
D727,058 S \* 4/2015 Morand ..... D6/523  
D727,652 S \* 4/2015 Sun Ting Kung ..... D6/518  
D740,587 S \* 10/2015 Sun Ting Kung ..... D6/518  
D790,873 S \* 7/2017 Ku ..... D6/518  
D811,770 S \* 3/2018 Brownley ..... D6/545  
D818,288 S \* 5/2018 Lambert ..... D6/518  
D818,738 S \* 5/2018 Cross ..... D6/520  
D829,018 S \* 9/2018 Meyerhoffer ..... D6/523

(\*\*) Term: **15 Years**

(21) Appl. No.: **29/664,478**

(22) Filed: **Sep. 25, 2018**

(30) **Foreign Application Priority Data**

Mar. 26, 2018 (EM) ..... 5101516-0002

(51) **LOC (12) Cl.** ..... **23-02**

(52) **U.S. Cl.**  
USPC ..... **D6/523**

(58) **Field of Classification Search**  
USPC ..... D6/518-523, 515; D3/201; 206/389,  
206/391, 407, 409; 312/34.1, 34.8;  
211/16, 85.5, 59.2; 221/92, 97, 185, 282,  
221/284; 242/159, 160.2, 550, 560, 590,  
242/594, 59, 588, 589, 589.3, 598.65  
CPC ..... A47K 10/3836; A47K 2010/3253; A47K  
10/38; Y10T 225/282; Y10T 225/237  
See application file for complete search history.

(56) **References Cited**

**U.S. PATENT DOCUMENTS**

D503,576 S \* 4/2005 Reynolds ..... D6/545  
D613,538 S \* 4/2010 Cattacin ..... D6/523

**OTHER PUBLICATIONS**

youtube.com, myriad soap and paper dispenser range, May 9, 2018,  
<https://www.youtube.com/watch?v=aAPqrUupiW> (Year: 2018).\*

\* cited by examiner

*Primary Examiner* — Nathan M Johnston  
(74) *Attorney, Agent, or Firm* — Levy & Grandinetti

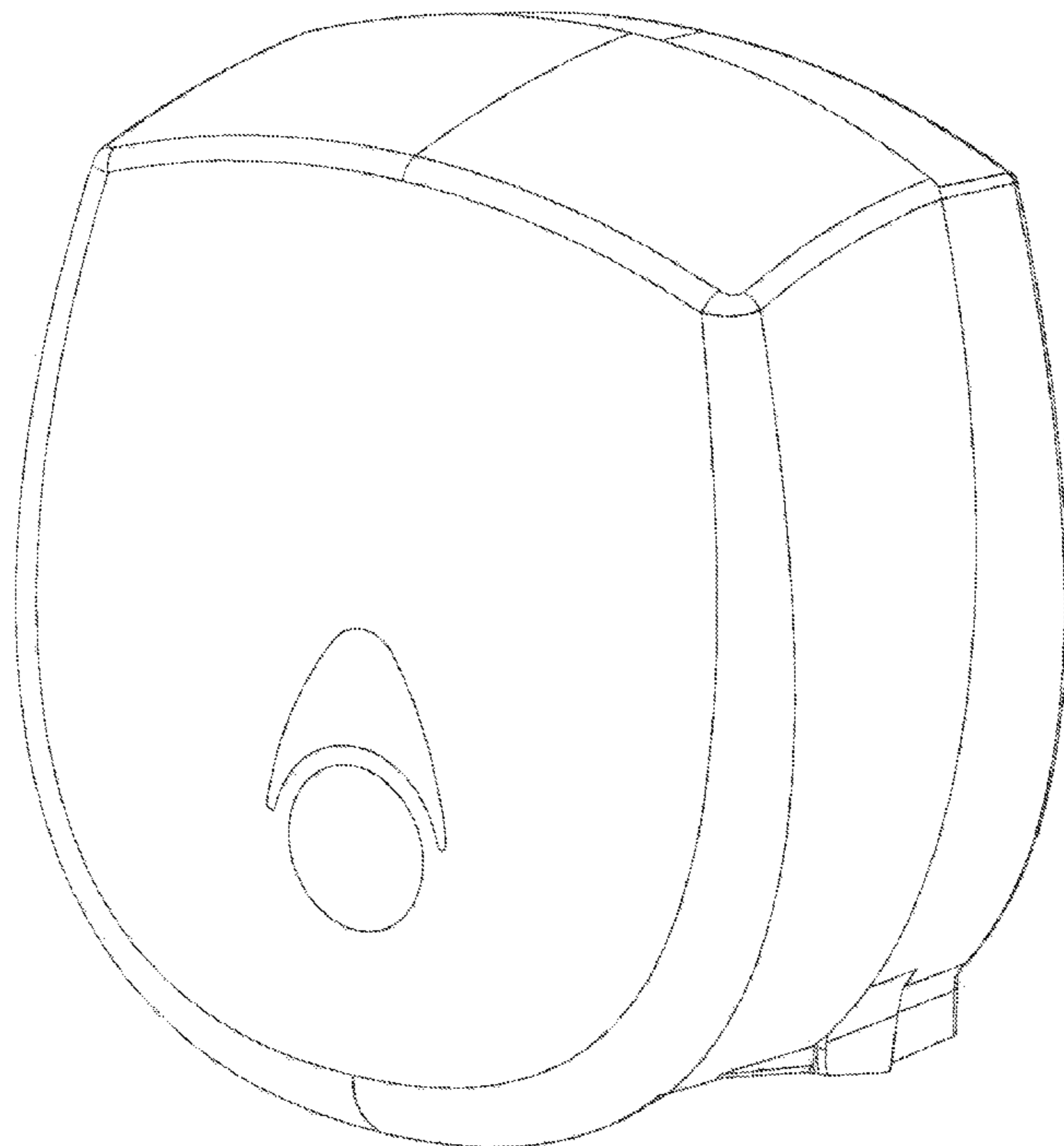
(57) **CLAIM**

I claim the ornamental design for a toilet paper dispenser, as shown and described.

**DESCRIPTION**

FIG. 1 is a front view of a toilet paper dispenser;  
FIG. 2 is a back view of a toilet paper dispenser;  
FIG. 3 is a top view of a toilet paper dispenser;  
FIG. 4 is a bottom view of a toilet paper dispenser;  
FIG. 5 is a left view of a toilet paper dispenser;  
FIG. 6 is a right view of a toilet paper dispenser; and,  
FIG. 7 is an isometric view of a toilet paper dispenser.  
The broken lines show portions of the design that form no part of the claimed design.

**1 Claim, 7 Drawing Sheets**



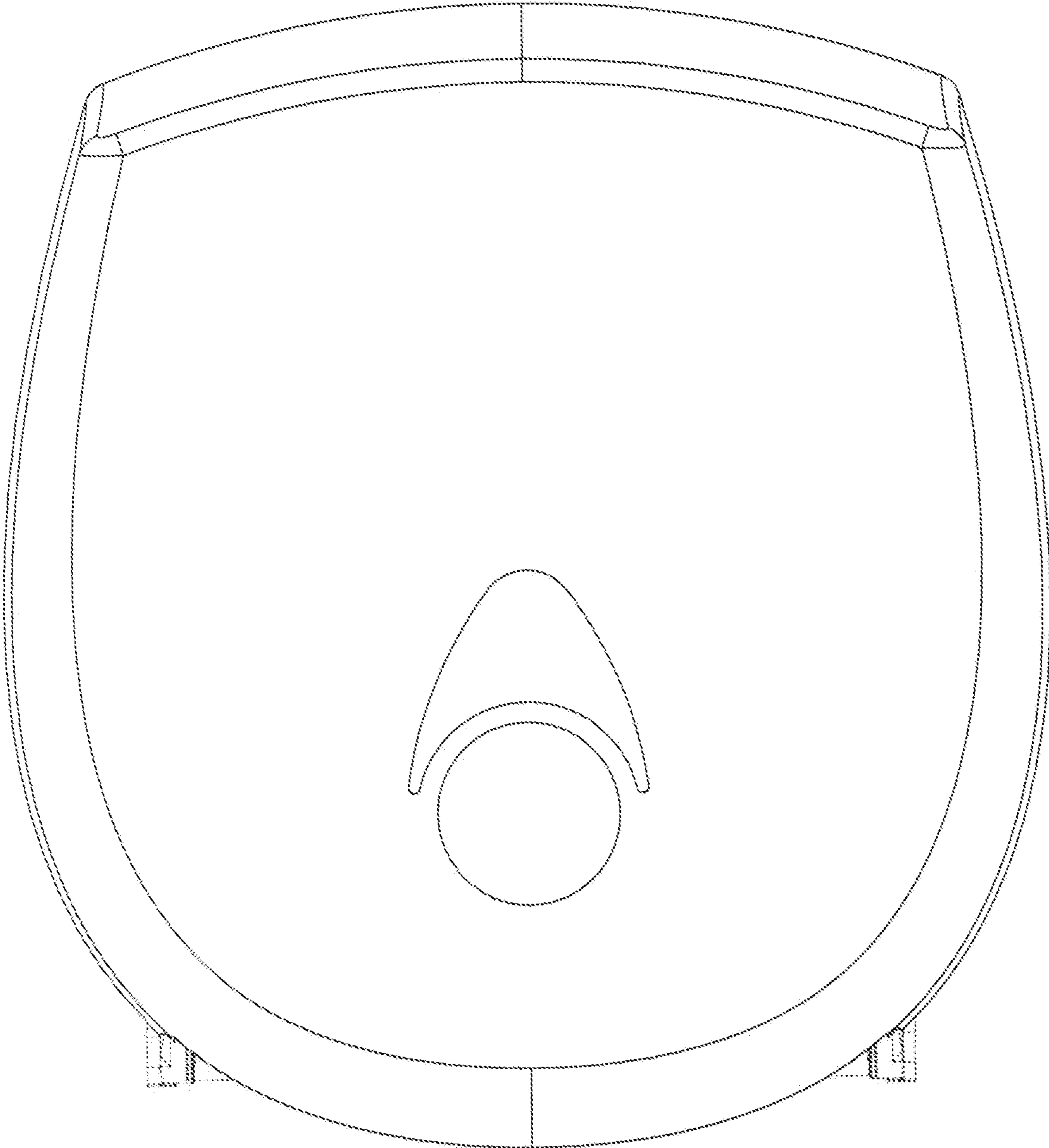


FIG. 1

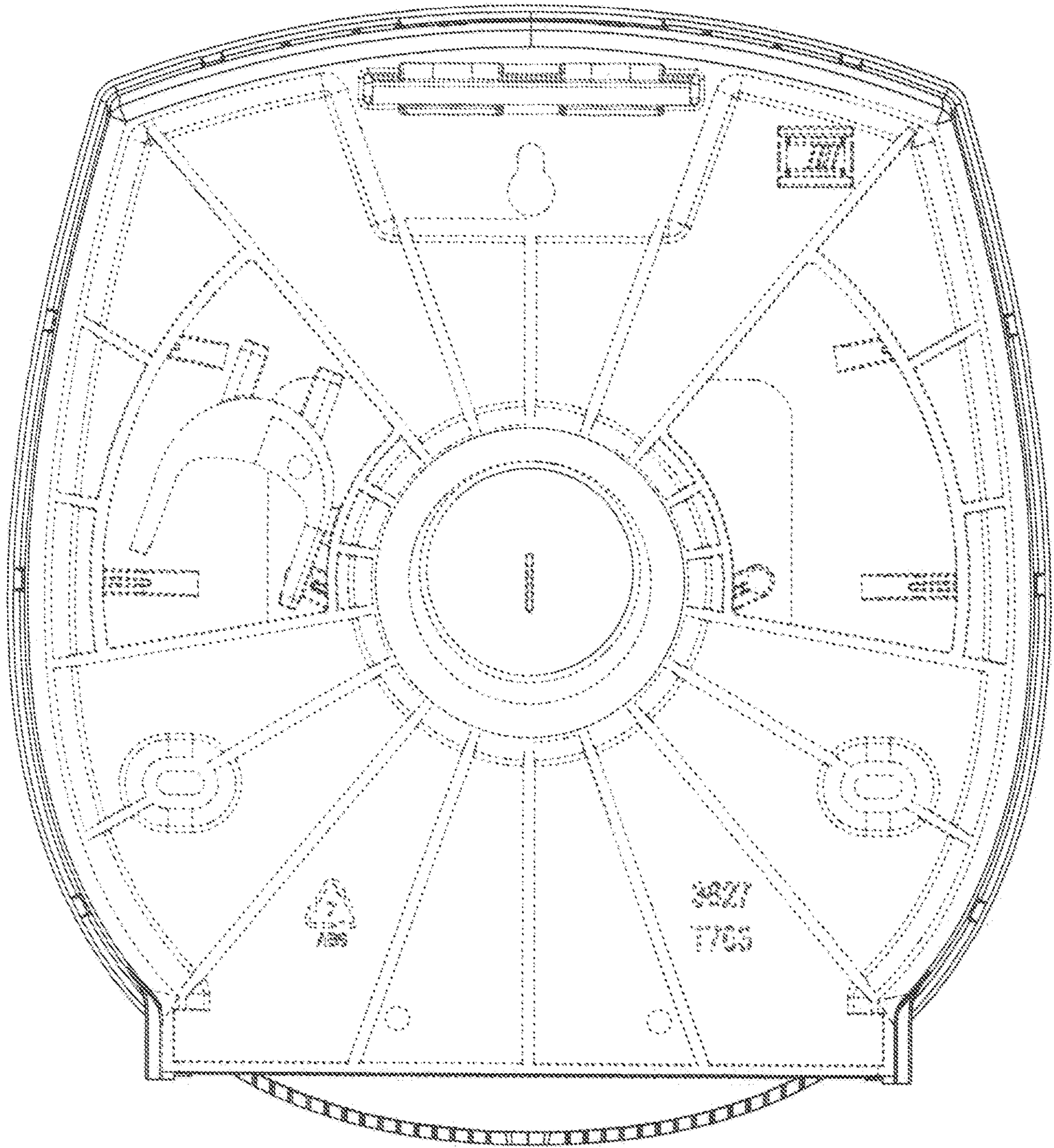


FIG. 2

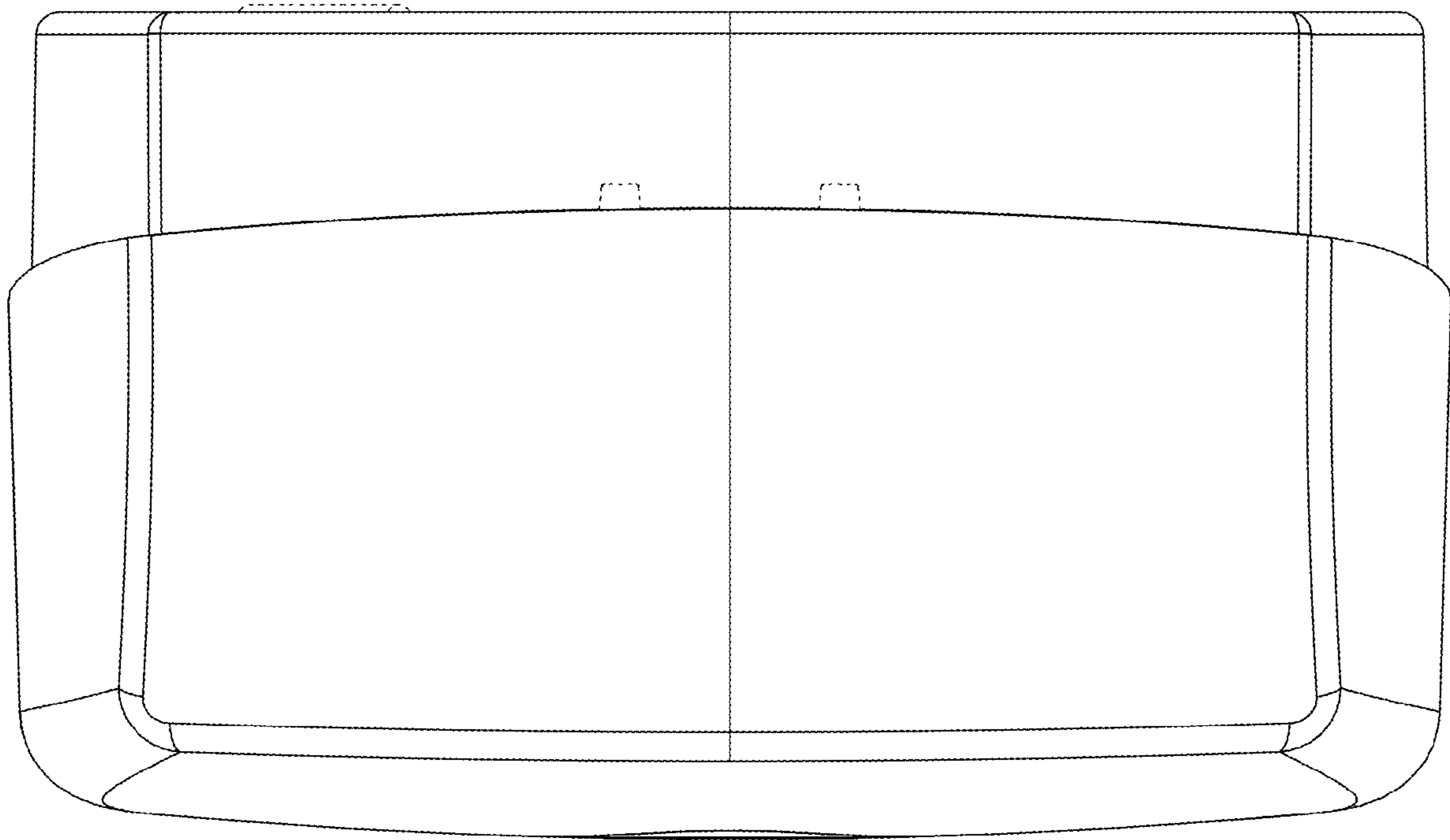


FIG. 3

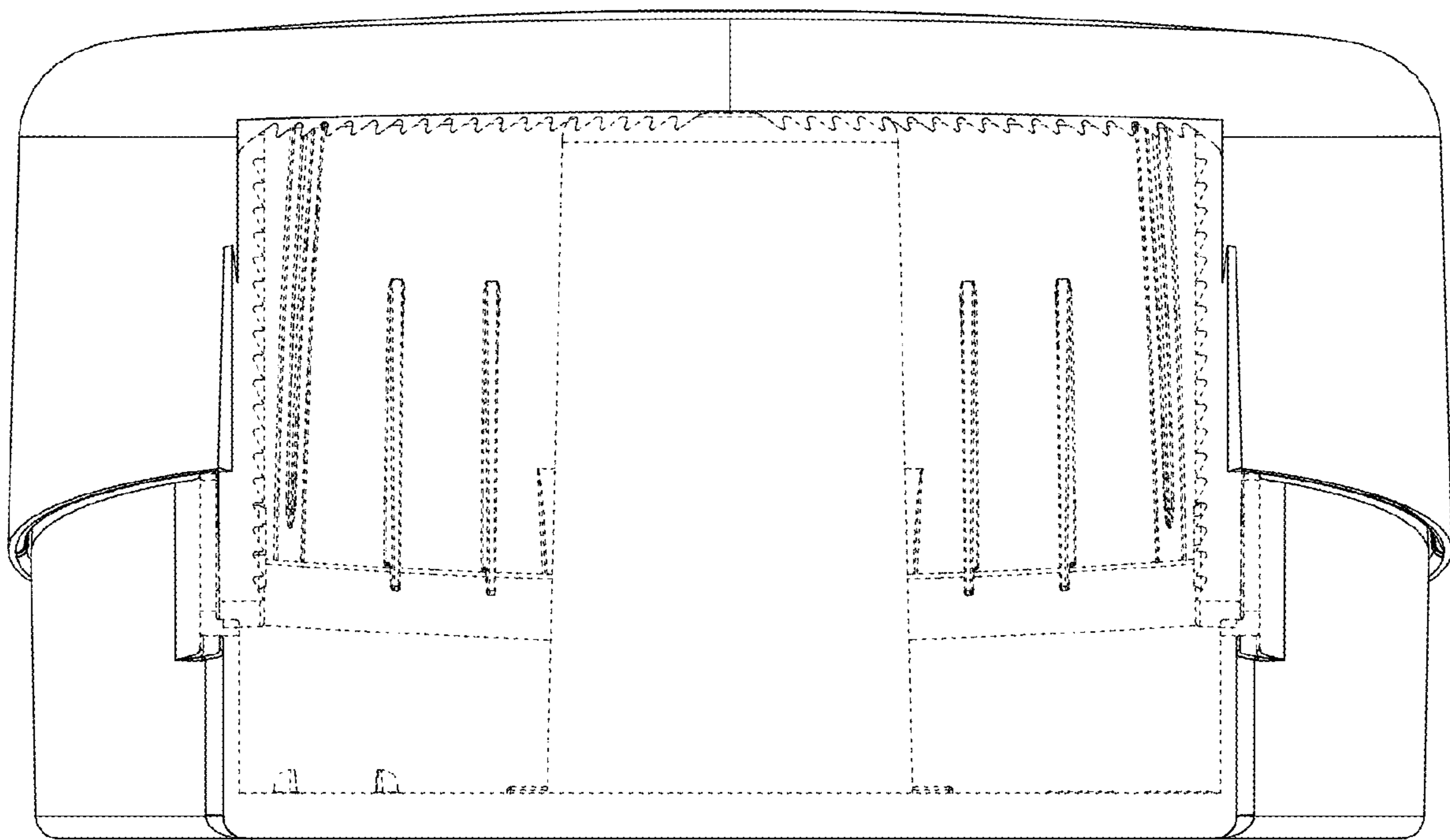


FIG. 4

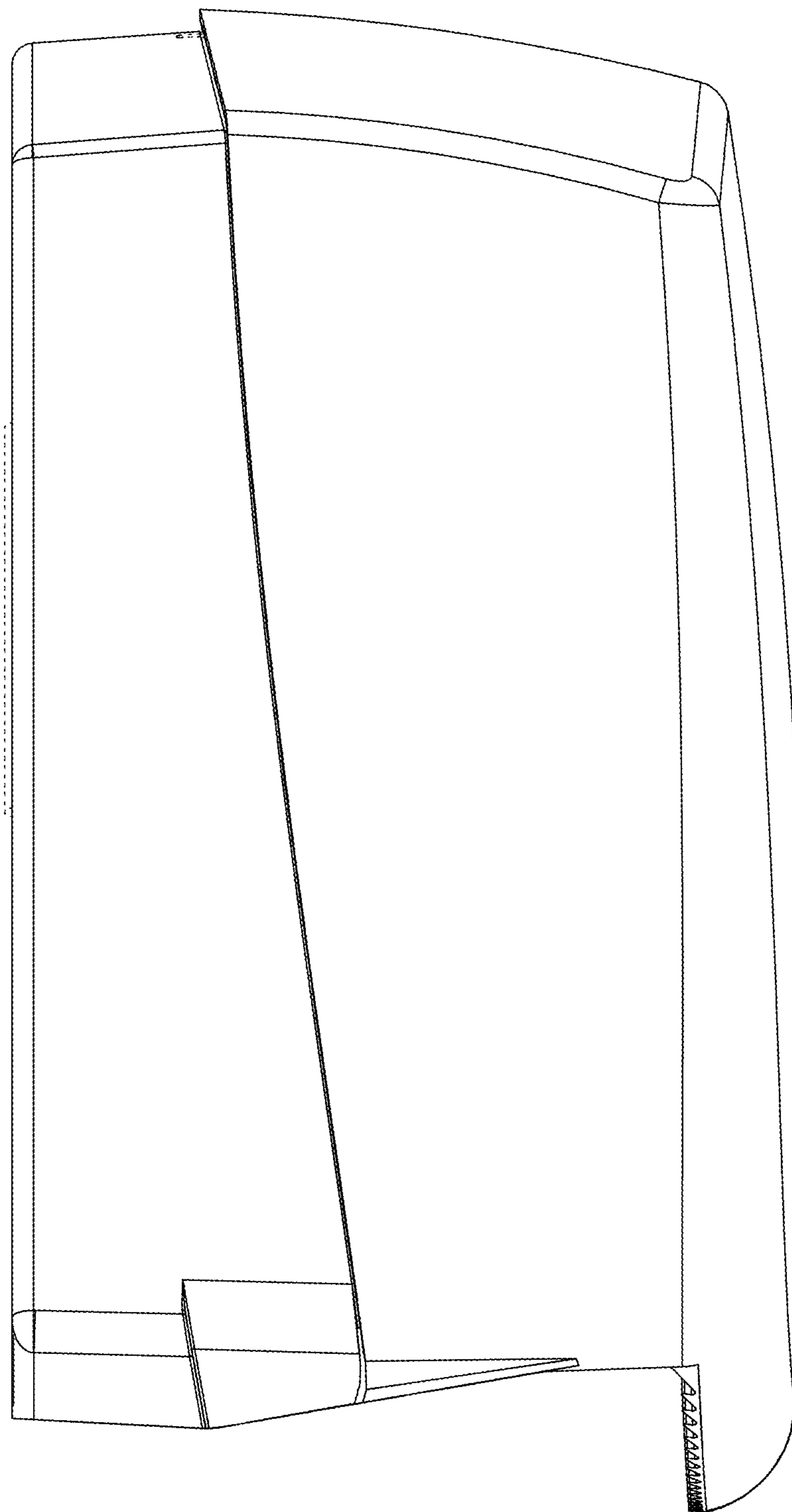


FIG. 5

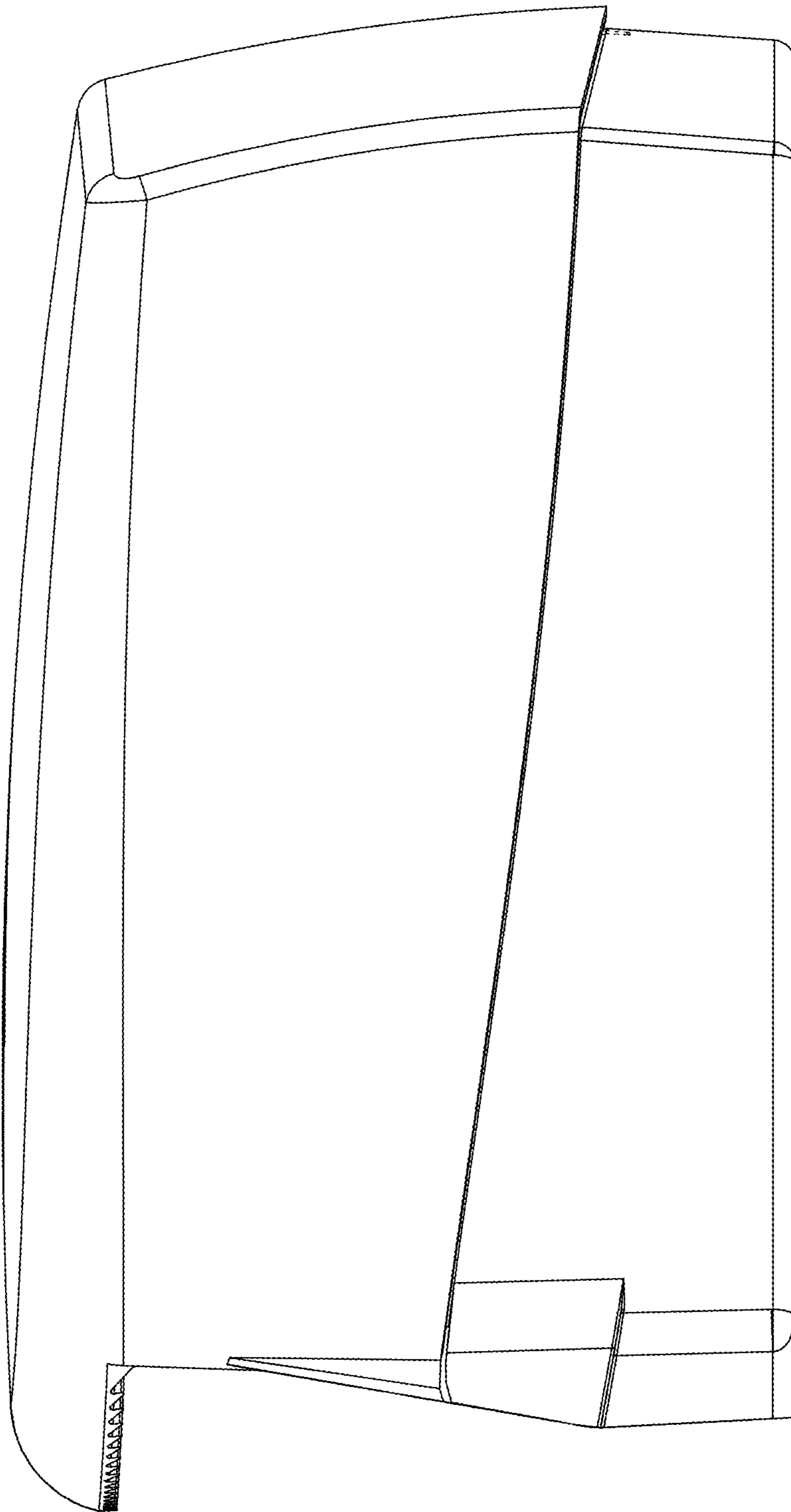


FIG. 6

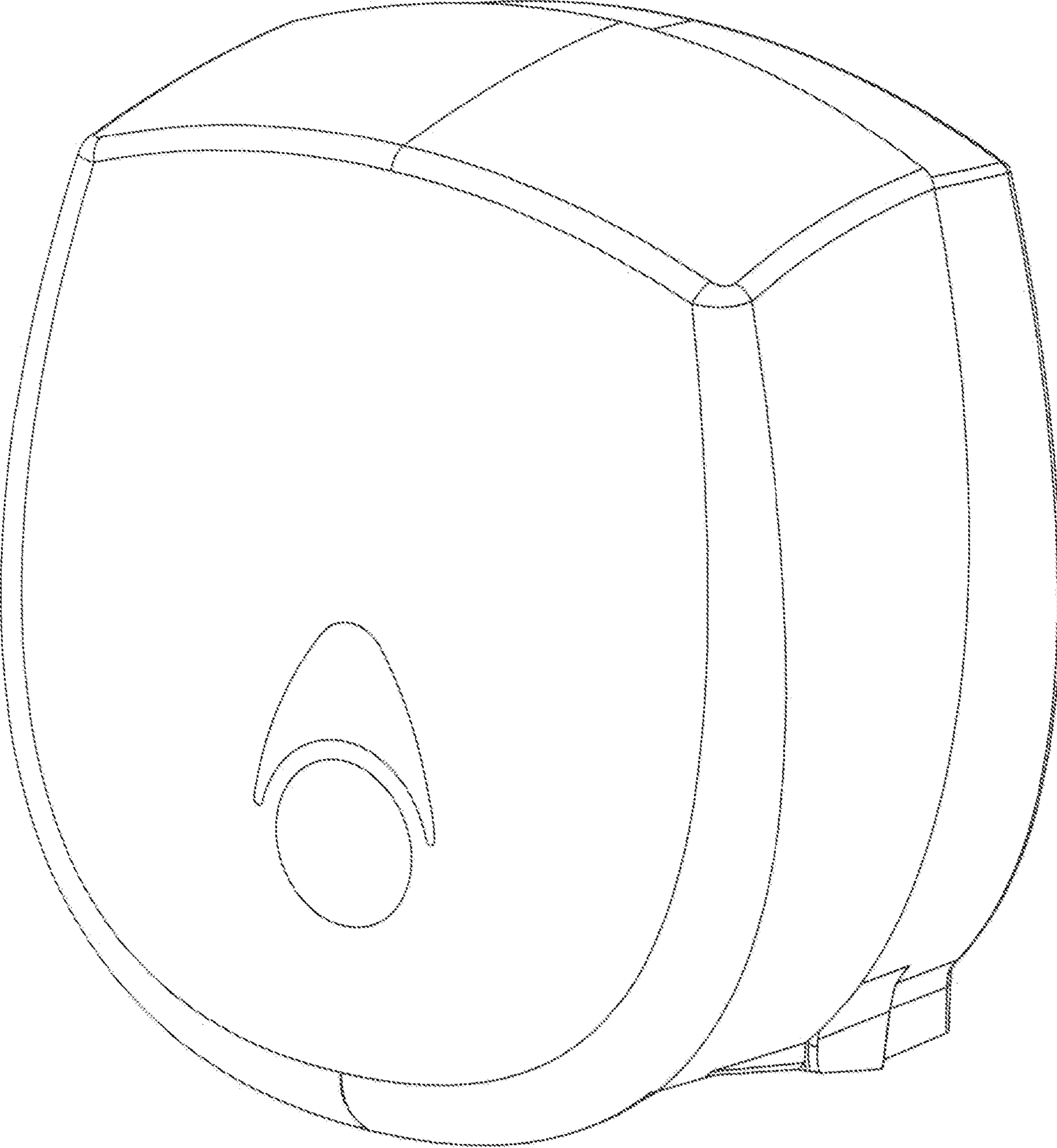


FIG. 7