



US00D900503S

(12) **United States Design Patent**  
**Hwang**

(10) **Patent No.:** **US D900,503 S**

(45) **Date of Patent:** **\*\* Nov. 3, 2020**

(54) **TRAVEL TRAY**

(71) Applicant: **Yeon Joo Hwang**, Seoul (KR)

(72) Inventor: **Yeon Joo Hwang**, Seoul (KR)

(\*\*) Term: **15 Years**

(21) Appl. No.: **29/696,054**

(22) Filed: **Jun. 25, 2019**

(30) **Foreign Application Priority Data**

May 9, 2019 (KR) ..... 30-2019-0021845

(51) **LOC (12) Cl.** ..... **06-06**

(52) **U.S. Cl.**

USPC ..... **D6/406.3**

(58) **Field of Classification Search**

USPC ..... D6/512, 685-686, 691, 704, 707.19,  
D6/406.1, 406.2, 406.3, 406.4, 406.5,  
D6/406.6; D7/545, 550.1, 552.2, 554.3

CPC .... A47G 23/06; A47G 23/08; A47G 23/0608;  
A47B 19/08; A47B 23/00; A47B 23/001

See application file for complete search history.

(56) **References Cited**

**U.S. PATENT DOCUMENTS**

D253,627 S *	12/1979	Adamson	.....	D19/92
D260,907 S *	9/1981	Giulie	.....	D19/92
D275,771 S *	10/1984	Evans	.....	D18/49
4,770,107 A *	9/1988	Miller	.....	B60N 3/004 108/135
D348,904 S *	7/1994	Linder	.....	D19/86
D373,336 S *	9/1996	Classen	.....	D12/133
6,189,705 B1 *	2/2001	Saylor	.....	B42F 7/12 211/11
D473,072 S *	4/2003	Seeley	.....	D14/447
D505,454 S *	5/2005	Killinger	.....	D19/92
D522,059 S *	5/2006	Killinger	.....	D19/92

D526,358 S *	8/2006	Killinger	.....	D19/92
D550,477 S *	9/2007	Probst	.....	D6/406.5
D573,654 S *	7/2008	Hardy	.....	D19/92
D598,024 S *	8/2009	Scott	.....	D14/432
D614,915 S *	5/2010	Schnitman	.....	D7/409
D635,192 S *	3/2011	Chuang	.....	D19/92
D655,989 S *	3/2012	Nelms	.....	D7/698
D679,331 S *	4/2013	Stravitz	.....	D19/92
D739,602 S *	9/2015	Karl	.....	D27/194
D741,105 S *	10/2015	Ryan	.....	D7/354
D780,848 S *	3/2017	Greenspon	.....	D19/92
D781,062 S *	3/2017	Probst	.....	D6/406.5
D785,361 S *	5/2017	Salisbury	.....	D6/406.5
D823,240 S *	7/2018	Zhang	.....	D13/103
D887,165 S *	6/2020	Sullins	.....	D6/406.3
2019/0142154 A1 *	5/2019	Lin	.....	A47B 3/10 108/38
2020/0046115 A1 *	2/2020	Thorpe	.....	A47B 3/10

\* cited by examiner

*Primary Examiner* — Kelley A Donnelly

(74) *Attorney, Agent, or Firm* — John K. Park; Park Law Firm

(57) **CLAIM**

The ornamental design for a travel tray, as shown and described.

**DESCRIPTION**

FIG. 1 is a perspective view of travel tray showing my new design;  
FIG. 2 is a front plan view thereof;  
FIG. 3 is a rear plan view thereof;  
FIG. 4 is a left-side plan view thereof;  
FIG. 5 is a right-side plan view thereof;  
FIG. 6 is a top plan view thereof; and,  
FIG. 7 is a bottom plan view thereof.  
The broken line showing environment is for illustrative purposes only and forms no part of the claimed design.

**1 Claim, 4 Drawing Sheets**

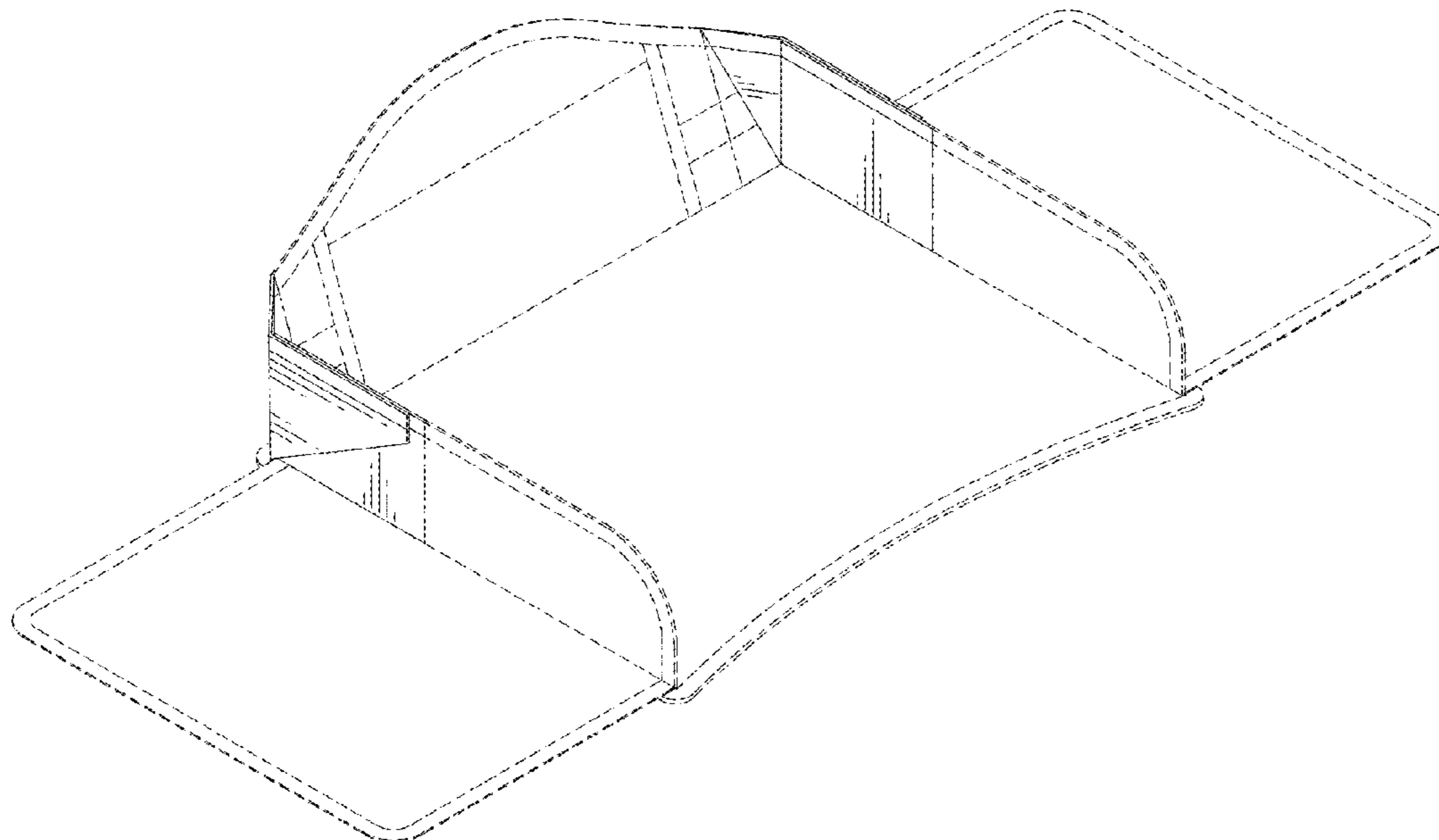


FIG. 1

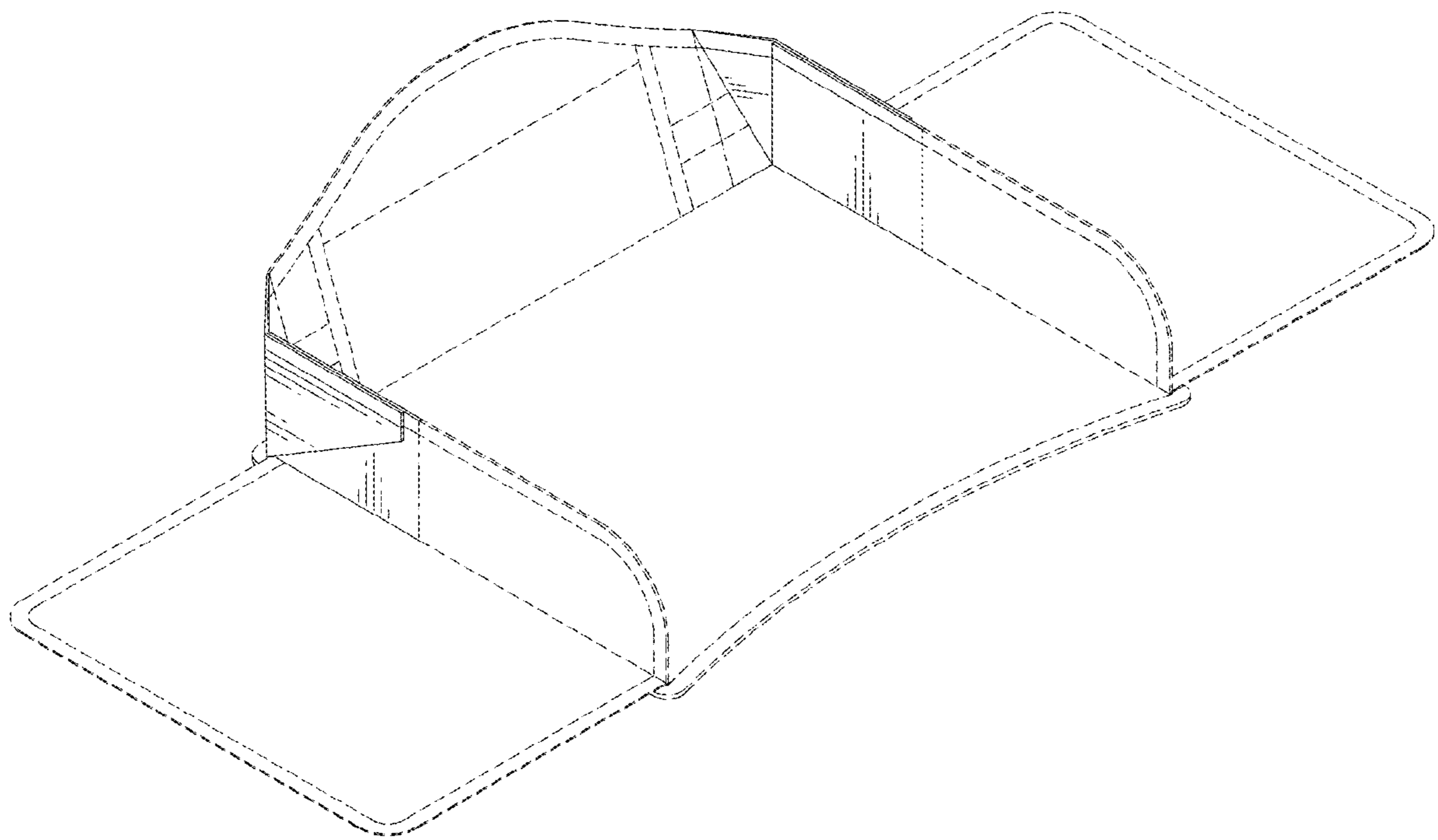


FIG. 2

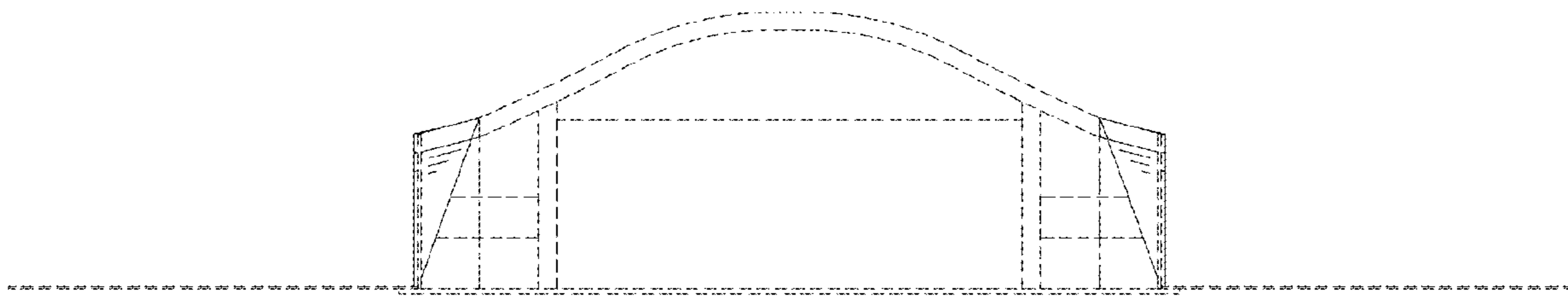


FIG. 3

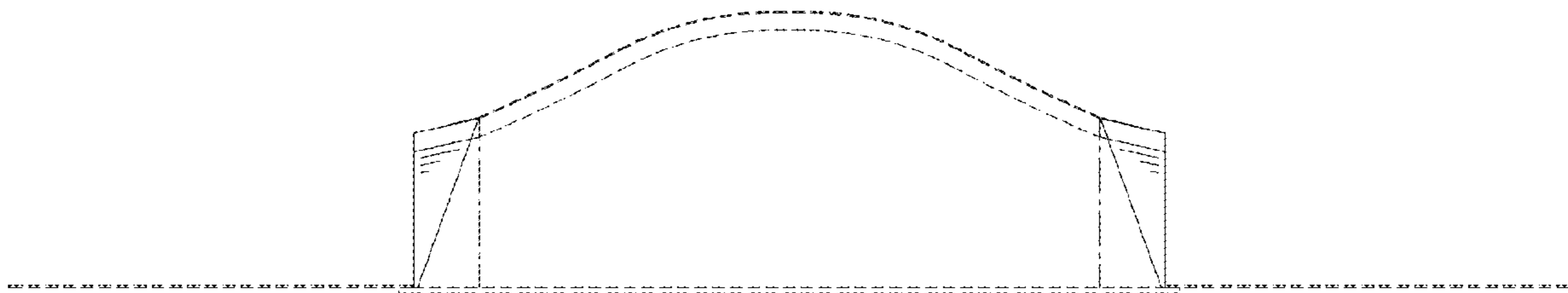


FIG. 4

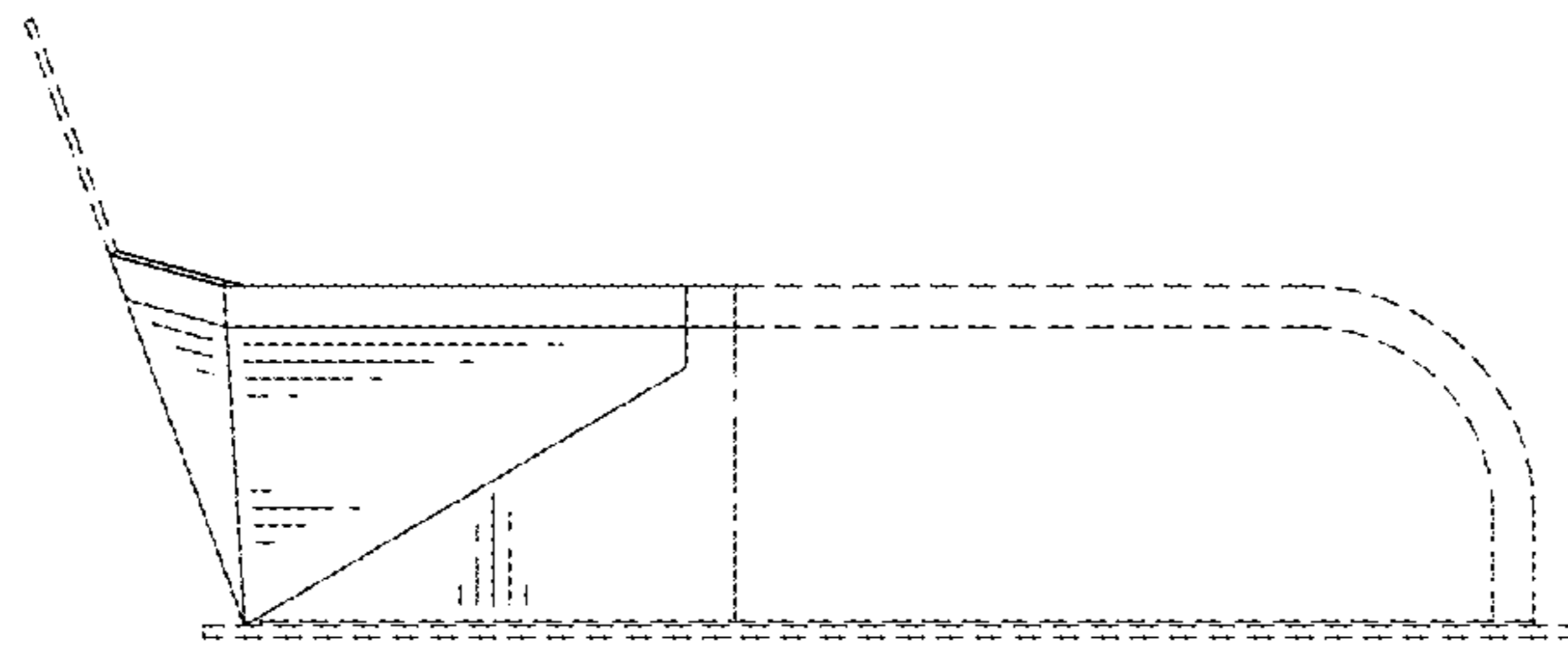


FIG. 5

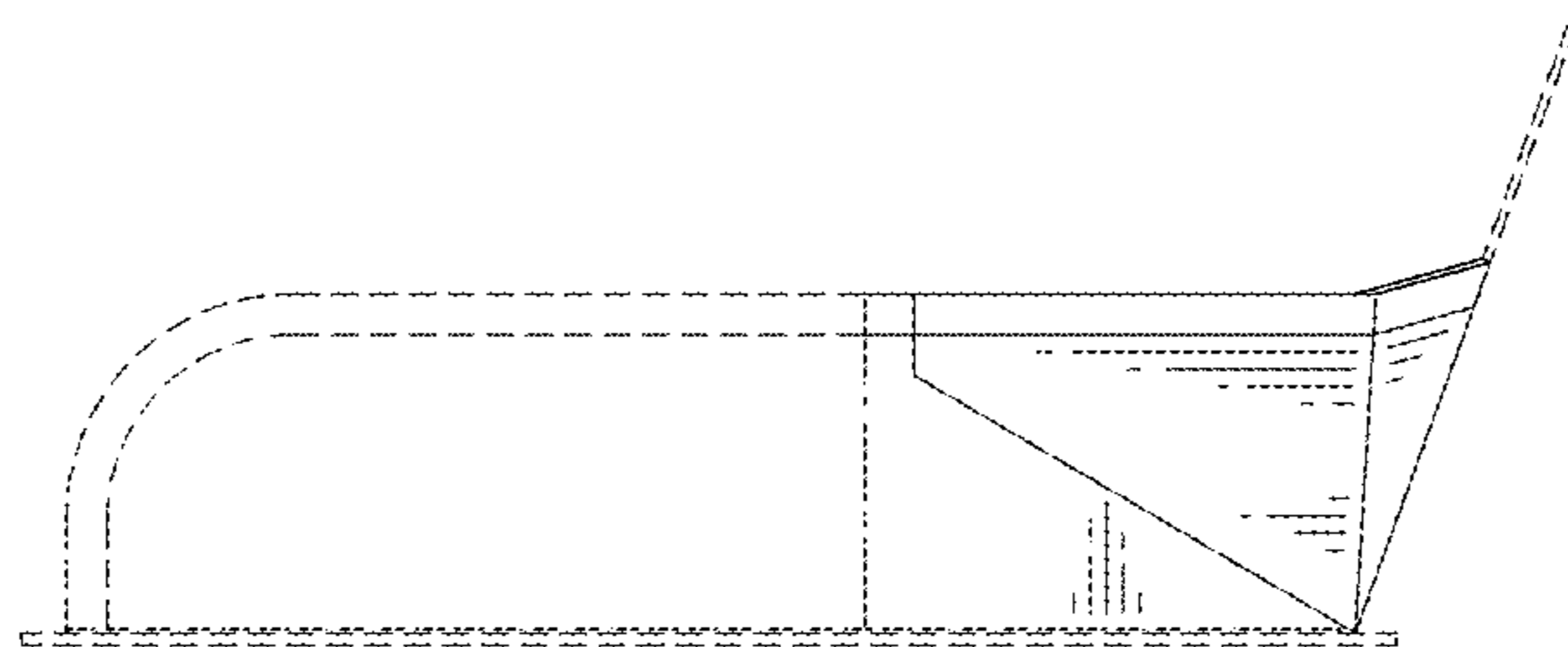


FIG. 6

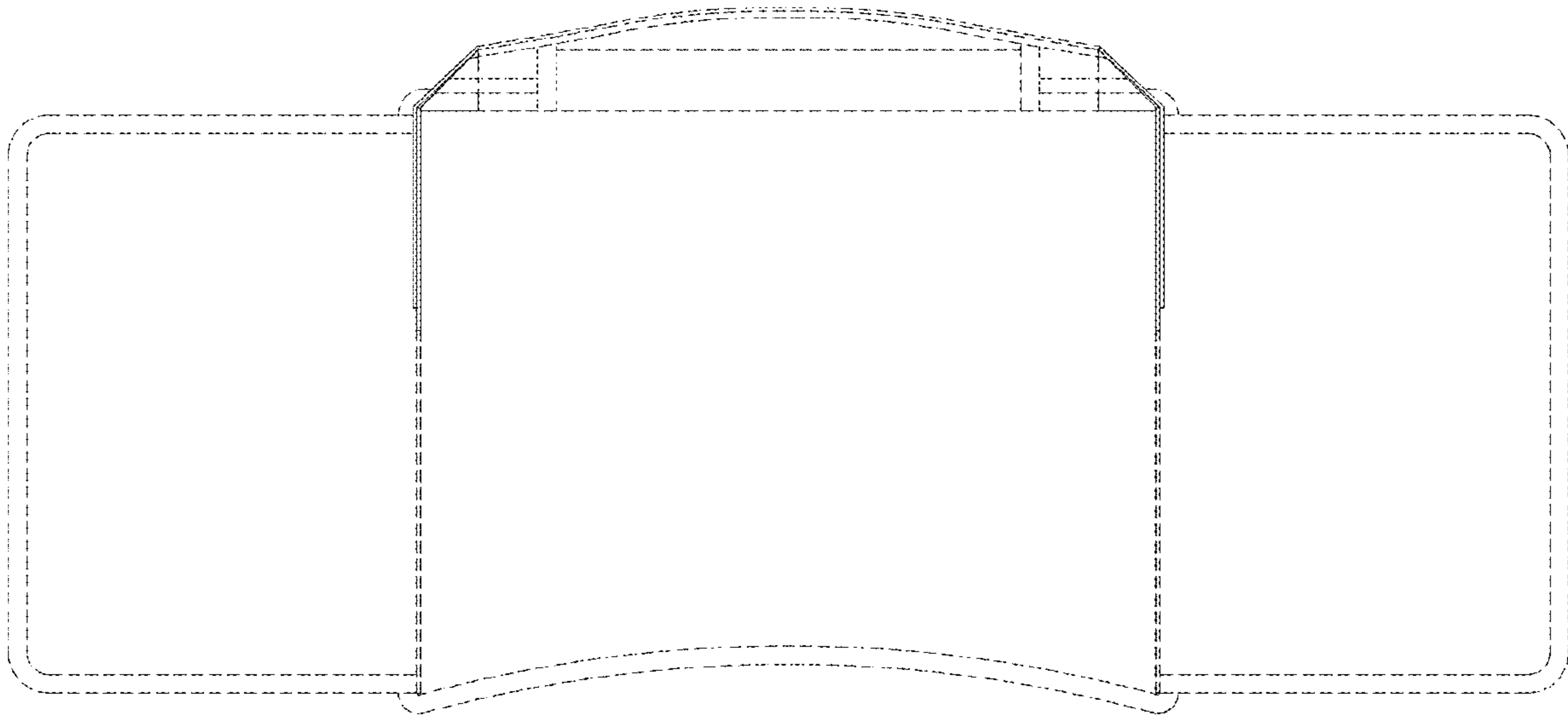


FIG. 7

