



US00D900502S

(12) **United States Design Patent** (10) **Patent No.:** **US D900,502 S**  
**Yoo et al.** (45) **Date of Patent:** **\*\* Nov. 3, 2020**

(54) **INFANT BED** 3,999,801 A \* 12/1976 Walters ..... A47C 3/12  
297/451.4  
(71) Applicant: **LG ELECTRONICS INC.**, Seoul D295,276 S \* 4/1988 Brown ..... D12/128  
(KR) D336,570 S \* 6/1993 Blake ..... D6/333  
D526,133 S \* 8/2006 Song ..... D6/331  
(72) Inventors: **Taewoo Yoo**, Seoul (KR); **Hyojin Won**, 7,575,276 B1 \* 8/2009 Henry ..... B60N 2/2821  
Seoul (KR); **Yeojeong Choi**, Seoul 297/256.12  
(KR); **Jahee Sohn**, Seoul (KR); **Yeonju** D616,665 S \* 6/2010 Dumais ..... D6/390  
**Cho**, Seoul (KR); **Hyungki Kim**, Seoul 8,220,089 B1 \* 7/2012 Diefenbach ..... A47D 9/02  
(KR) 5/655  
8,893,327 B1 \* 11/2014 Muhammad ..... A47D 9/00  
5/101  
(73) Assignee: **LG ELECTRONICS INC.**, Seoul 10,112,509 B1 \* 10/2018 Robertson ..... B60N 2/5678  
(KR) D879,317 S \* 3/2020 Ullman ..... D24/216  
2020/0146462 A1 \* 5/2020 Hasan ..... A47D 1/10

(\*\*) Term: **15 Years**

(21) Appl. No.: **29/719,435**

(22) Filed: **Jan. 3, 2020**

(30) **Foreign Application Priority Data**

Jul. 5, 2019 (KR) ..... 30-2019-0032428

(51) **LOC (12) Cl.** ..... **06-02**

(52) **U.S. Cl.**  
USPC ..... **D6/390**

(58) **Field of Classification Search**  
USPC ..... D6/331, 390, 391, 718.26  
CPC ..... A47D 7/00; A47D 7/002; A47D 7/005;  
A47D 7/01; A47D 7/02; A47D 9/00;  
A47D 9/005; A47D 13/06; A47D 13/061;  
A47D 13/066; A47D 13/068; A47D  
11/00; A47D 11/005; A47D 9/02  
See application file for complete search history.

(56) **References Cited**

**U.S. PATENT DOCUMENTS**

2,234,515 A \* 3/1941 Carrel ..... A47D 9/00  
5/97  
2,794,190 A \* 6/1957 Kellenbarger ..... A47D 9/02  
5/103

\* cited by examiner

*Primary Examiner* — Cathron C Brooks

(74) *Attorney, Agent, or Firm* — Birch, Stewart, Kolasch & Birch, LLP

(57) **CLAIM**

The ornamental design for an infant bed, as shown and described.

**DESCRIPTION**

FIG. 1 is a front perspective view of the infant bed showing our new design;  
FIG. 2 is a front view thereof;  
FIG. 3 is a rear view thereof;  
FIG. 4 is a left side view thereof;  
FIG. 5 is a right side view thereof;  
FIG. 6 is a top view thereof;  
FIG. 7 is a bottom view thereof; and,  
FIG. 8 is another front perspective view thereof, but with the legs removed, and with alternate length legs shown in broken lines.

The broken lines depict portions of the infant bed that form no part of the claimed design.

**1 Claim, 8 Drawing Sheets**

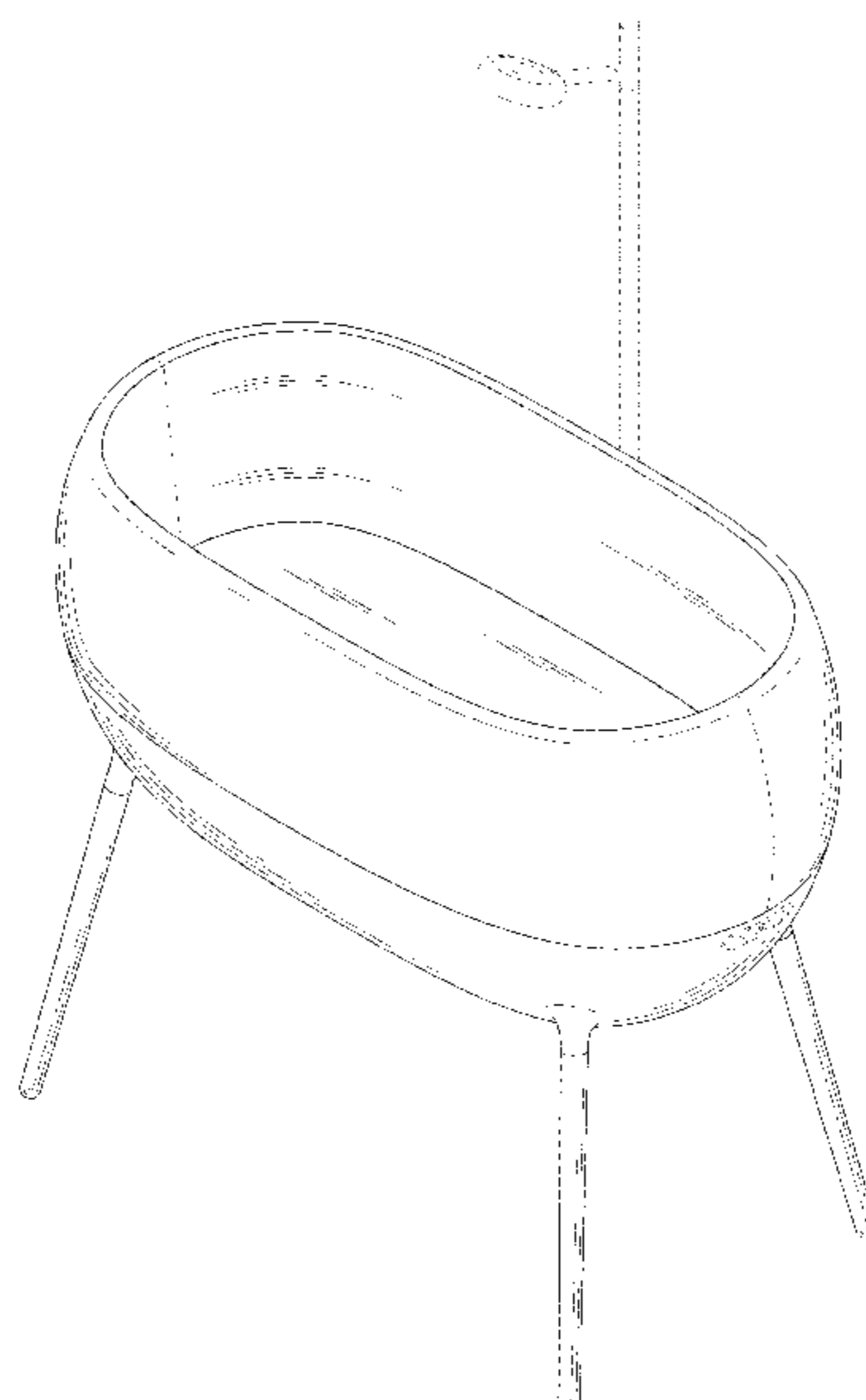


FIG. 1

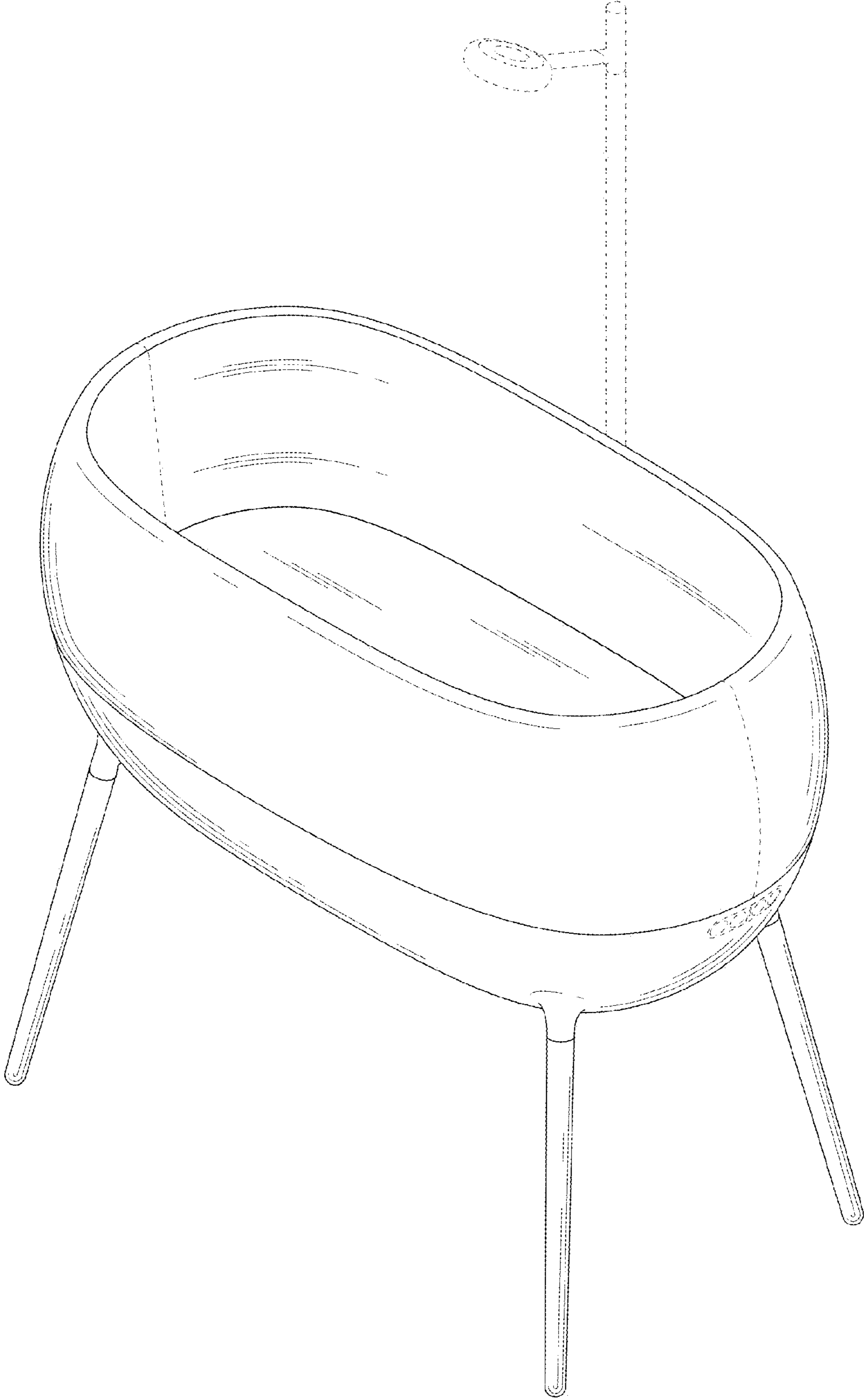


FIG. 2

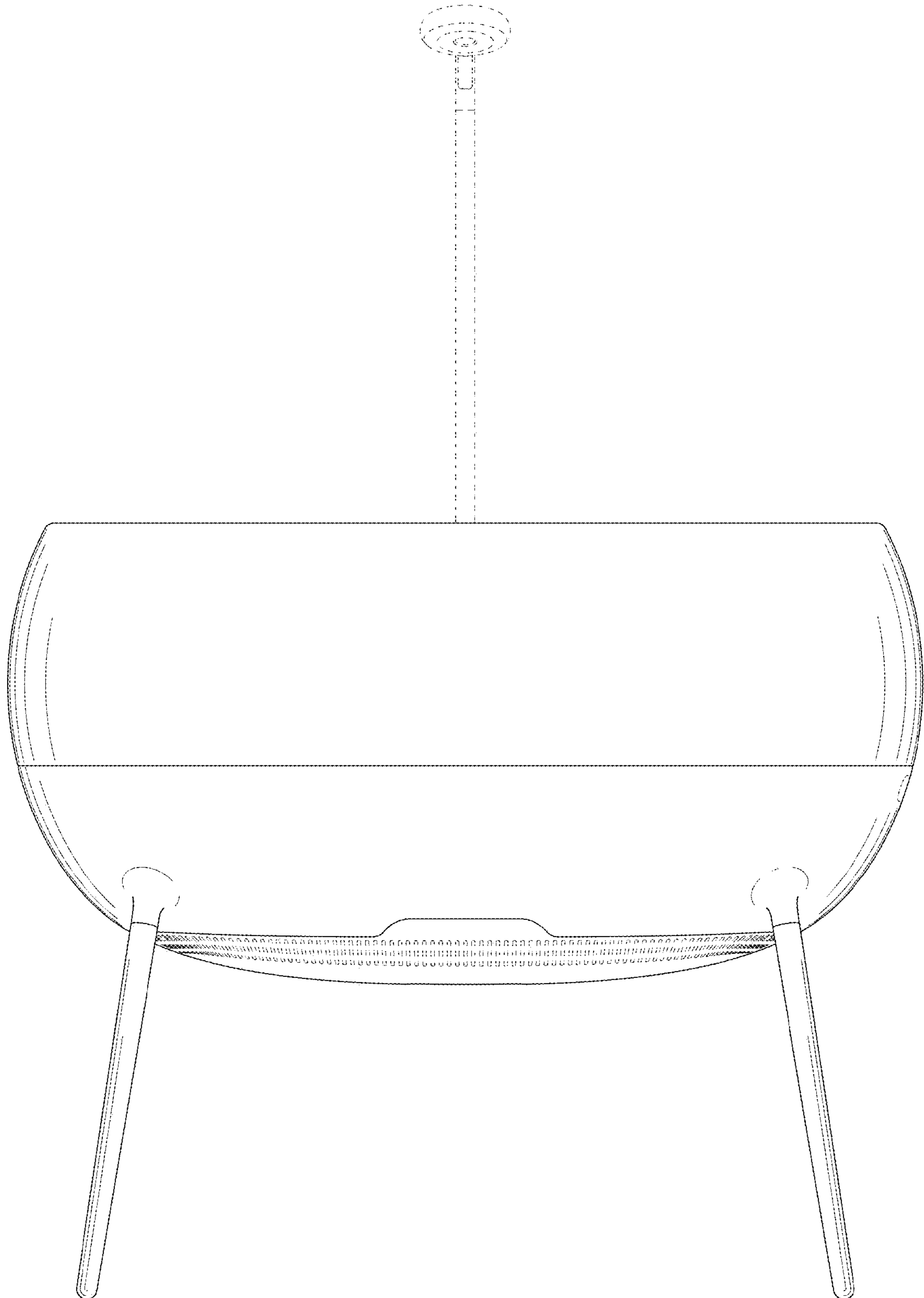


FIG. 3

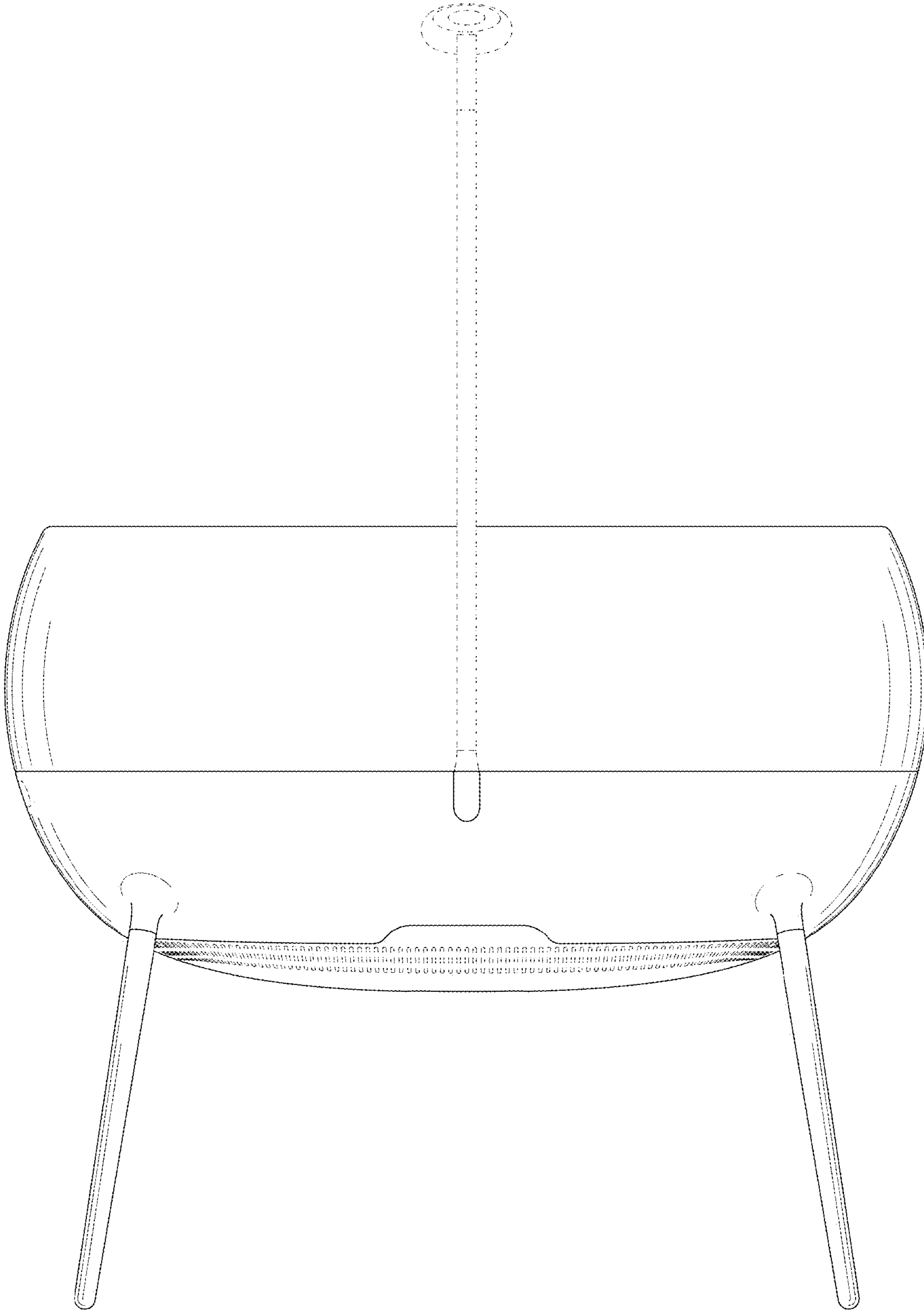


FIG. 4

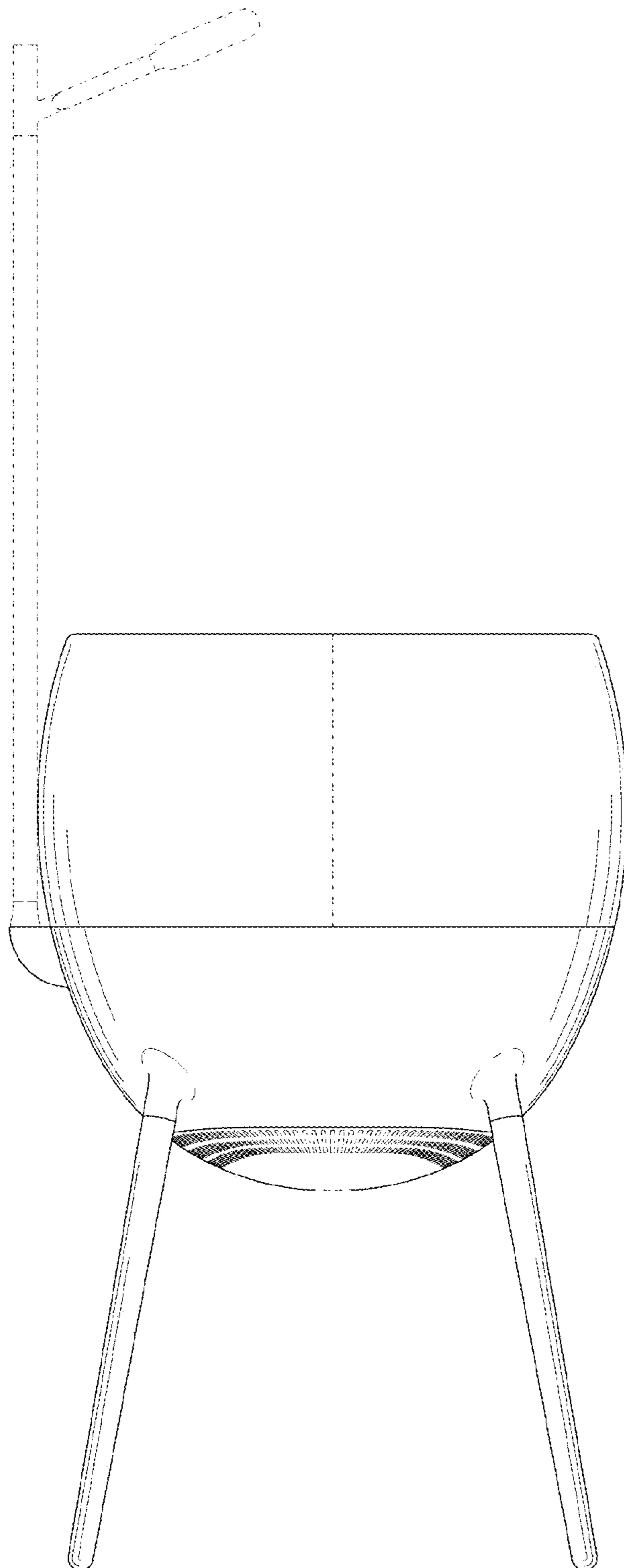


FIG. 5

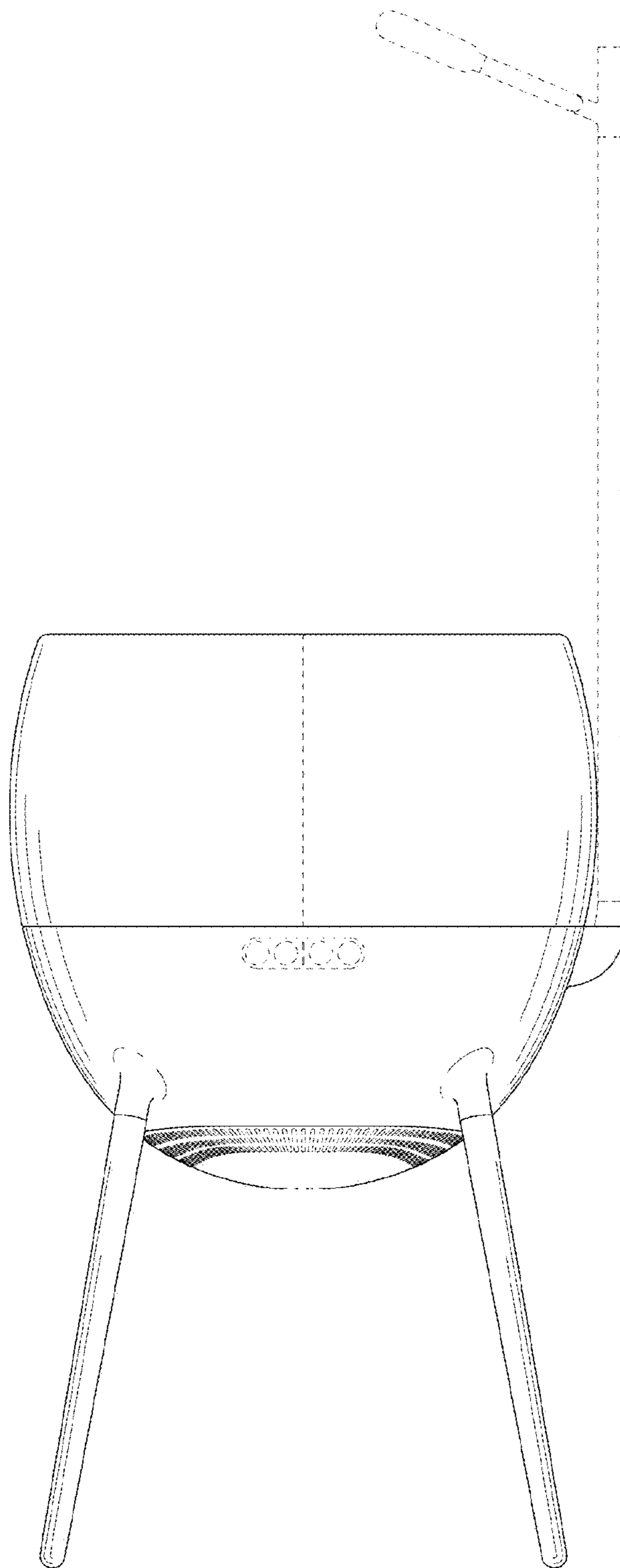


FIG. 6

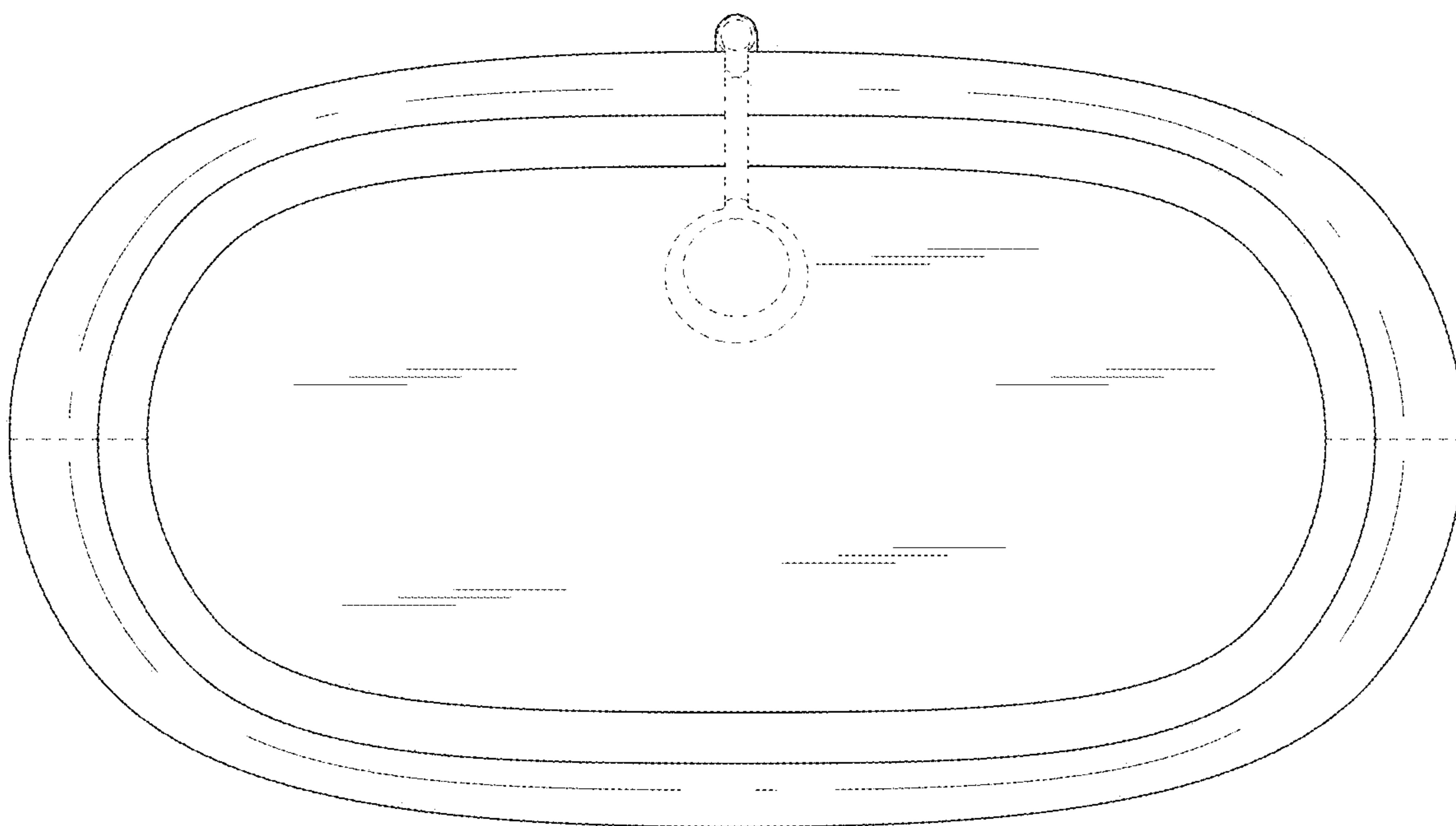


FIG. 7

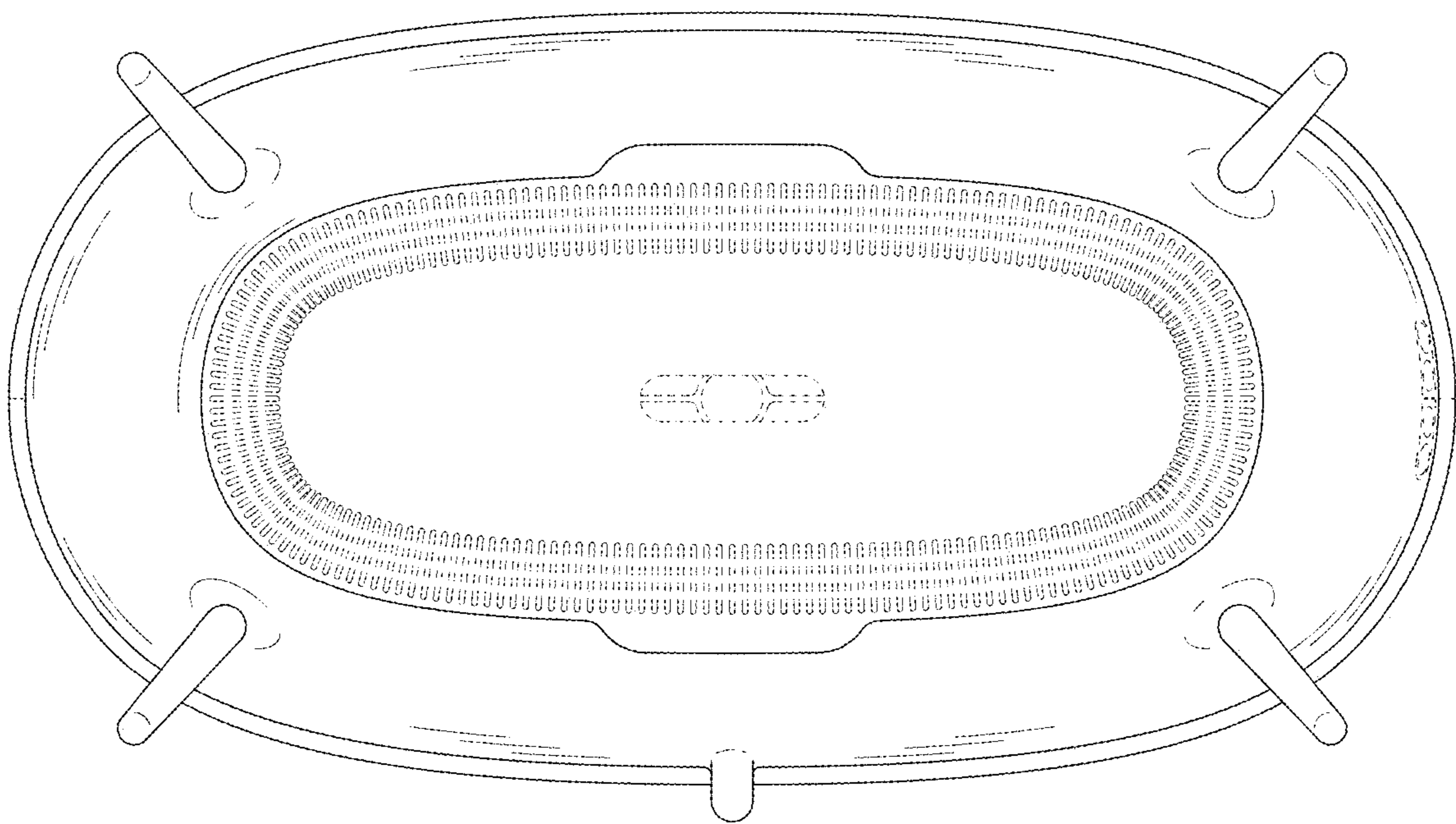




FIG. 8

