

US00D900501S

(12) **United States Design Patent**
Hu

(10) **Patent No.:** **US D900,501 S**

(45) **Date of Patent:** **** Nov. 3, 2020**

(54) **PORTABLE CRIB**

(71) Applicant: **TINGTAO SUNVENO CO., LTD.**,
Qingdao, Shandong Province (CN)

(72) Inventor: **Lian Jun Hu**, Qingdao (CN)

(73) Assignee: **TINGTAO SUNVENO CO., LTD.**,
Qingdao (CN)

(**) Term: **15 Years**

(21) Appl. No.: **29/662,825**

(22) Filed: **Sep. 10, 2018**

(51) **LOC (12) Cl.** **06-02**

(52) **U.S. Cl.**
USPC **D6/390**

(58) **Field of Classification Search**
USPC ... D6/333, 388, 390, 391, 596, 601, 718.15,
D6/718.26; D30/118; D21/803, 809
CPC ... A47D 7/00; A47D 7/01; A47D 7/02; A47D
9/00; A47D 5/00; A47D 13/08; A47D
15/008; A47K 3/127; A47C 15/006;
A01K 1/0353; B63B 35/73; B63B 35/76;
B63B 35/78
See application file for complete search history.

(56) **References Cited**

U.S. PATENT DOCUMENTS

D514,852 S * 2/2006 Shinner D6/388
D666,843 S * 9/2012 Furuland D6/390

D673,789 S * 1/2013 Furuland D6/390
D673,790 S * 1/2013 Furuland D6/390
D673,791 S * 1/2013 Furuland D6/390
D814,824 S * 4/2018 Furuland D6/390
2013/0111661 A1 * 5/2013 Furuland A47D 7/01
5/93.1

* cited by examiner

Primary Examiner — Cathron C Brooks

(74) *Attorney, Agent, or Firm* — Alan D. Kamrath; Karin
L. Williams; Mayer & Williams PC

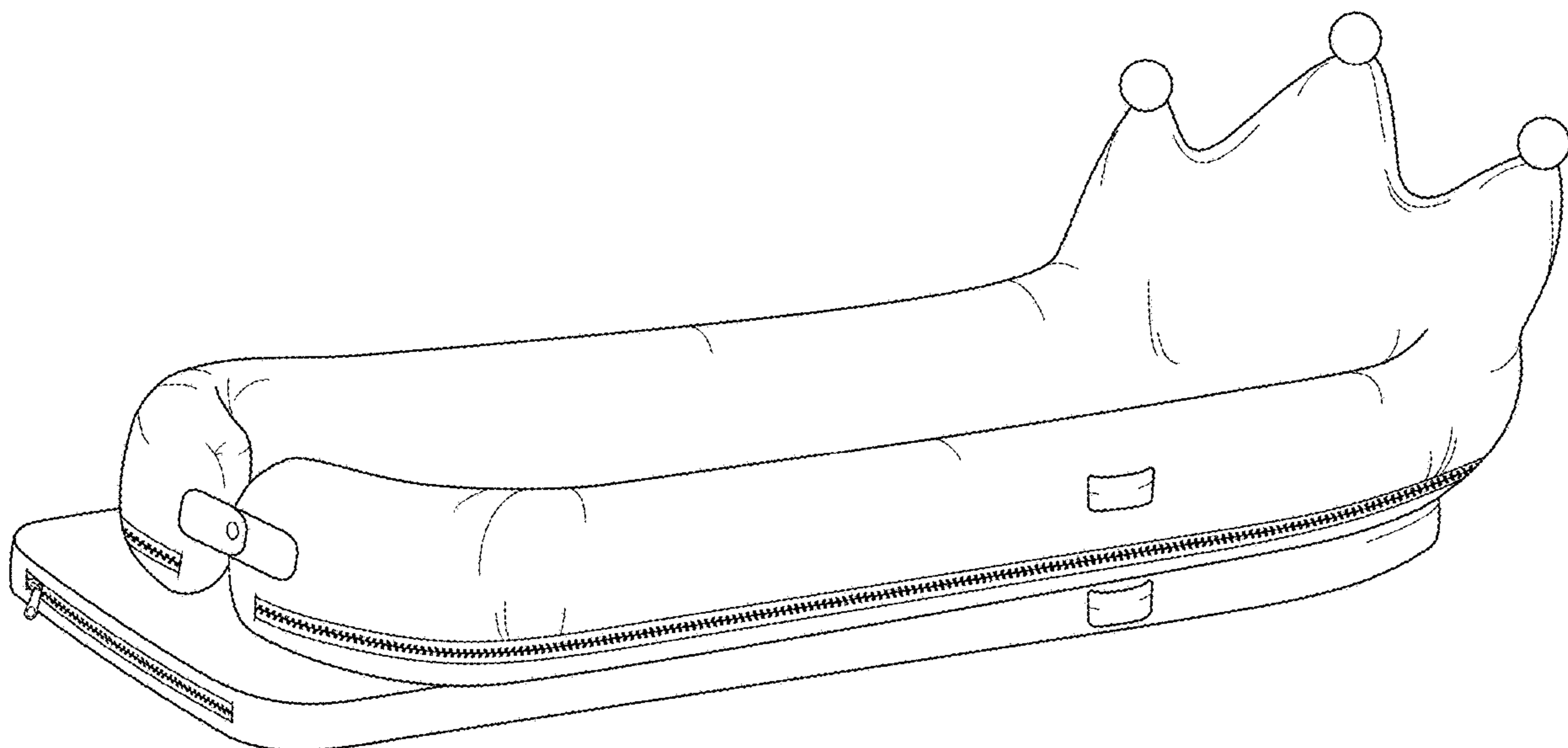
(57) **CLAIM**

The ornamental design for a portable crib, as shown and
described.

DESCRIPTION

FIG. 1 is a front perspective view of a portable crib showing
our new design;
FIG. 2 is a front view thereof;
FIG. 3 is a top plan view thereof;
FIG. 4 is a bottom plan view thereof;
FIG. 5 is a right side view thereof;
FIG. 6 is a left side view thereof; and,
FIG. 7 is a rear side view thereof.

1 Claim, 7 Drawing Sheets



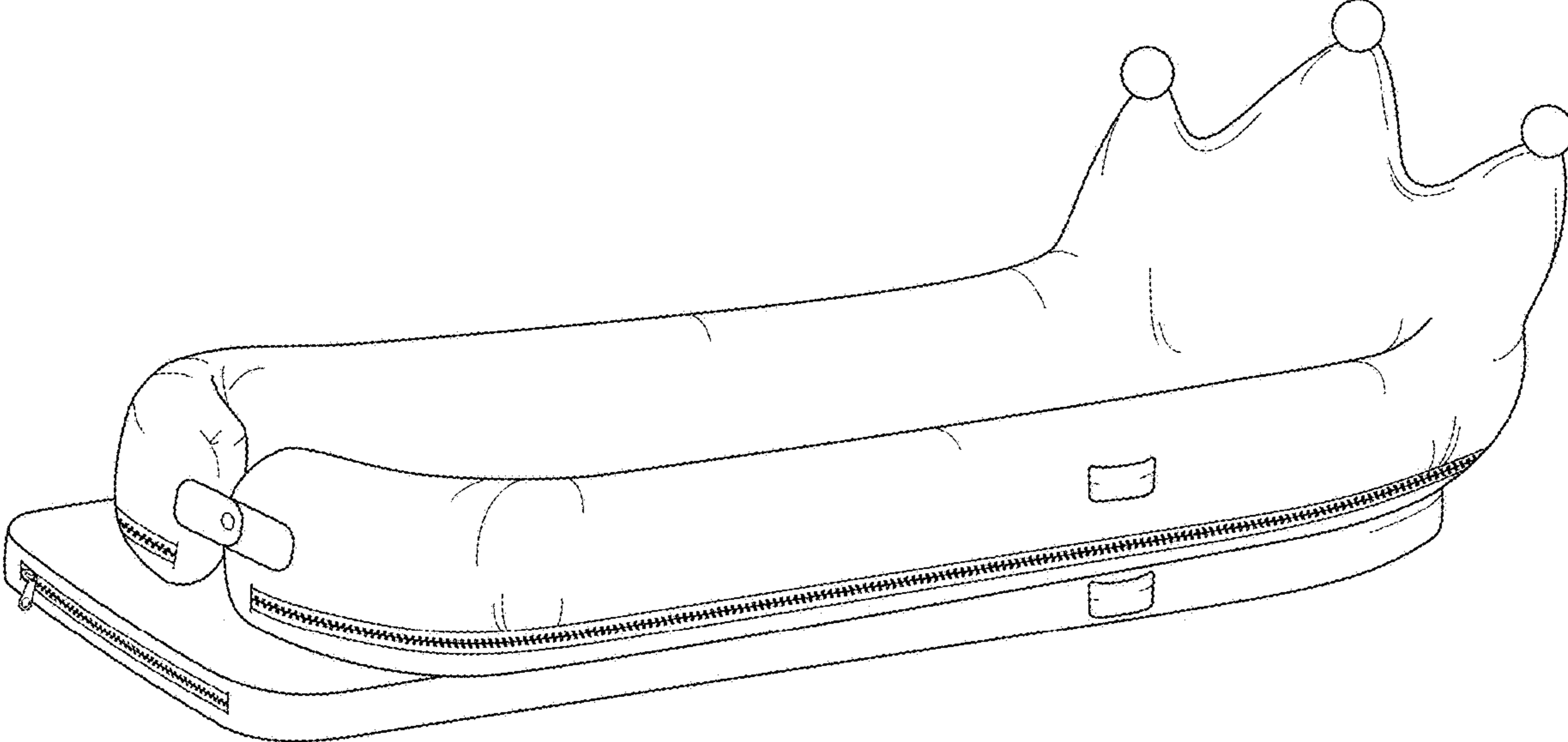


FIG.1

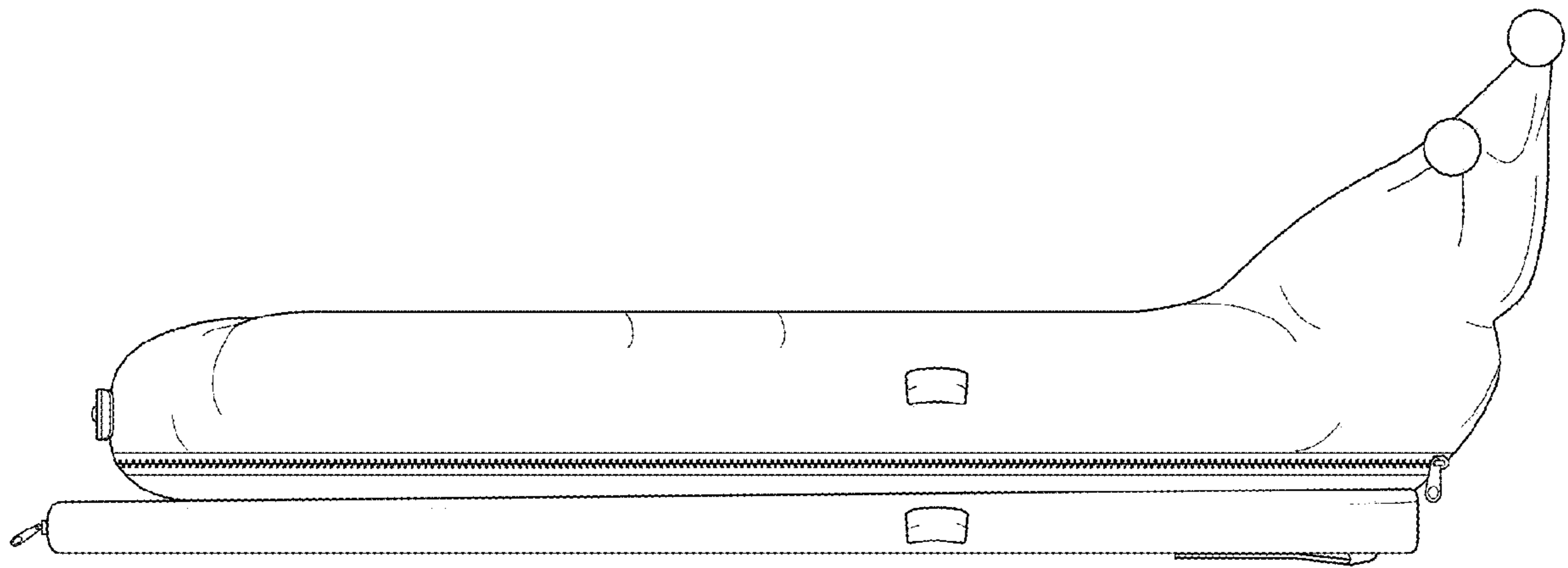


FIG.2

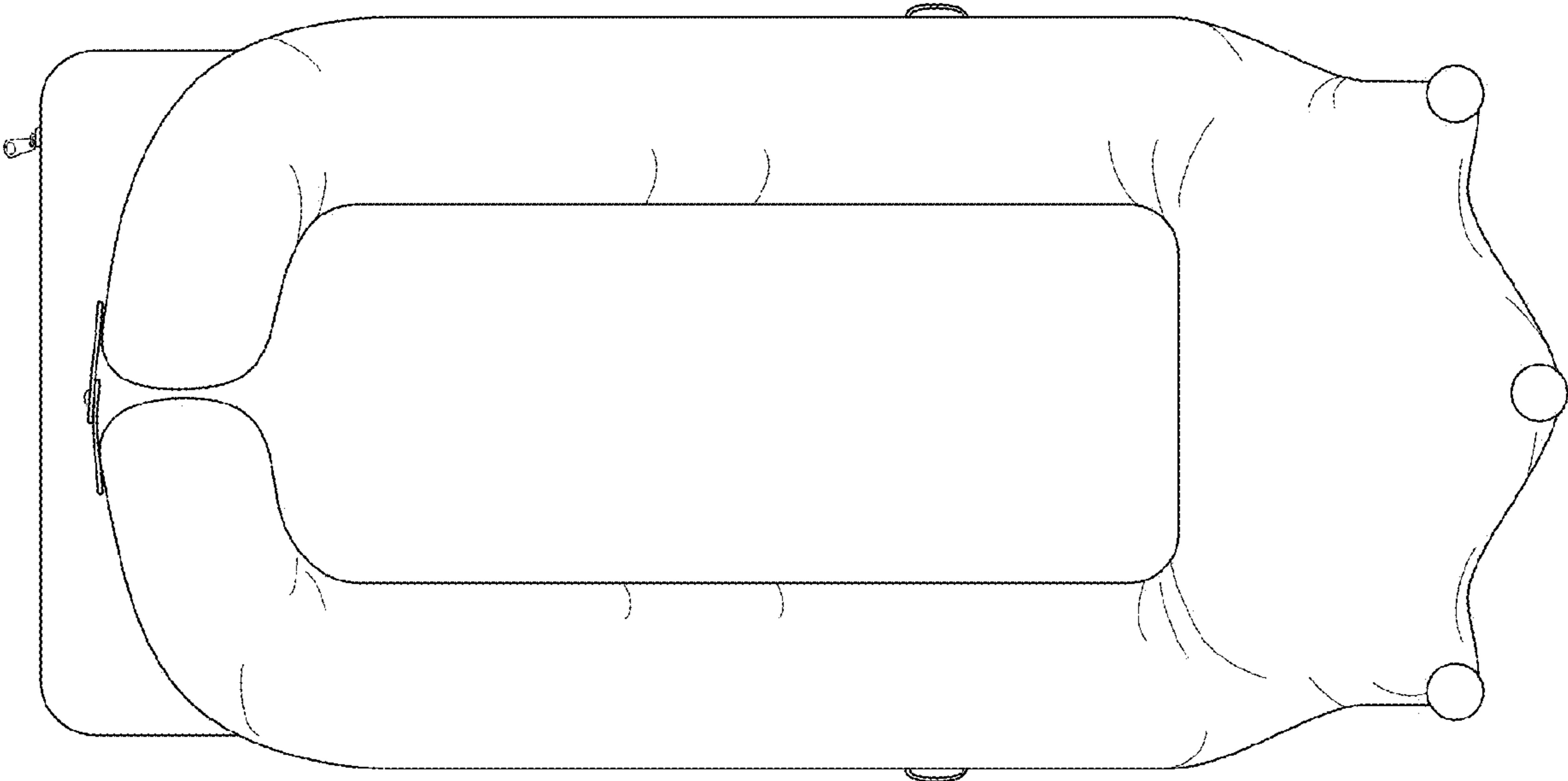


FIG.3

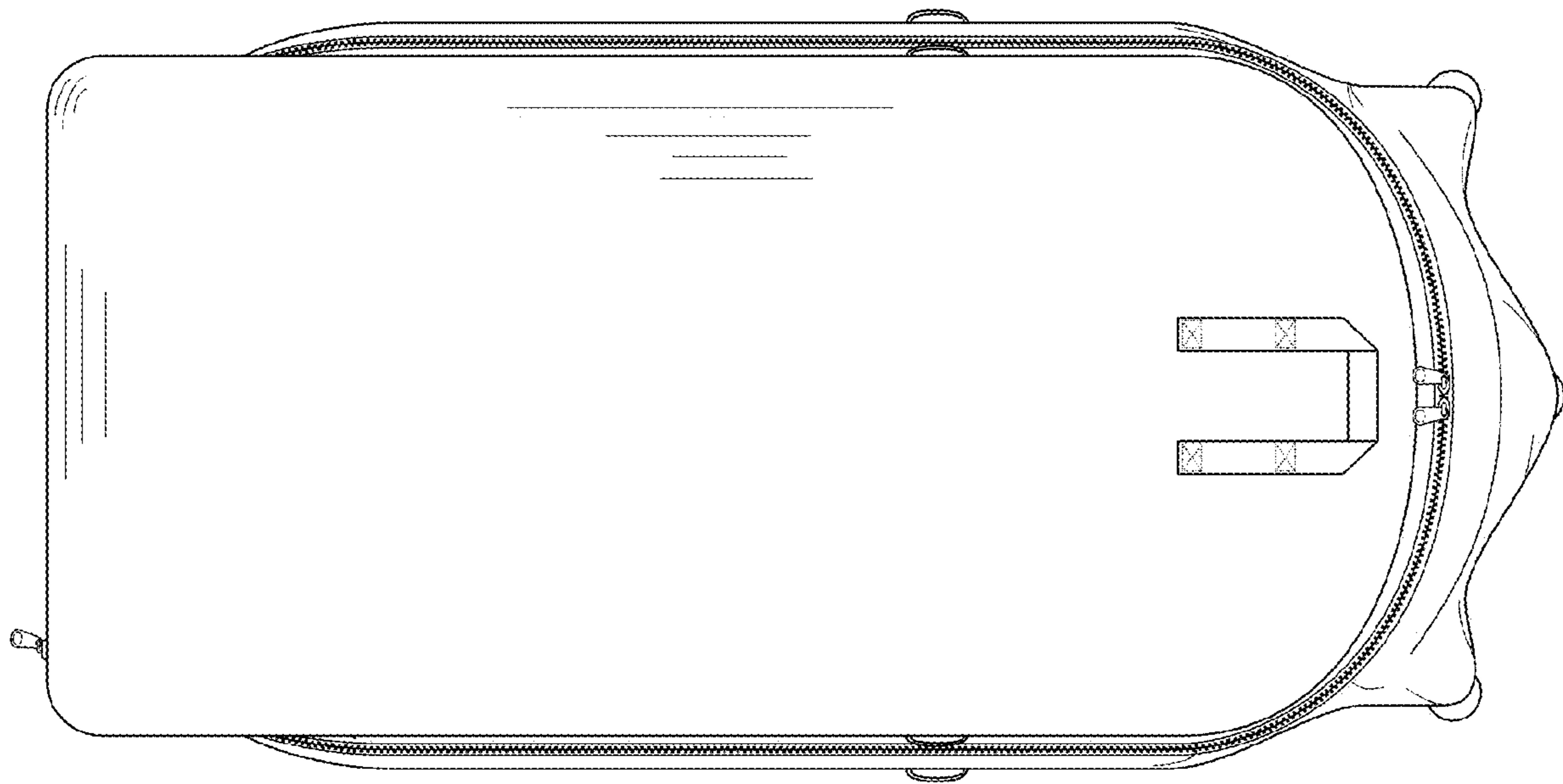


FIG.4

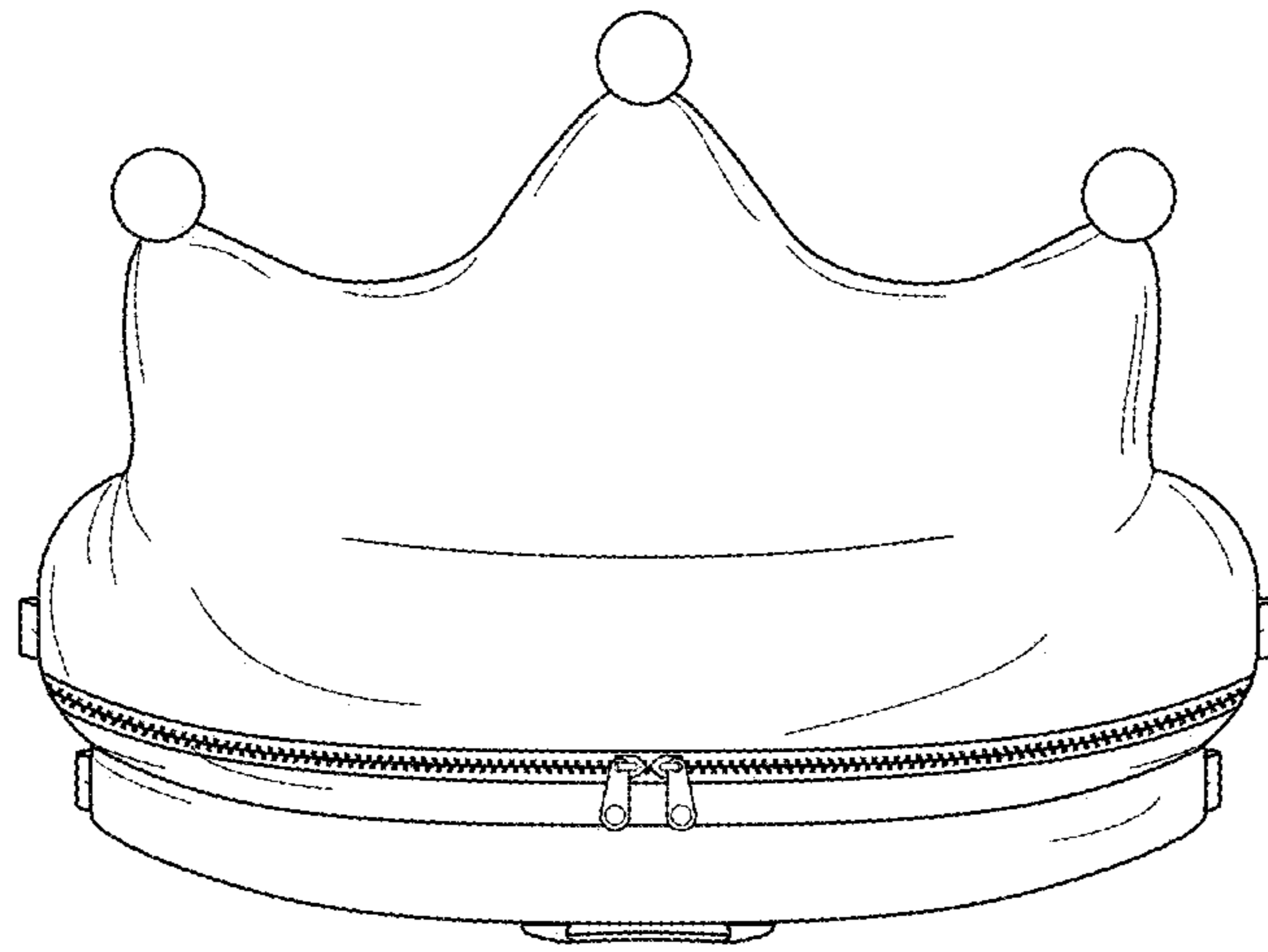


FIG.5

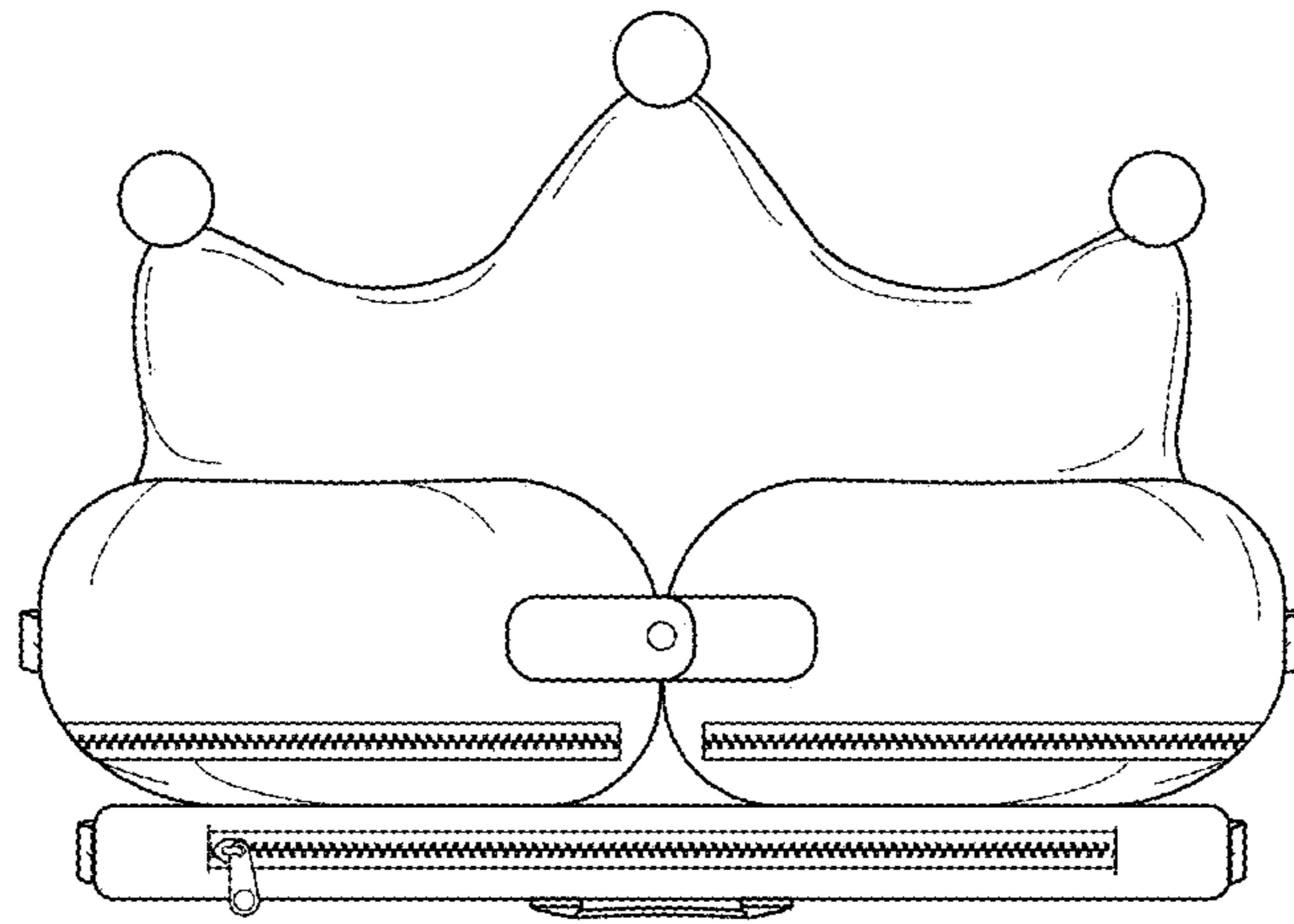


FIG.6

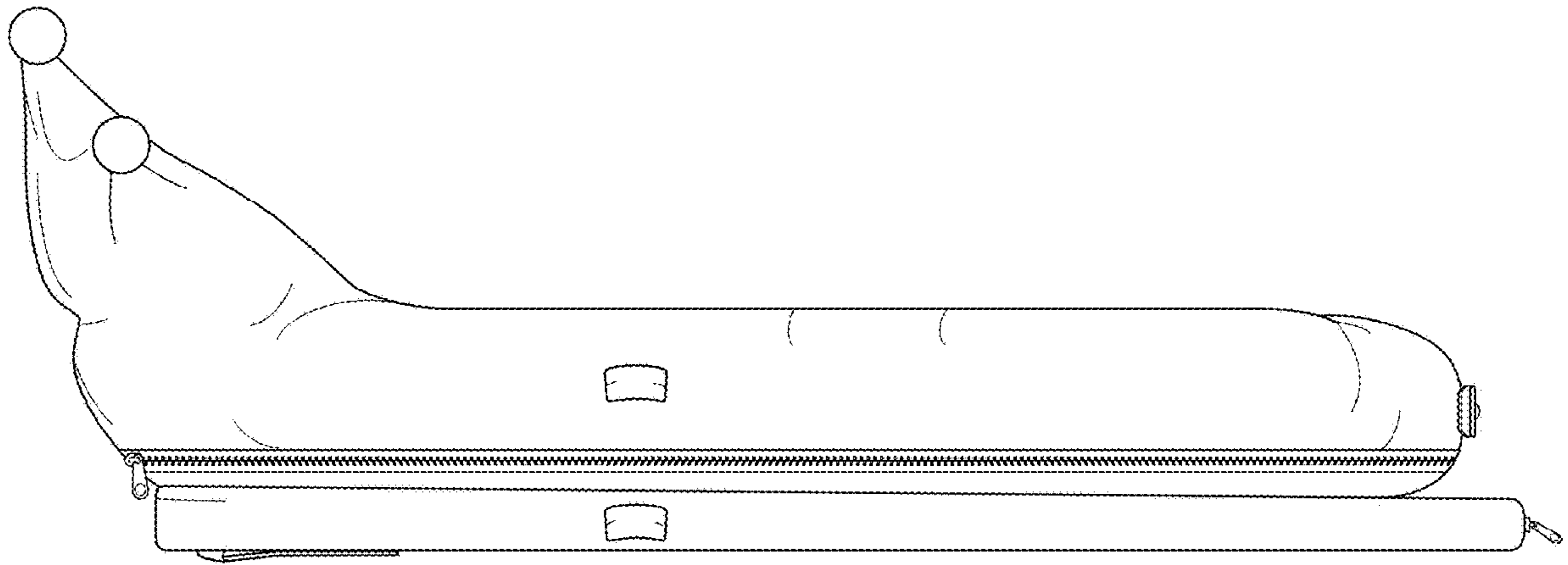


FIG. 7