



(12) **United States Design Patent**  
**Fukasawa**

(10) **Patent No.:** **US D900,500 S**  
(45) **Date of Patent:** **\*\* Nov. 3, 2020**

(54) **CHAIR**

(71) Applicant: **B&B Italia S.p.A.**, Milan (IT)  
(72) Inventor: **Naoto Fukasawa**, Novedrate (IT)  
(73) Assignee: **B&B ITALIA S.P.A.**, Milan (MI) (IT)  
(\*\*) Term: **15 Years**  
(21) Appl. No.: **29/665,636**  
(22) Filed: **Oct. 5, 2018**

(30) **Foreign Application Priority Data**

Apr. 6, 2018 (IT) ..... 402018000002115

(51) **LOC (12) Cl.** ..... **06-01**

(52) **U.S. Cl.**  
USPC ..... **D6/379**

(58) **Field of Classification Search**

USPC ..... D6/334, 349, 360, 362, 374-377, 379,  
D6/381, 716, 716.1, 719.3  
CPC .. A47C 1/00; A47C 1/02; A47C 1/024; A47C  
1/028; A47C 1/037; A47C 3/00; A47C  
3/04; A47C 3/14; A47C 3/20; A47C  
7/002; A47C 7/16; A47C 7/18; A47C  
4/04; A47C 4/08; A47C 4/18; A47C 4/28;  
A47C 4/54; A47C 11/00; A47C 9/007;  
A47C 13/00; A47C 15/002; A47C 17/02;  
A47C 31/11

See application file for complete search history.

(56) **References Cited**

U.S. PATENT DOCUMENTS

D234,653 S *	4/1975	Morishita .....	D6/375
D235,496 S *	6/1975	Noda et al. ....	D6/379
D474,621 S *	5/2003	Pesso .....	D6/379
D481,216 S *	10/2003	Chalmers .....	D6/360
D582,693 S *	12/2008	da Costa .....	D6/380
D724,859 S *	3/2015	Young .....	D6/379
D816,365 S *	5/2018	de Oliveira Pires Junior .....	D6/379
			D6/379
D876,855 S *	3/2020	Vanderminden .....	D6/379
D882,972 S *	5/2020	Berbegal Perez .....	D6/334

\* cited by examiner

*Primary Examiner* — R. Johnson

(74) *Attorney, Agent, or Firm* — Thomas I Horstemeyer, LLP

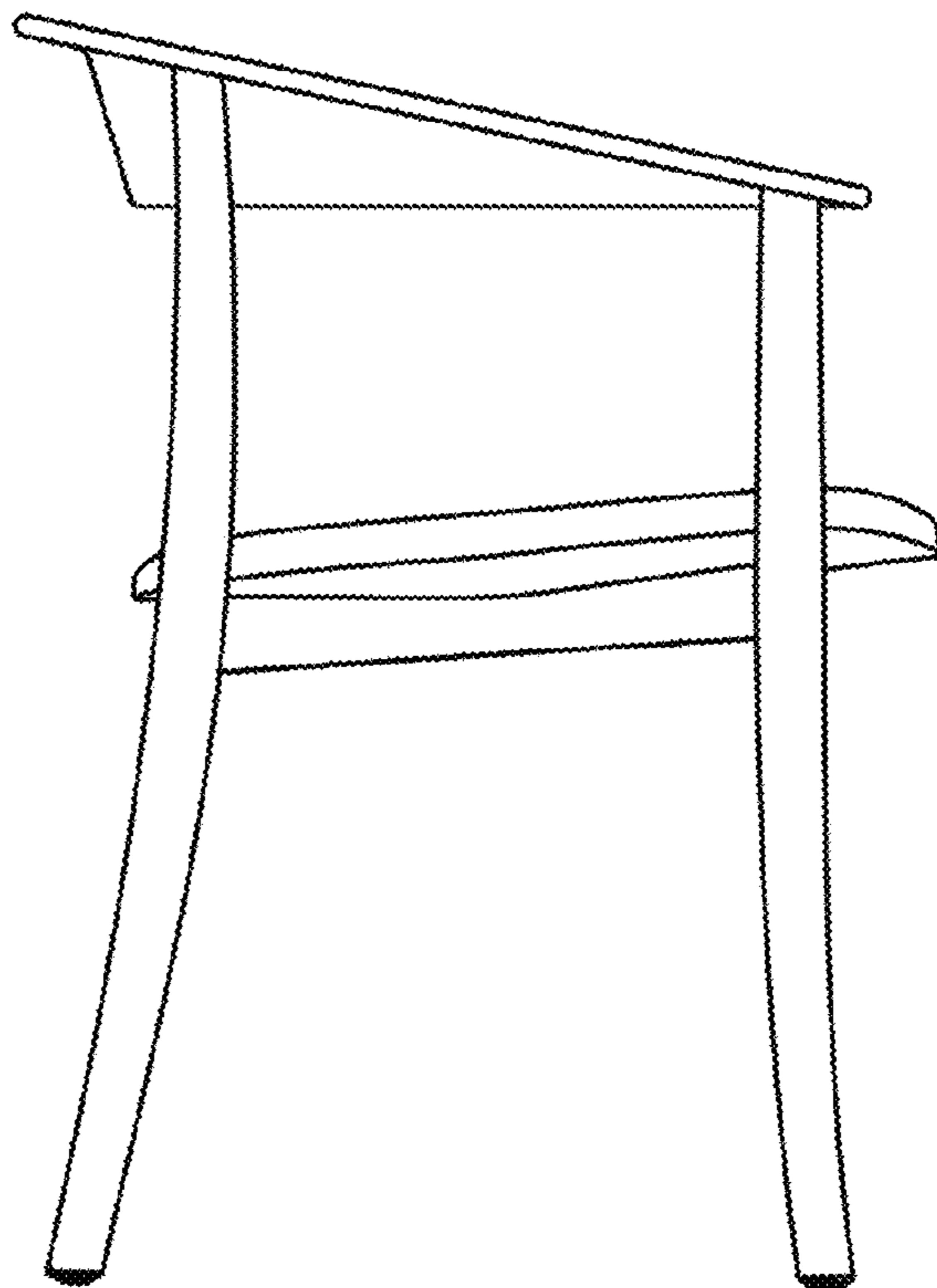
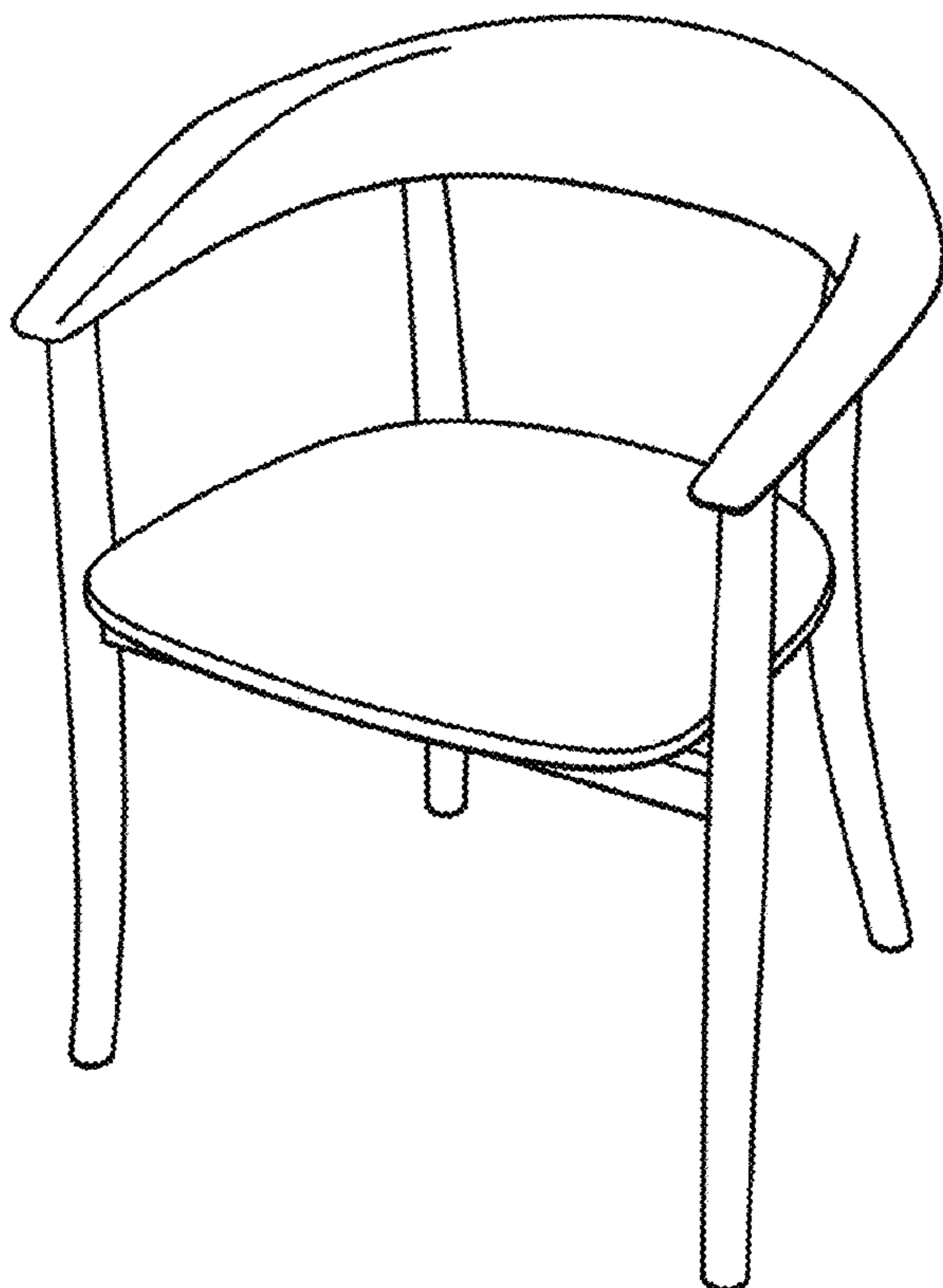
(57) **CLAIM**

The ornamental design for a chair, as shown and described.

**DESCRIPTION**

FIG. 1 is a perspective view of a chair, showing my new design;  
FIG. 2 is a front view thereof;  
FIG. 3 is a rear view thereof;  
FIG. 4 is a left side view thereof;  
FIG. 5 is a right side view thereof;  
FIG. 6 is a top view thereof; and,  
FIG. 7 is a bottom view thereof.

**1 Claim, 7 Drawing Sheets**



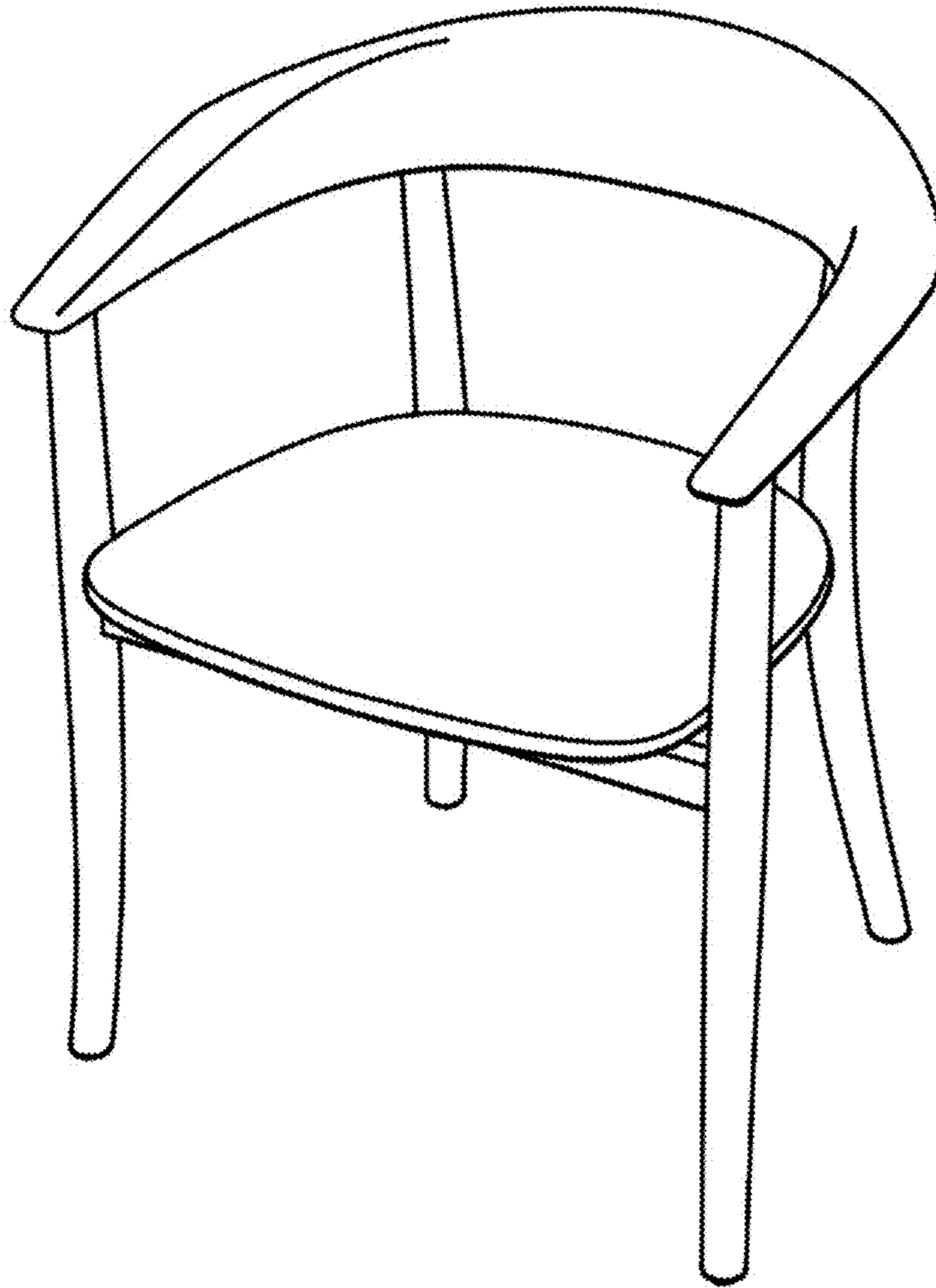


FIG. 1

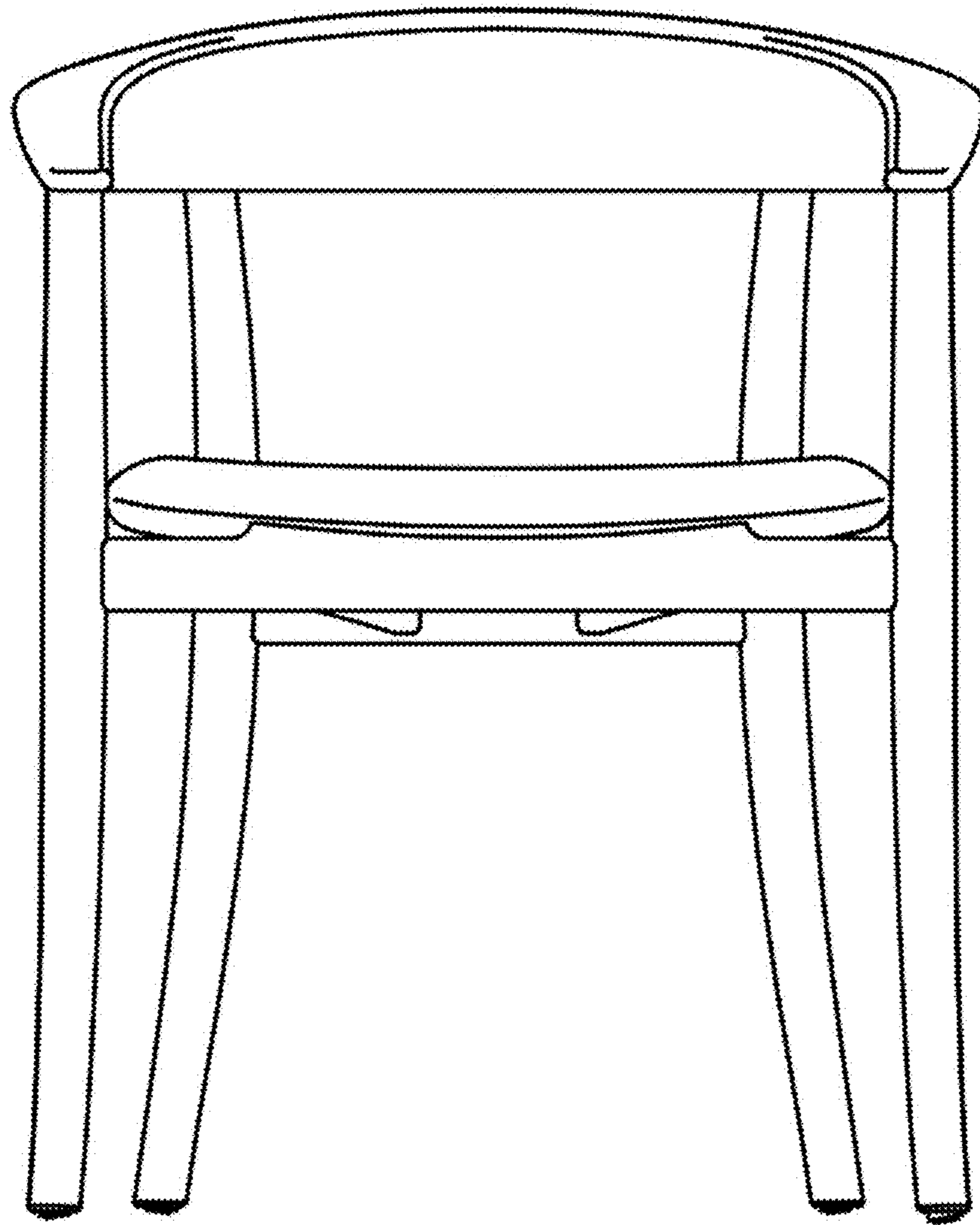


FIG. 2

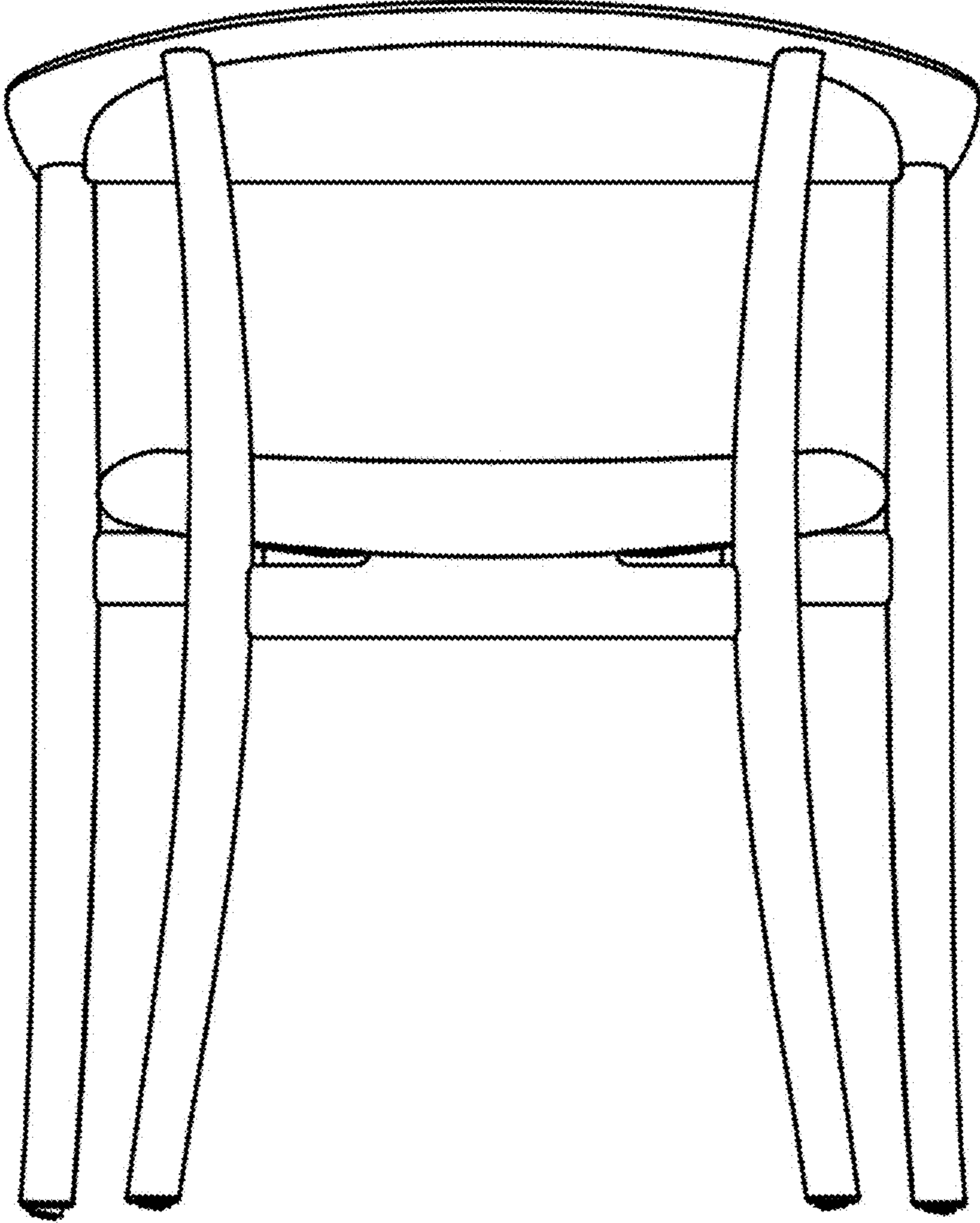


FIG. 3

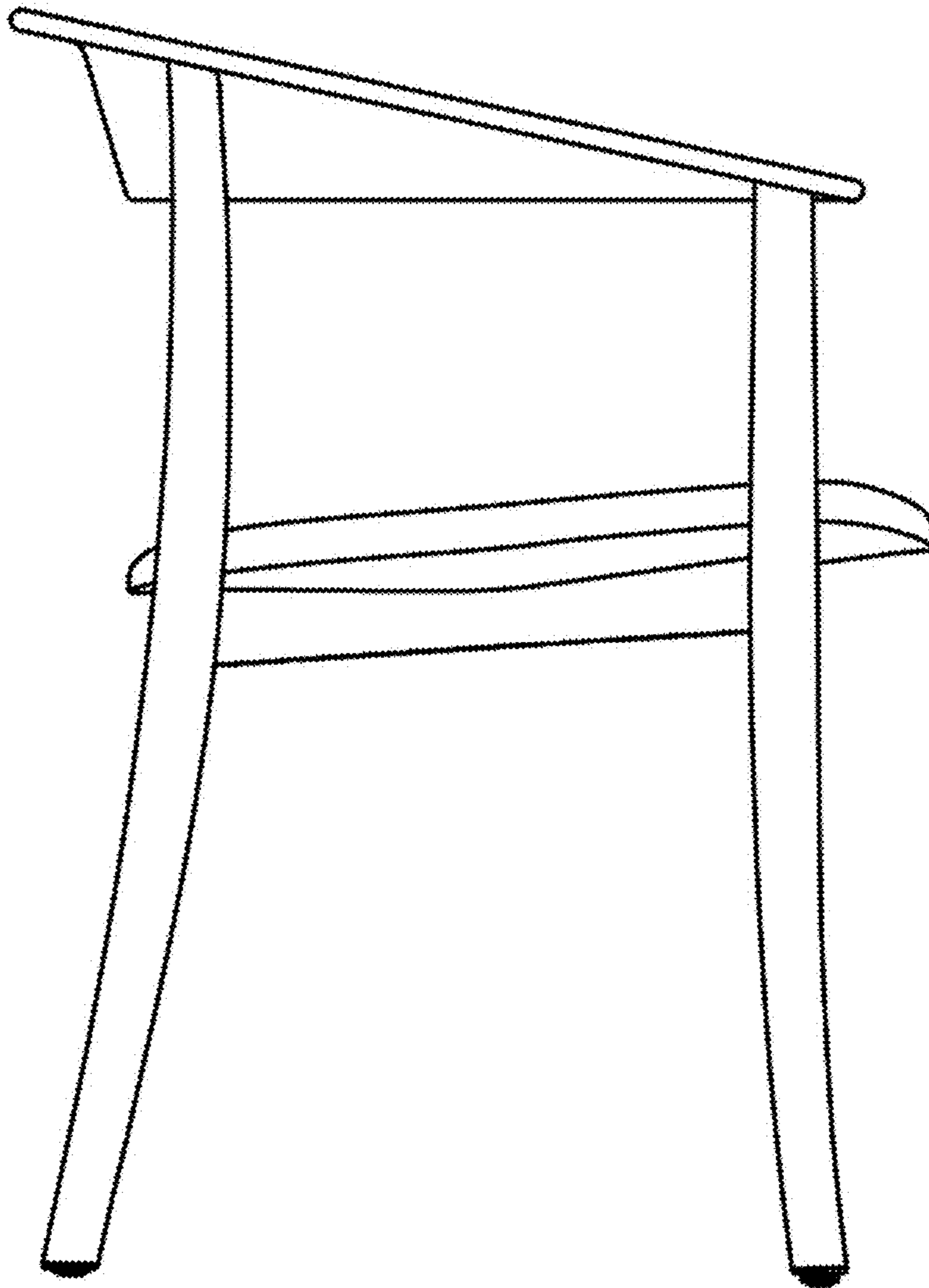


FIG. 4



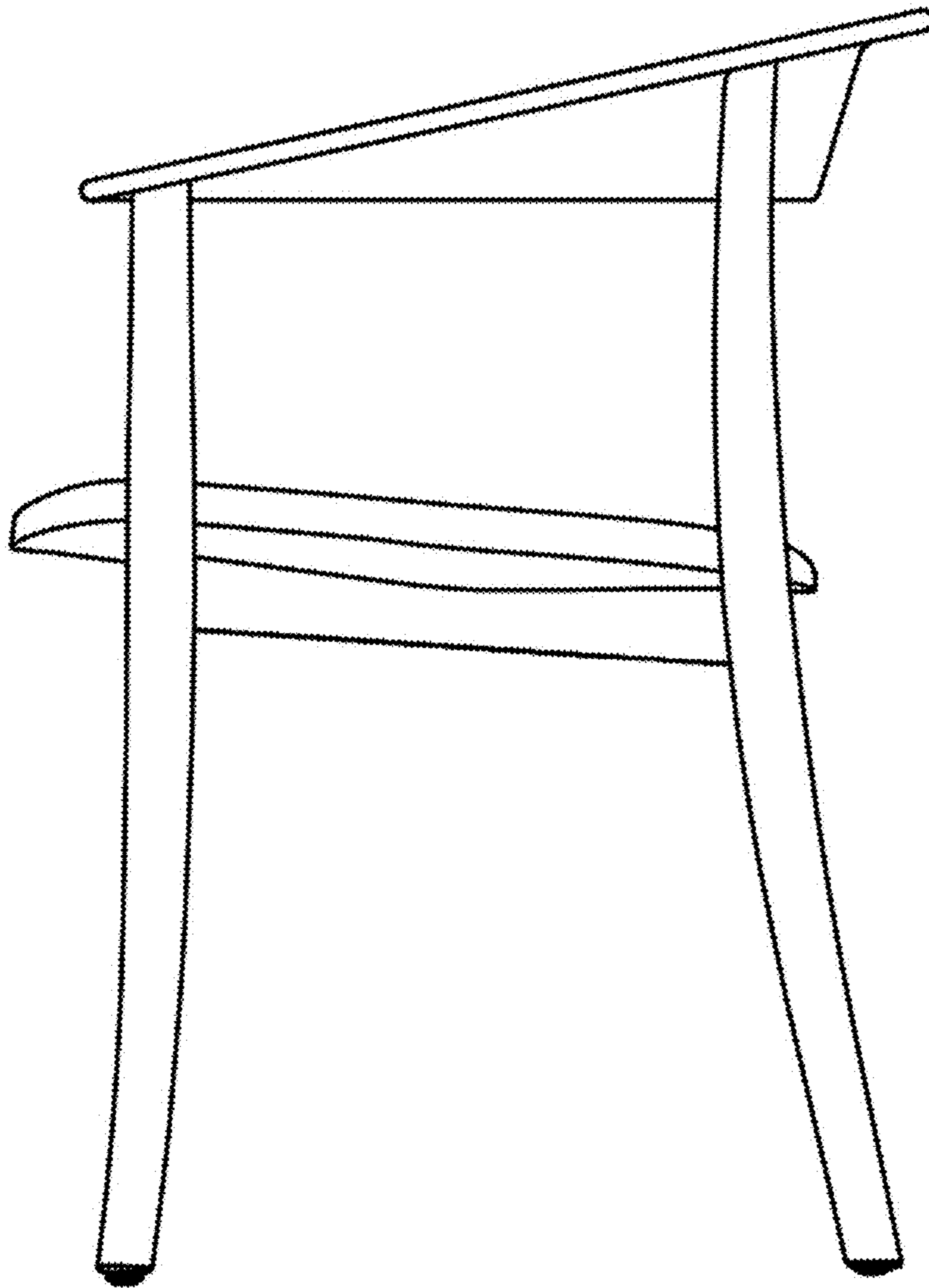


FIG. 5

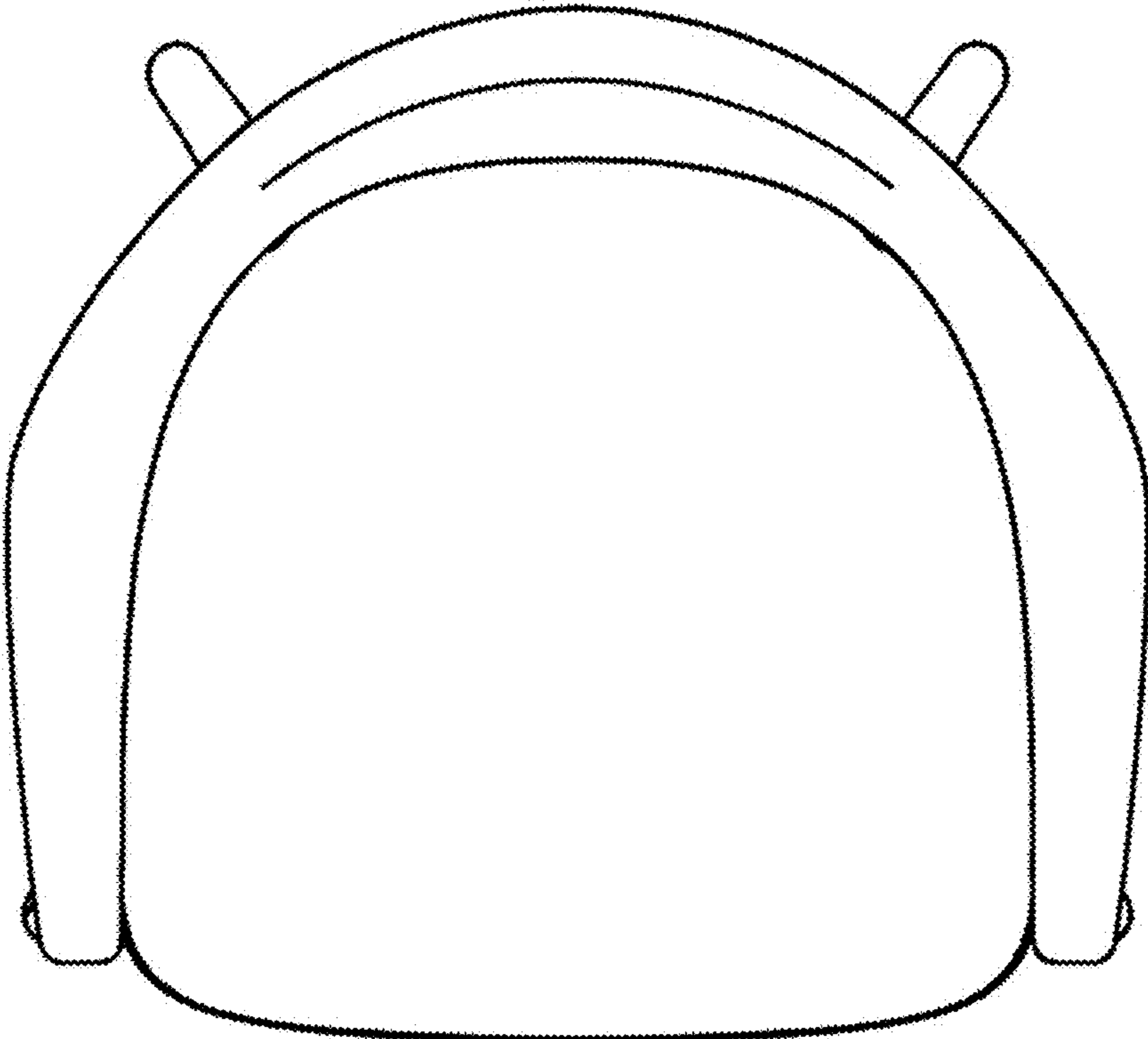


FIG. 6

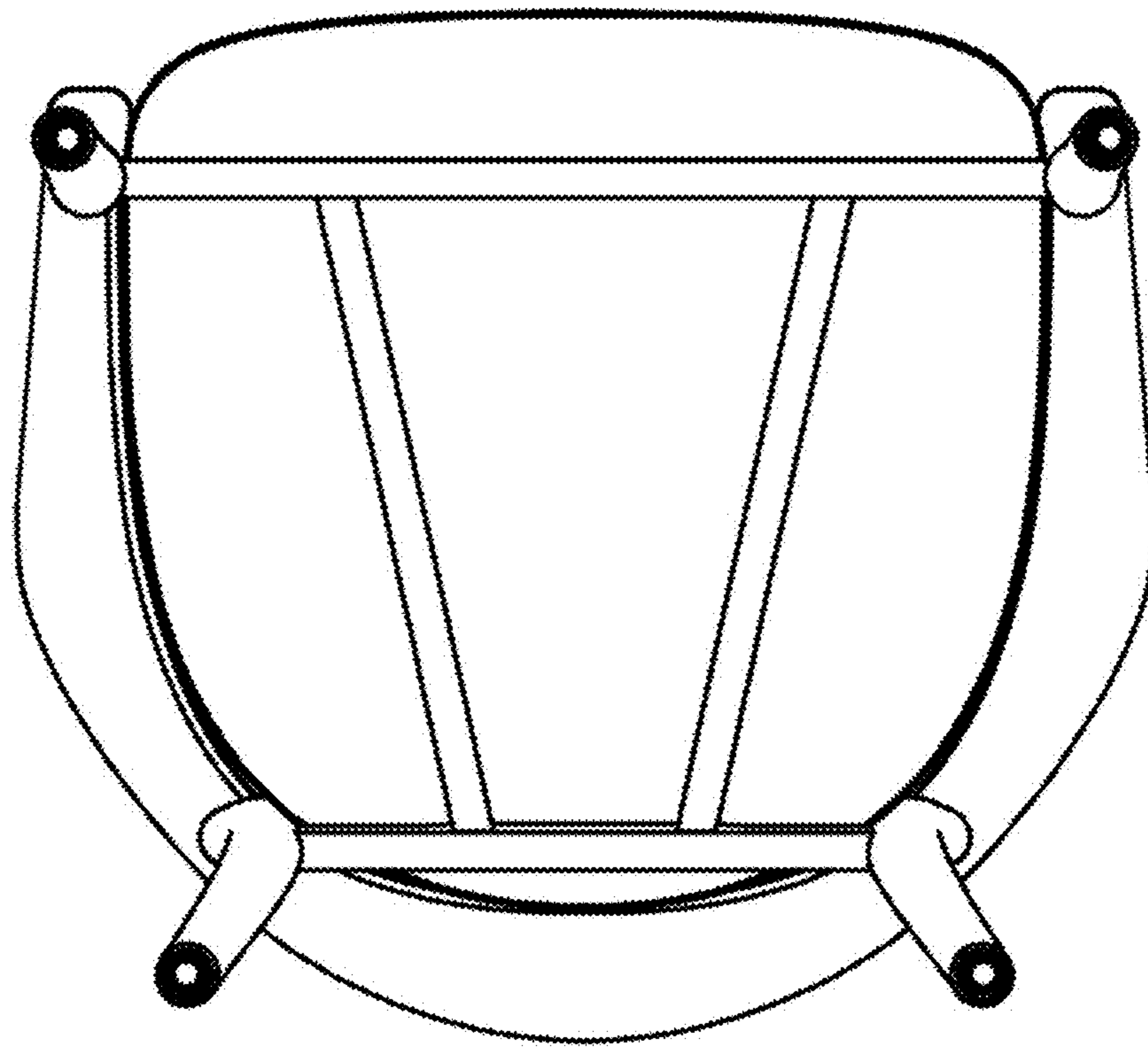


FIG. 7