



US00D900499S

(12) **United States Design Patent** (10) **Patent No.:** **US D900,499 S**
Yoo et al. (45) **Date of Patent:** **** Nov. 3, 2020**

(54) **INFANT SOFA**
(71) Applicant: **LG ELECTRONICS INC.,** Seoul (KR)
(72) Inventors: **Taewoo Yoo,** Seoul (KR); **Hyojin Won,** Seoul (KR); **Yeojeong Choi,** Seoul (KR); **Jahee Sohn,** Seoul (KR); **Yeonju Cho,** Seoul (KR); **Hyunki Kim,** Seoul (KR)
(73) Assignee: **LG ELECTRONICS INC.,** Seoul (KR)
(**) Term: **15 Years**
(21) Appl. No.: **29/719,461**
(22) Filed: **Jan. 3, 2020**

(30) **Foreign Application Priority Data**

Jul. 5, 2019 (KR) 30-2019-0032434
(51) **LOC (12) Cl.** **06-01**
(52) **U.S. Cl.**
USPC **D6/374; D6/381**
(58) **Field of Classification Search**
USPC D6/331, 333, 334, 335, 374, 375, 381, D6/390, 391, 718.26; D30/118
CPC A47D 7/00; A47D 7/002; A47D 7/005; A47D 7/01; A47D 7/02; A47D 9/00; A47D 9/02; A47D 9/005; A47D 13/06; A47D 13/061; A47D 13/066; A47D 13/068; A47D 11/00; A47D 11/005
See application file for complete search history.

(56) **References Cited**

U.S. PATENT DOCUMENTS

D183,287 S * 7/1958 Maurer D6/334
D252,490 S * 7/1979 Petersilie D6/334

D283,855 S * 5/1986 Kujawski D6/333
4,980,937 A * 1/1991 Mason A47D 13/08
5/655
D321,601 S * 11/1991 Zanki D6/361
D342,164 S * 12/1993 Dalman D30/118
D559,576 S * 1/2008 Bauchet D6/381
D580,669 S * 11/2008 Vogt D6/361
8,893,327 B1 * 11/2014 Muhammad A47D 9/00
5/101
D728,168 S * 4/2015 Richardson D30/118
D777,461 S * 1/2017 Hashemi D6/361
D778,078 S * 2/2017 Wang D6/348
D819,985 S * 6/2018 Clabaugh D6/333
2005/0155155 A1 * 7/2005 Kassai A47D 15/008
5/732
2014/0259359 A1 * 9/2014 Yaari A47D 9/00
4/546
2015/0250329 A1 * 9/2015 Murray A47G 9/0215
5/101
2019/0125099 A1 * 5/2019 El Mali A47D 9/00

* cited by examiner

Primary Examiner — Cathron C Brooks

(74) *Attorney, Agent, or Firm* — Birch, Stewart, Kolasch & Birch, LLP

(57) **CLAIM**

The ornamental design for an infant sofa, as shown and described.

DESCRIPTION

FIG. 1 is a front perspective view of the infant sofa showing our new design;
FIG. 2 is a front view thereof;
FIG. 3 is a rear view thereof;
FIG. 4 is a left side view thereof;
FIG. 5 is a right side thereof;
FIG. 6 is a top view thereof; and,
FIG. 7 is a bottom view thereof.
The broken lines depict portions of the infant sofa that form no part of the claimed design.

1 Claim, 7 Drawing Sheets

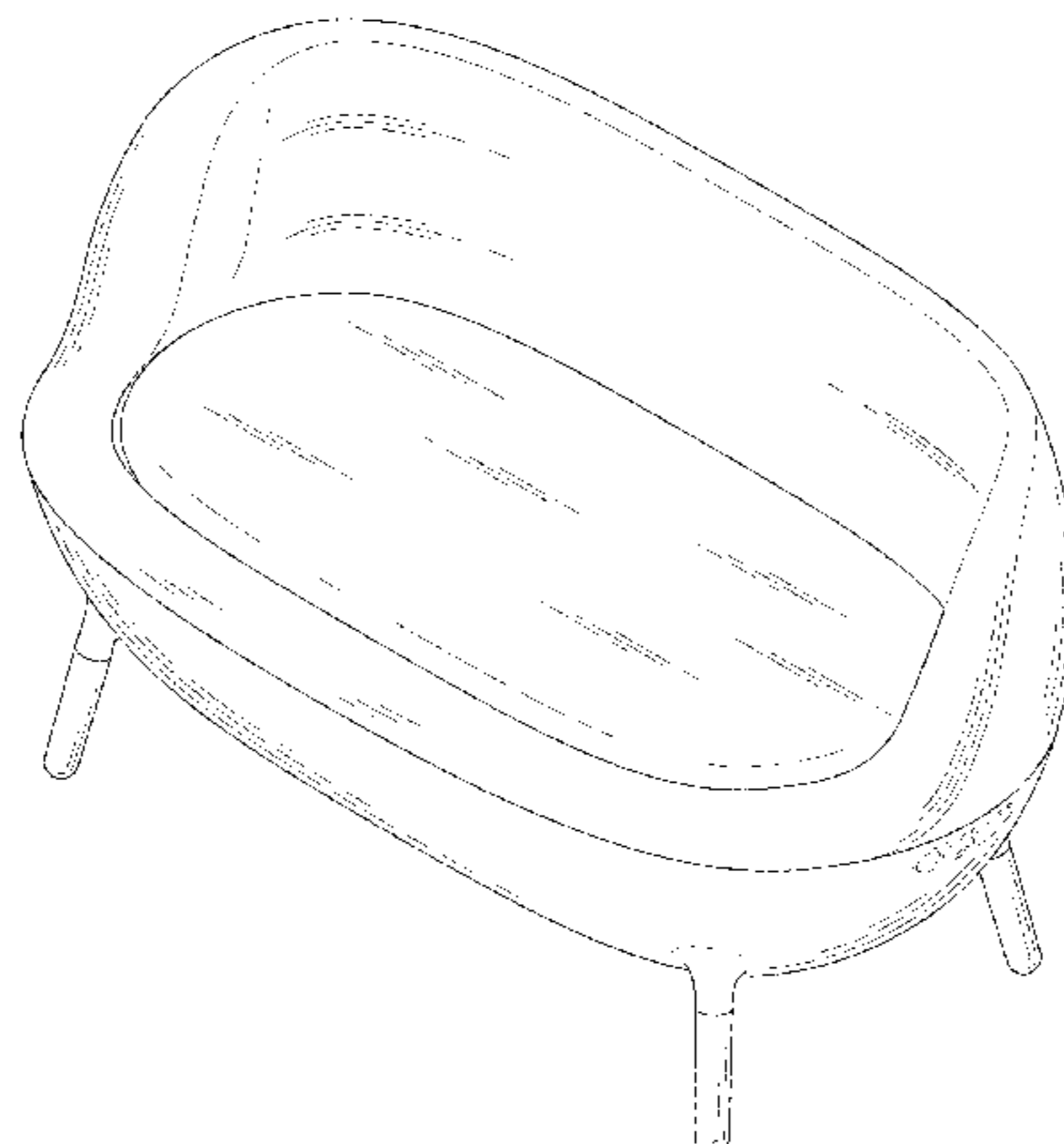


FIG. 1

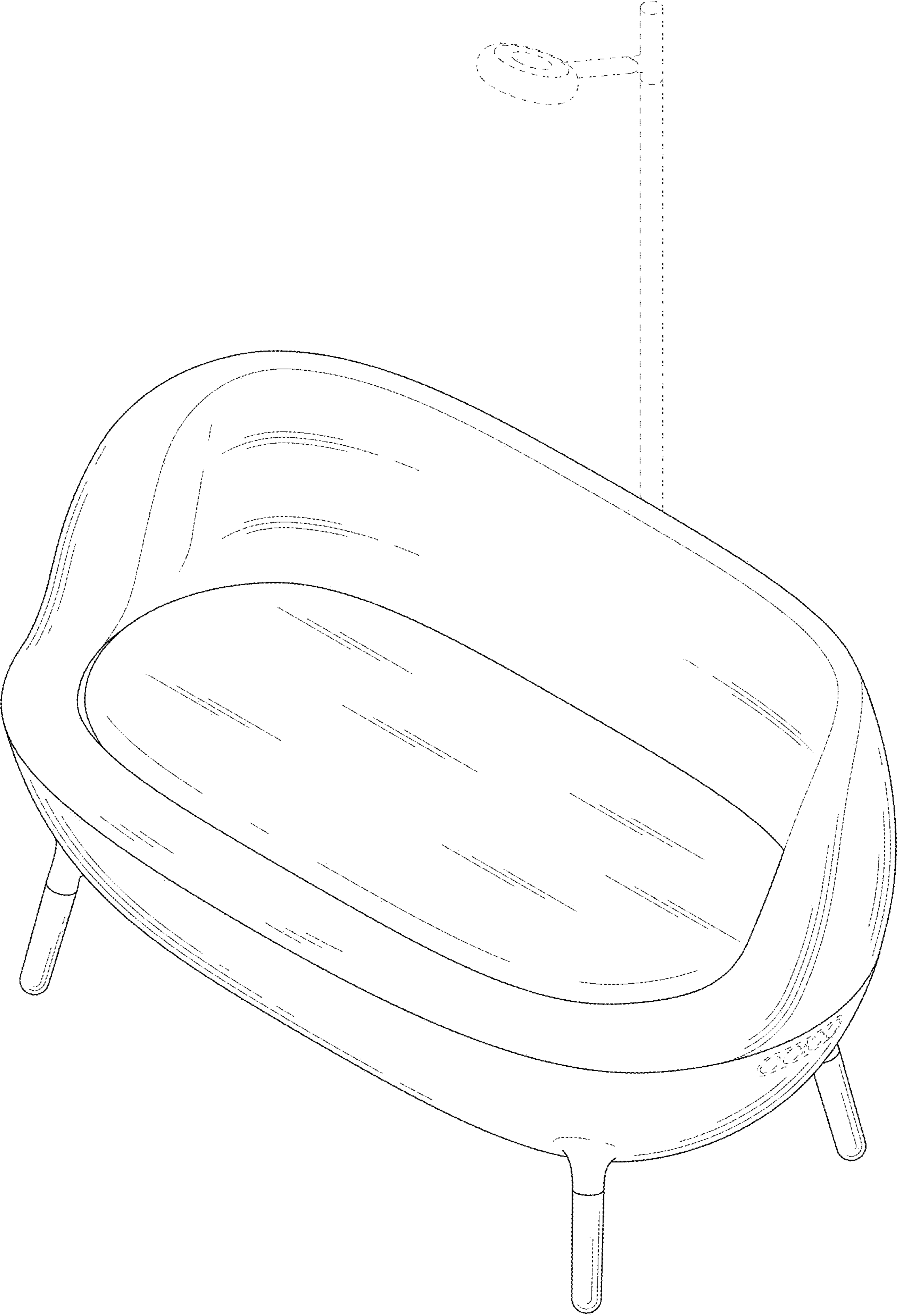


FIG. 2

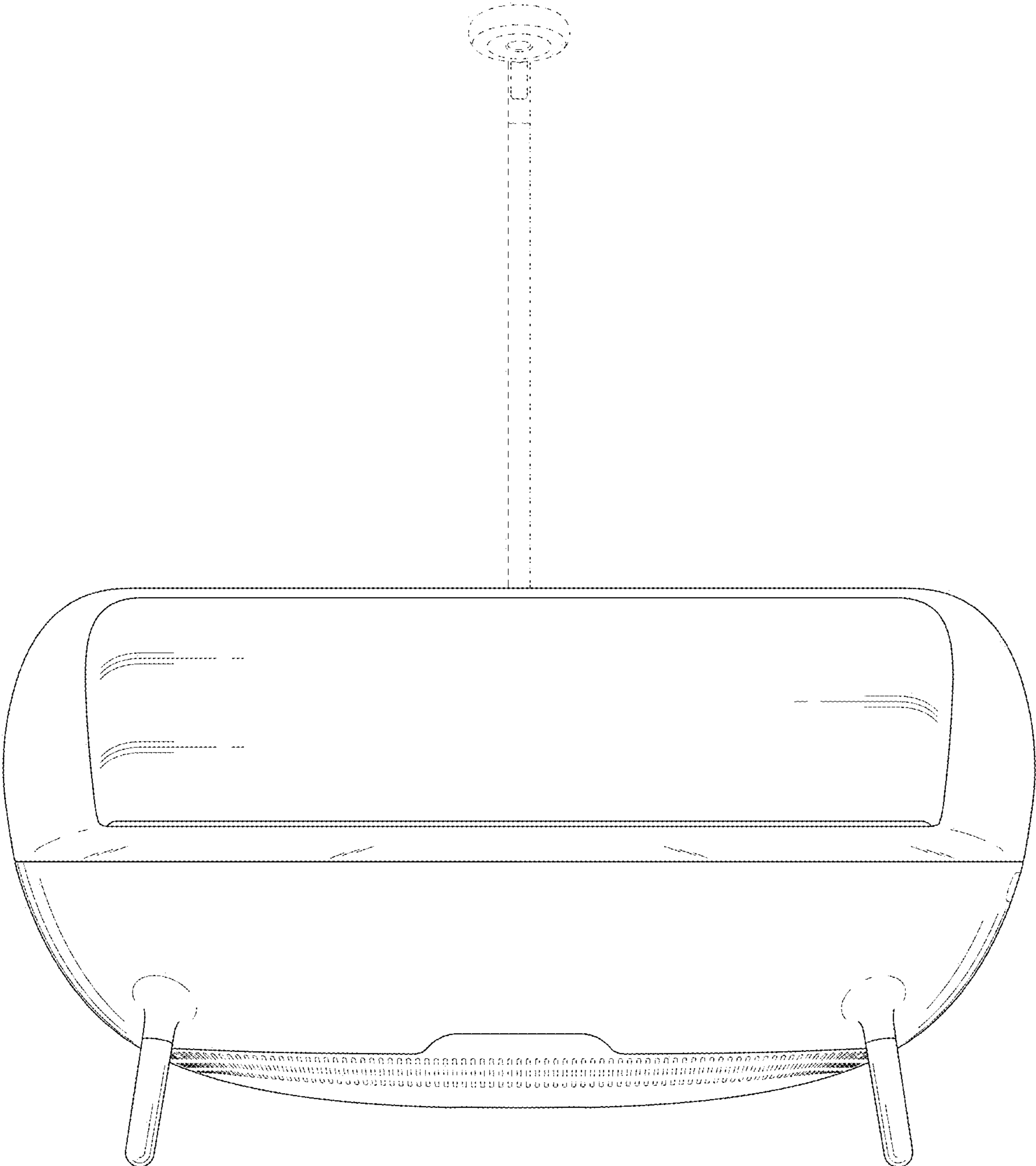


FIG. 3

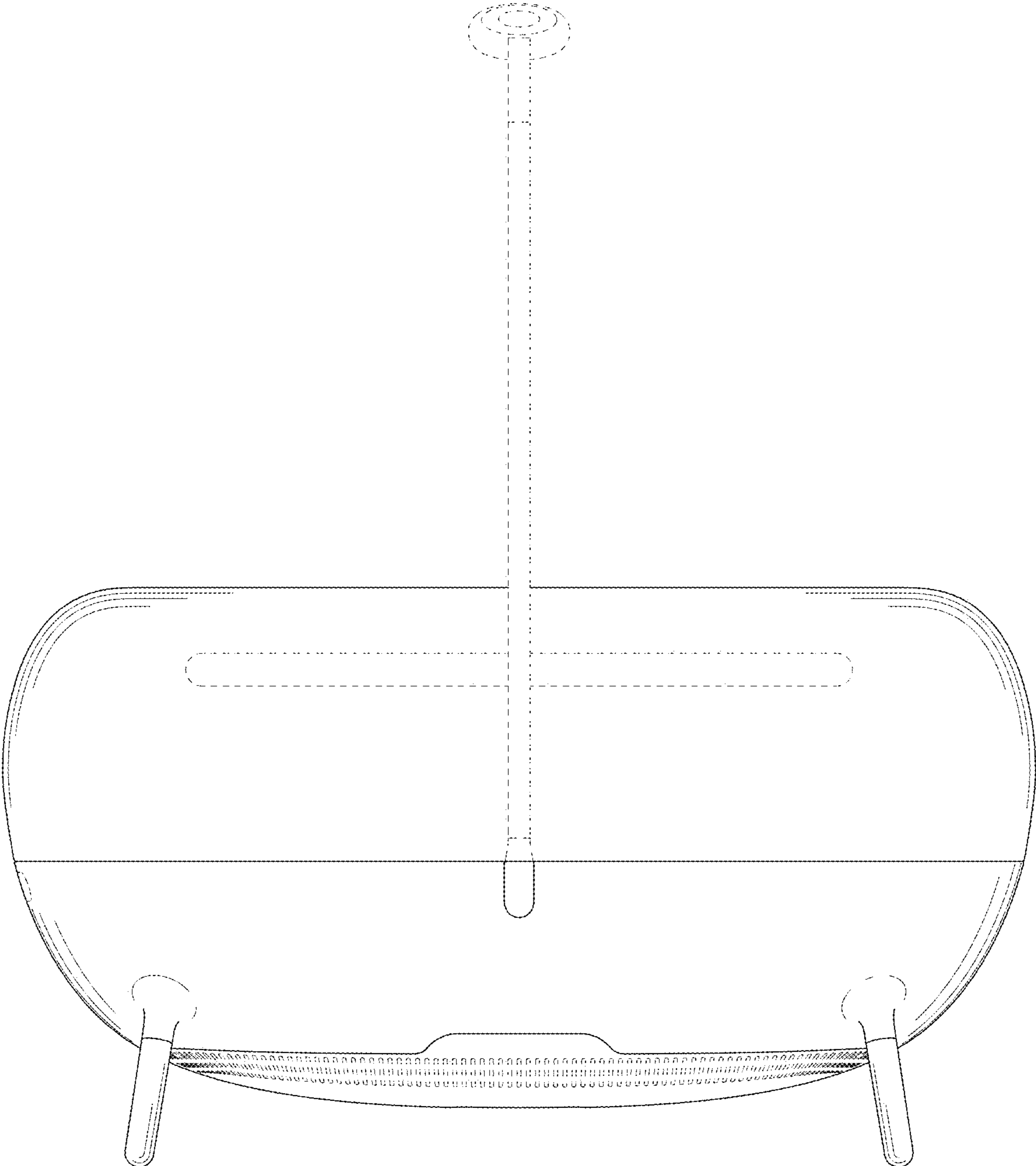


FIG. 4

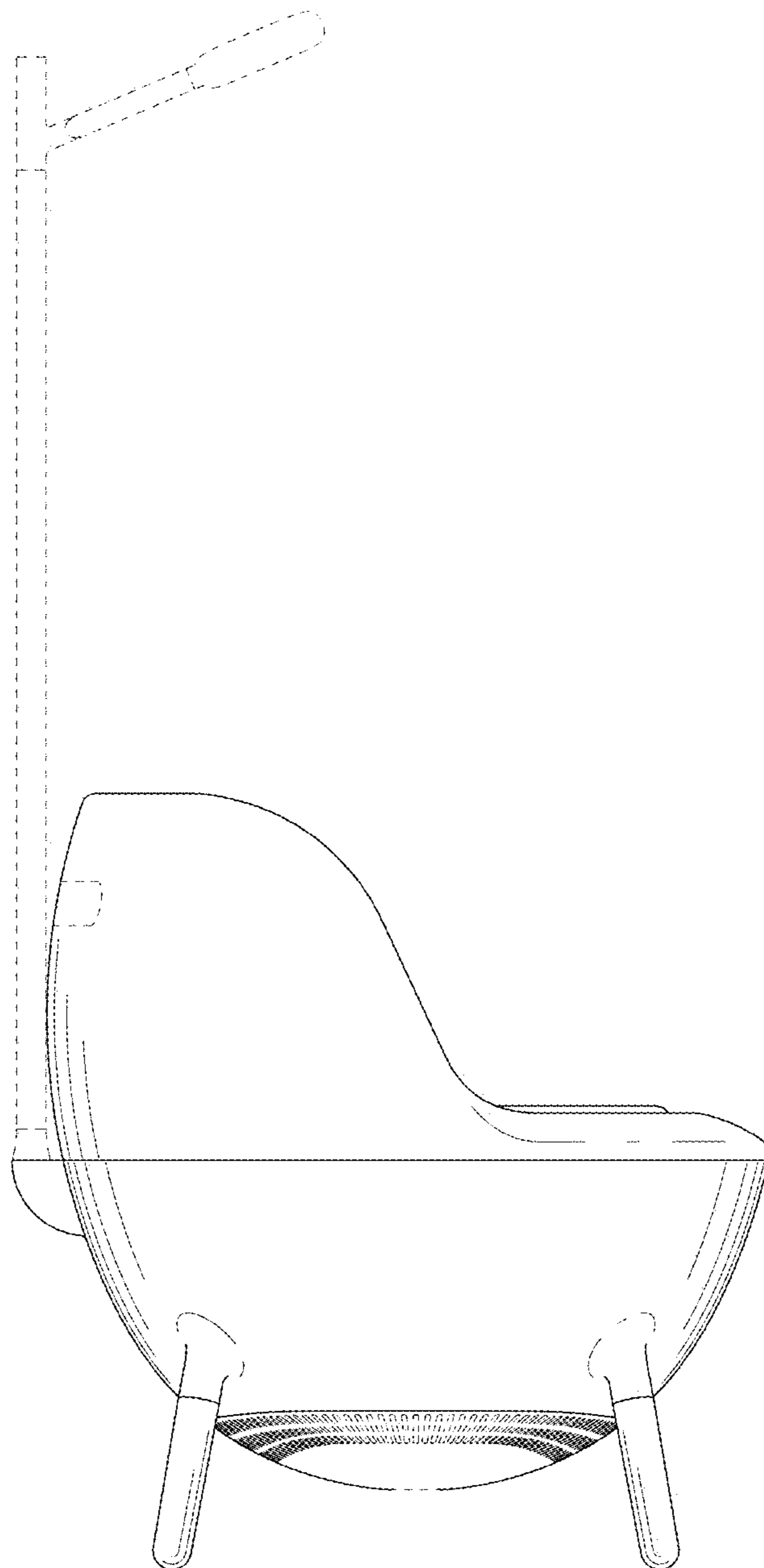


FIG. 5

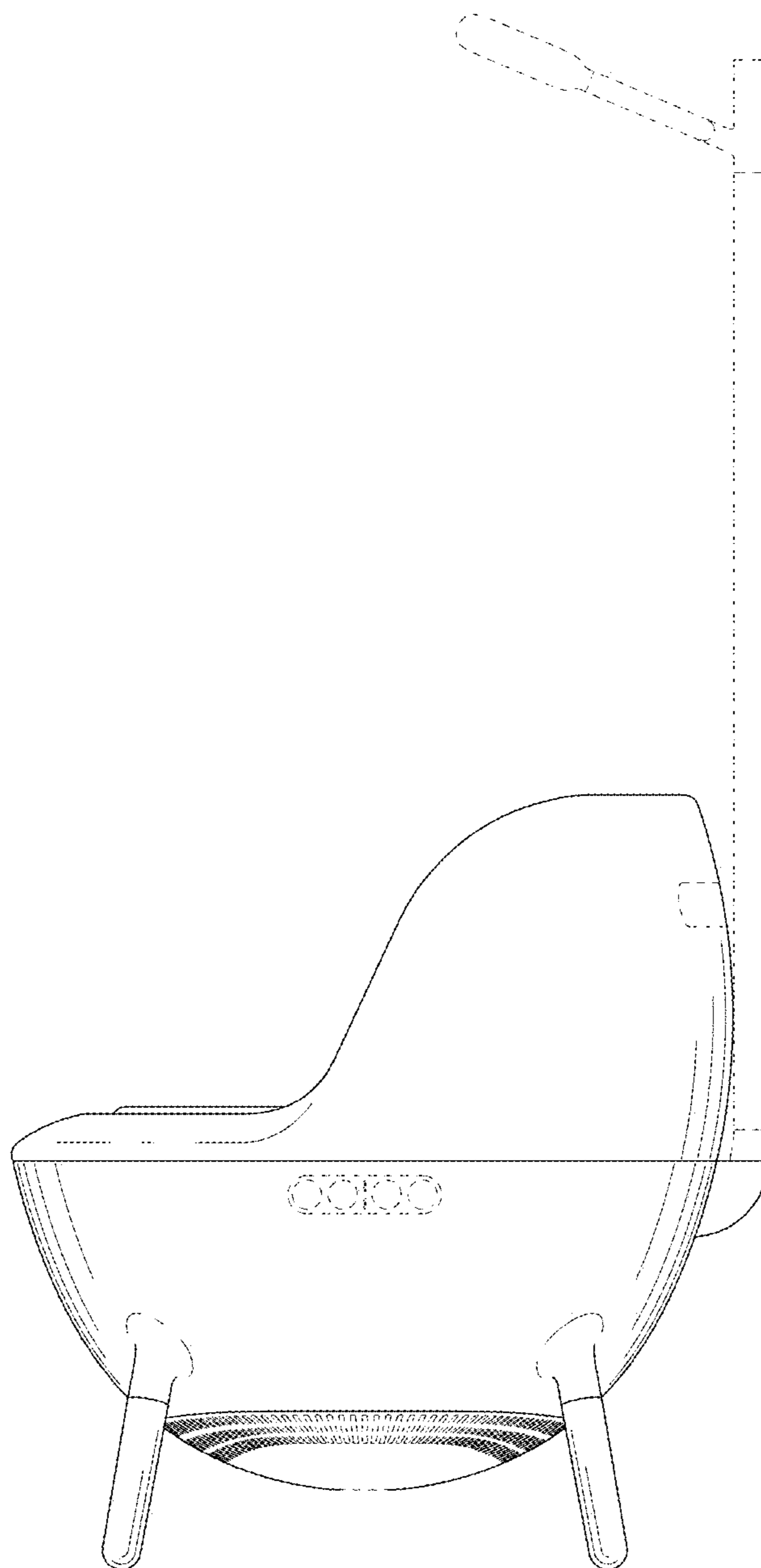


FIG. 6

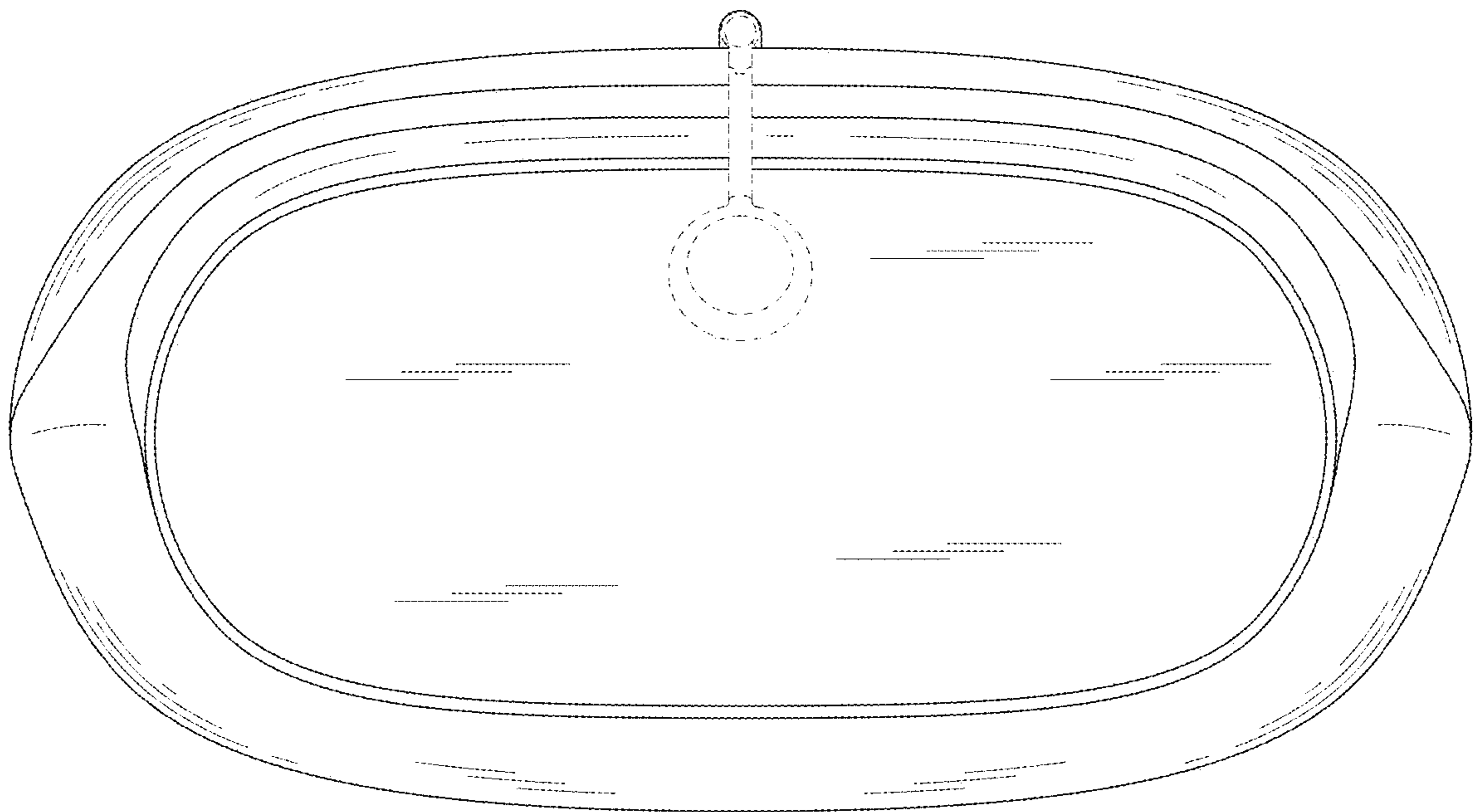


FIG. 7

