



US00D900497S

(12) **United States Design Patent** (10) **Patent No.:** **US D900,497 S**  
**Altherr et al.** (45) **Date of Patent:** **\*\* Nov. 3, 2020**

(54) **OFFICE CHAIR**

(71) Applicant: **ARPER S.P.A.**, Monastier di Treviso (IT)

(72) Inventors: **Jeannette Altherr**, Monastier di Treviso (IT); **Alberto Lievore**, Monastier di Treviso (IT)

(73) Assignee: **ARPER S.p.A.**, Monastier di Treviso (IT)

(\*\*) Term: **15 Years**

(21) Appl. No.: **35/507,405**

(22) Filed: **Mar. 20, 2019**

(80) **Hague Agreement Data**

Int. Filing Date: **Mar. 20, 2019**

Int. Reg. No.: **DM/202545**

Int. Reg. Date: **Mar. 20, 2019**

Int. Reg. Pub. Date: **Sep. 6, 2019**

(30) **Foreign Application Priority Data**

Sep. 25, 2018 (WO) ..... DM/103710

(51) **LOC (12) Cl.** ..... **06-01**

(52) **U.S. Cl.**  
USPC ..... **D6/366**

(58) **Field of Classification Search**  
USPC ..... D6/334, 364-367, 374, 375  
CPC ..... A47C 3/00; A47C 3/025; A47C 3/0255;  
A47C 3/026; A47C 3/18; A47C 4/00;  
A47C 4/02; A47C 5/00; A47C 7/00;  
A47C 7/02

See application file for complete search history.

(56) **References Cited**

U.S. PATENT DOCUMENTS

D535,830 S *	1/2007	Bernett	.....	D6/366
D646,914 S *	10/2011	Gaschy	.....	D6/716
D649,795 S *	12/2011	Izawa	.....	D6/366
D655,522 S *	3/2012	Czumaj-Bront	.....	D6/366
D660,031 S *	5/2012	Starczewski	.....	D6/366
D662,331 S *	6/2012	Czumaj-Bront	.....	D6/366
D688,056 S *	8/2013	Phillips	.....	D6/366
D710,640 S *	8/2014	Usumoto	.....	D6/366
D793,112 S *	8/2017	Webb	.....	D6/366
D799,843 S *	10/2017	Chen	.....	D6/366
D856,695 S *	8/2019	Chen	.....	D6/366
D883,690 S *	5/2020	Dassen	.....	D6/366

\* cited by examiner

*Primary Examiner* — Mary Ann Calabrese

(74) *Attorney, Agent, or Firm* — Thomas | Horstemeyer, LLP

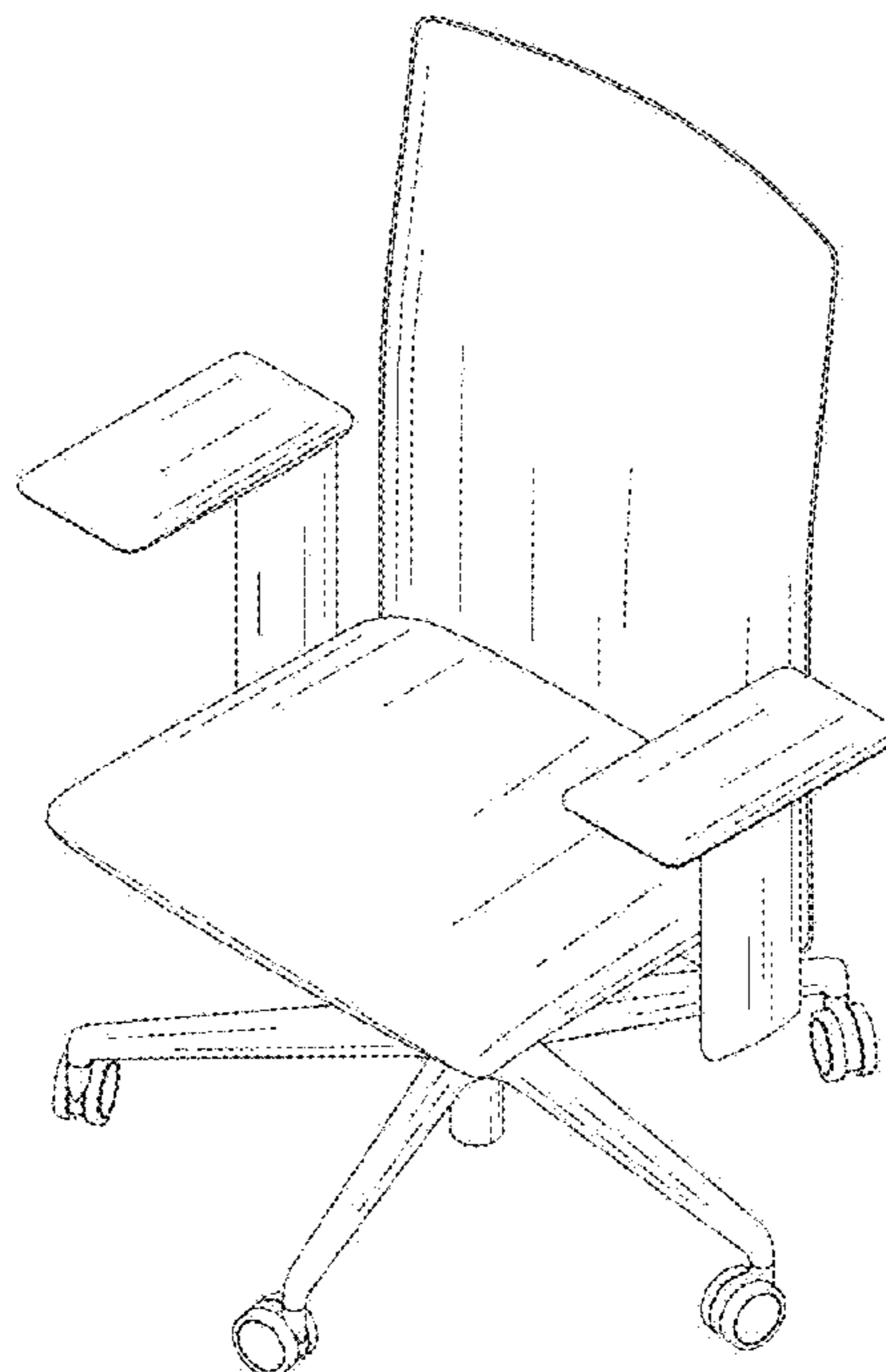
(57) **CLAIM**

The ornamental design for an office chair, as shown and described.

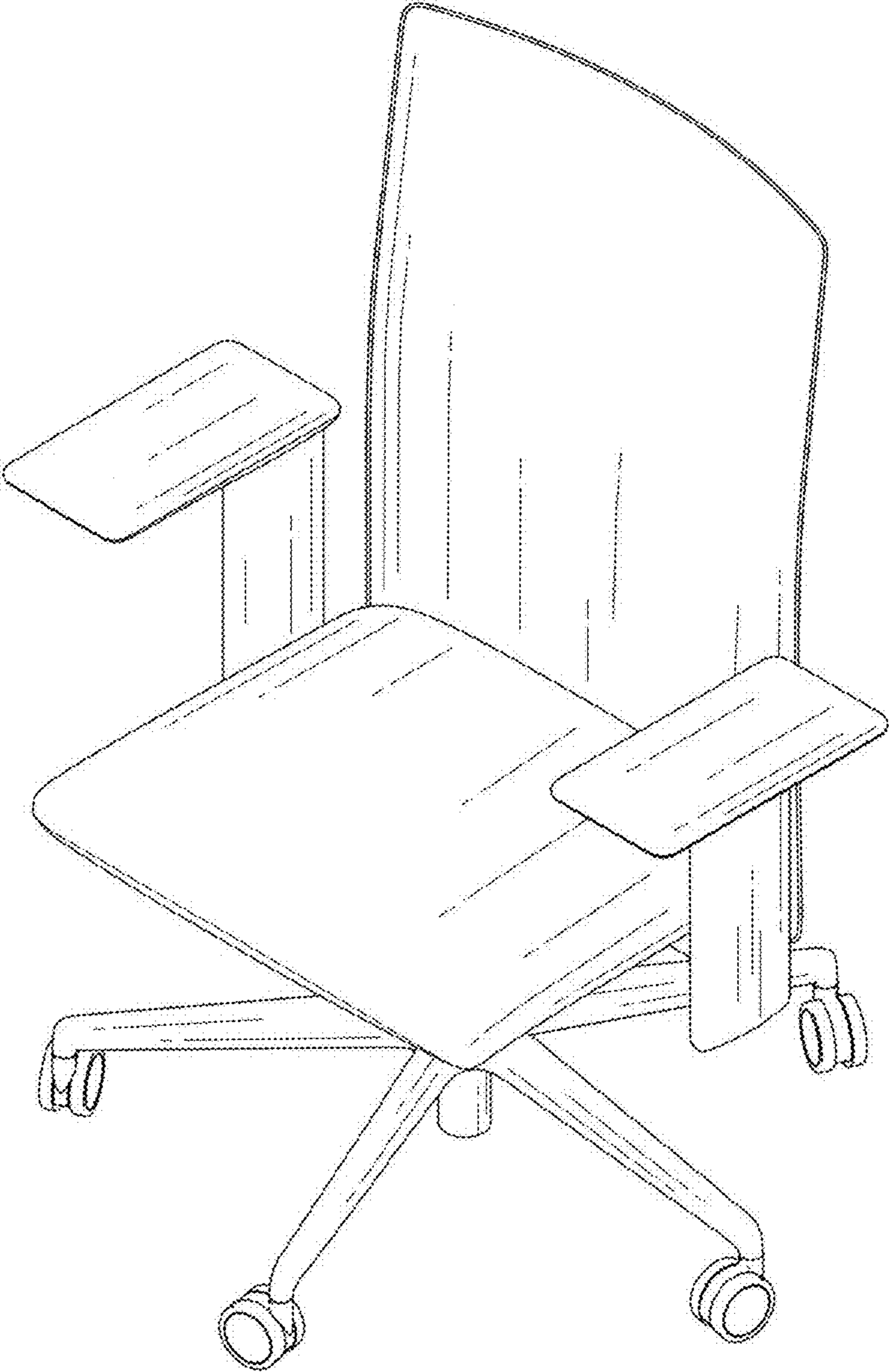
**DESCRIPTION**

1. Office chair
- 1.1 is a front perspective view showing my new design;
- 1.2 is a rear perspective view thereof;
- 1.3 is a right view thereof;
- 1.4 is a left view thereof;
- 1.5 is a front view thereof;
- 1.6 is a rear view thereof; and,
- 1.7 is a top view thereof.

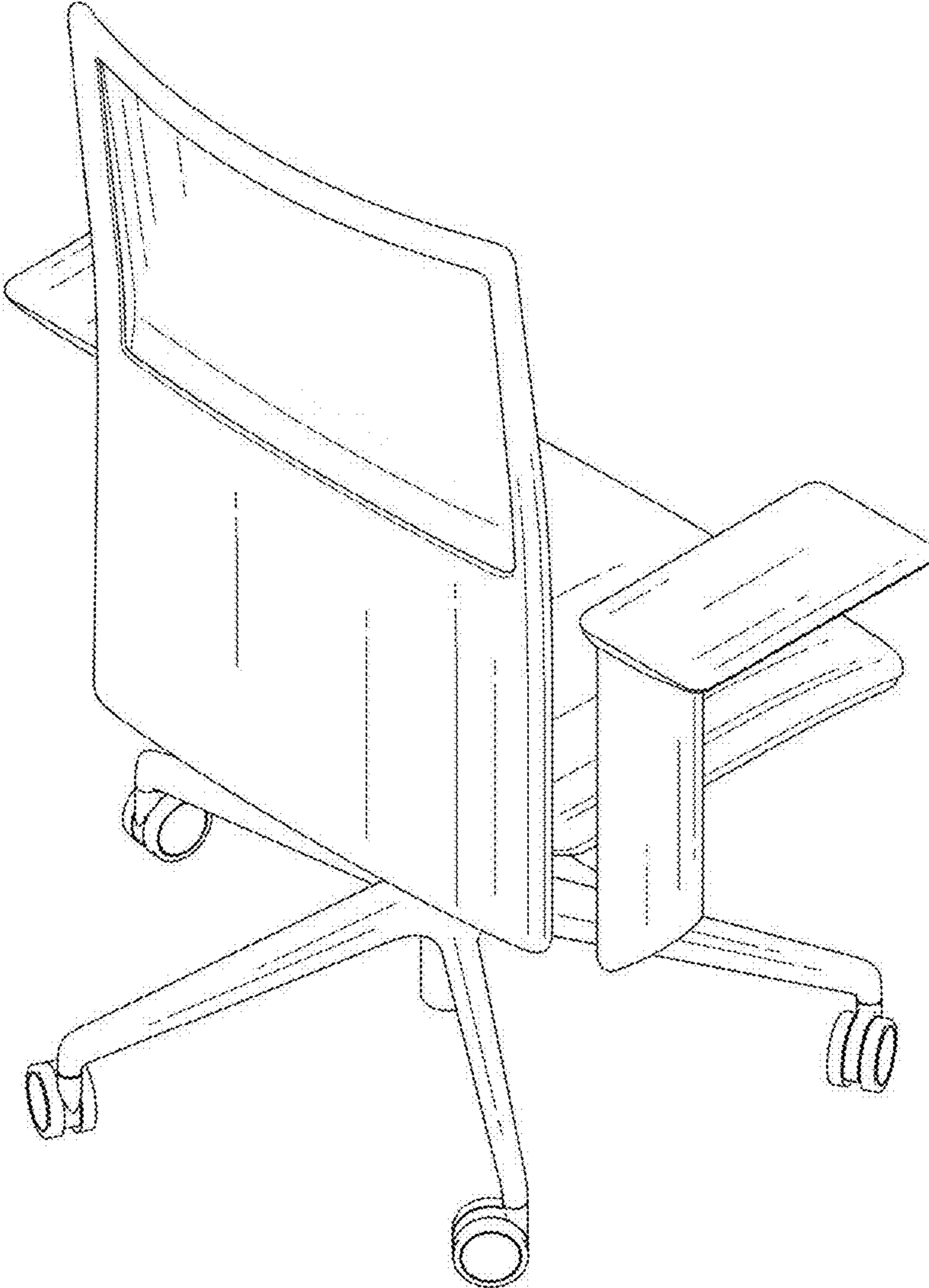
**1 Claim, 7 Drawing Sheets**



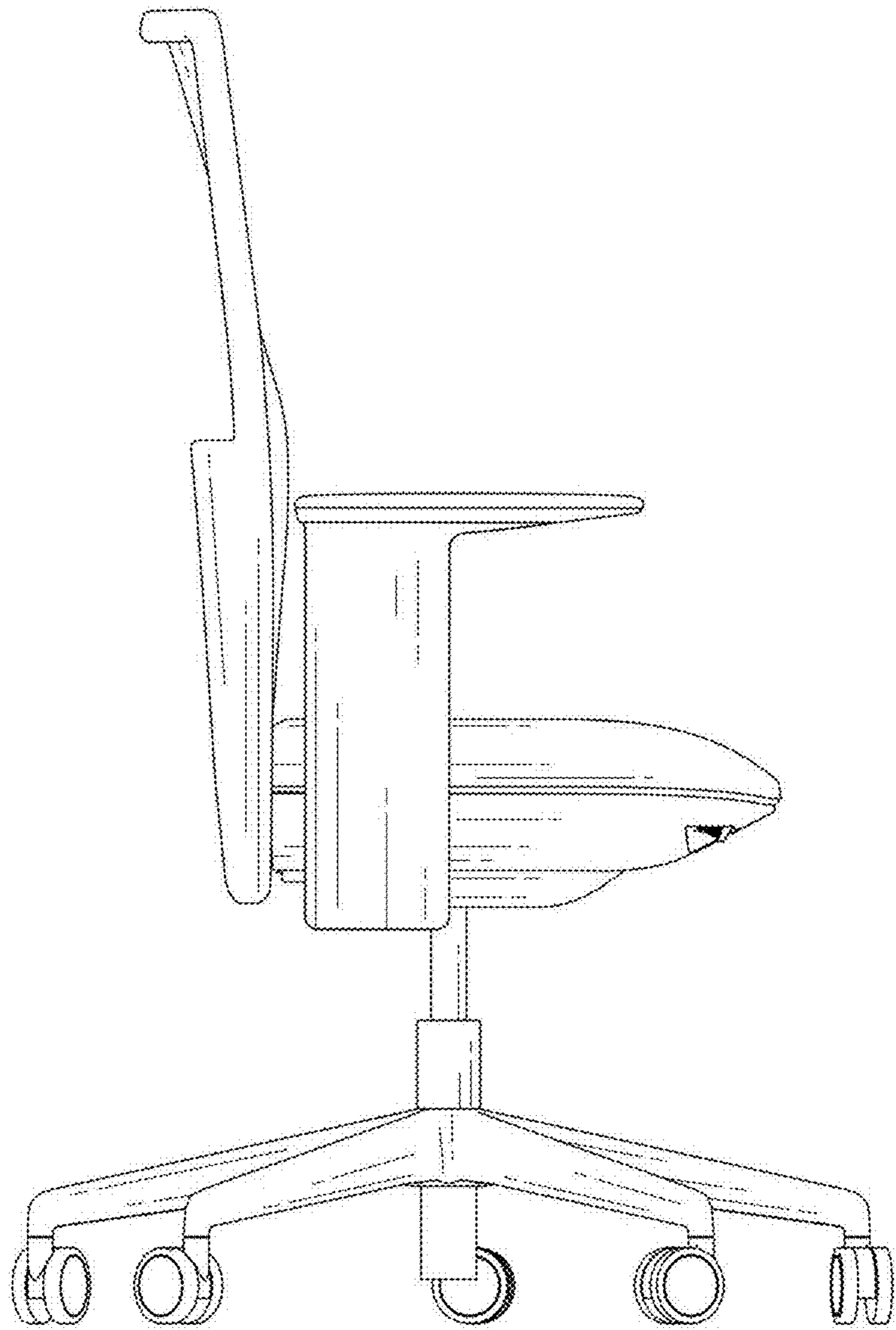
1.1



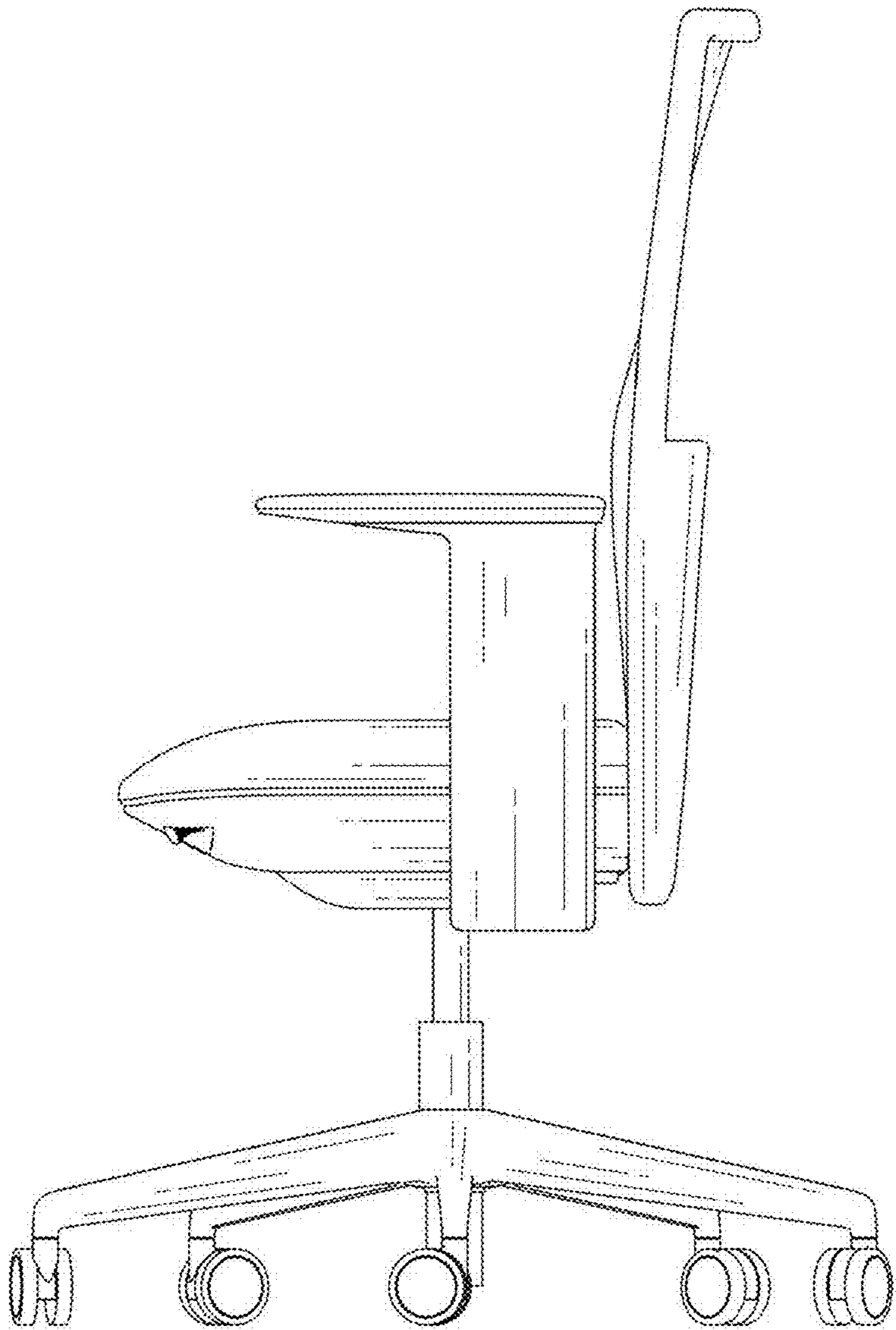
1.2



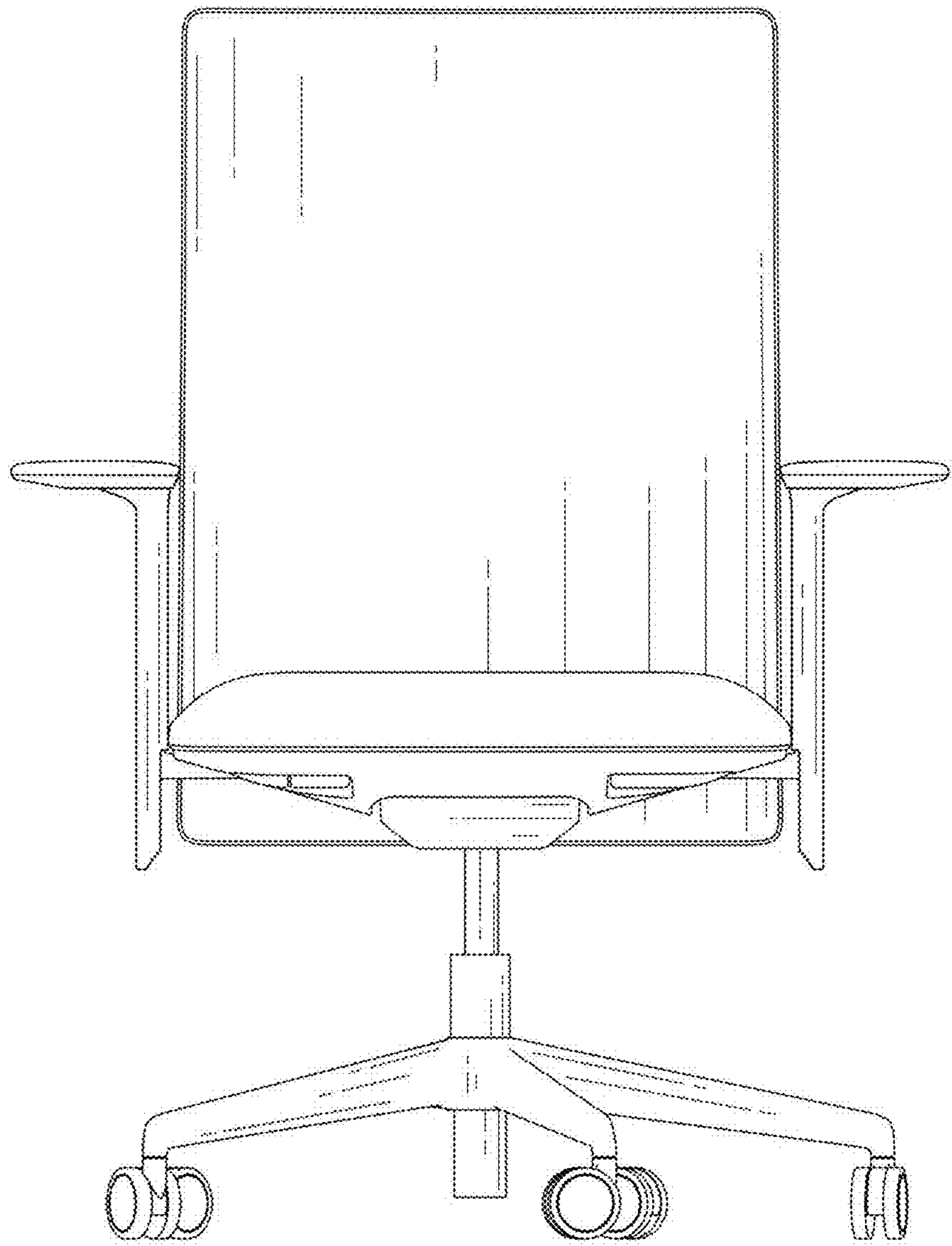
1.3



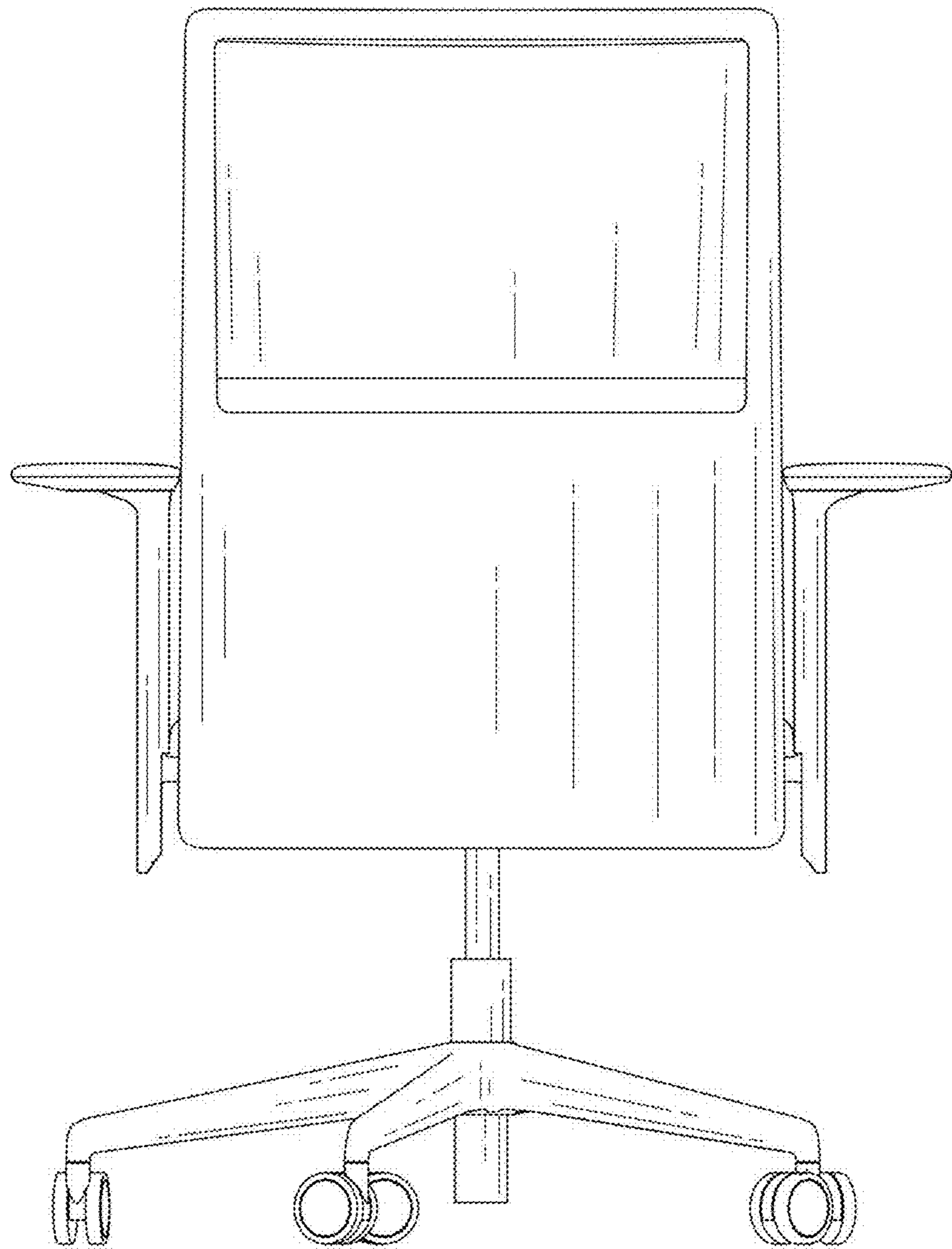
1.4



1.5



1.6



1.7

