



US00D900495S

(12) **United States Design Patent** (10) **Patent No.:** **US D900,495 S**
Zhou (45) **Date of Patent:** **** Nov. 3, 2020**

(54) **INFLATABLE CAMPING RECLINER**
(71) Applicant: **Wuyi Instinct Outdoor Products CO., Ltd., Zhejiang (CN)**
(72) Inventor: **Xiao'ou Zhou, Zhejiang (CN)**
(**) Term: **15 Years**
(21) Appl. No.: **29/705,421**

D524,385 S * 7/2006 Webb D21/687
D777,461 S * 1/2017 Hashemi D6/361
D809,311 S * 2/2018 Cai D6/361
D832,618 S * 11/2018 Inirio D6/601
D833,162 S * 11/2018 Schnermann D6/361
D846,905 S * 4/2019 Ashworth D6/361
D850,136 S * 6/2019 Haugh D6/371
D856,712 S * 8/2019 Xiao D6/604
D865,398 S * 11/2019 Zhang D6/604
D885,792 S * 6/2020 Peng D6/601
D890,536 S * 7/2020 Schnermann D6/361

(22) Filed: **Sep. 12, 2019**
(30) **Foreign Application Priority Data**
Mar. 12, 2019 (CN) 2019 3 0099211
(51) **LOC (12) Cl.** **06-01**
(52) **U.S. Cl.**
USPC **D6/361**
(58) **Field of Classification Search**
USPC D6/334, 349, 360, 361, 364, 374, 375,
D6/382, 601, 604
CPC A47C 4/54; A47C 15/006; A47C 17/02;
A47C 17/16
See application file for complete search history.

FOREIGN PATENT DOCUMENTS

FR 1021956 A * 2/1953 A47C 4/54
* cited by examiner

Primary Examiner — R. Johnson
(74) *Attorney, Agent, or Firm* — Prakash Nama; Global IP Services, PLLC

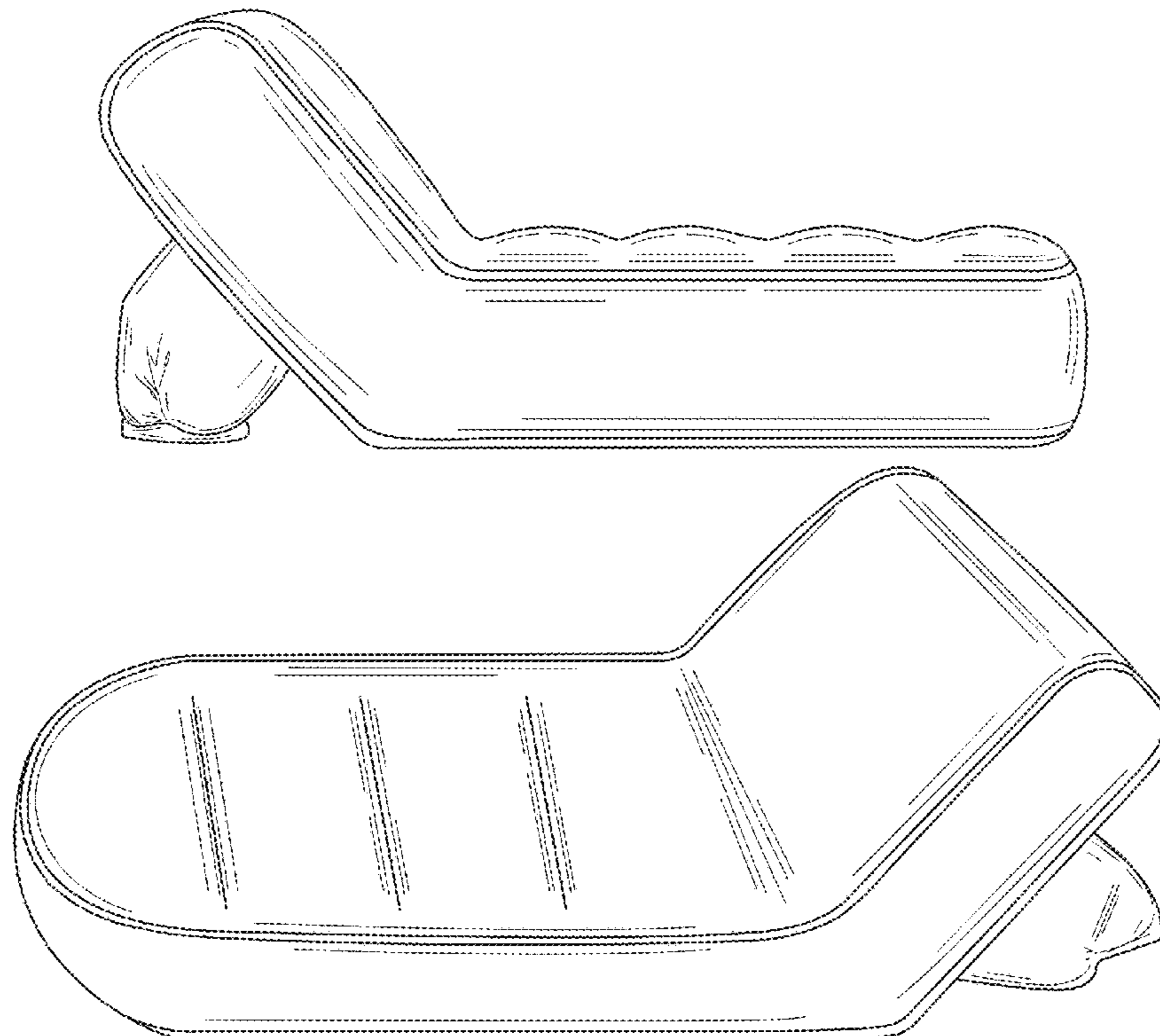
(57) **CLAIM**
The ornamental design for an inflatable camping recliner, as shown.

DESCRIPTION

FIG. 1 is a top plan view of an inflatable camping recliner showing my new design;
FIG. 2 is a rear elevational view thereof;
FIG. 3 is a perspective view thereof;
FIG. 4 is another perspective view thereof;
FIG. 5 is a right side view thereof;
FIG. 6 is a front elevational view thereof; and,
FIG. 7 is a left side view thereof.

1 Claim, 7 Drawing Sheets

(56) **References Cited**
U.S. PATENT DOCUMENTS
3,680,917 A * 8/1972 Harris A47C 4/54
297/452.41
D406,870 S * 3/1999 Bauman D21/803
D490,493 S * 5/2004 Peterson D21/803
D491,994 S * 6/2004 Peterson D21/803



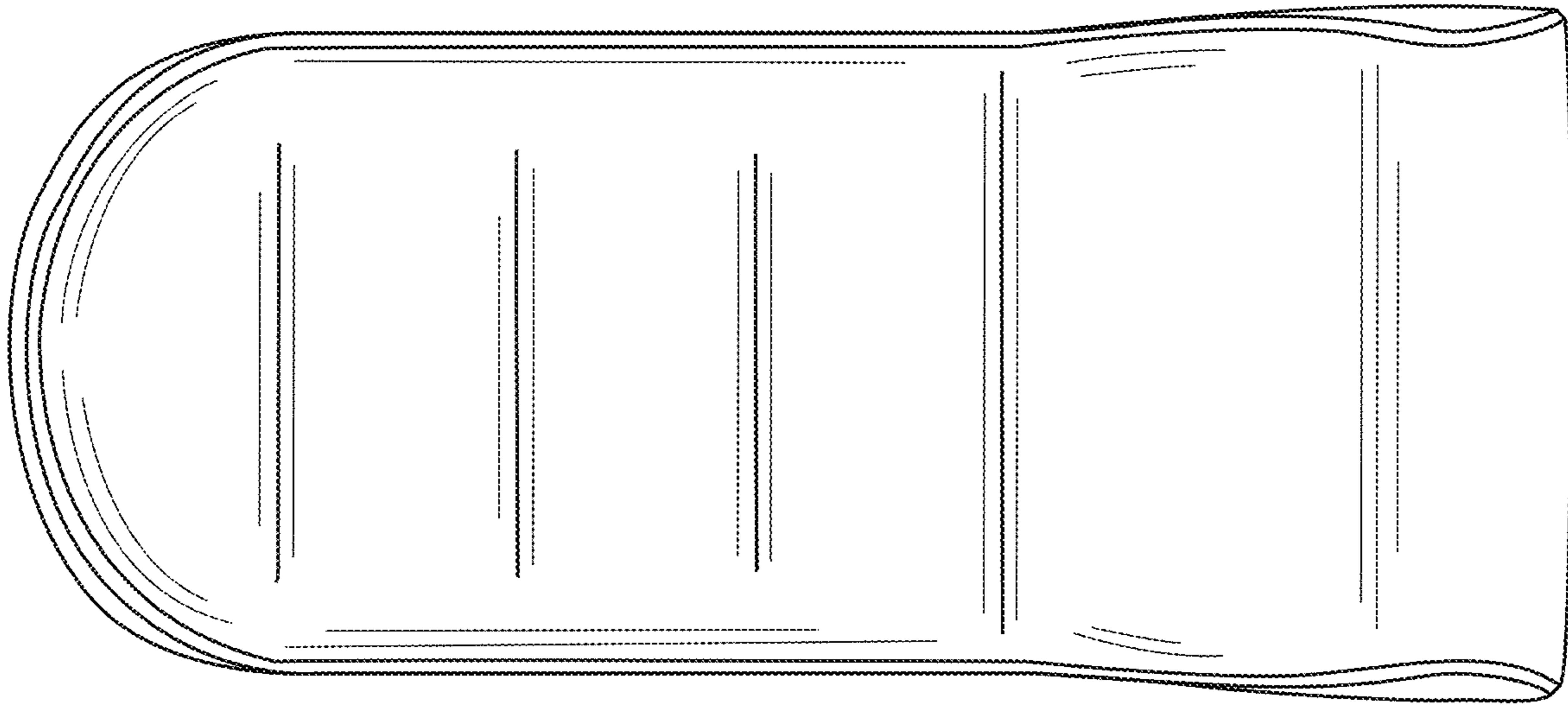


FIG.1

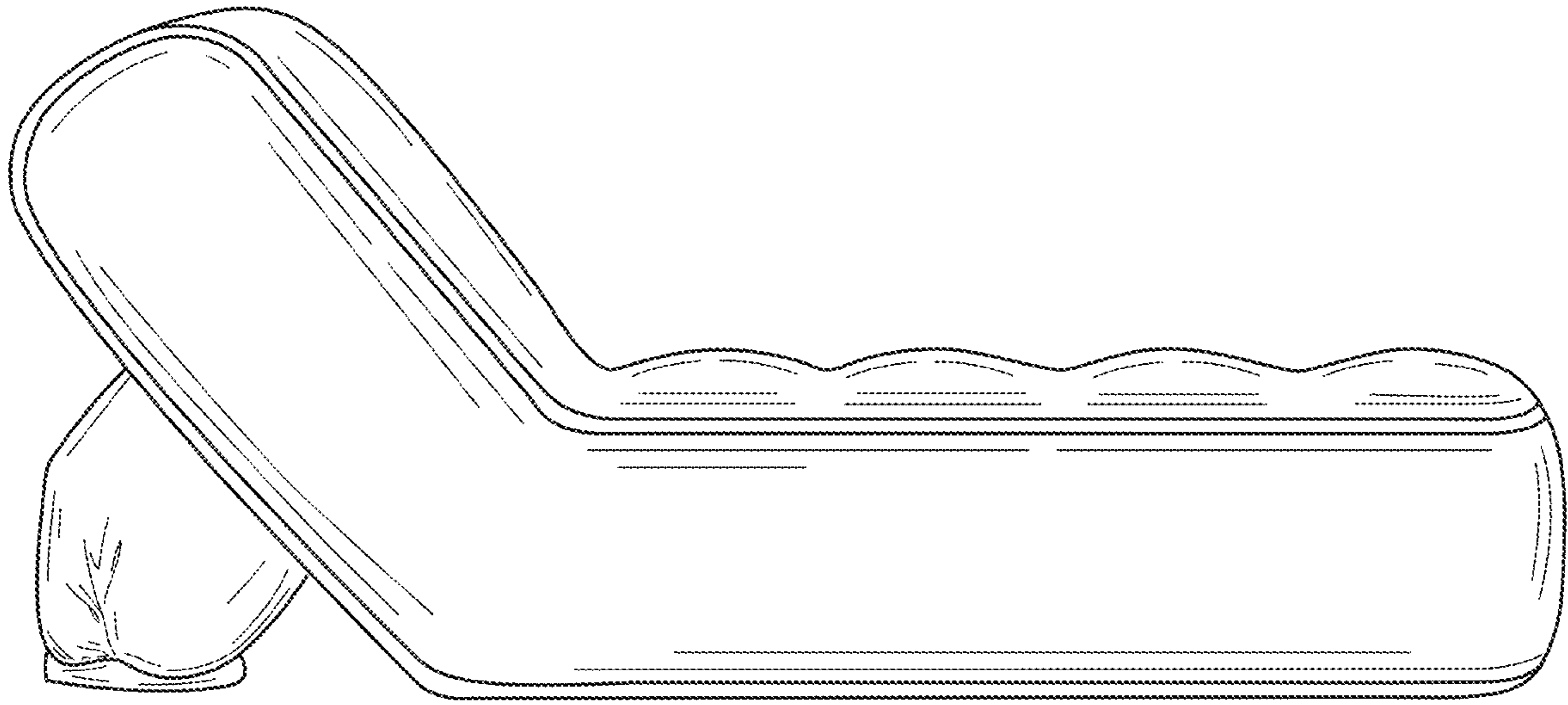


FIG.2

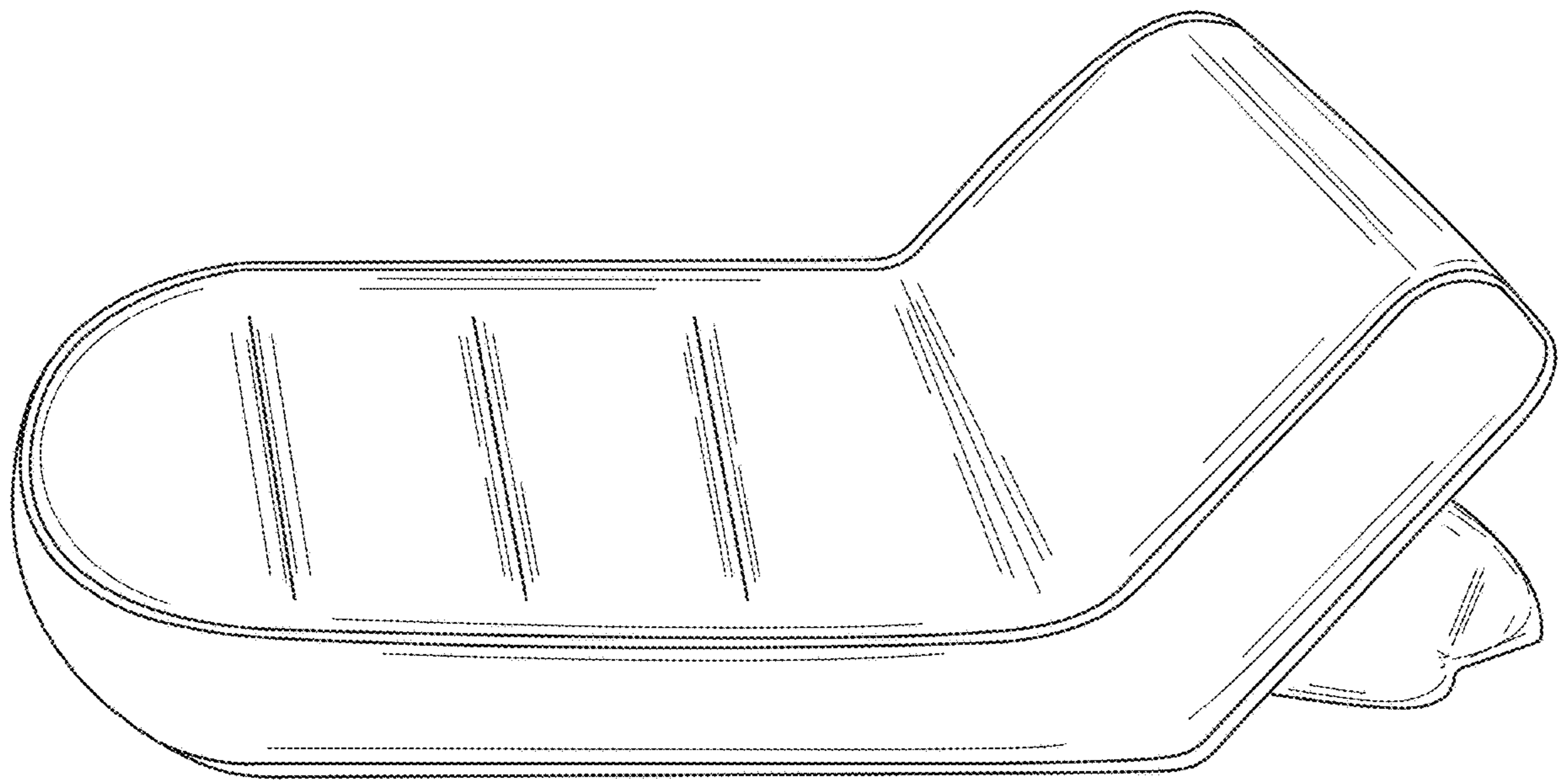


FIG.3

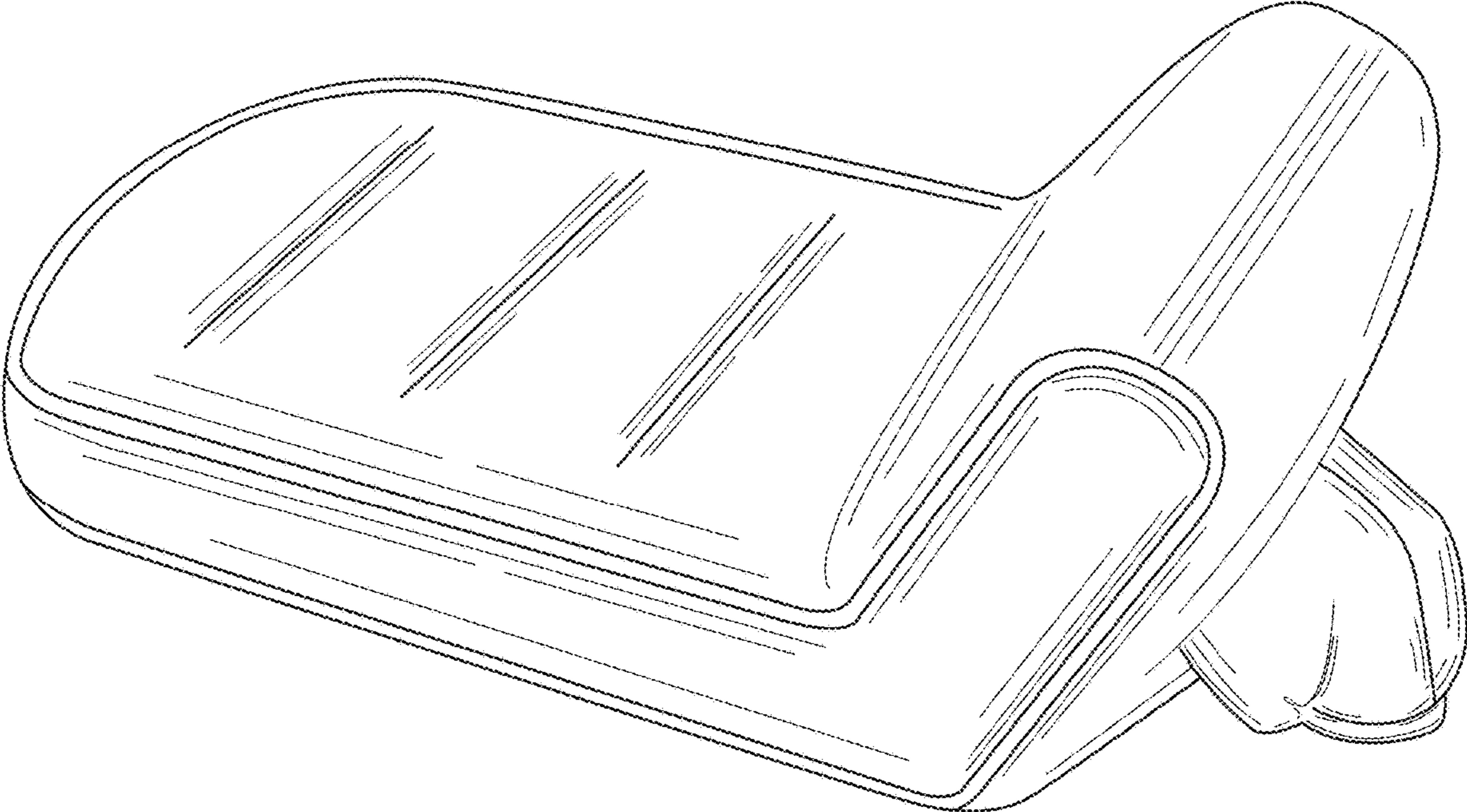


FIG.4

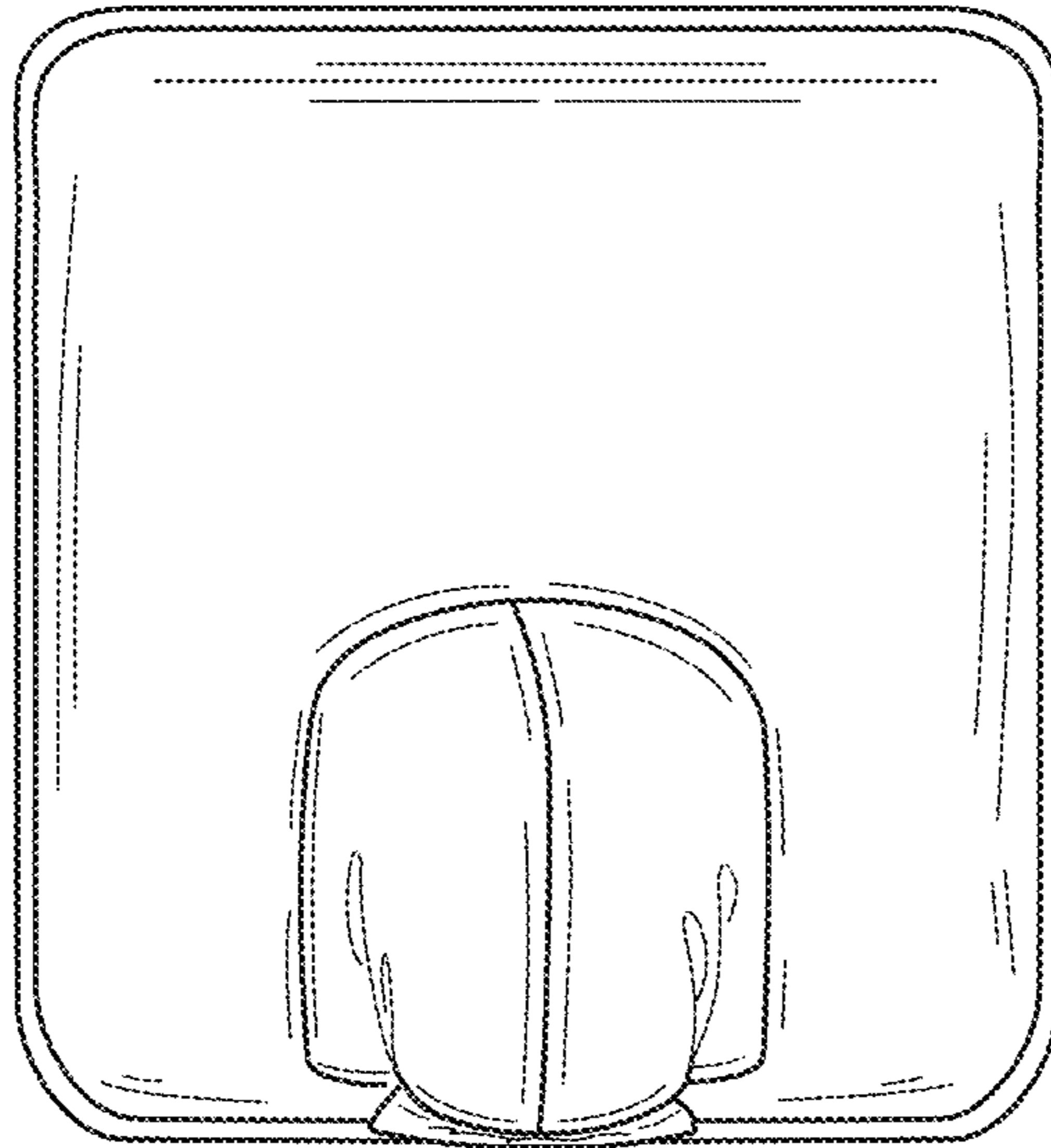


FIG.5

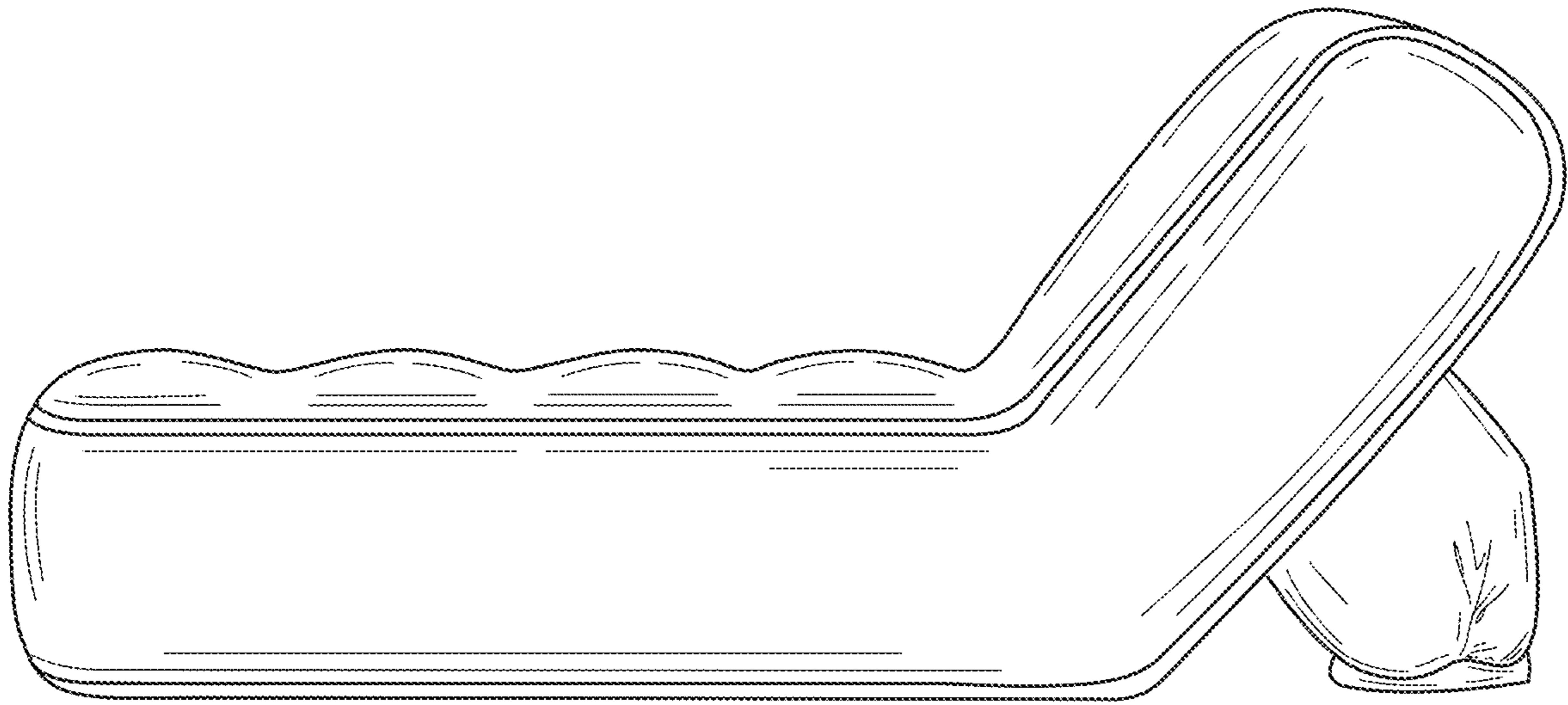


FIG.6

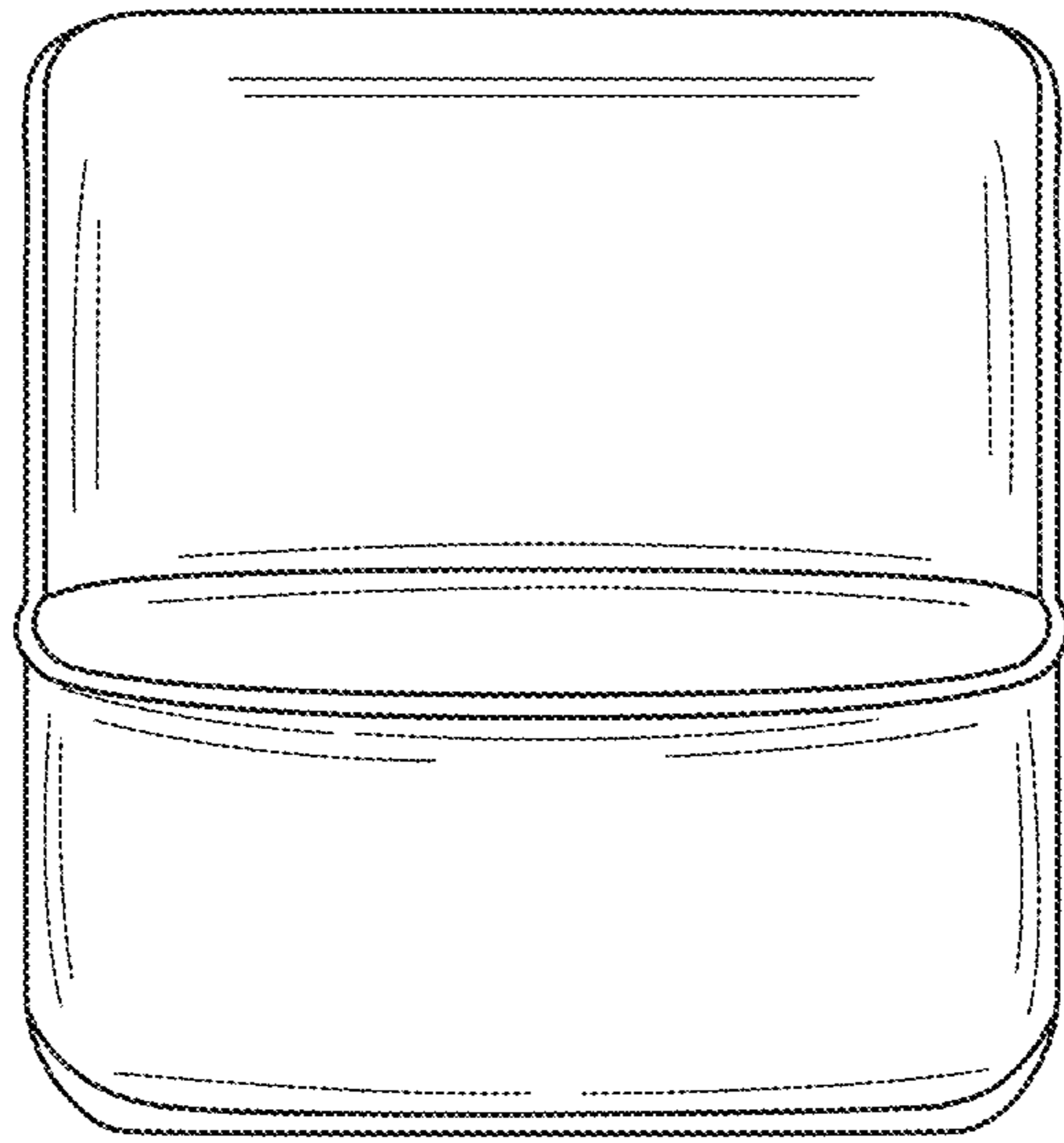


FIG.7