



US00D900494S

(12) **United States Design Patent**
Tsai

(10) **Patent No.:** **US D900,494 S**

(45) **Date of Patent:** **** Nov. 3, 2020**

(54) **ADJUSTABLE BAR STOOL**

(71) Applicant: **Leader International Holdings Limited**, Hong Kong (CN)

(72) Inventor: **Jerry Tsai**, Xiamen (CN)

(73) Assignee: **LEADER INTERNATIONAL HOLDINGS LIMITED**, Hong Kong (CN)

(**) Term: **15 Years**

(21) Appl. No.: **29/695,390**

(22) Filed: **Jun. 19, 2019**

(51) **LOC (12) Cl.** **06-01**

(52) **U.S. Cl.**
USPC **D6/360**

(58) **Field of Classification Search**
USPC D6/334, 349, 360, 362, 374-377, 379, D6/381, 716, 716.1, 719.3
CPC .. A47C 1/00; A47C 1/02; A47C 1/024; A47C 1/028; A47C 1/037; A47C 3/00; A47C 3/04; A47C 3/14; A47C 3/20; A47C 7/002; A47C 7/16; A47C 7/18; A47C 4/04; A47C 4/08; A47C 4/18; A47C 4/28; A47C 4/54; A47C 11/00; A47C 9/007; A47C 13/00; A47C 15/002; A47C 17/02; A47C 31/11

See application file for complete search history.

(56) **References Cited**

U.S. PATENT DOCUMENTS

D451,718 S * 12/2001 Tseng D6/366
D454,014 S * 3/2002 Su D6/366

D473,408 S * 4/2003 Chen D6/366
D481,231 S * 10/2003 True D6/366
D491,394 S * 6/2004 Lee D6/716
D508,351 S * 8/2005 True D6/365
D508,352 S * 8/2005 True D6/366
D771,423 S * 11/2016 Kubryk D6/716
D824,689 S * 8/2018 Jongerius D6/375
D834,359 S * 11/2018 Yuglich D6/716
D859,014 S * 9/2019 Lopez D6/334
D884,379 S * 5/2020 Killinger D6/374

* cited by examiner

Primary Examiner — R. Johnson

(74) *Attorney, Agent, or Firm* — Bayramoglu Law Offices LLC

(57) **CLAIM**

The ornamental design for an adjustable bar stool, as shown and described.

DESCRIPTION

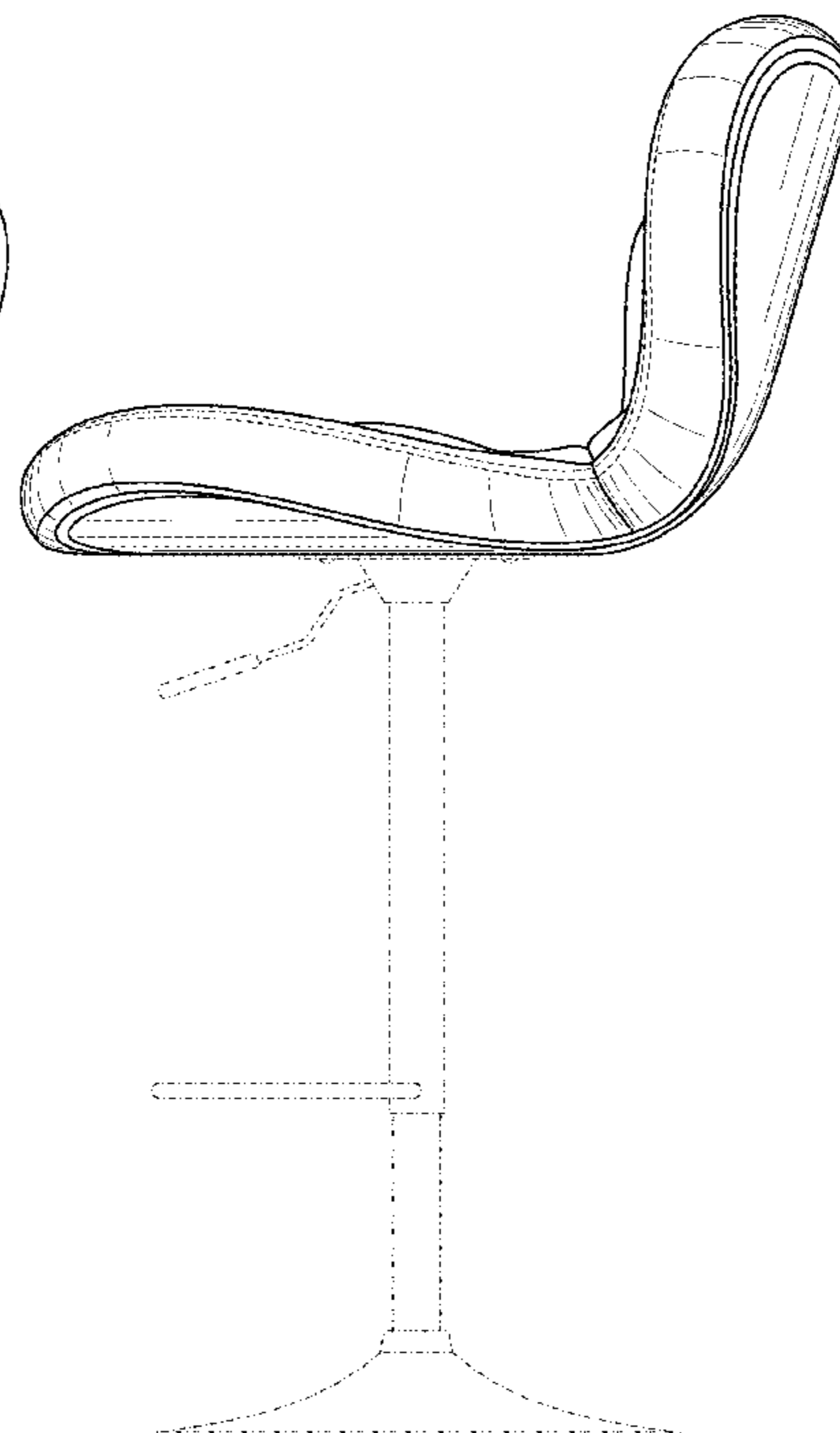
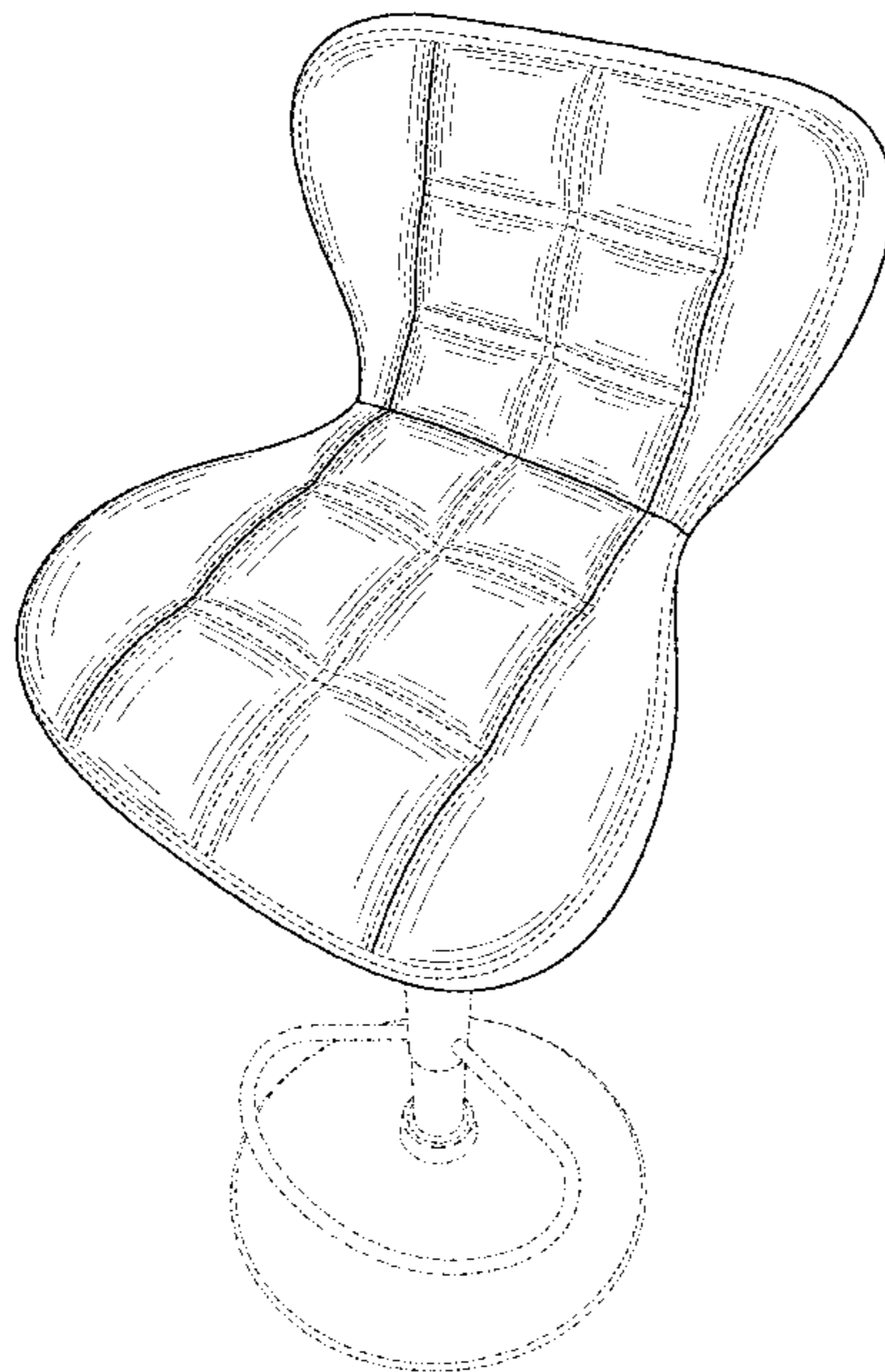
FIG. 1 is a perspective view of an adjustable bar stool showing my new design;
FIG. 2 is a right side elevation view thereof;
FIG. 3 is a left side elevation view thereof;
FIG. 4 is a front elevation view thereof;
FIG. 5 is a rear elevation view thereof; and,
FIG. 6 is a top plan view thereof.

A bottom plan view is omitted since the bottom plan view is invisible in normal use.

Dashed lines shown on the surface of the adjustable bar stool are understood to represent stitching.

The dot-dash lines showing of the stool leg is for the purpose of illustrating the environmental structure and forms no part of the claimed design.

1 Claim, 6 Drawing Sheets



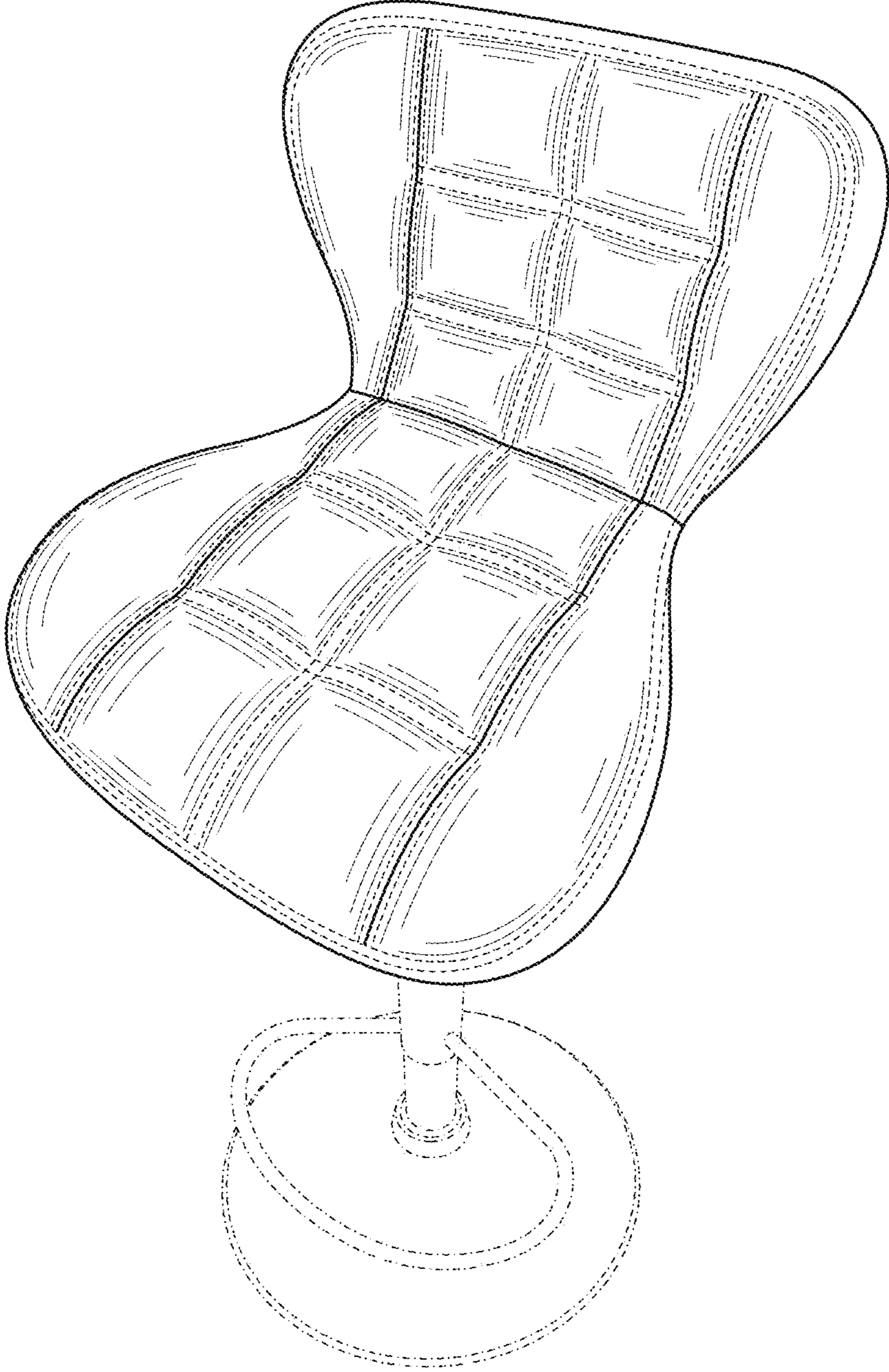


Fig. 1

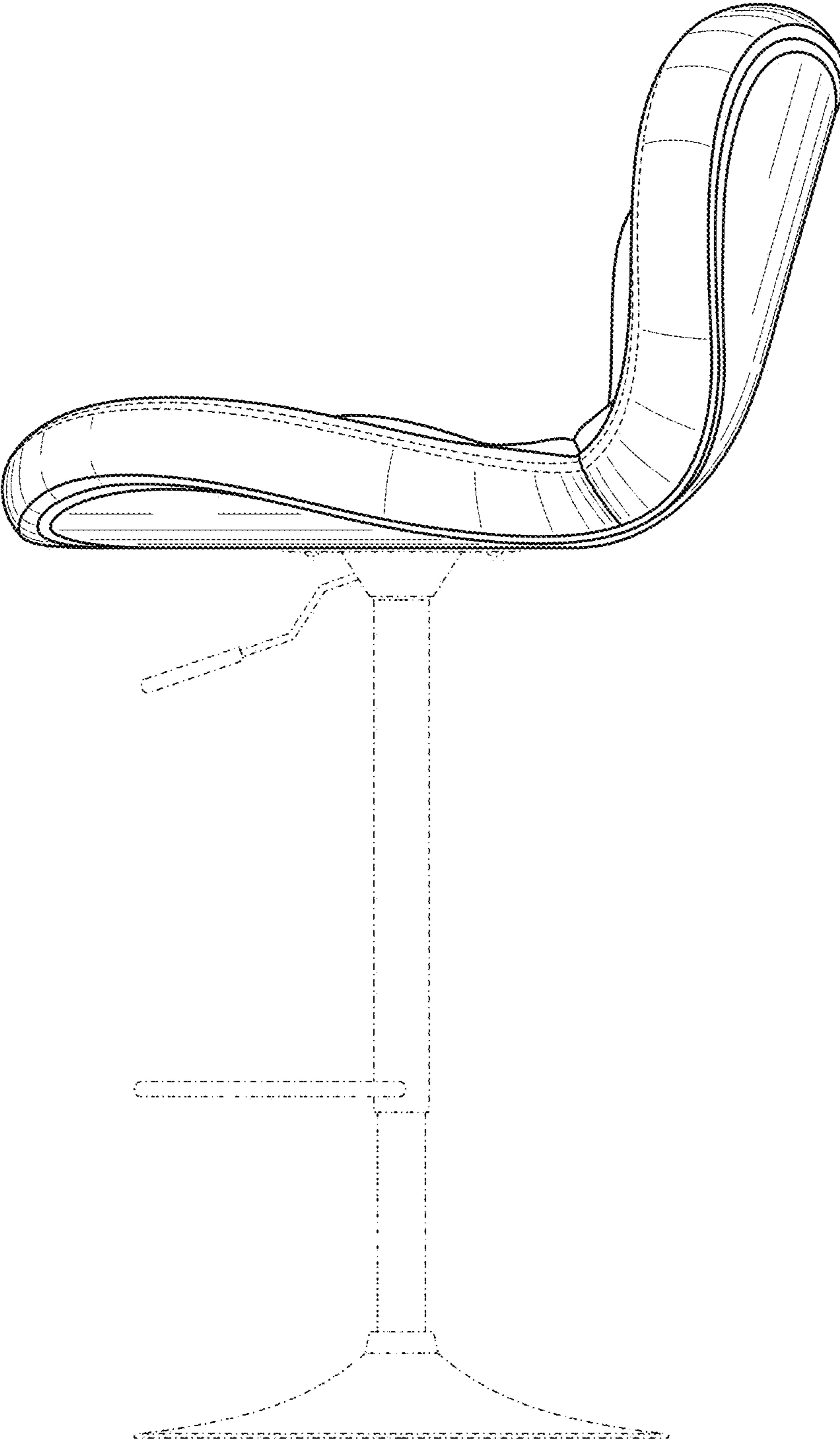


Fig. 2

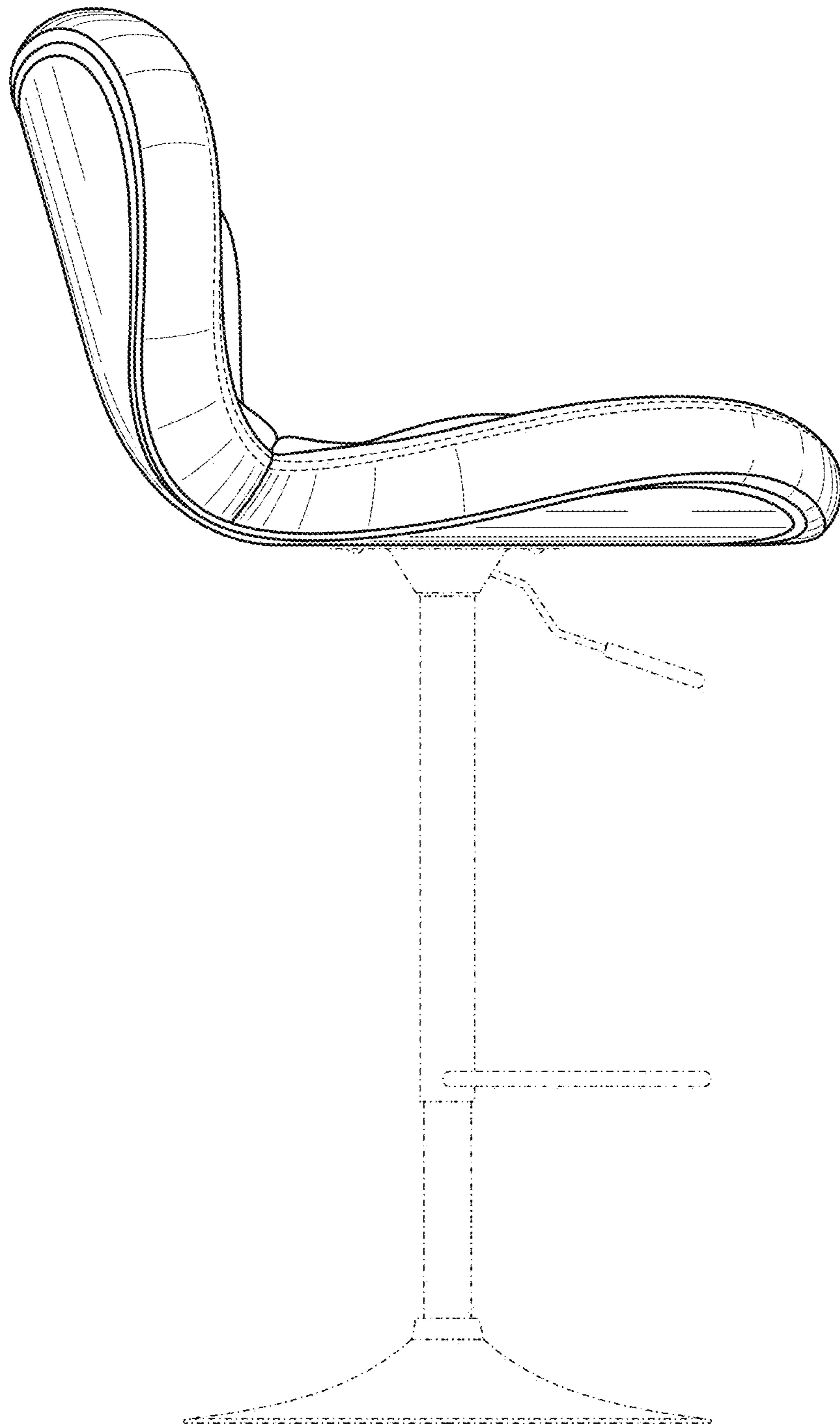


Fig. 3

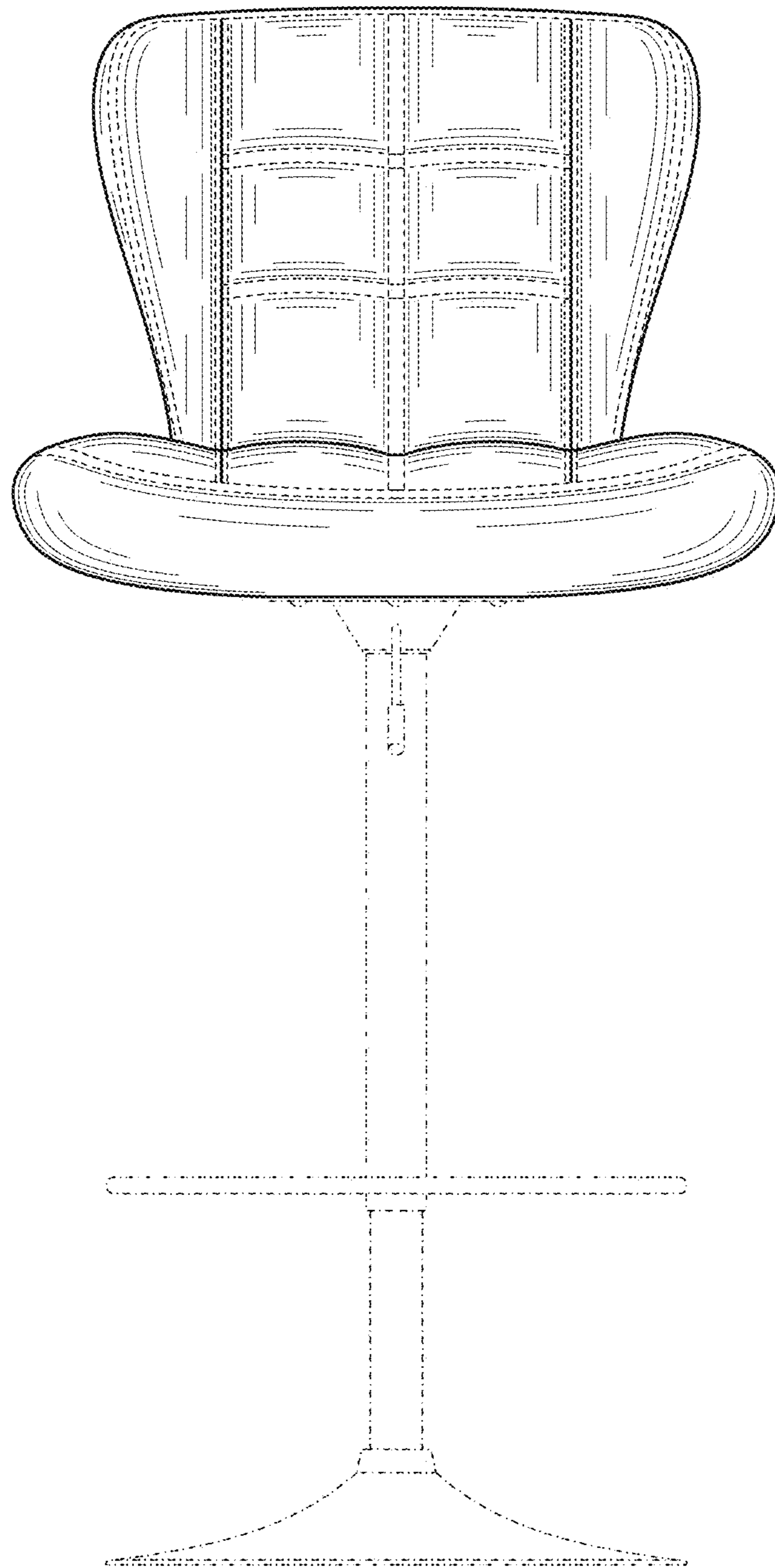


Fig. 4

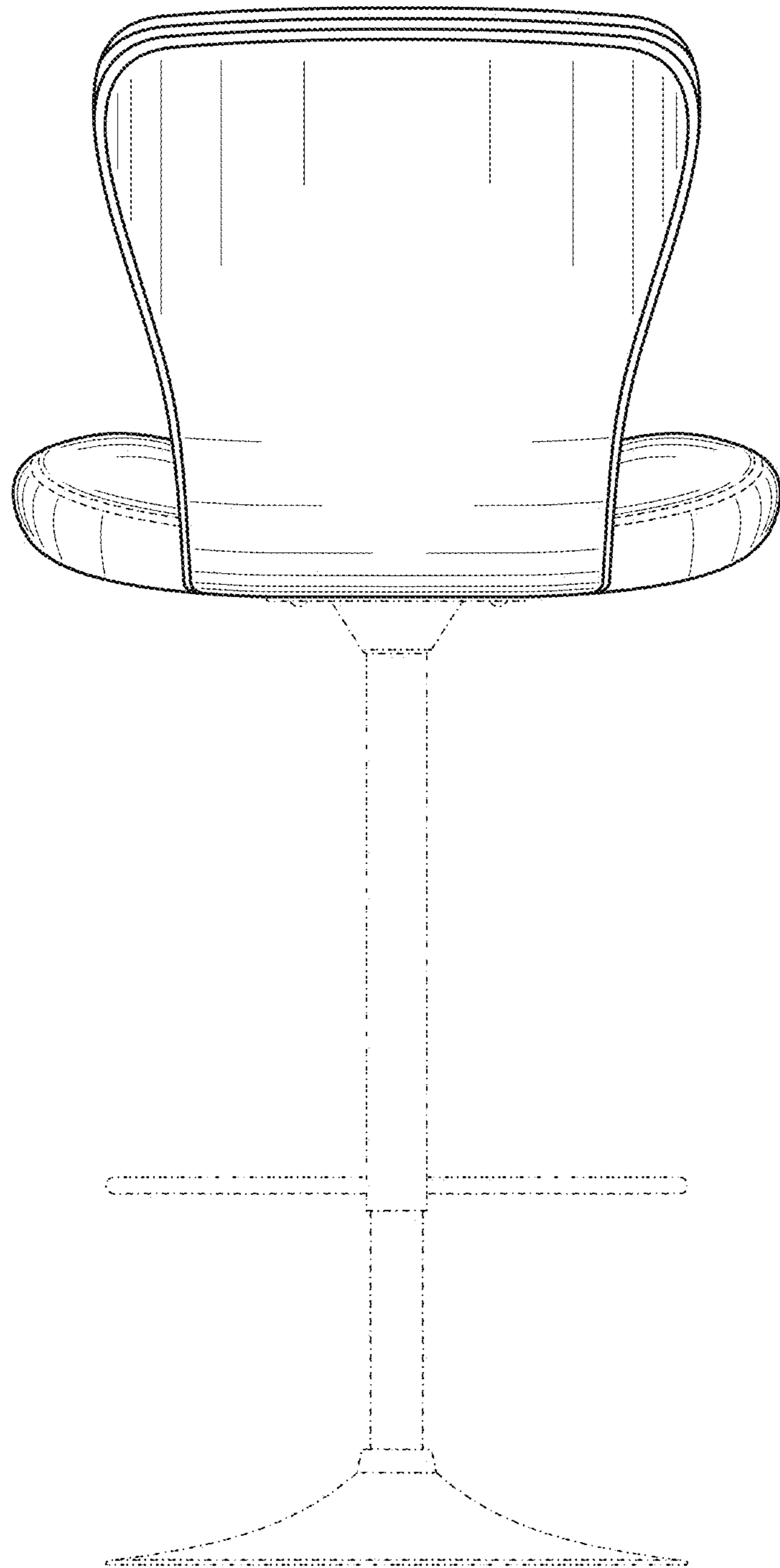


Fig. 5

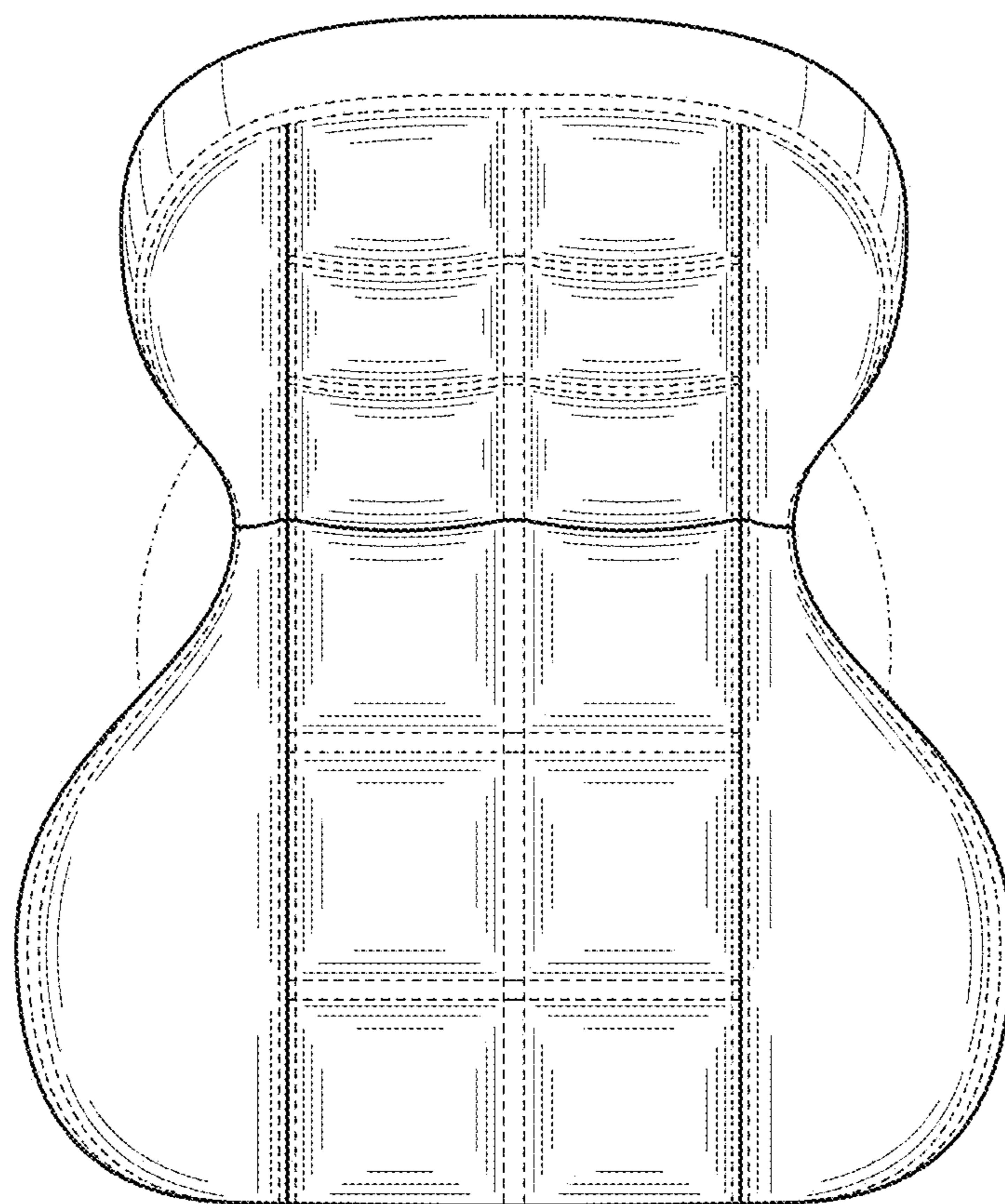


Fig. 6

UNITED STATES PATENT AND TRADEMARK OFFICE
CERTIFICATE OF CORRECTION

PATENT NO. : D900,494 S
APPLICATION NO. : 29/695390
DATED : November 3, 2020
INVENTOR(S) : Jerry Tsai

Page 1 of 1

It is certified that error appears in the above-identified patent and that said Letters Patent is hereby corrected as shown below:

On the Title Page

Item (54), after "ADJUSTABLE BAR STOOL" insert -- WITH SHELL-SHAPED BACK --

Signed and Sealed this
Twenty-sixth Day of January, 2021



Drew Hirshfeld
*Performing the Functions and Duties of the
Under Secretary of Commerce for Intellectual Property and
Director of the United States Patent and Trademark Office*