



US00D900493S

(12) **United States Design Patent**
Mahiques

(10) **Patent No.:** **US D900,493 S**

(45) **Date of Patent:** **** Nov. 3, 2020**

(54) **FOLDING STOOL**

(71) Applicant: **Casa Vigar SL**, Gata de Gorgos
(Alicante) (ES)

(72) Inventor: **Vicente Garcia Mahiques**, Gata de
Gorgos (ES)

(73) Assignee: **Casa Vigar SL** (ES)

(**) Term: **15 Years**

(21) Appl. No.: **29/644,384**

(22) Filed: **Apr. 17, 2018**

(30) **Foreign Application Priority Data**

Oct. 17, 2017 (EM) 004409340-0001

(51) **LOC (12) Cl.** **06-01**

(52) **U.S. Cl.**
USPC **D6/353**

(58) **Field of Classification Search**
USPC D25/65, 62, 63; D6/353, 349; 108/124,
108/129, 130, 131, 132; 297/44, 42,
297/16.1, 423.1, 423.11, 423.14, 423.16
CPC A47C 12/00; A47C 13/00
See application file for complete search history.

(56) **References Cited**

U.S. PATENT DOCUMENTS

D265,026 S 6/1982 Macho et al.
4,630,861 A 12/1986 Henschel
D347,527 S 6/1994 Breen et al.
D355,828 S 2/1995 Dickinson et al.
D460,566 S 7/2002 Henschel et al.
D553,372 S 10/2007 Henschel
D639,080 S * 6/2011 Van Der Lande D6/353

D644,032 S * 8/2011 Eveleth D6/353
D665,180 S * 8/2012 Ekelchik D6/353
D668,070 S * 10/2012 Kim D6/353
8,701,830 B2 * 4/2014 Merey E06C 1/383
108/92
D707,975 S * 7/2014 Habraken D6/353
10,271,655 B1 * 4/2019 Gwen A47C 4/10

* cited by examiner

Primary Examiner — Gino Colan

(74) *Attorney, Agent, or Firm* — St. Onge Steward
Johnston & Reens, LLC

(57) **CLAIM**

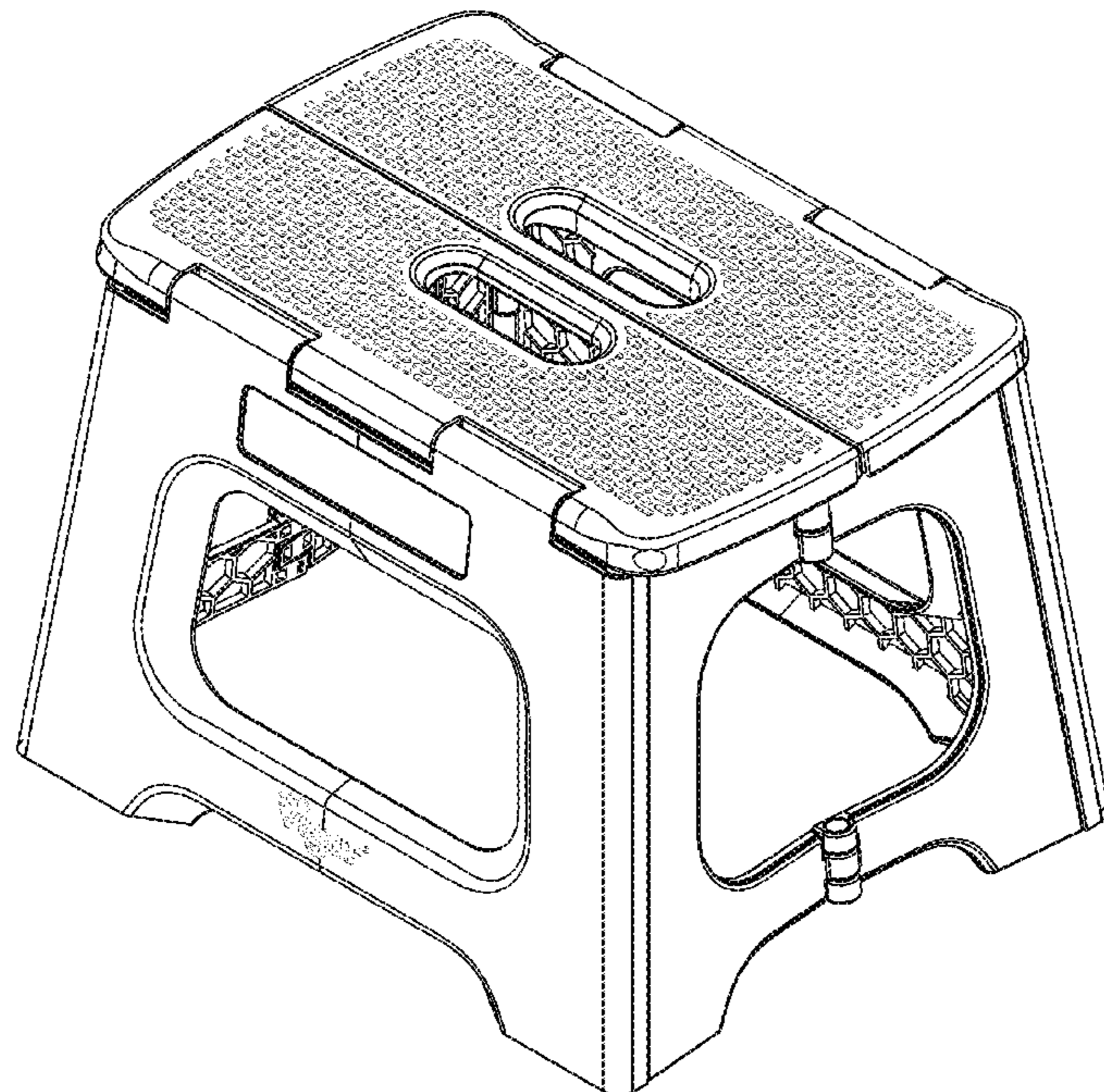
The ornamental design for a folding stool, as shown and described.

DESCRIPTION

FIG. 1 is a front isometric view of a folding stool showing my new design;
FIG. 2 is a front elevational view thereof, the rear elevational view being a mirror image thereof;
FIG. 3 is a top plan view thereof;
FIG. 4 is a bottom plan view thereof;
FIG. 5 is a left side elevational view thereof, the right side elevational view being a mirror image thereof;
FIG. 6 is a front left side isometric view of the folding stool of FIG. 1, shown in a folded configuration;
FIG. 7 is a right side elevational view thereof;
FIG. 8 is a front elevational view thereof; and,
FIG. 9 is a top plan view thereof.

The broken lines shown in FIGS. 1-8 are for the purpose of illustrating portions of the folding stool that form no part of the claimed design.

1 Claim, 9 Drawing Sheets



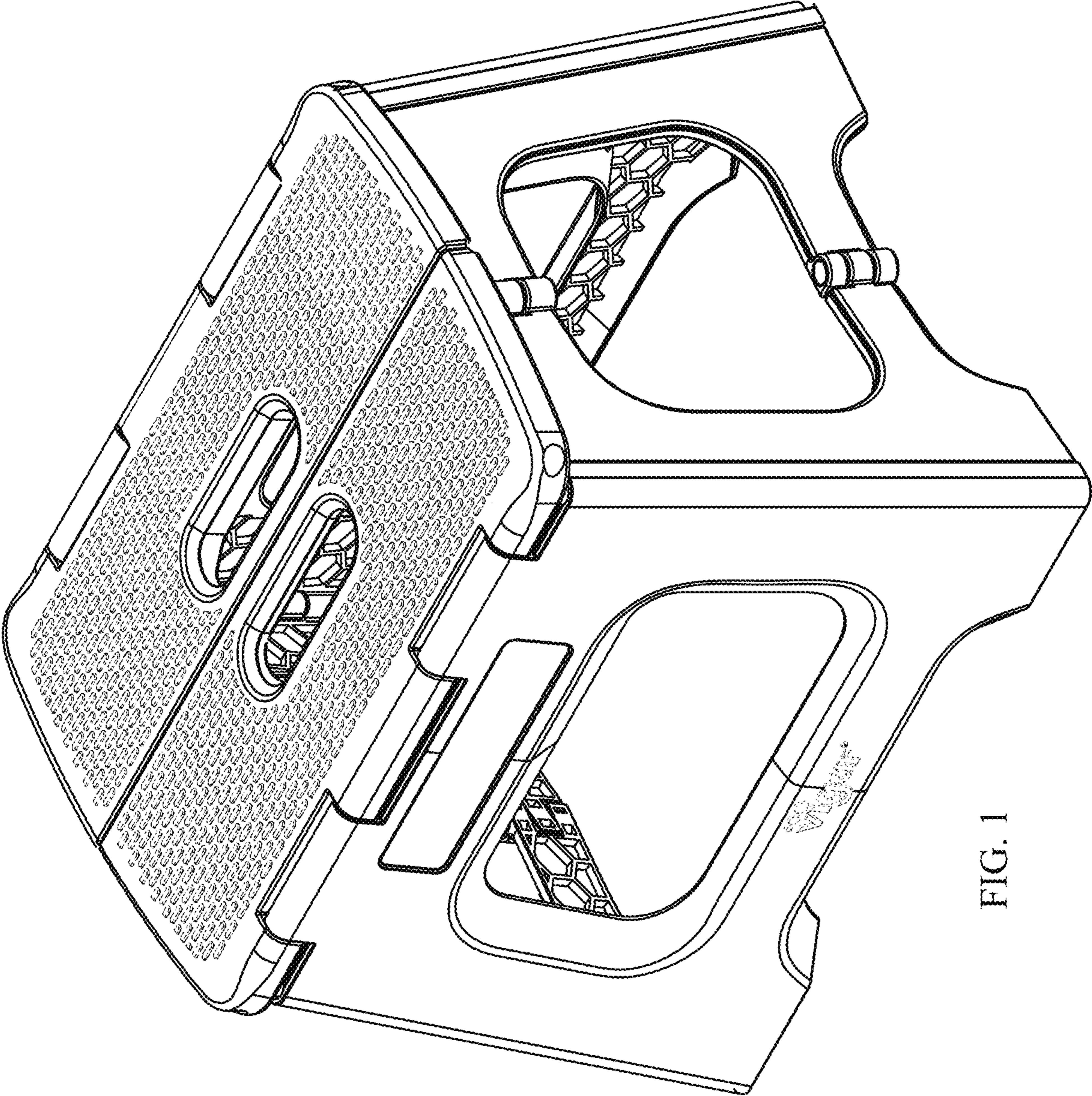


FIG. 1

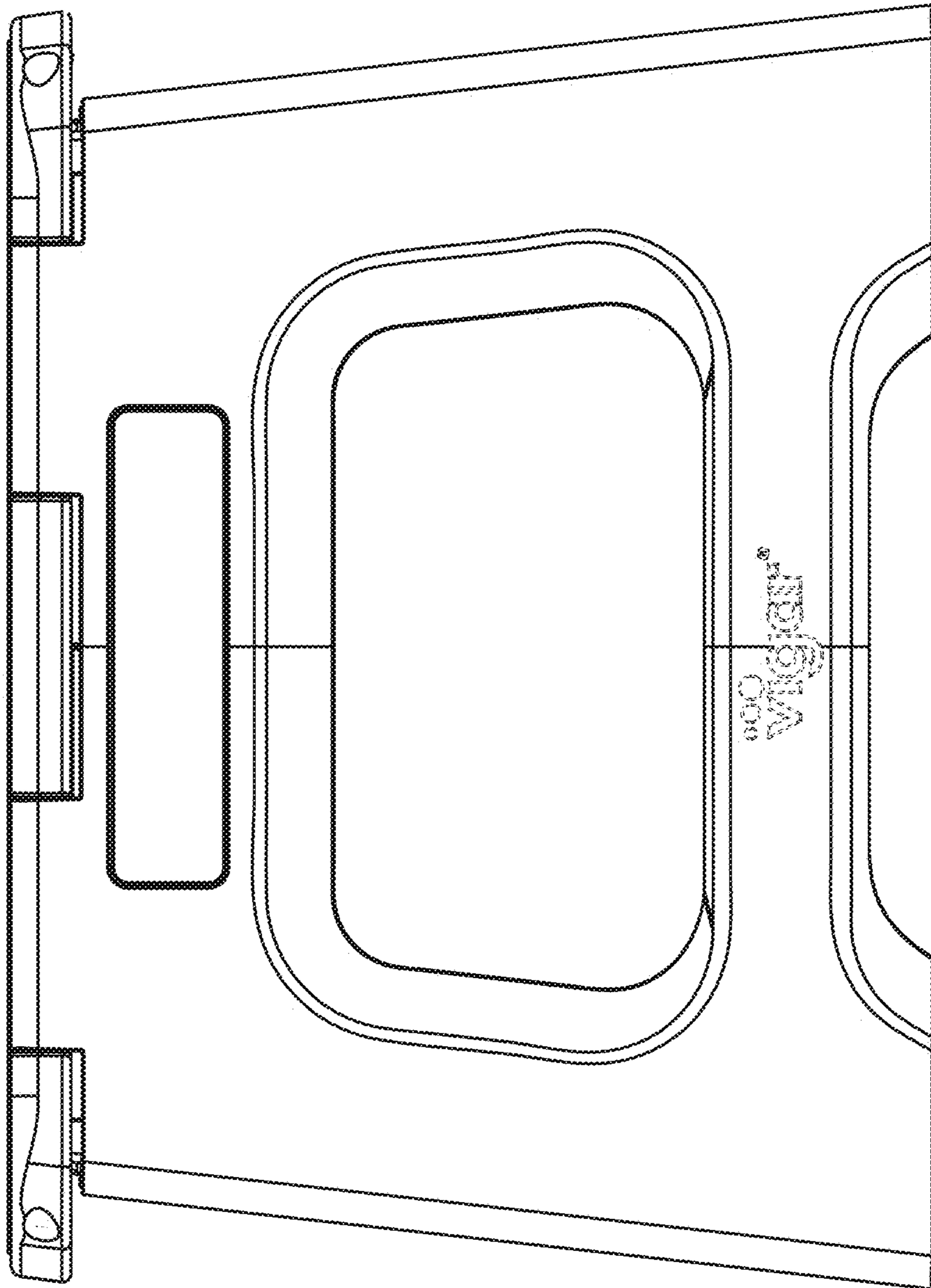


FIG. 2

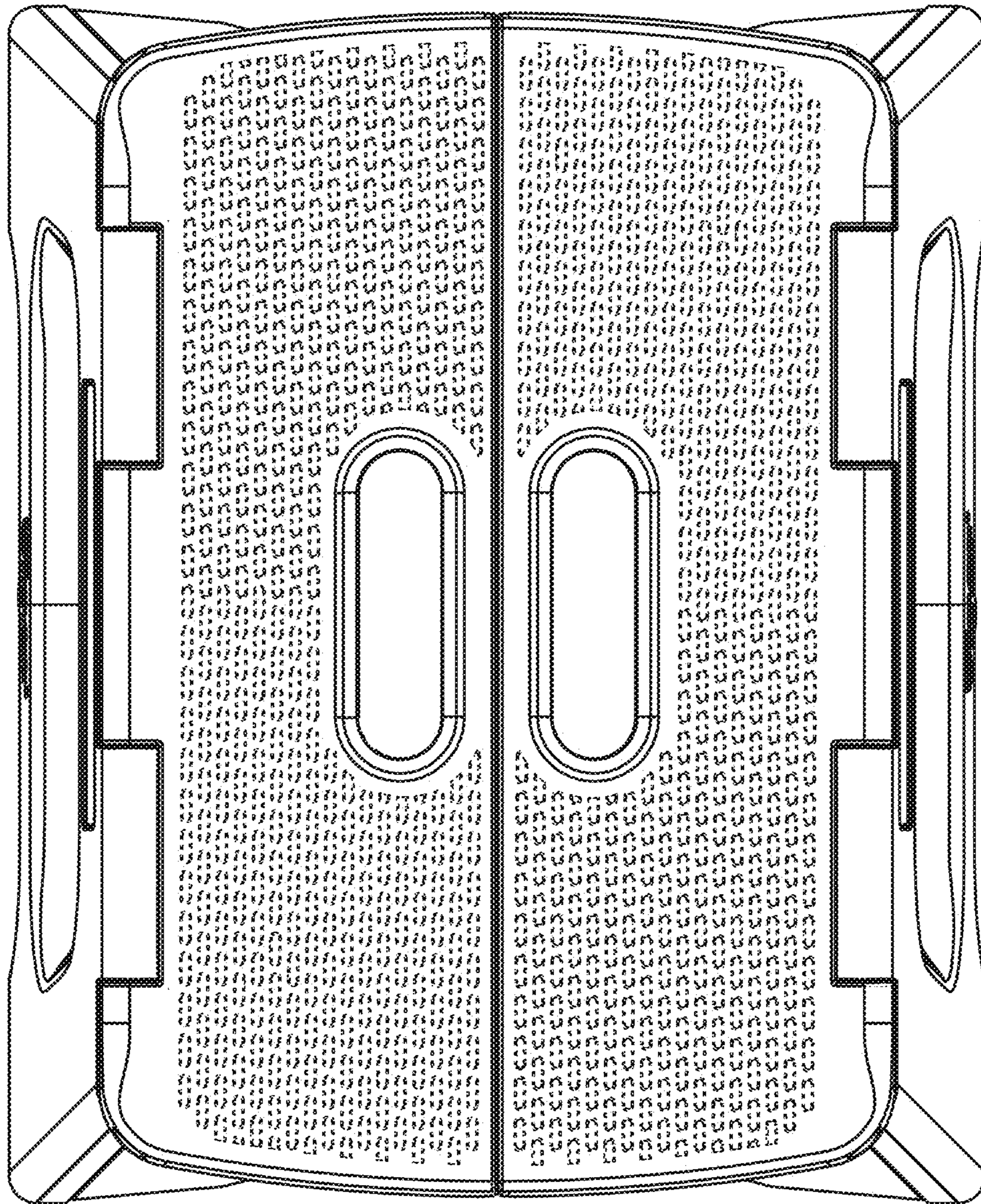


FIG. 3

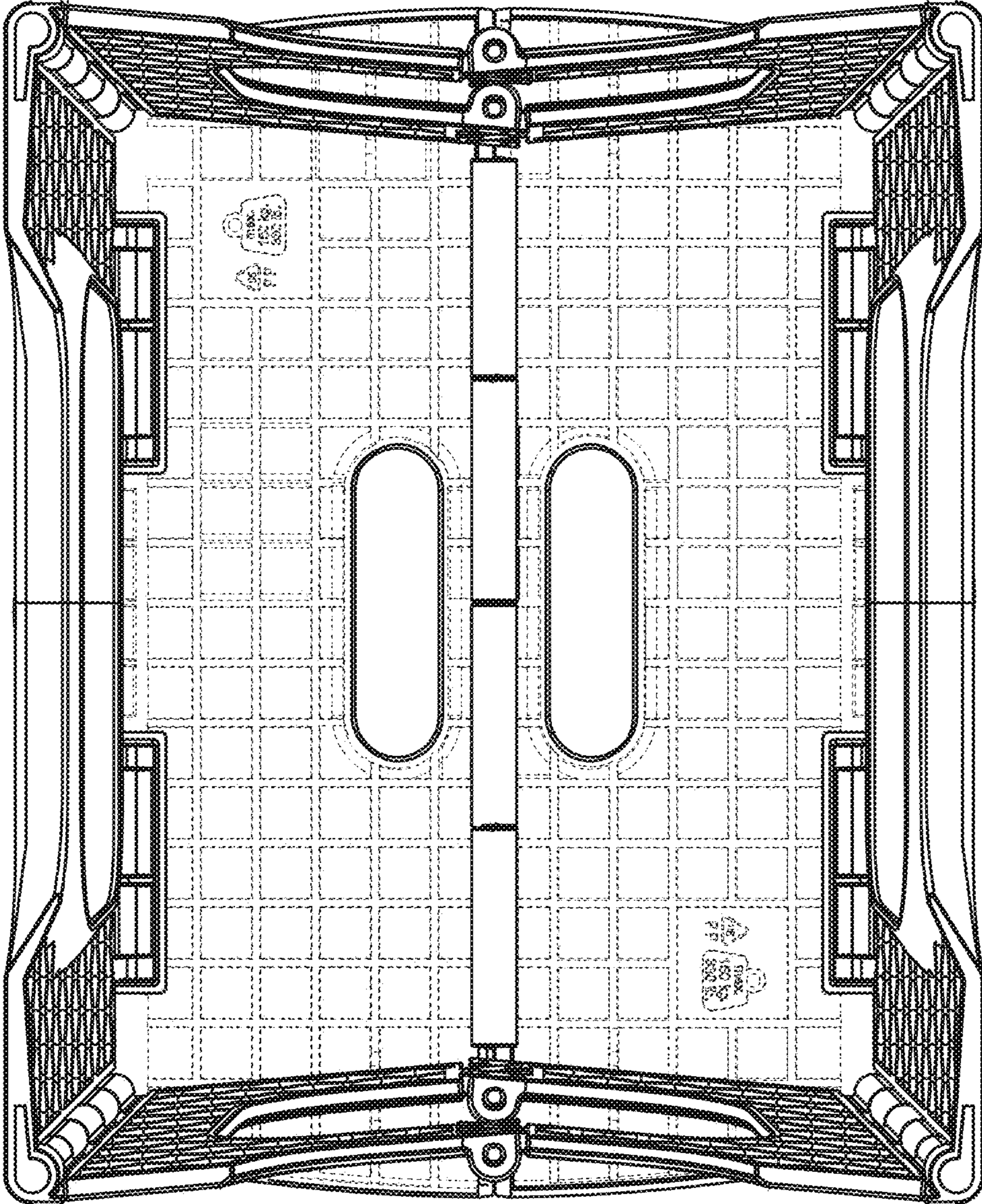


FIG. 4

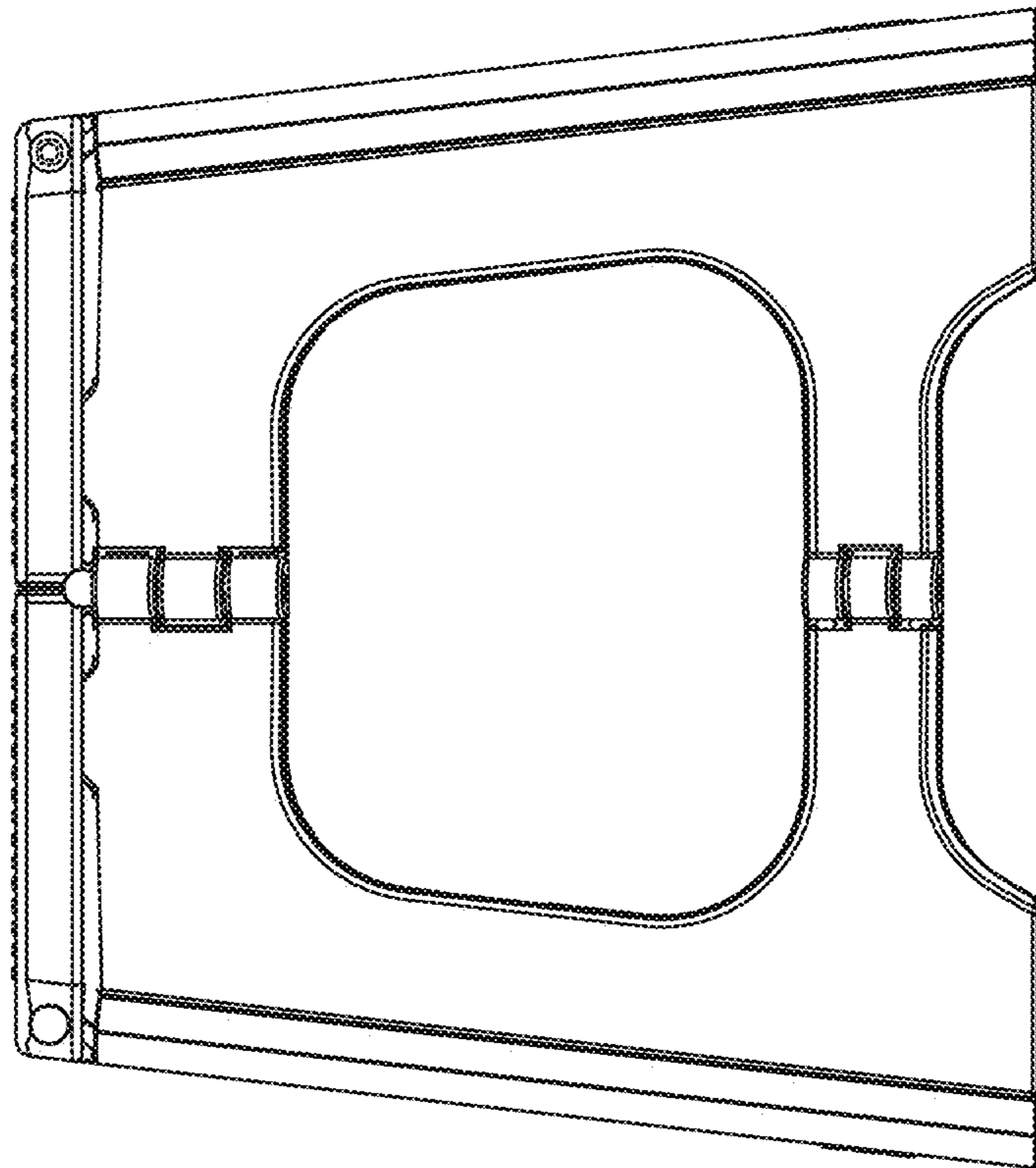


FIG. 5

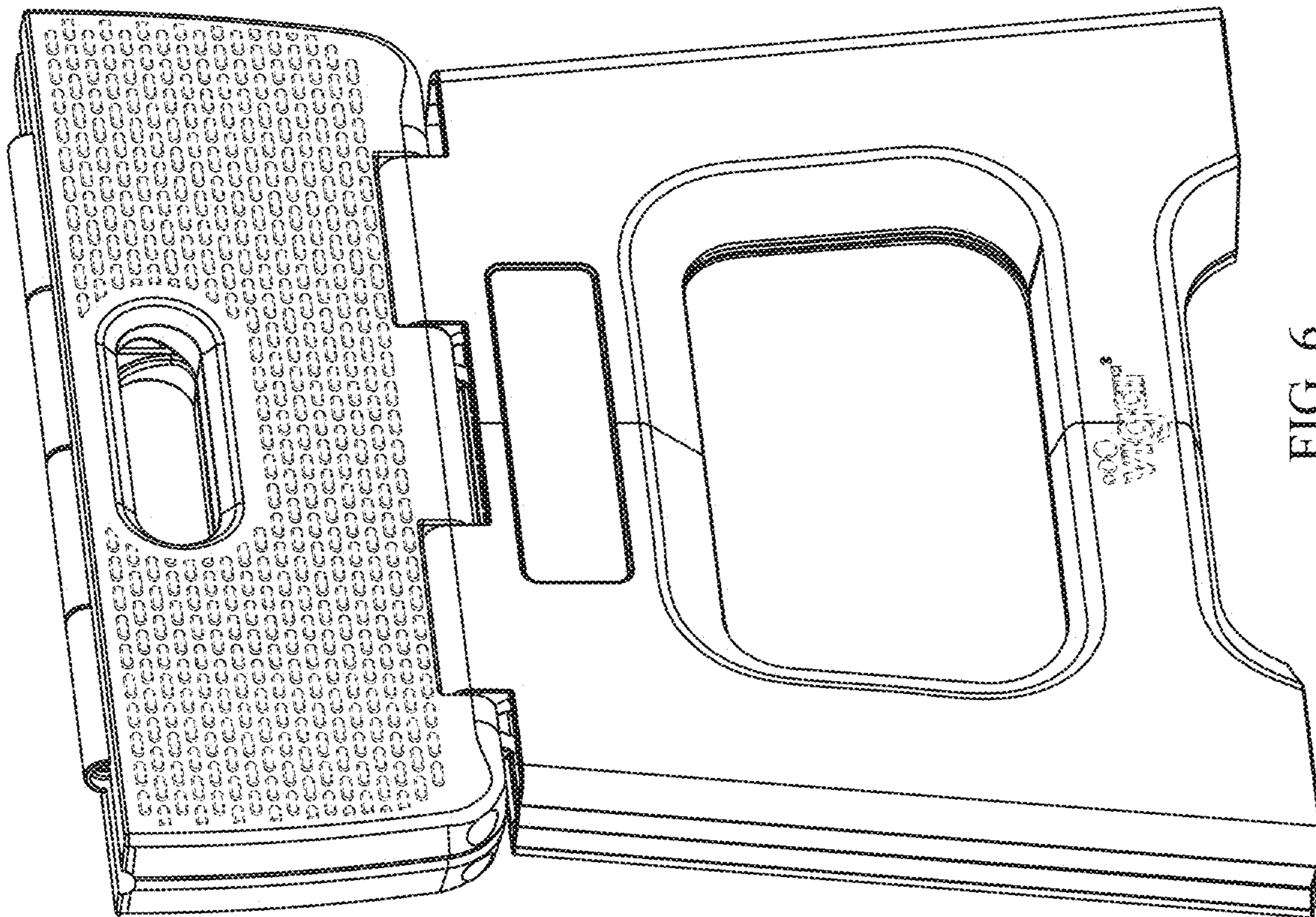


FIG. 6

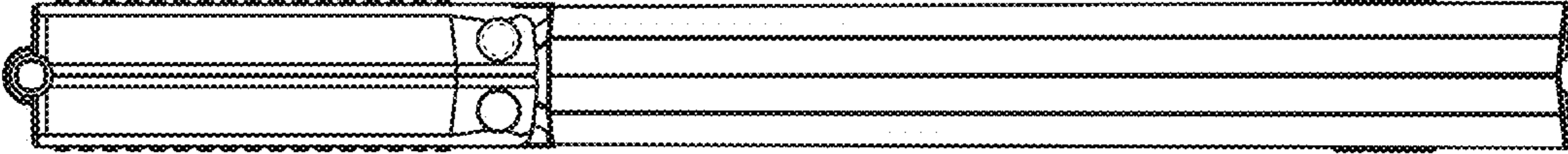


FIG. 7

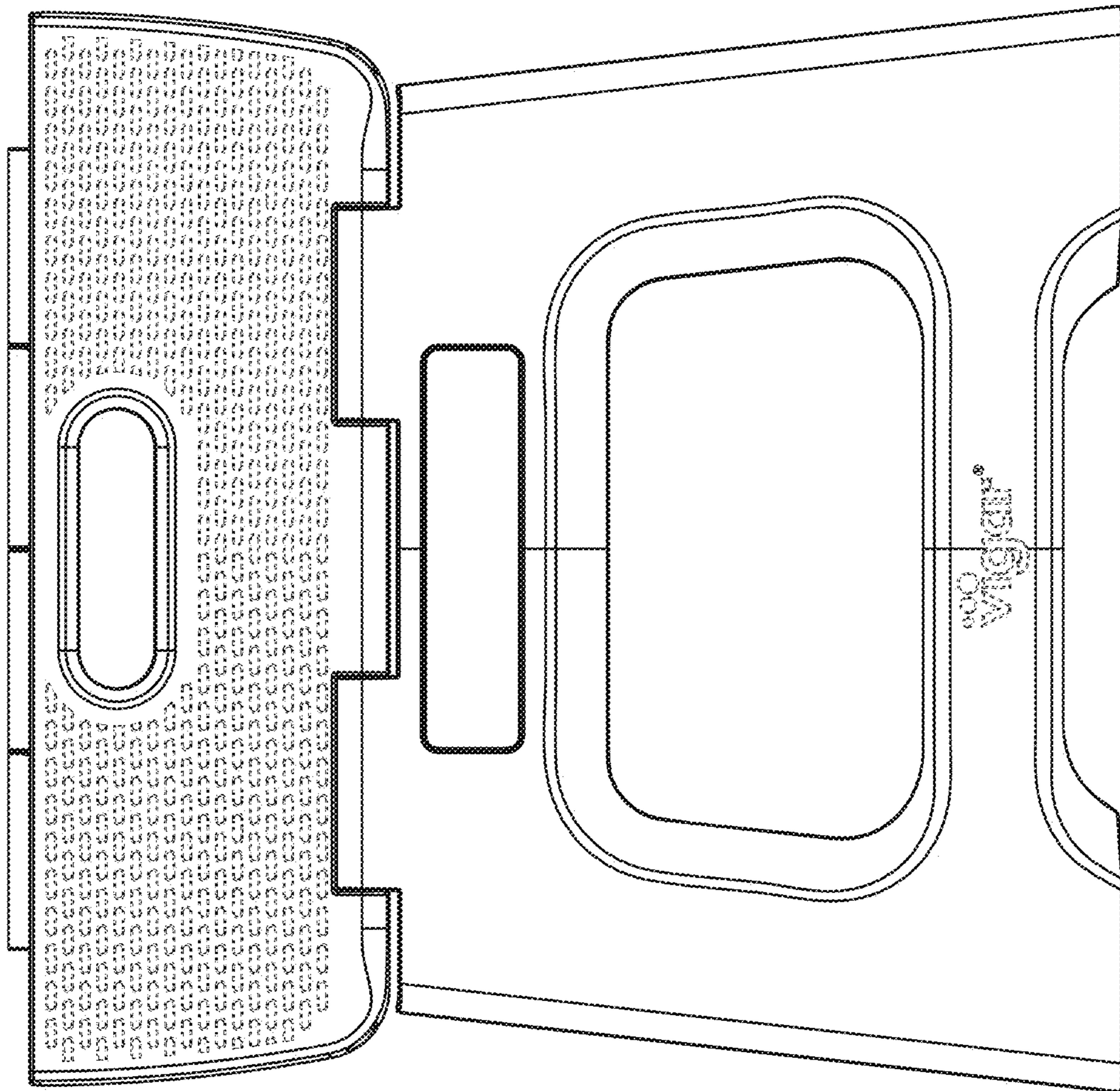


FIG. 8

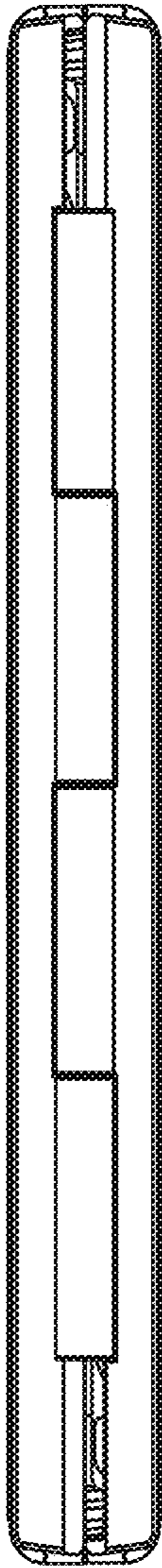


FIG. 9