



US00D900490S

(12) **United States Design Patent** (10) **Patent No.:** **US D900,490 S**
Yu (45) **Date of Patent:** **** Nov. 3, 2020**

(54) **PICNIC TABLE**

(71) Applicant: **Zhuhai Shichang Metals Ltd.**, Zhuhai (CN)

(72) Inventor: **Hai Yu**, Zhuhai (CN)

(73) Assignee: **Zhuhai Shichang Metals Ltd.**, Zhuhai (CN)

(**) Term: **15 Years**

(21) Appl. No.: **29/664,381**

(22) Filed: **Sep. 25, 2018**

(51) **LOC (12) Cl.** **06-01**

(52) **U.S. Cl.**
USPC **D6/337**

(58) **Field of Classification Search**

USPC D6/334, 335, 336, 337, 338, 349, 355,
D6/368, 370

CPC A47B 3/002; A47B 3/14; A47B 2003/145;
A47B 83/02; A47B 83/0241

See application file for complete search history.

(56) **References Cited**

U.S. PATENT DOCUMENTS

3,414,301	A *	12/1968	Crowe	F16B 12/40 403/237
5,921,623	A *	7/1999	Nye	A47B 3/14 108/132
6,629,723	B1 *	10/2003	Trubee	A47B 83/02 297/158.3
6,644,734	B1 *	11/2003	Tseng	A47B 3/14 297/158.4
6,817,662	B2 *	11/2004	Winter	A47B 83/02 297/158.3
D845,011	S *	4/2019	Wang	D6/337
2004/0070235	A1 *	4/2004	Gregory	A47B 3/14 297/158.4

OTHER PUBLICATIONS

Industrial Grade 1MDU4 Picnic Table, amazon.com, review date with image of Aug. 3, 2017, site visited May 22, 2020, available online at <https://www.amazon.com/Industrial-Grade-1MDU4-Picnic-Table/dp/B007OXD1PW> (Year: 2017).*

* cited by examiner

Primary Examiner — Cathron C Brooks

(74) *Attorney, Agent, or Firm* — Luedeka Neely Group, P.C.

(57) **CLAIM**

The ornamental design for a picnic table, as shown and described.

DESCRIPTION

FIG. 1 is a top perspective view of the picnic table according to my new design;

FIG. 2 is a bottom perspective view of the picnic table according to my new design;

FIG. 3 is a top plan view of the picnic table according to my new design;

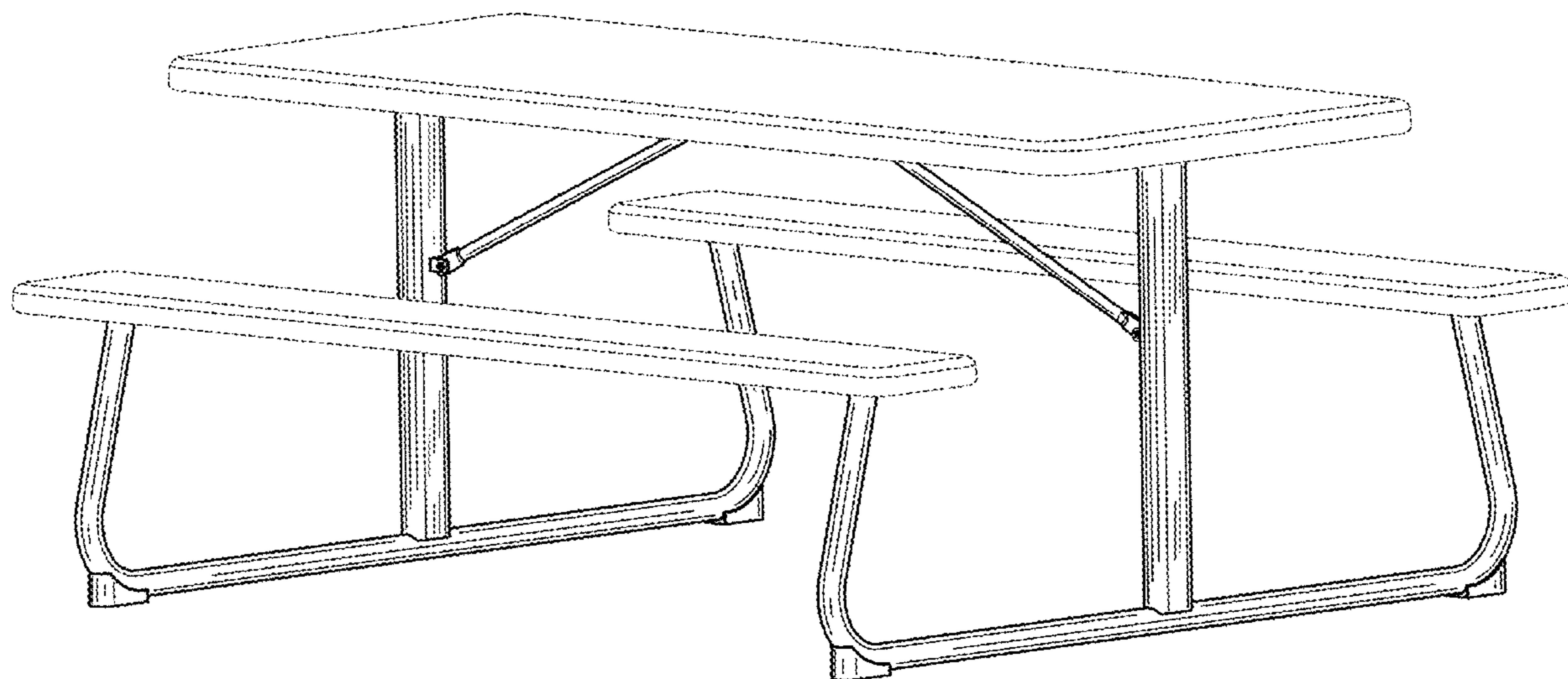
FIG. 4 is a bottom plan view of the picnic table according to my new design;

FIG. 5 is an end elevation view of the picnic table according to my new design; and,

FIG. 6 is a side elevation view of the picnic table according to my new design.

The broken lines in the drawings illustrate portions of the picnic table that form no part of the claimed design.

1 Claim, 6 Drawing Sheets



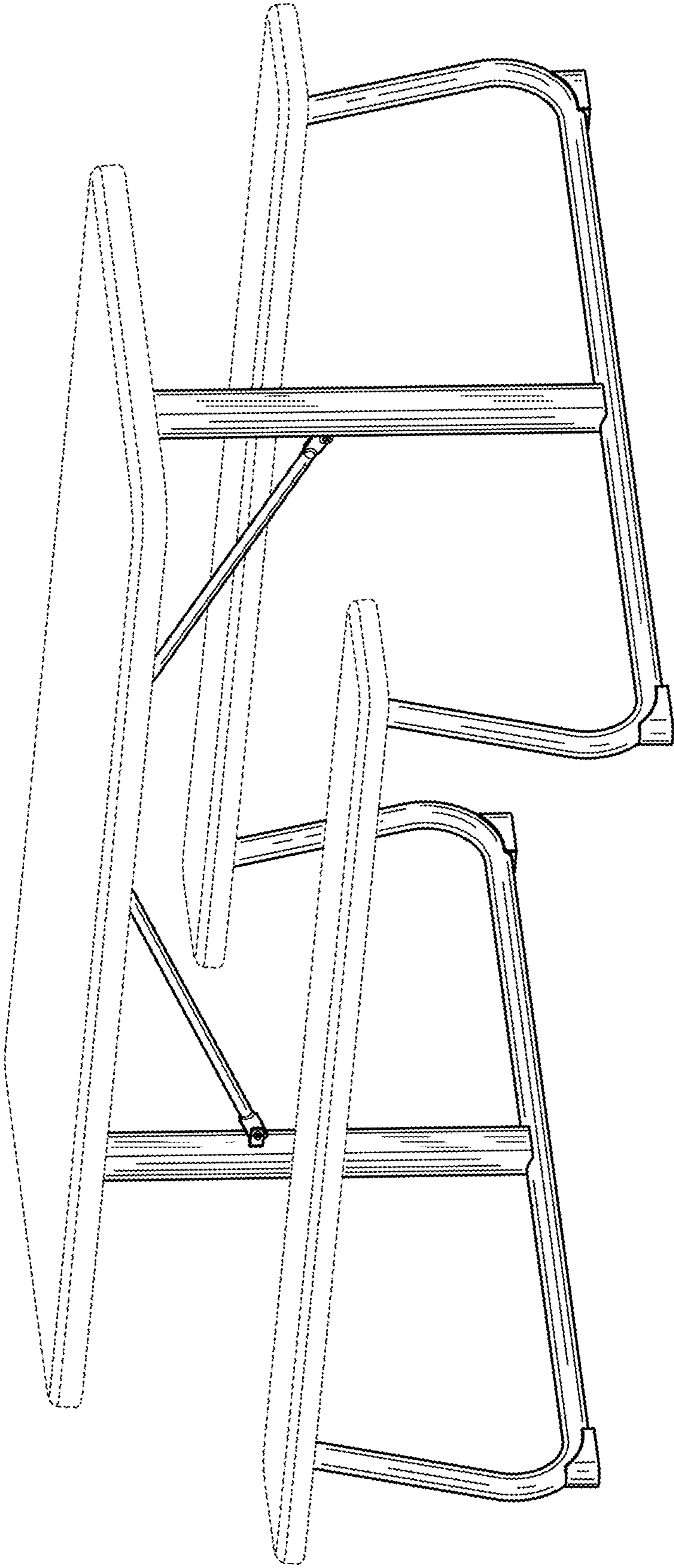


FIG. 1

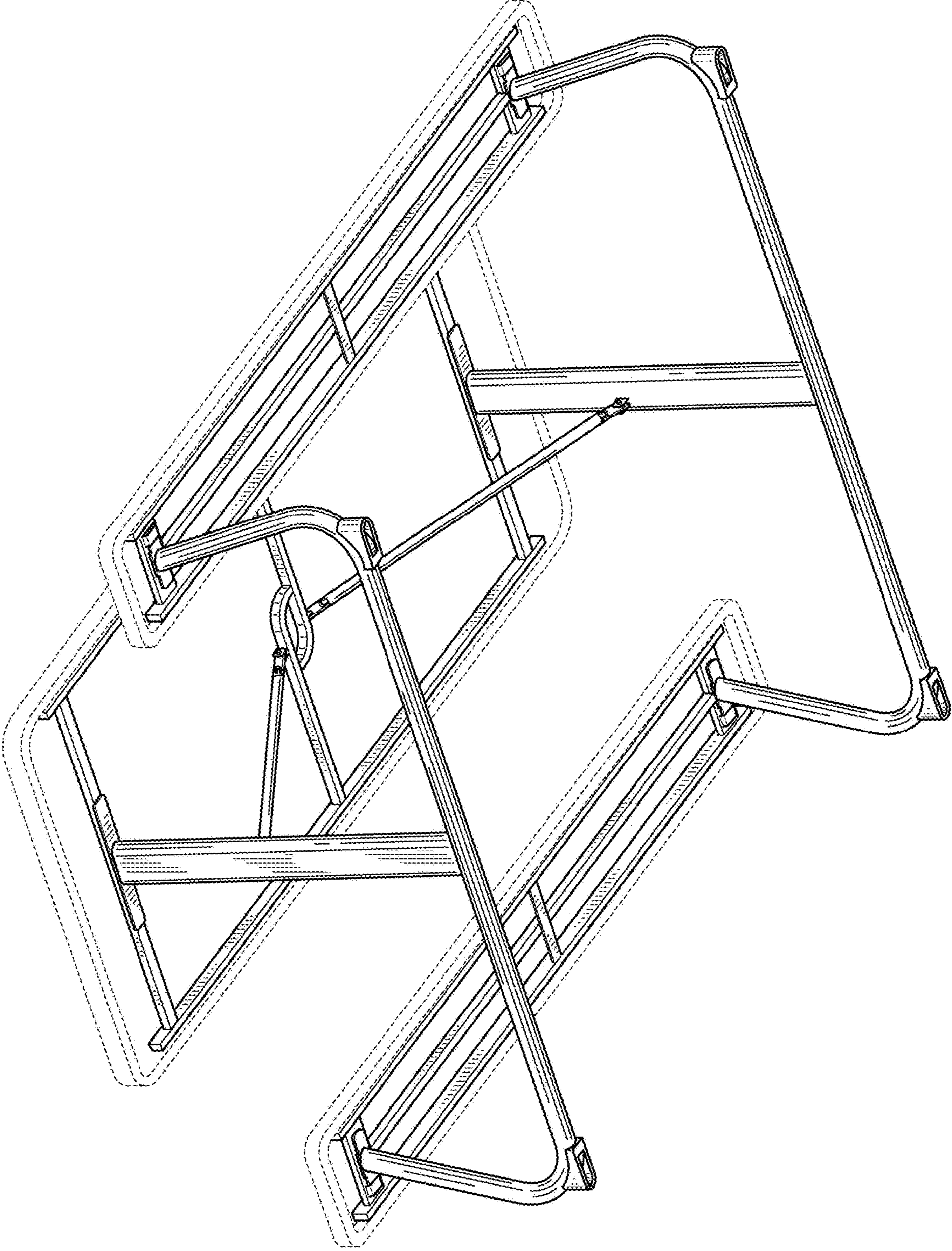


FIG. 2

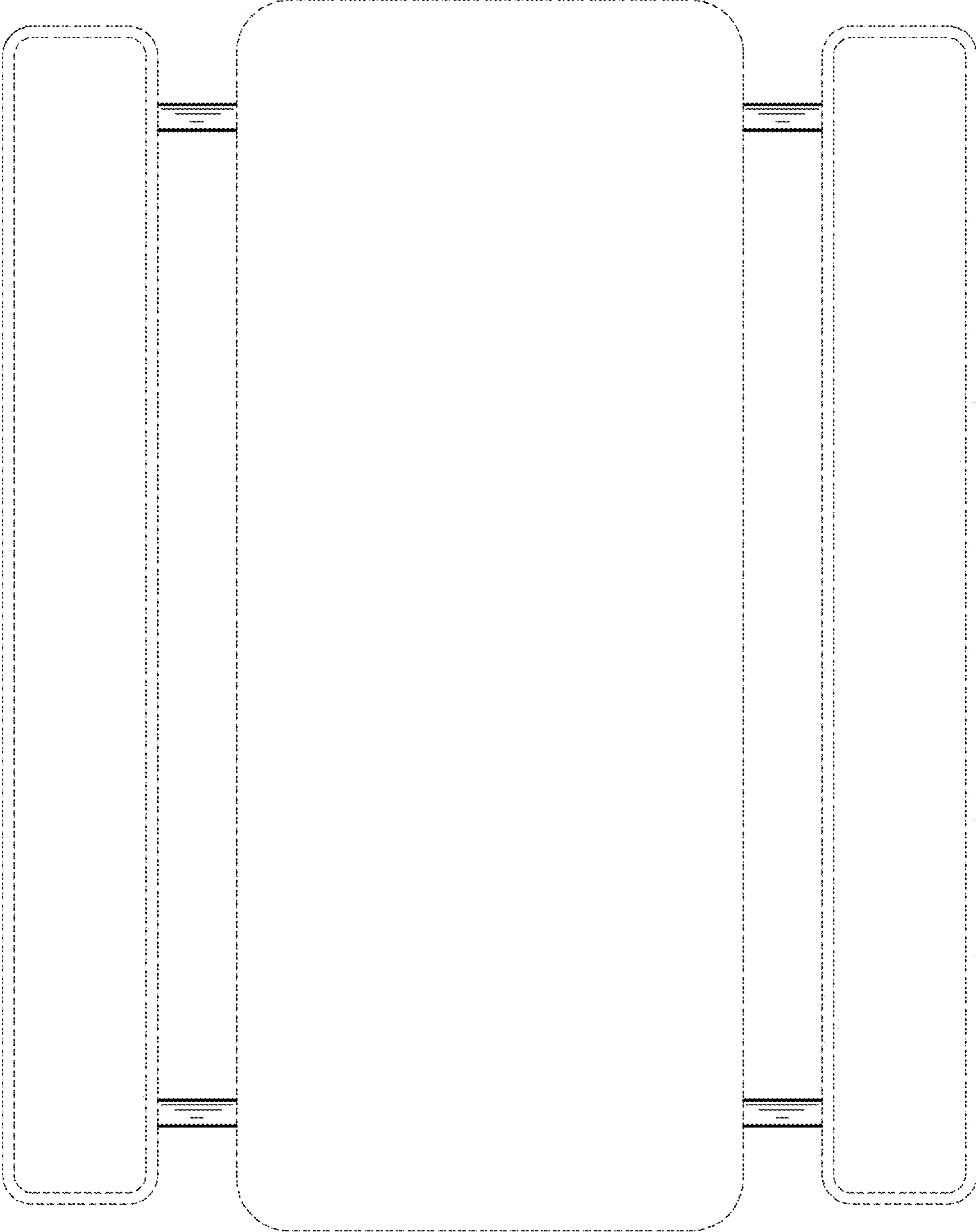


FIG. 3

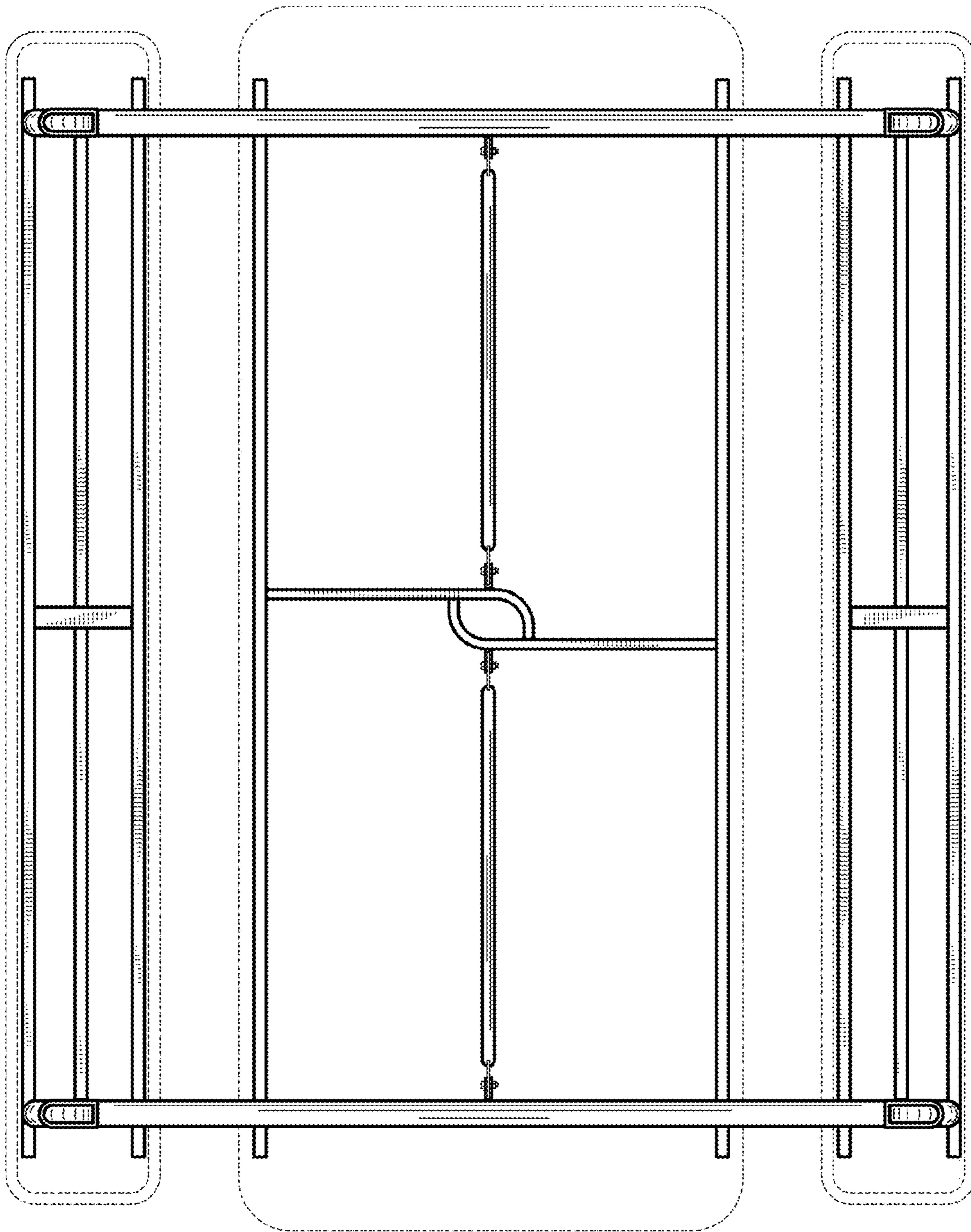


FIG. 4

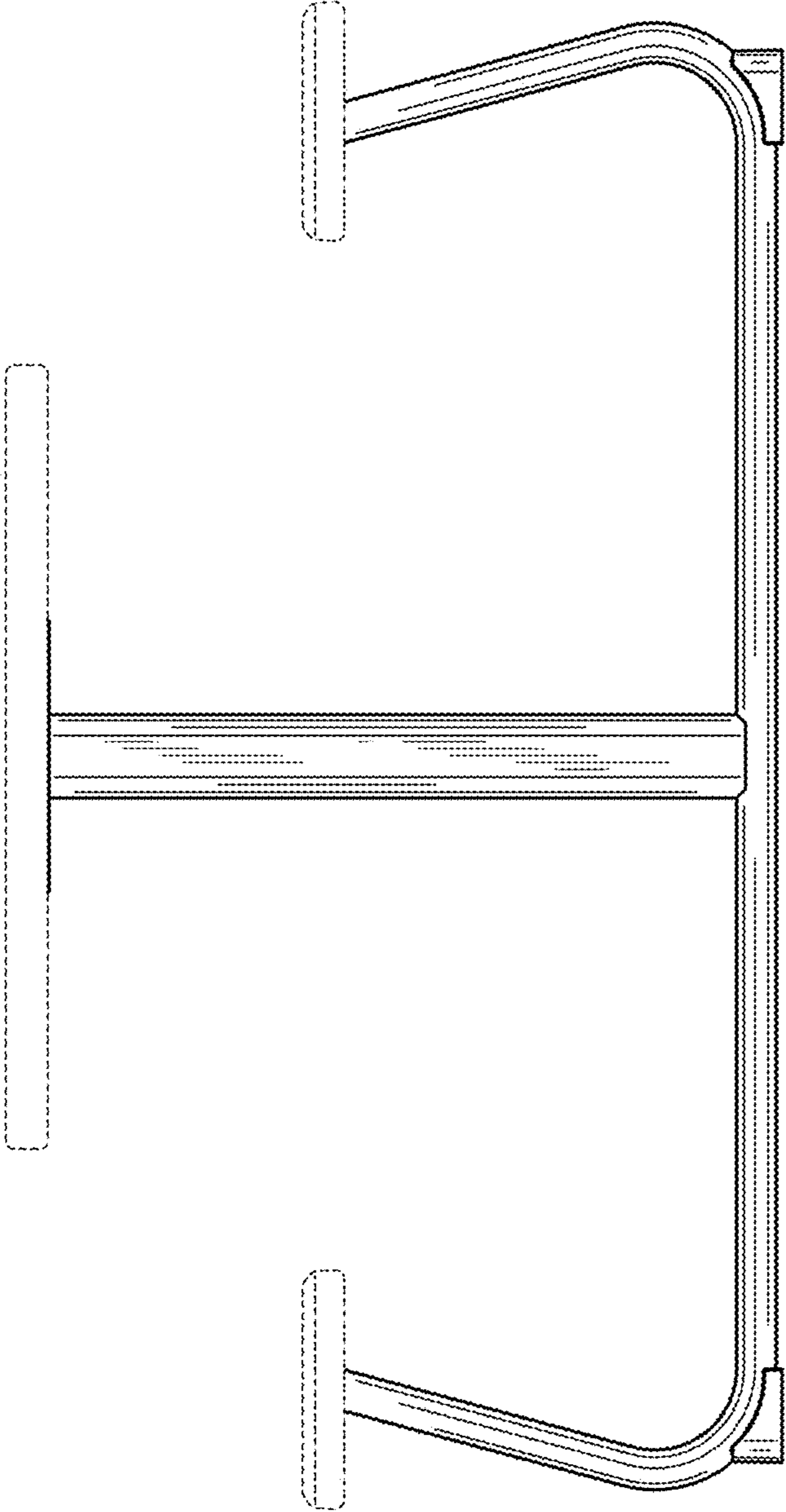


FIG. 5

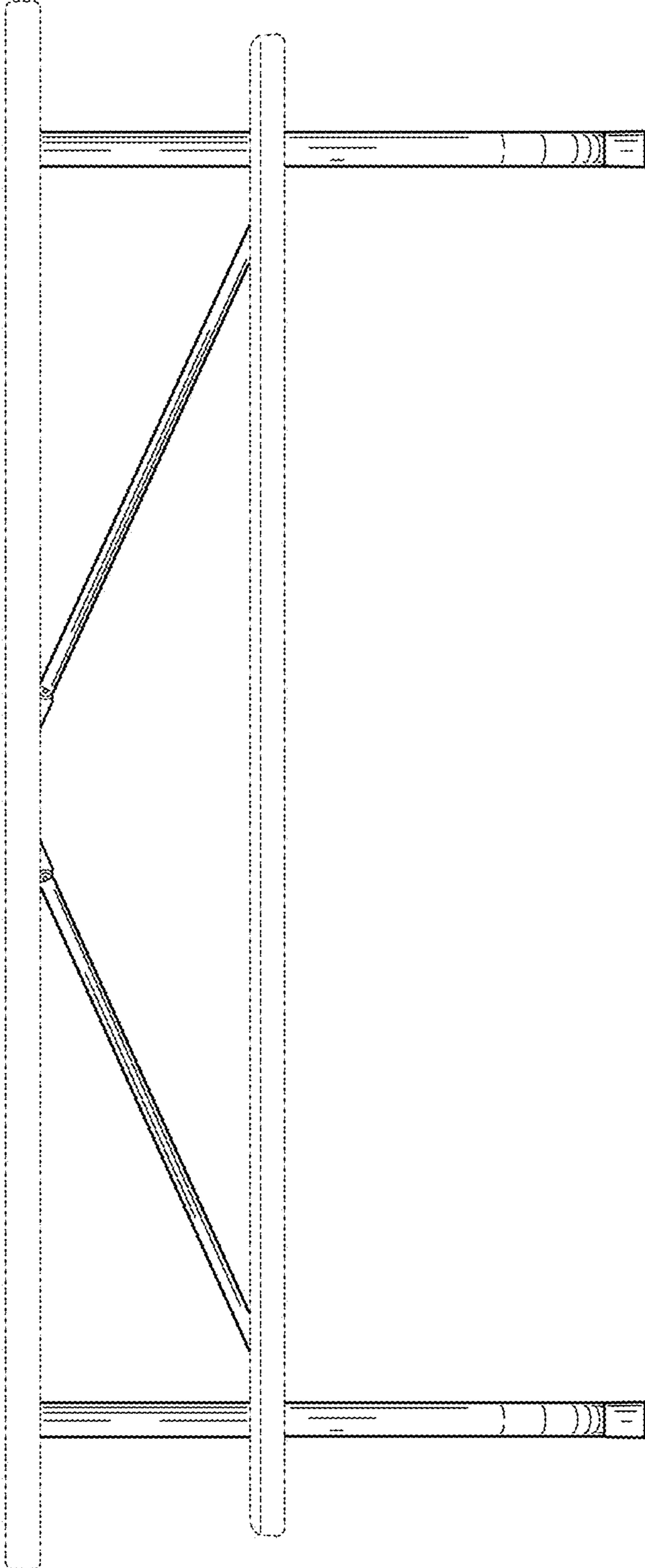


FIG. 6