



US00D900488S

(12) **United States Design Patent**
Chu et al.

(10) **Patent No.:** **US D900,488 S**

(45) **Date of Patent:** **** Nov. 3, 2020**

(54) **DIGITAL PHOTO FRAME**

(71) Applicant: **CREEDON TECHNOLOGIES HK LIMITED**, Hong Kong (HK)

(72) Inventors: **Lawrence Chun Hei Chu**, Yuen Long (HK); **Marcin Wojciech Dudar**, Ma Wan (HK); **Mark Creedon Palfreeman**, Los Altos, CA (US); **So Sum Tang**, Shau kei Wan (HK)

(73) Assignee: **CREEDON TECHNOLOGIES HK LIMITED**, Hong Kong (HK)

(**) Term: **15 Years**

(21) Appl. No.: **29/700,376**

(22) Filed: **Aug. 1, 2019**

(51) **LOC (12) Cl.** **06-07**

(52) **U.S. Cl.**
USPC **D6/308**; D14/341

(58) **Field of Classification Search**
USPC D6/300, 301, 302, 303, 304, 307, 308, D6/309, 310, 311, 312, 313, 314; D10/15, 21, 24; D14/336, 341, 371, 372, D14/374, 381, 382, 448, 450; D20/10, D20/27

CPC A47G 1/0616; A47G 1/142; A47G 2001/0694; A47G 1/06; A47G 1/0605; A47G 1/0633; A47G 1/0638; A47G 1/0644; A47G 1/08; A47G 1/10; A47G 1/14; A47G 1/141; A47G 1/16; A47G 1/1606; A47G 1/1613; A47G 2001/0661; A47G 2001/0672; A47G 2001/0688; A47G 2001/148; G06F 1/1654

See application file for complete search history.

(56) **References Cited**

U.S. PATENT DOCUMENTS

- 899,329 A * 9/1908 Sborigi A47G 1/06 40/765
- D360,531 S * 7/1995 Griffith D5/1

- D488,810 S * 4/2004 Lin D14/341
- D601,143 S * 9/2009 Oikawa D14/336
- D625,928 S * 10/2010 Lee D6/300
- D637,822 S * 5/2011 Utsunomiya D6/308
- D672,154 S * 12/2012 Huss D5/56
- D802,944 S * 11/2017 Palfreeman D6/308

(Continued)

FOREIGN PATENT DOCUMENTS

CN 305790984 * 9/2019

OTHER PUBLICATIONS

Nixplay Seed, announced 2017 [online], [site visited Jun. 29, 2020]. Available from internet, URL: https://www.amazon.com/Nixplay-Widescreen-Digital-Wi-Fi-W10B/dp/B078NQPCTR?ref=_ast_sto_dp (Year: 2017).*

(Continued)

Primary Examiner — Cynthia Ramirez
Assistant Examiner — Xavier Marti-Santos
(74) *Attorney, Agent, or Firm* — Day Pitney LLP

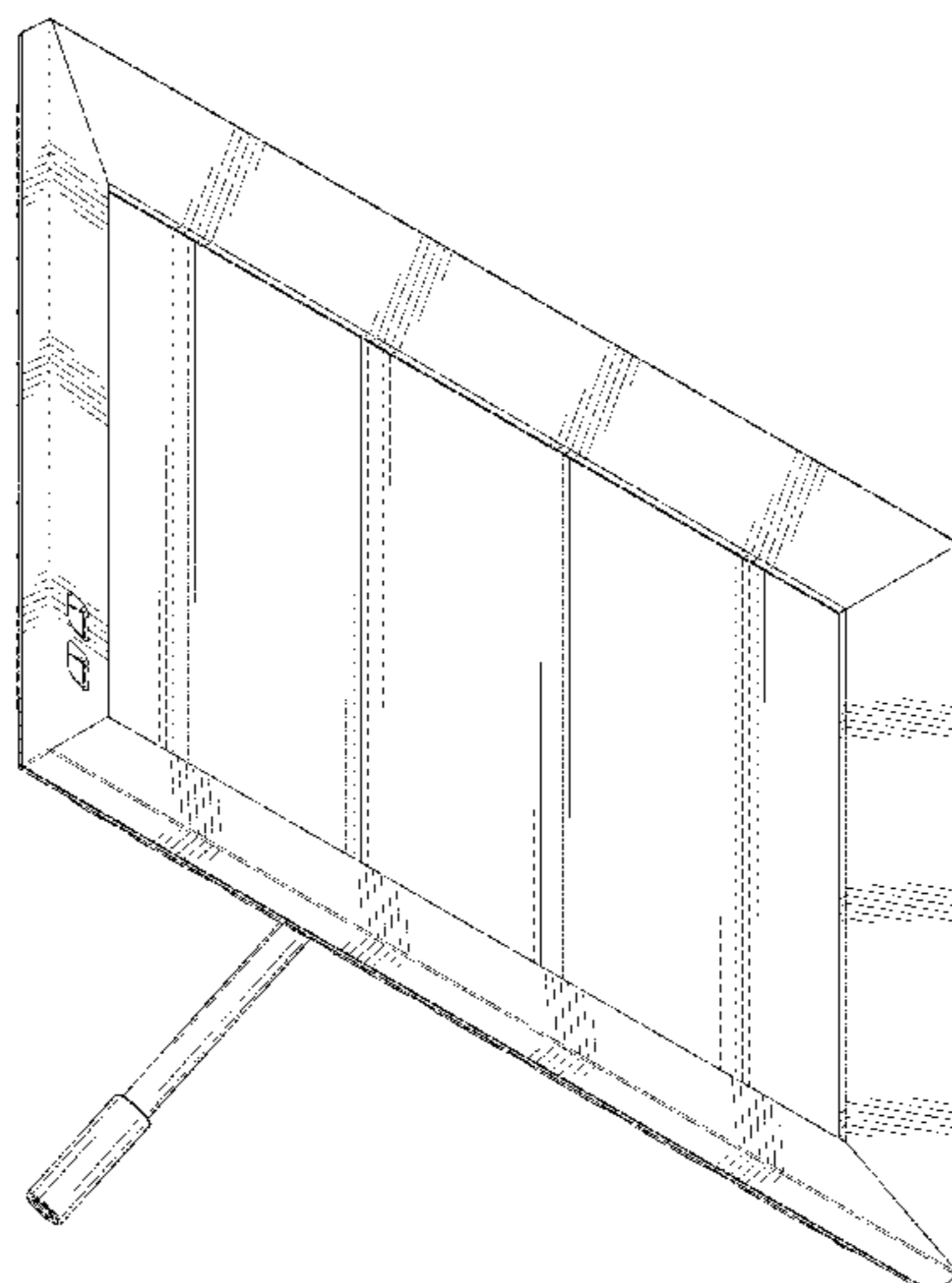
(57) **CLAIM**

The ornamental design for a digital photo frame, as shown and described.

DESCRIPTION

FIG. 1 is a front perspective view of my ornamental design for a digital photo frame;
FIG. 2 is a front elevational view thereof;
FIG. 3 is a rear elevational view thereof;
FIG. 4 is a left side elevational view thereof;
FIG. 5 is a right side elevational view thereof;
FIG. 6 is a top plan view thereof; and,
FIG. 7 is a bottom plan view thereof.
The broken lines in the figures are for the purpose of illustrating portions of the digital photo frame, which form no part of the claimed design.

1 Claim, 7 Drawing Sheets



(56)

References Cited

U.S. PATENT DOCUMENTS

D822,654 S * 7/2018 Nuk D14/341
D842,857 S * 3/2019 Kimura A47G 1/06
D14/371
D882,966 S * 5/2020 Jiang D6/308
D884,366 S * 5/2020 Gao D6/308

OTHER PUBLICATIONS

Nixplay Smart Photo Frame , announced 2019 [online], [site visited Jun. 29, 2020]. Available from internet, URL: <<https://www.nixplay.com/products/nixplay-smart-photo-frame-10-inch-wi-fi?variant=29484925780086>> (Year: 2019).*

* cited by examiner

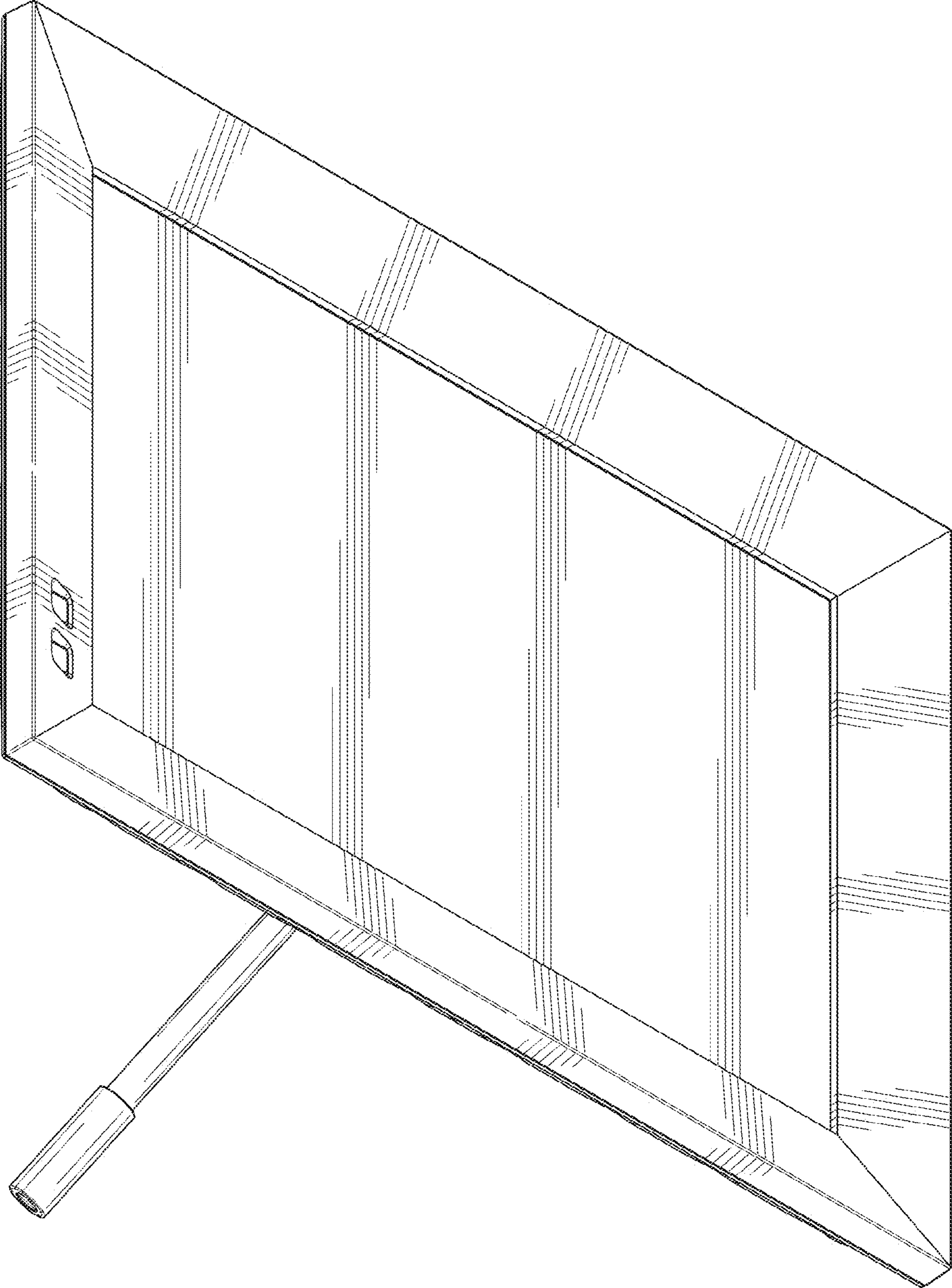


FIG. 1



FIG. 2

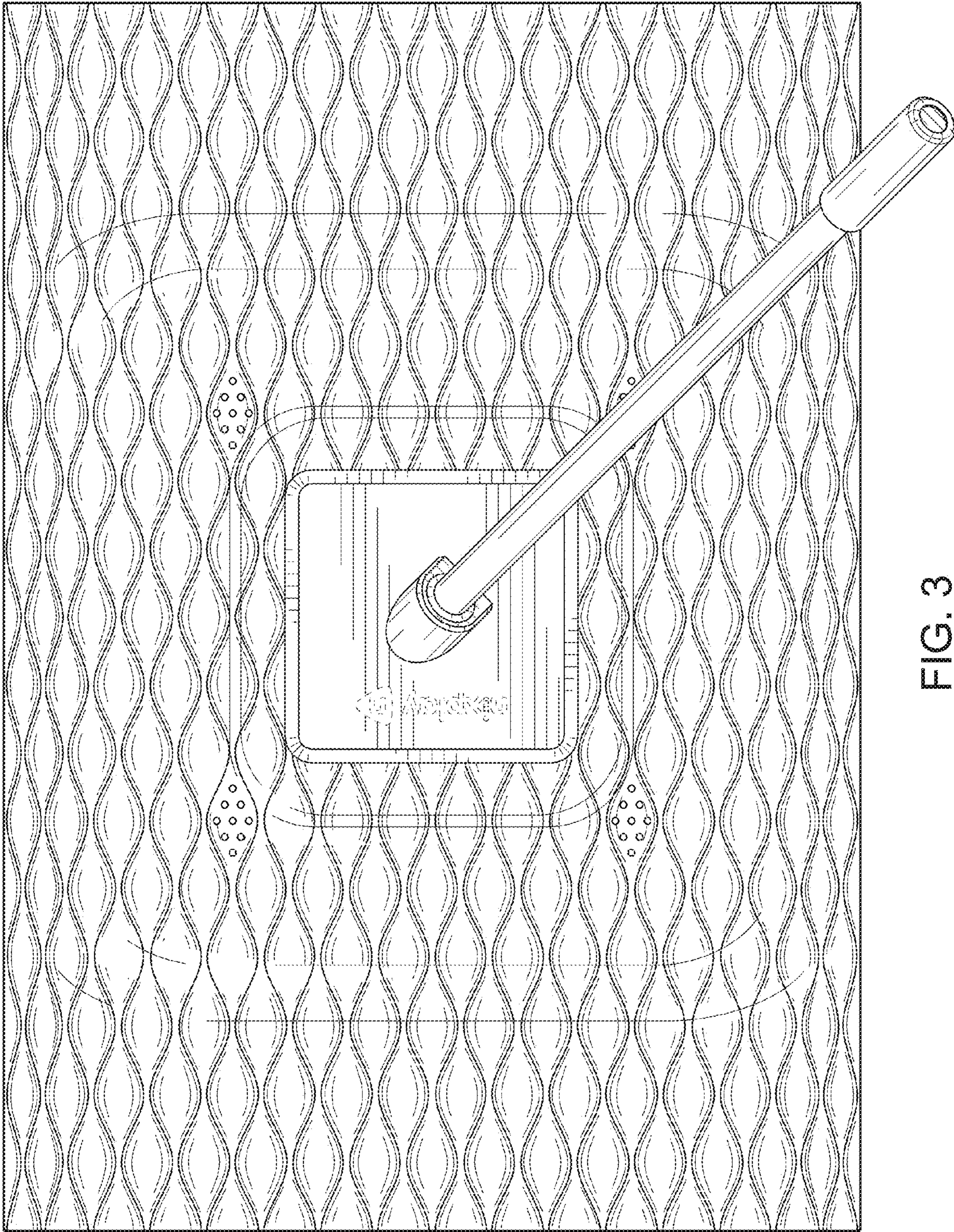


FIG. 3

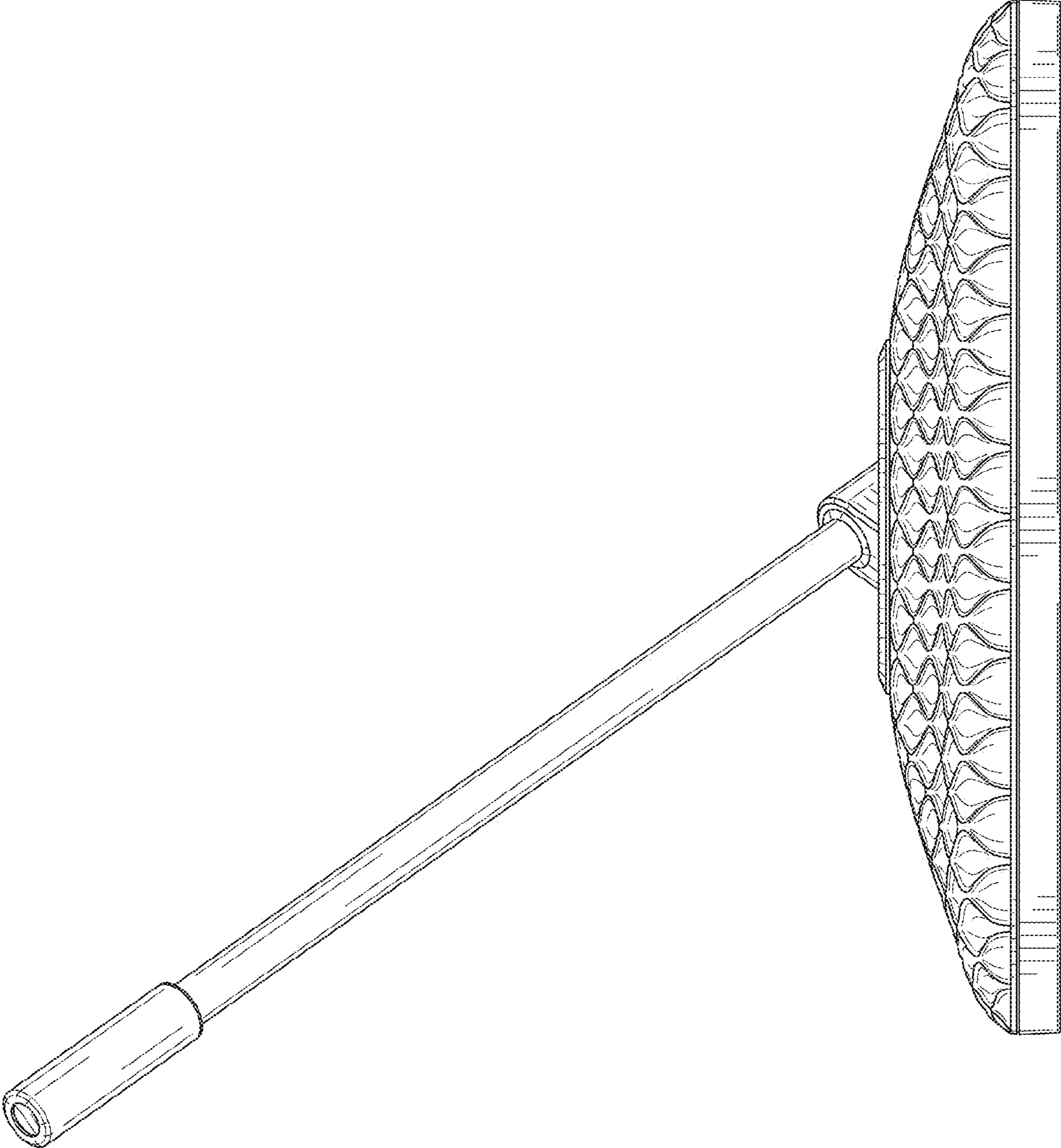


FIG. 4

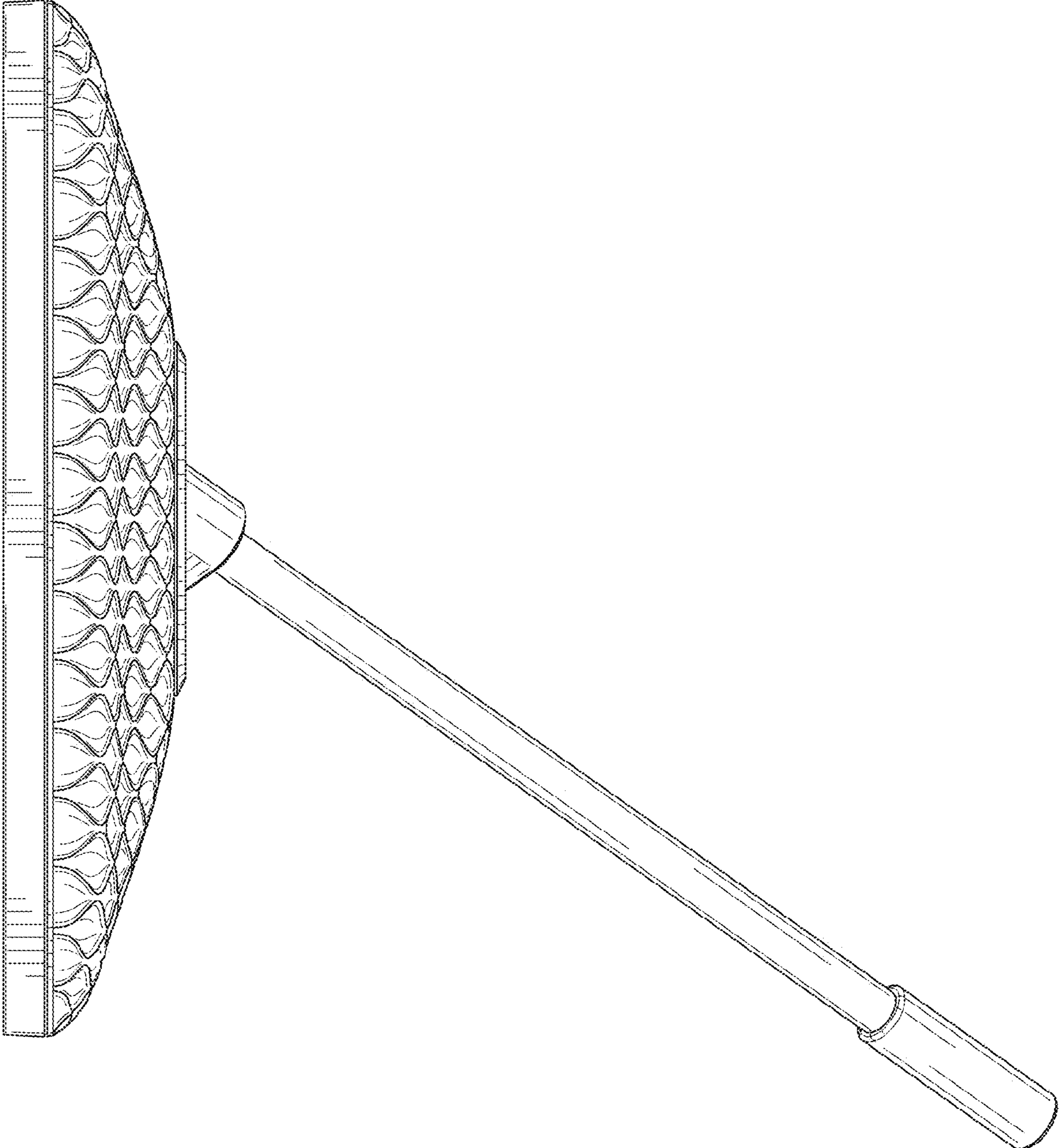


FIG. 5

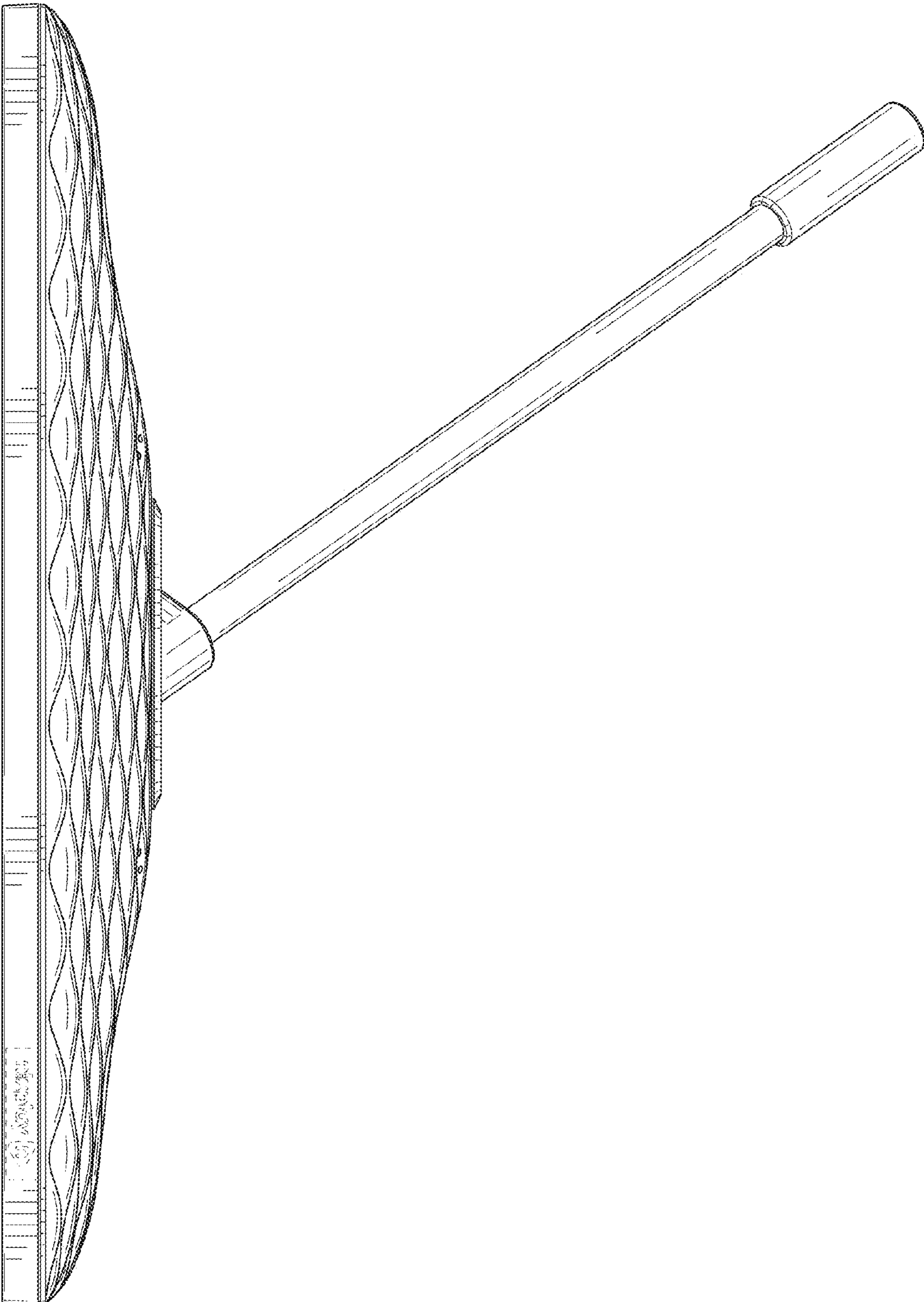


FIG. 6

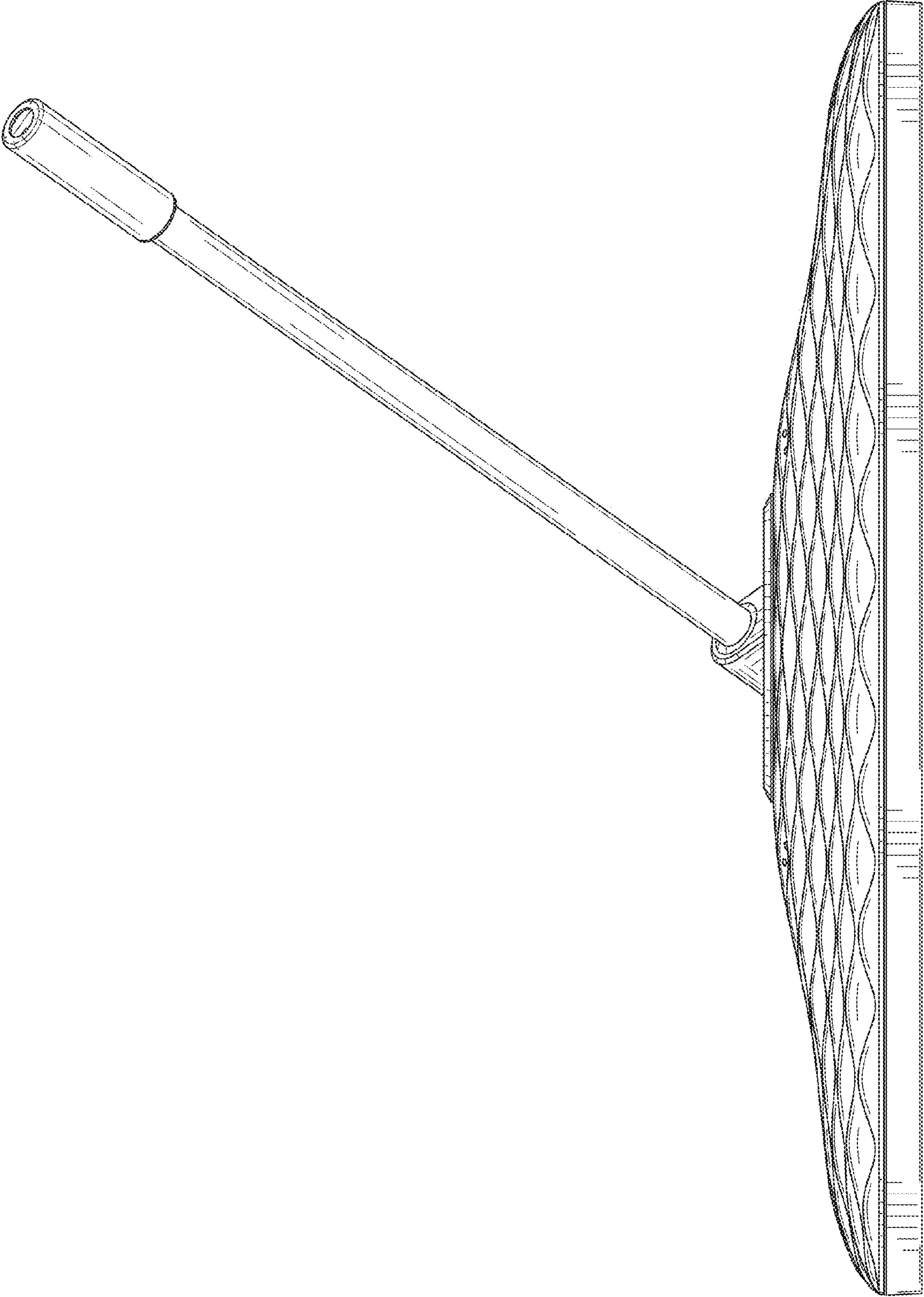


FIG. 7