



US00D900483S

(12) **United States Design Patent**
McCall

(10) **Patent No.:** **US D900,483 S**
(45) **Date of Patent:** **** Nov. 3, 2020**

(54) **BRUSH DRYING DEVICE**

(71) Applicant: **Michael McCall**, Nashville, TN (US)

(72) Inventor: **Michael McCall**, Nashville, TN (US)

(**) Term: **15 Years**

(21) Appl. No.: **29/688,738**

(22) Filed: **Apr. 24, 2019**

(51) **LOC (12) Cl.** **04-99**

(52) **U.S. Cl.**
USPC **D4/199**

(58) **Field of Classification Search**
USPC D3/228, 269, 300; D4/199; D9/702,
D9/711, 712; 15/246, 247; 150/161;
206/15.3, 284, 361, 362.2, 362.3, 362.4;
428/34.3
CPC .. A46B 17/04; A46B 2200/202; B65D 25/105
See application file for complete search history.

(56) **References Cited**

U.S. PATENT DOCUMENTS

- 4,179,040 A * 12/1979 Bateman A47J 47/02
220/796
- D319,875 S * 9/1991 Lackey D24/217
- 5,082,135 A * 1/1992 DeCoster A47J 43/284
220/694
- 6,135,279 A * 10/2000 Dryer A46B 17/06
206/15.2
- 7,387,204 B2 * 6/2008 Lee B65D 83/005
206/362
- D717,967 S * 11/2014 Durant D24/217
- D750,895 S * 3/2016 Jay D4/116
- 9,775,922 B2 * 10/2017 Lee A61L 2/04
- D830,571 S * 10/2018 Ghahary D24/217
- 10,172,497 B1 * 1/2019 Romano A47G 19/32
- D884,917 S * 5/2020 Ghahary D24/217
- 2004/0025899 A1 * 2/2004 Pinsky A61L 2/10
132/310
- 2015/0313354 A1 * 11/2015 Mongan A46B 17/065
15/22.1

FOREIGN PATENT DOCUMENTS

CN	205364971	7/2016
CN	106423947	2/2017
CN	106994858	8/2017
CN	107036414	8/2017
CN	207147084	3/2018

(Continued)

OTHER PUBLICATIONS

U.S. Appl. No. 16/392,552, filed Apr. 23, 2019, Michael McCall.

(Continued)

Primary Examiner — Austin Murphy

(74) *Attorney, Agent, or Firm* — Shane Cortesi

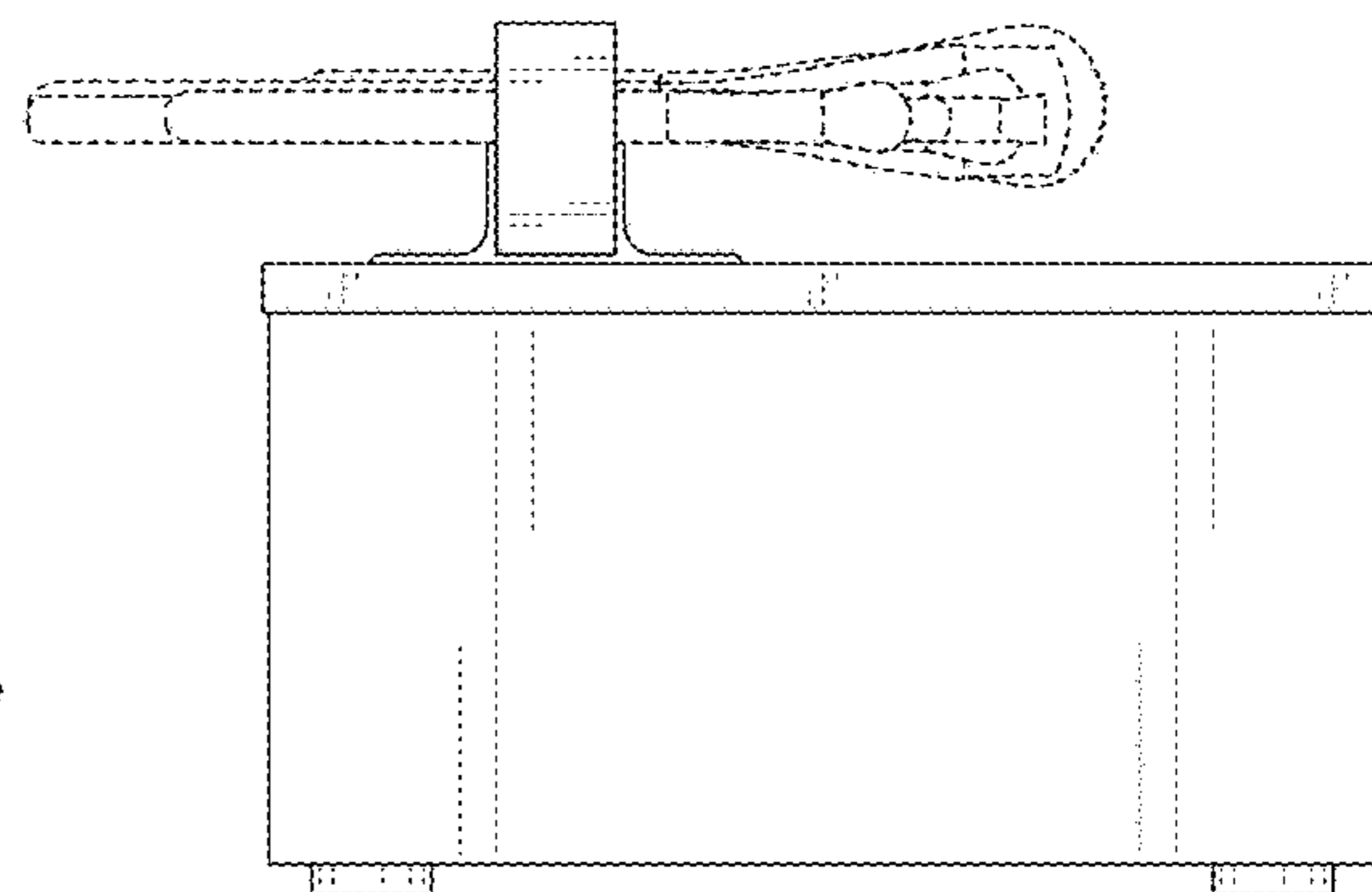
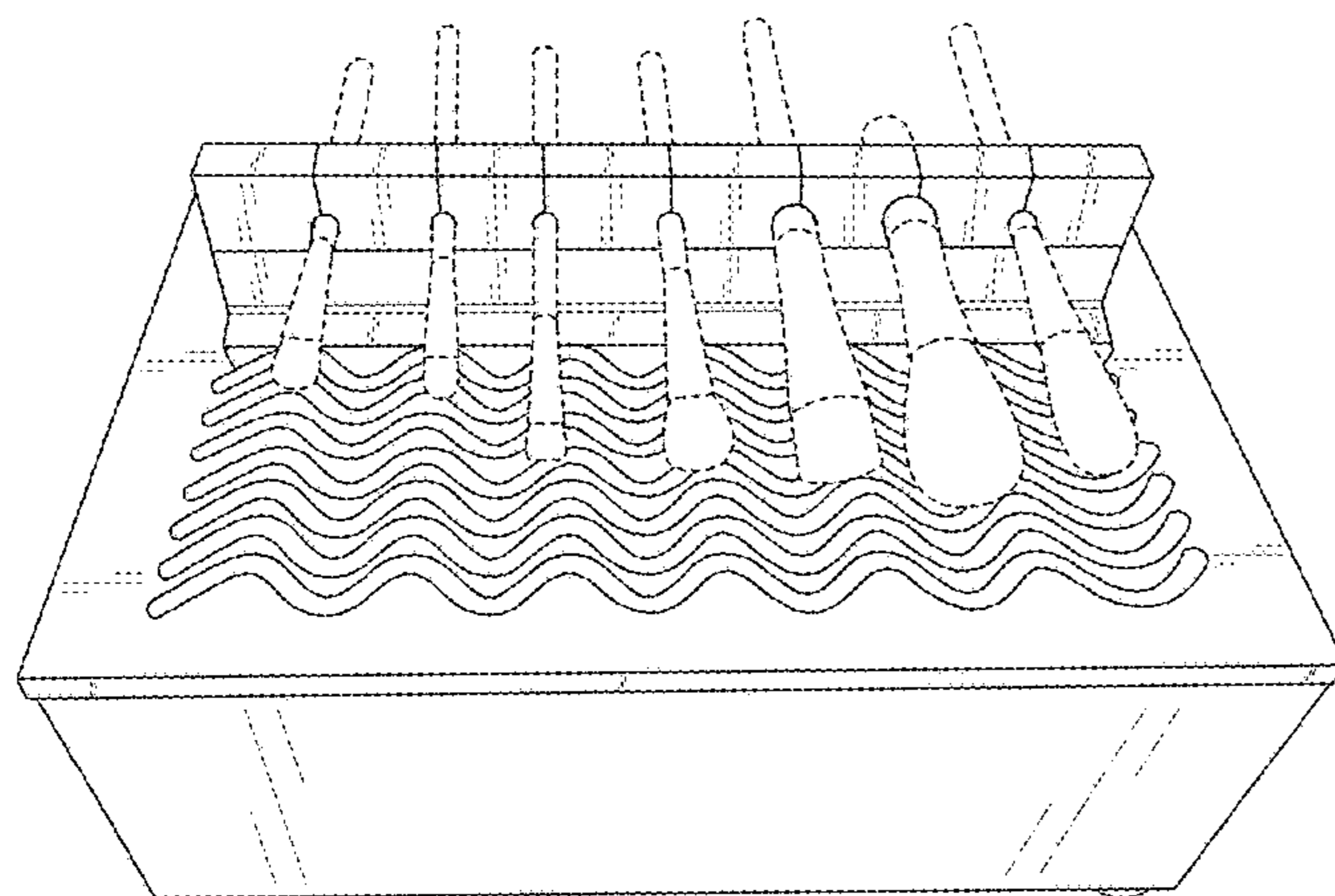
(57) **CLAIM**

The ornamental design for a brush drying device, substantially as shown and described.

DESCRIPTION

FIG. 1 is a front perspective view of a brush drying device showing my new design;
 FIG. 2 is a front view thereof;
 FIG. 3 is a rear view thereof;
 FIG. 4 is a first side view thereof;
 FIG. 5 is a second side view thereof;
 FIG. 6 is a top view thereof; and,
 FIG. 7 is a bottom view thereof.
 Broken lines in each of the figures indicate brushes.
 Broken lines in FIGS. 2, 3, 5-7 indicate an on/off switch.
 Broken lines in FIG. 7 indicate vents on the bottom of the brush drying device and components inside the brush drying device.
 All broken lines indicate unclaimed subject matter.

1 Claim, 7 Drawing Sheets



(56)

References Cited

FOREIGN PATENT DOCUMENTS

CN	207341416	5/2018
KR	2011051696	5/2011
KR	1298914	8/2013
KR	2013095531	8/2013
KR	2016085178	7/2016
KR	2018095384	8/2018
KR	2018099160	9/2018

OTHER PUBLICATIONS

Video here: <https://www.youtube.com/watch?v=EuY4w0UyZTA>. (last accessed Apr. 24, 2019).

Article here: <https://www.cosmopolitan.com/style-beauty/beauty/a9602752/drying-makeup-brushes-hack/>. (last accessed Apr. 24, 2019), Published May 4, 2017, Author Gina Mei.

Article here: <https://www.thefashionspot.com/beauty/760665-how-to-clean-makeup-brushes/#/slide/1>. (last accessed Apr. 24, 2019), Author: Heather Cichowski.

* cited by examiner

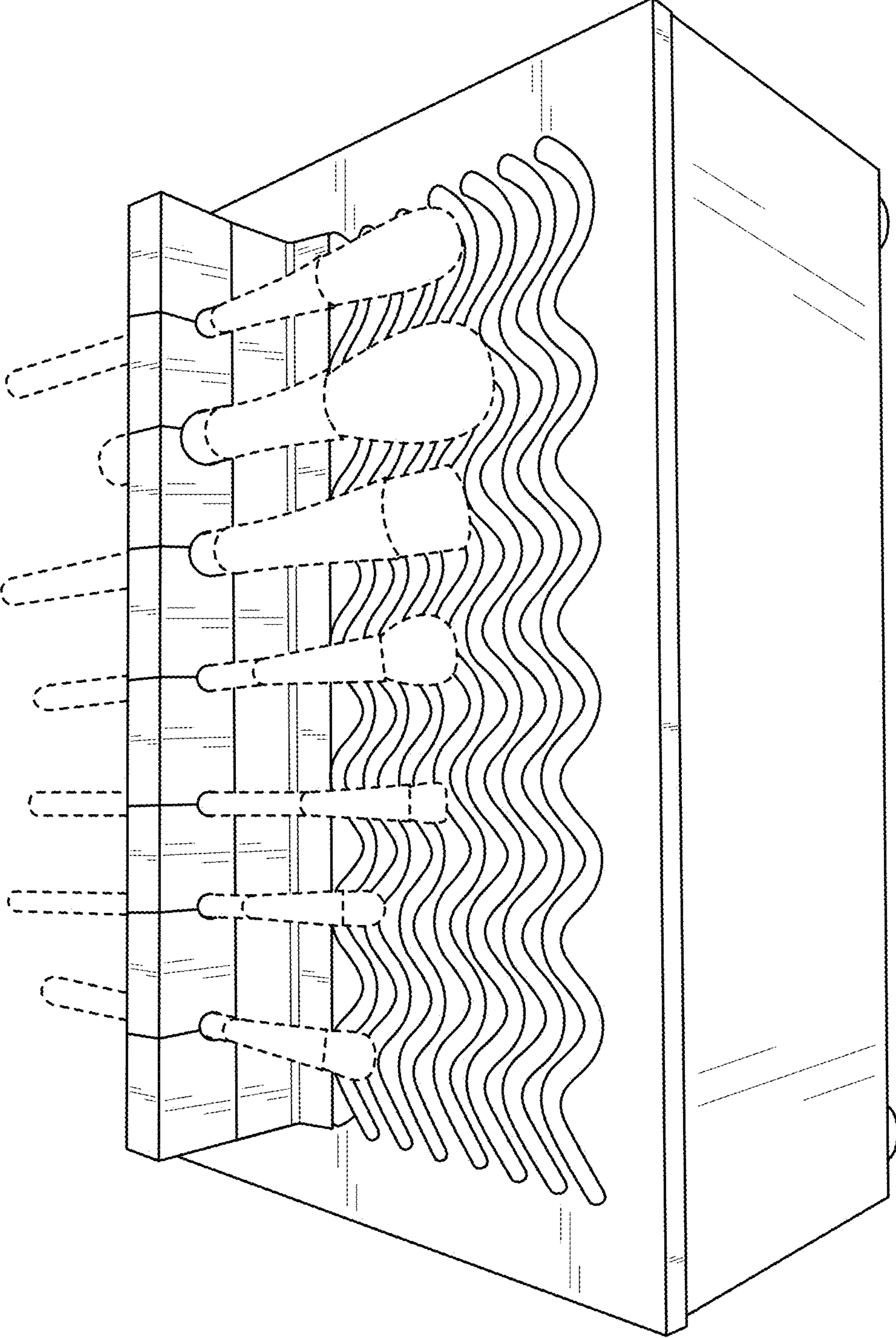


FIG. 1

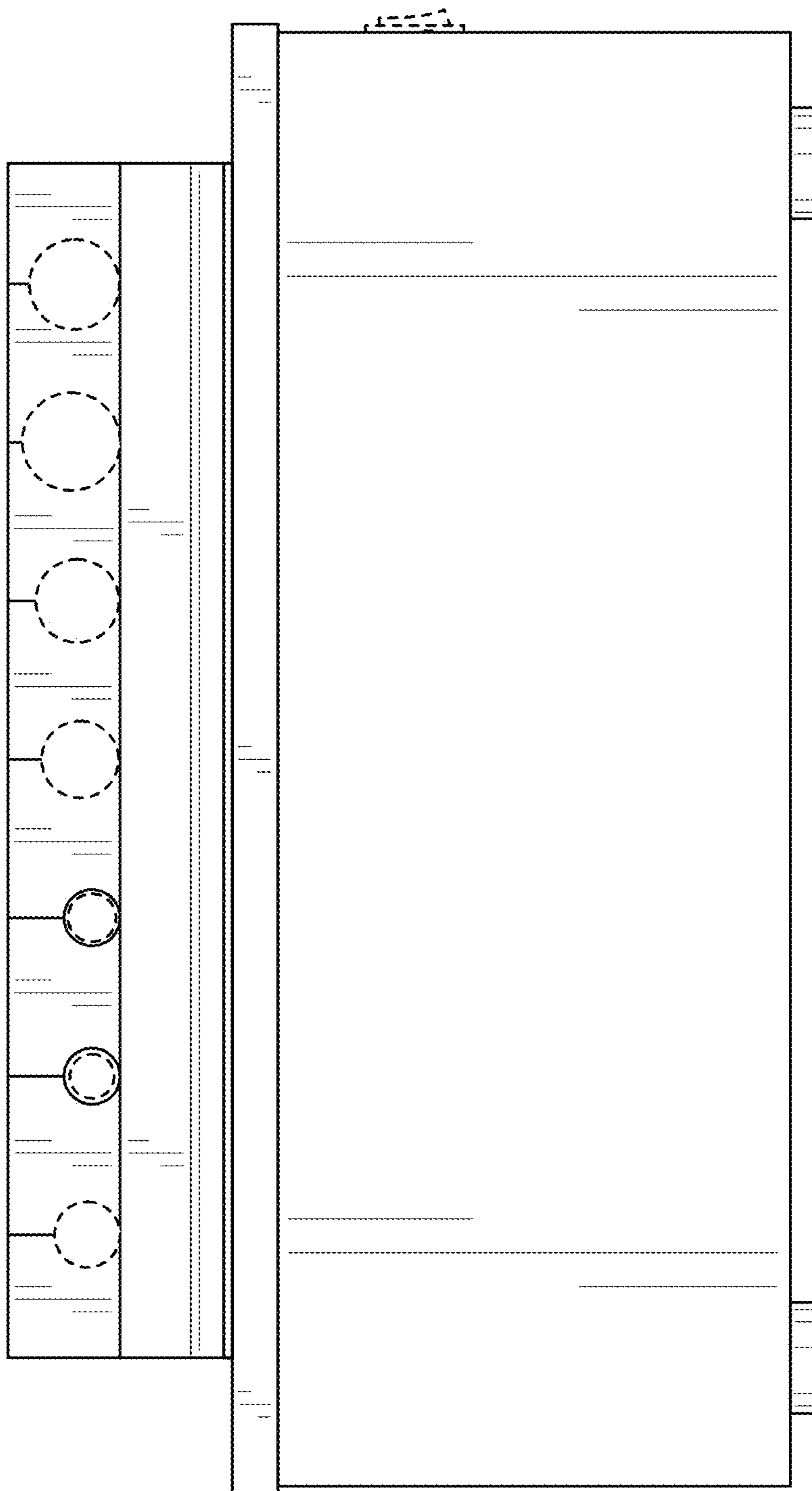


FIG. 2

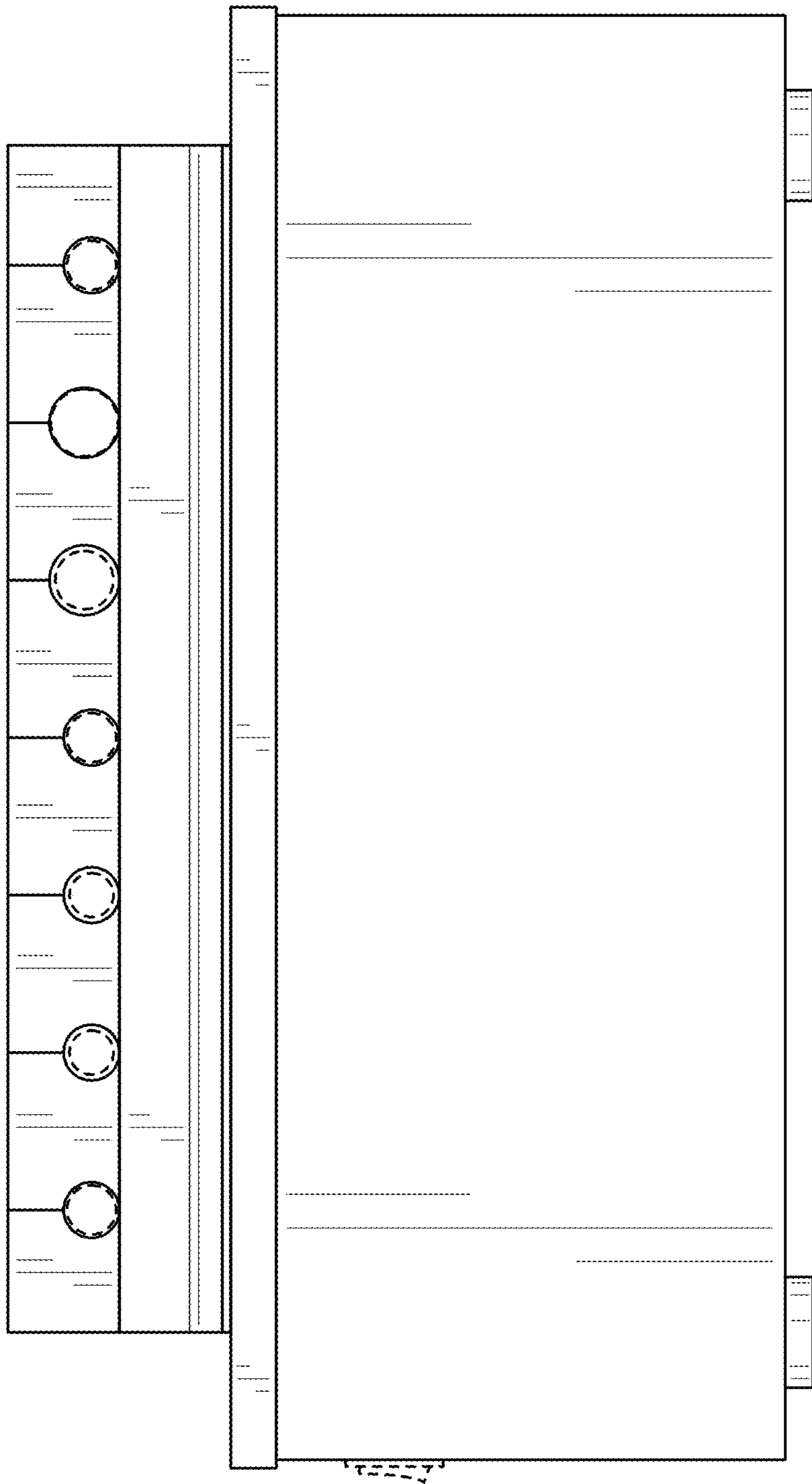


FIG. 3

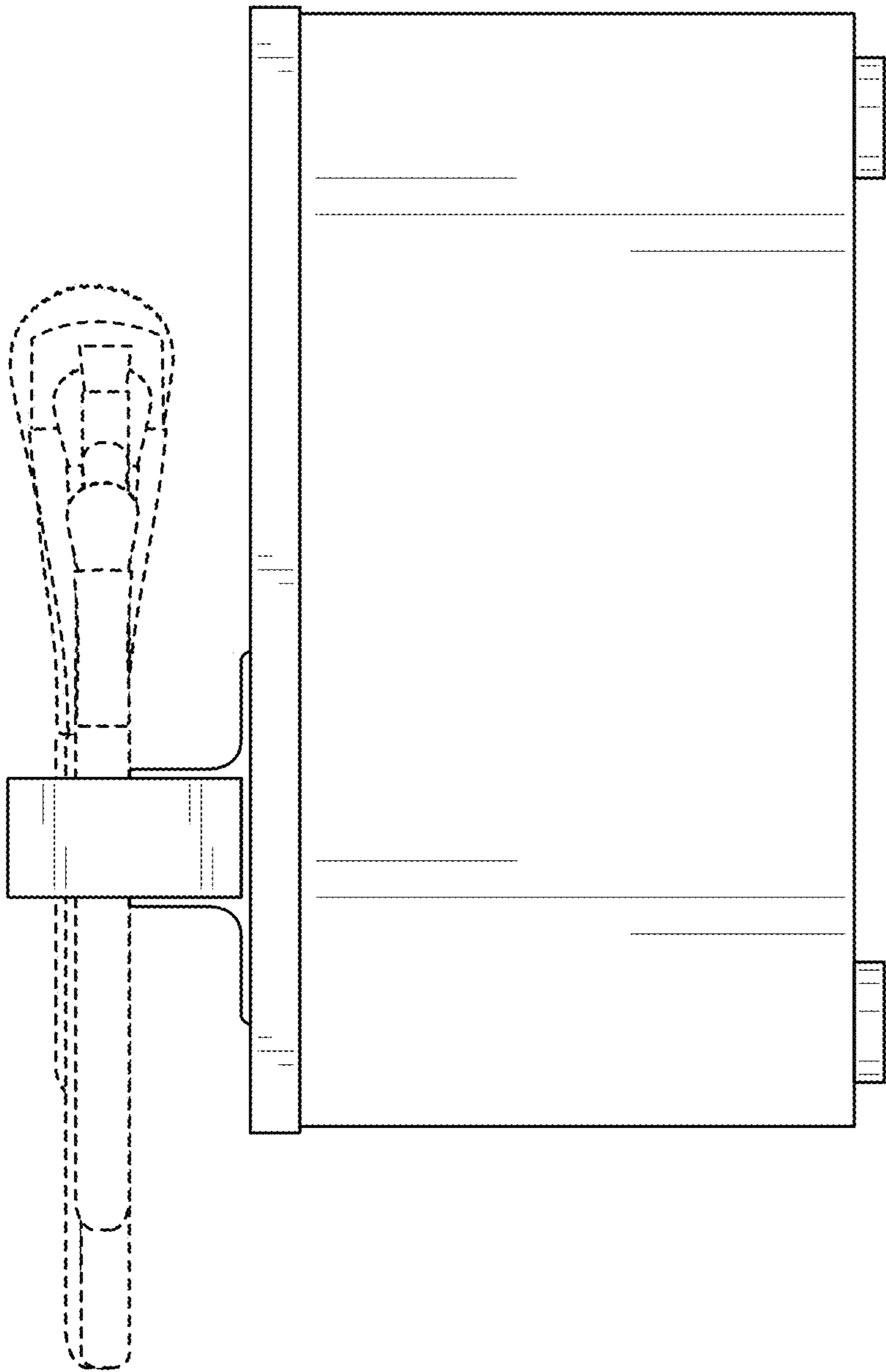


FIG. 4

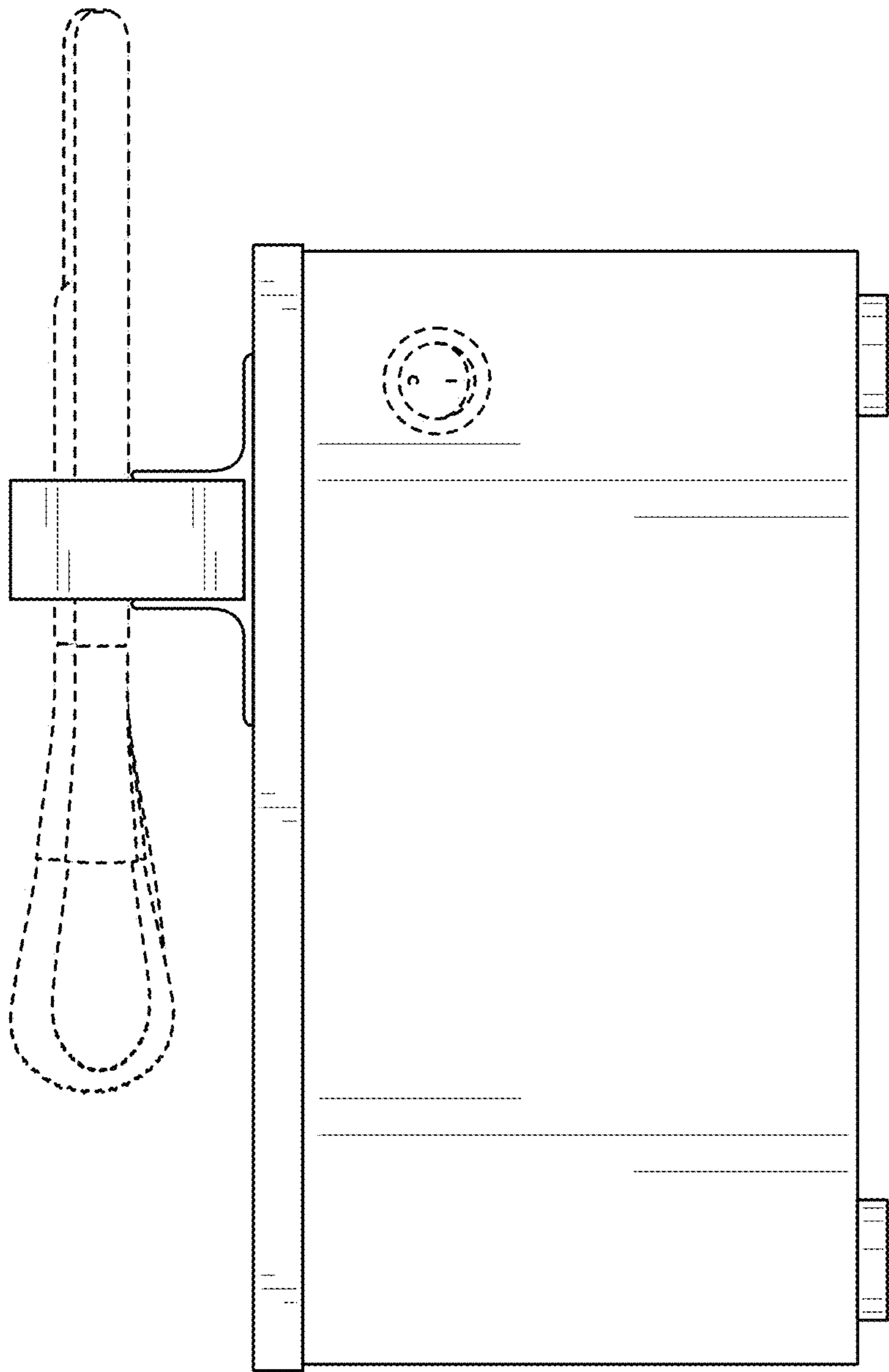


FIG. 5

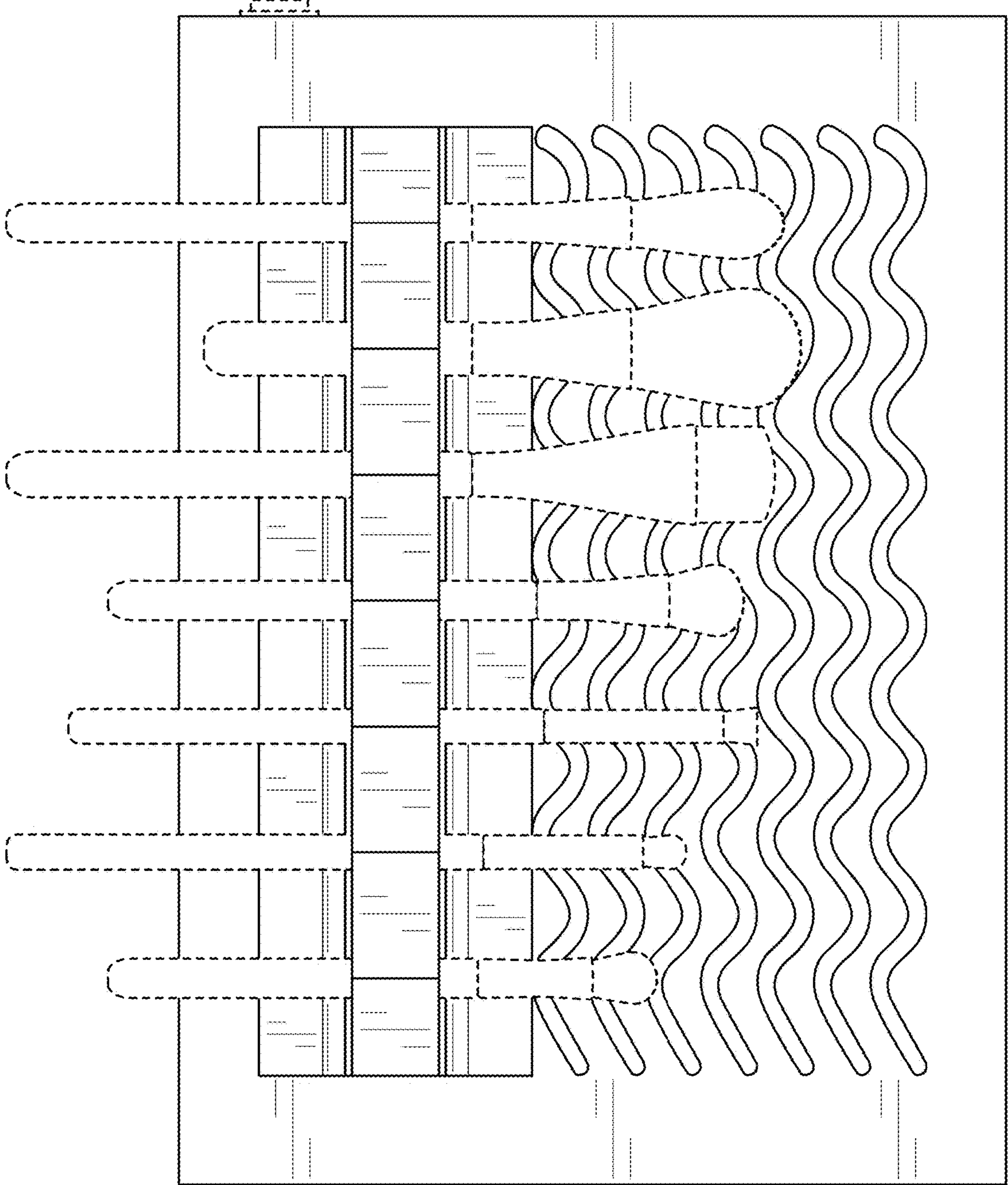


FIG. 6

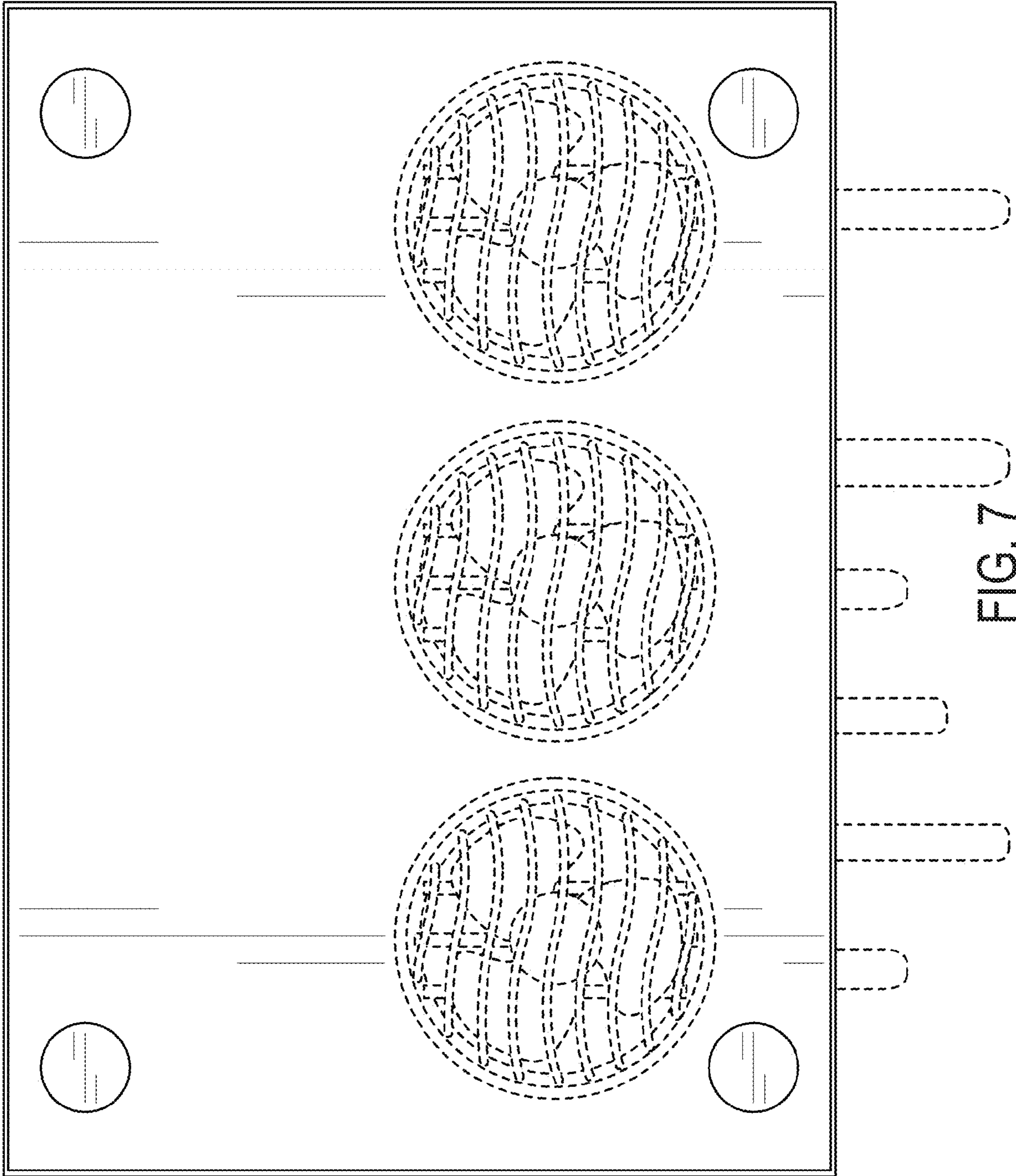


FIG. 7