



US00D900481S

(12) **United States Design Patent** (10) **Patent No.:** **US D900,481 S**
Chen (45) **Date of Patent:** **** Nov. 3, 2020**

(54) **HAIRBRUSH**
(71) Applicant: **Jia-Yan Chen**, Zhejiang (CN)
(72) Inventor: **Jia-Yan Chen**, Zhejiang (CN)
(73) Assignee: **NINGBO LET IT BE ARTS AND CRAFTS CO., LTD.**, Ningbo (CN)

3,314,096 A * 4/1967 Berliner A46B 9/10
15/207.2
D543,705 S * 6/2007 Leung D4/133
D820,603 S * 6/2018 Yoon D4/138
D845,644 S * 4/2019 Kuo D4/134
D874,833 S * 2/2020 York D4/116
D879,476 S * 3/2020 Renette D4/138

(**) Term: **15 Years**

(21) Appl. No.: **29/672,198**

(22) Filed: **Dec. 4, 2018**

(51) **LOC (12) Cl.** **04-02**

(52) **U.S. Cl.**
USPC **D4/133**

(58) **Field of Classification Search**
USPC D4/100, 116, 121, 130, 132, 134, 136,
D4/138, 199; D28/13, 24, 28, 31, 35, 25,
D28/15
CPC A46B 9/02; A46B 9/023; A46B 9/028;
A46B 15/0059; A46B 2200/104
See application file for complete search history.

(56) **References Cited**

U.S. PATENT DOCUMENTS

674,120 A * 5/1901 Montgomery A46B 7/04
15/176.5
1,654,036 A * 12/1927 Carpenter A46B 13/04
15/180
2,770,827 A * 11/1956 Brandenburg A46B 11/063
401/291

FOREIGN PATENT DOCUMENTS

CN 305805131 * 5/2020
EM 000629928-0002 * 12/2006
EM 005831716-0001 * 2/2019
KR 300967194.0000 * 8/2018

* cited by examiner

Primary Examiner — Karen E Eldridge Powers

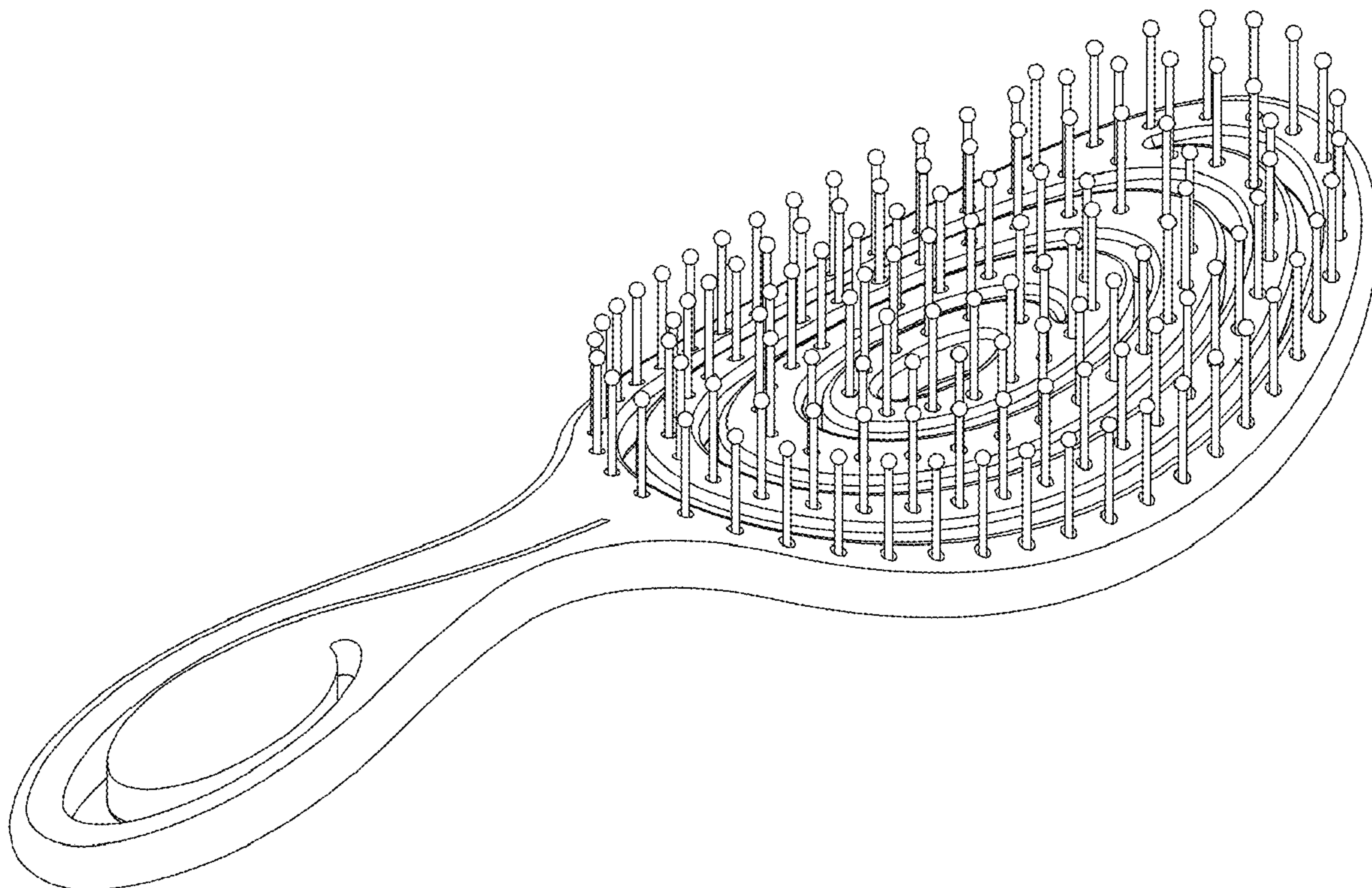
(57) **CLAIM**

The ornamental design for a hairbrush, as shown and described.

DESCRIPTION

FIG. 1 is a perspective view of a hairbrush showing my new design;
FIG. 2 is an enlarged front elevational view thereof;
FIG. 3 is a top plan view thereof;
FIG. 4 is a left side elevational view thereof;
FIG. 5 is an enlarged rear elevational view thereof;
FIG. 6 is a right side elevational view thereof; and,
FIG. 7 is a bottom plan view thereof.

1 Claim, 7 Drawing Sheets



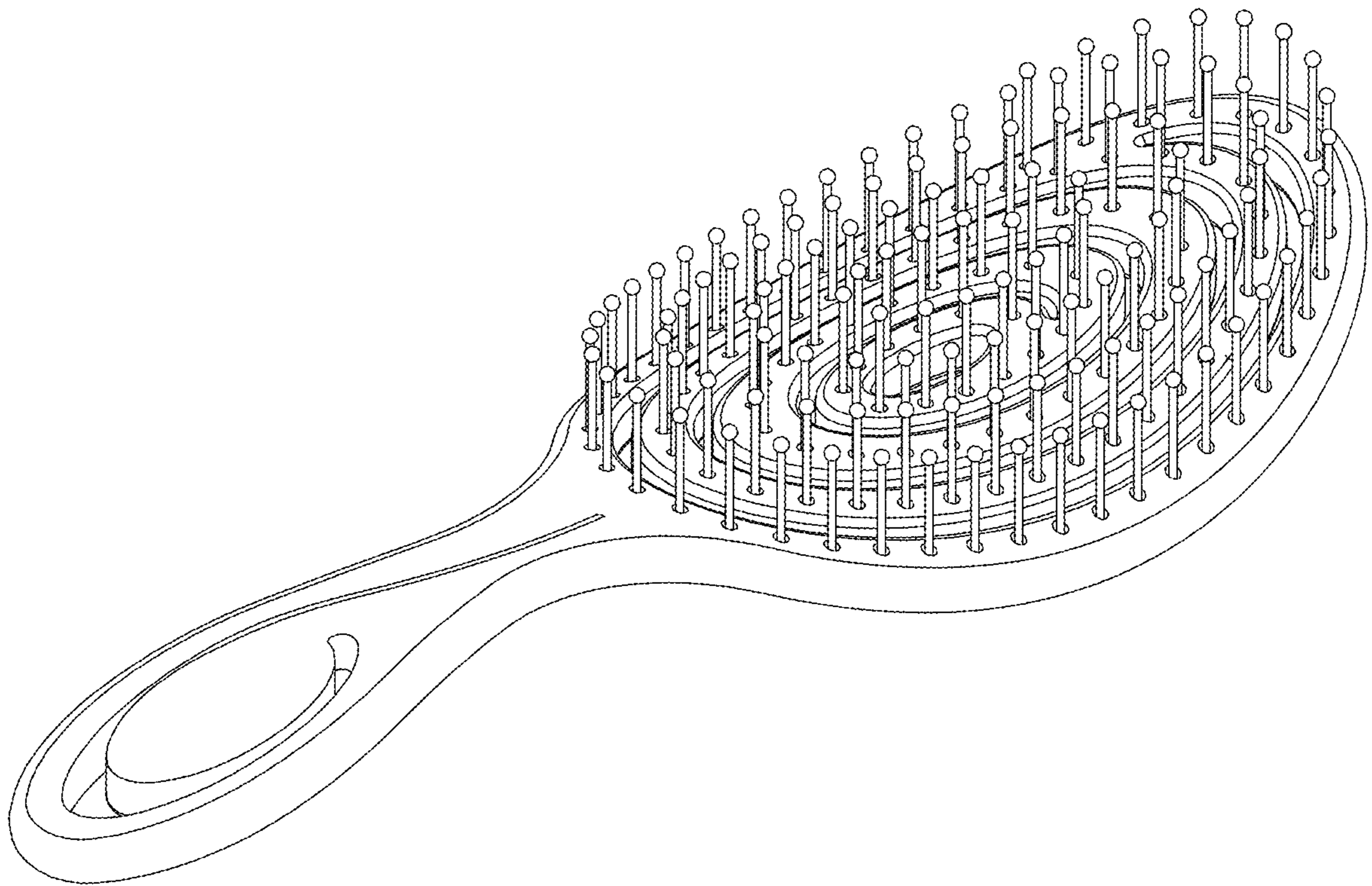


FIG. 1

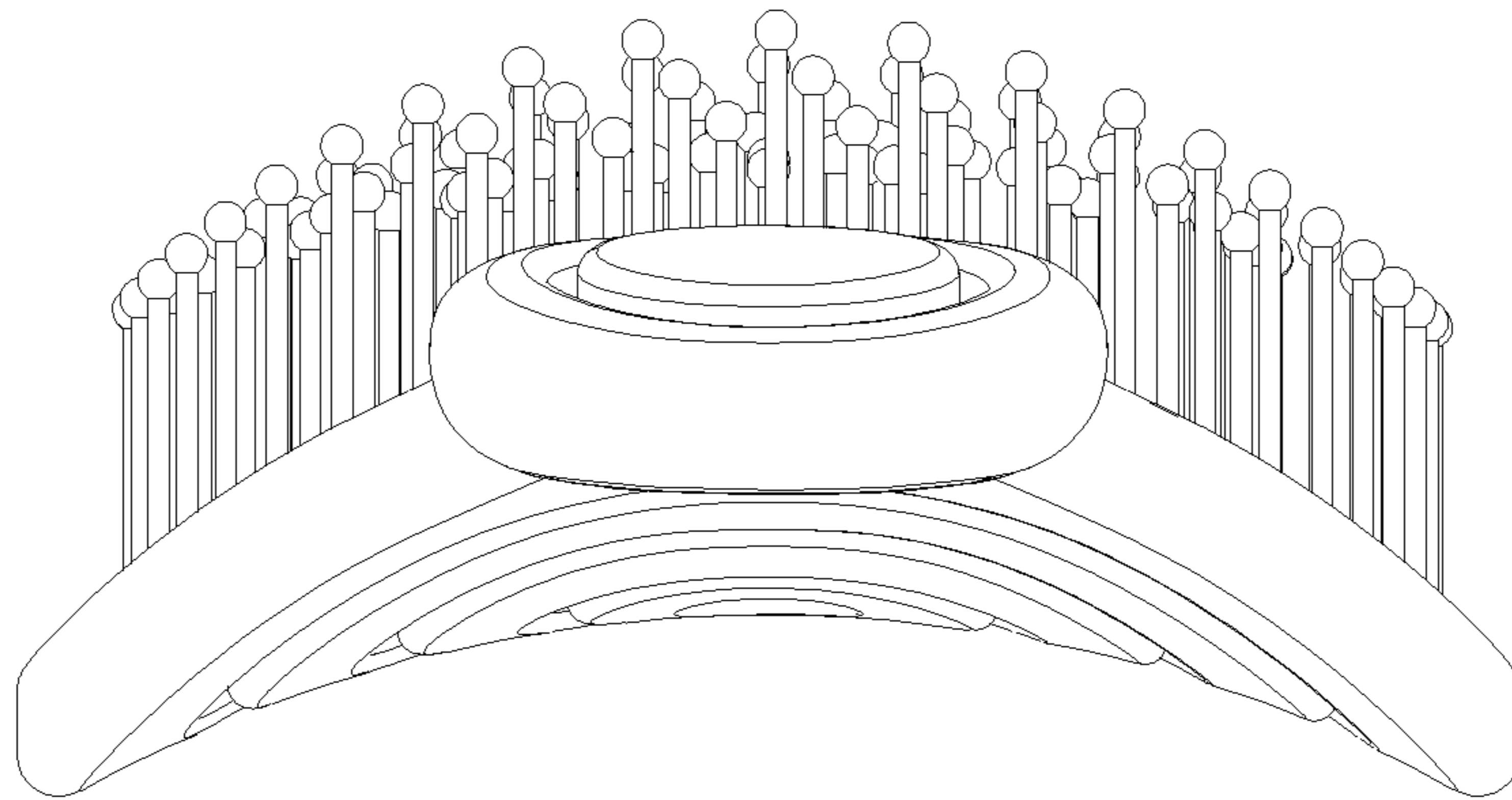


FIG. 2

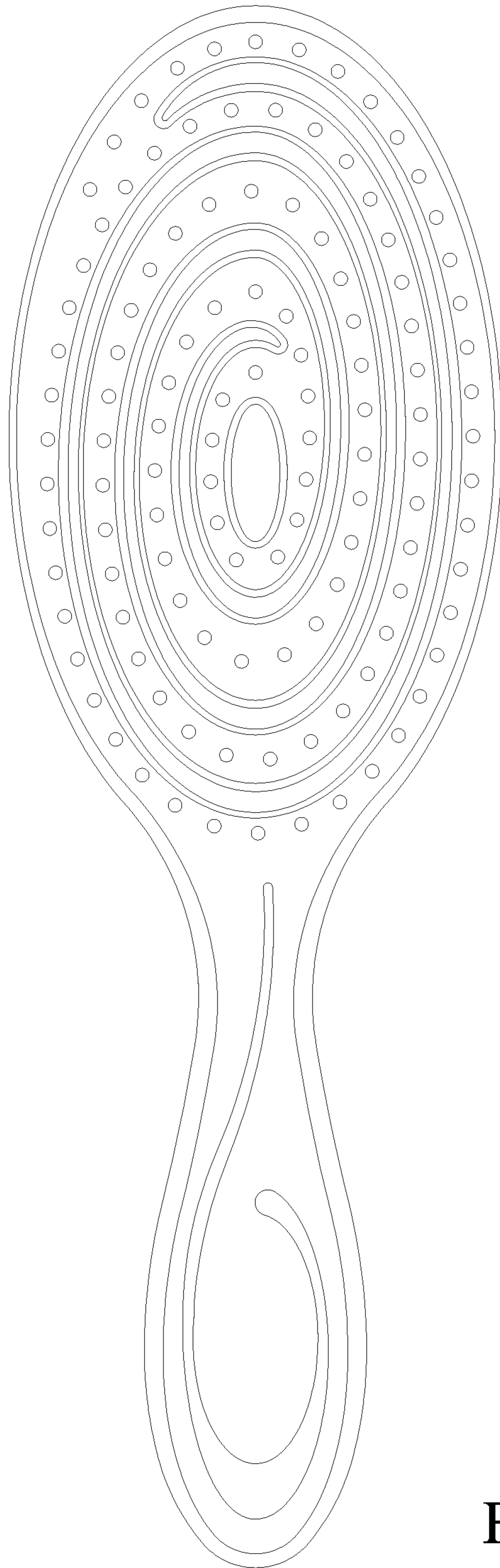


FIG. 3

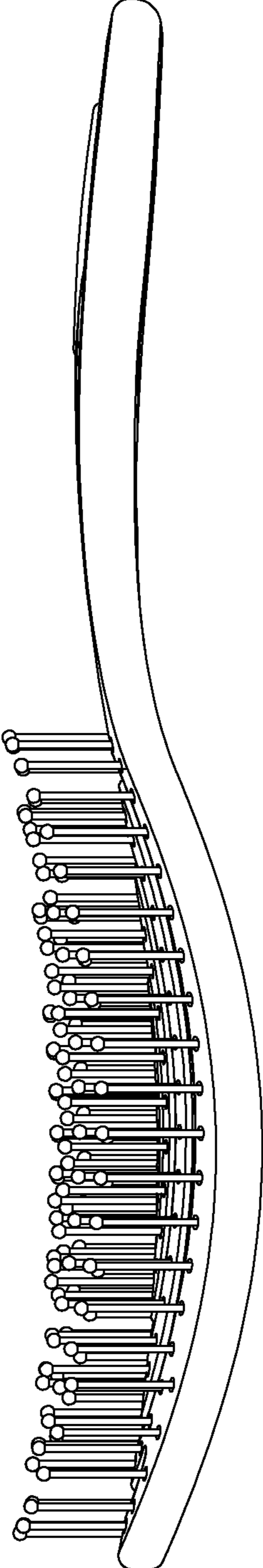


FIG. 4

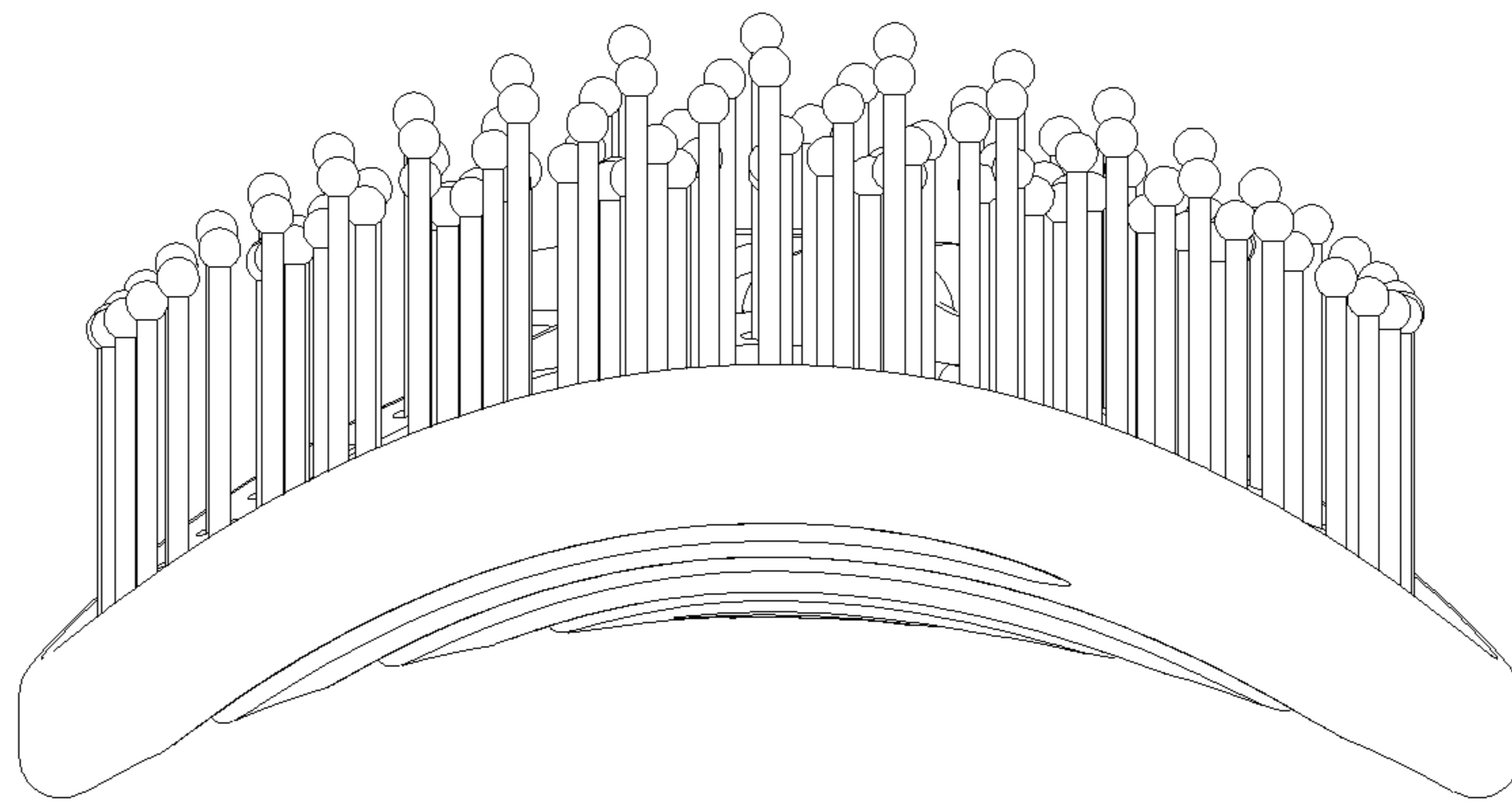


FIG. 5

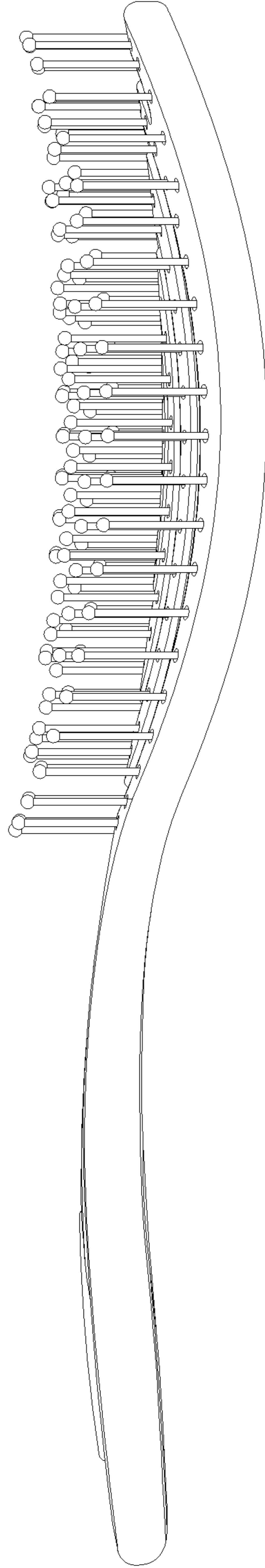


FIG. 6

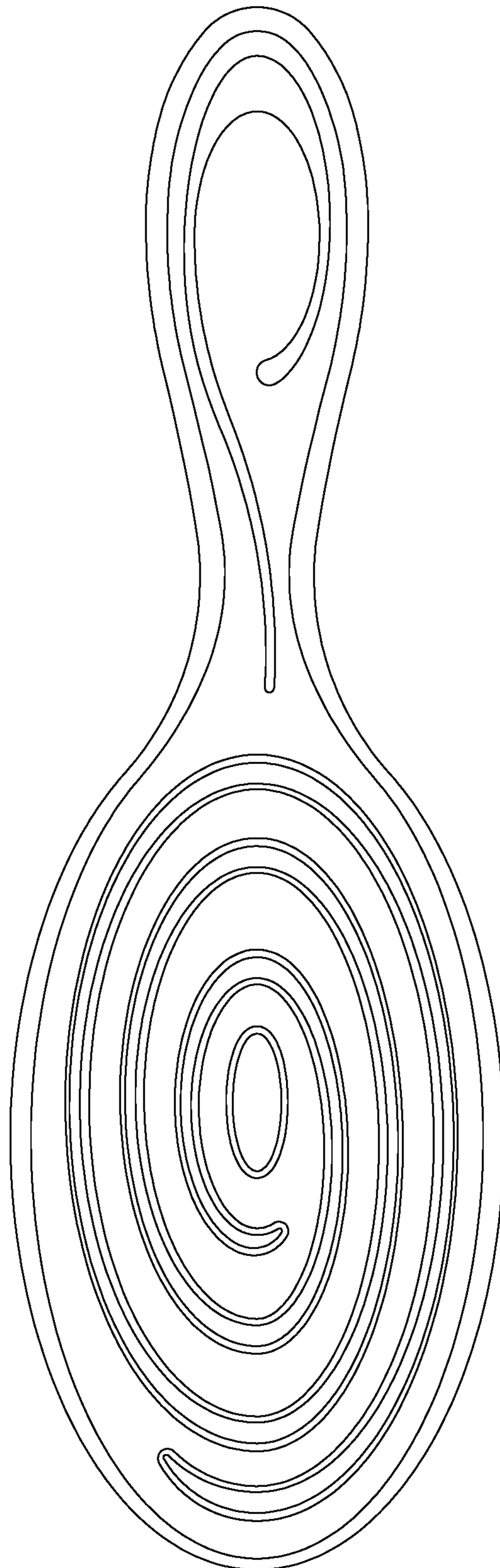


FIG. 7