



US00D900478S

(12) **United States Design Patent** (10) **Patent No.:** **US D900,478 S**
Huang (45) **Date of Patent:** **** Nov. 3, 2020**

(54) **HANDBAG ORGANIZER**

(71) Applicant: **SHENZHEN YIYAJU TRADING CO., LTD.**, Shenzhen (CN)

(72) Inventor: **Weijing Huang**, Shenzhen (CN)

(73) Assignee: **SHENZHEN YIYAJU TRADING CO., LTD.**, Shenzhen (CN)

(**) Term: **15 Years**

(21) Appl. No.: **29/724,111**

(22) Filed: **Feb. 12, 2020**

(51) **LOC (12) Cl.** **03-01**

(52) **U.S. Cl.**
USPC **D3/319; D3/318**

(58) **Field of Classification Search**
USPC D3/318–319
CPC A45C 3/08; A45C 13/08; A45C 13/02;
A45C 1/02; A45C 3/06
See application file for complete search history.

(56) **References Cited**

U.S. PATENT DOCUMENTS

D408,146 S *	4/1999	Briganti	D3/319
6,823,909 B1 *	11/2004	Marsteller	A45C 7/0086 150/104
8,944,628 B2 *	2/2015	Melamed	A45C 3/08 362/156
2005/0263226 A1 *	12/2005	Smithers	A45C 1/02 150/113

OTHER PUBLICATIONS

Handbag organizer. [online]. Amazon, reviewed Jan. 2018 [retrieved on Jul. 7, 2020]. Retrieved from the Internet: <https://amzn.to/2ZKy209> (Year: 2018).*

* cited by examiner

Primary Examiner — Holly H Baynham

(74) *Attorney, Agent, or Firm* — Law Offices of Steven W. Weinrieb

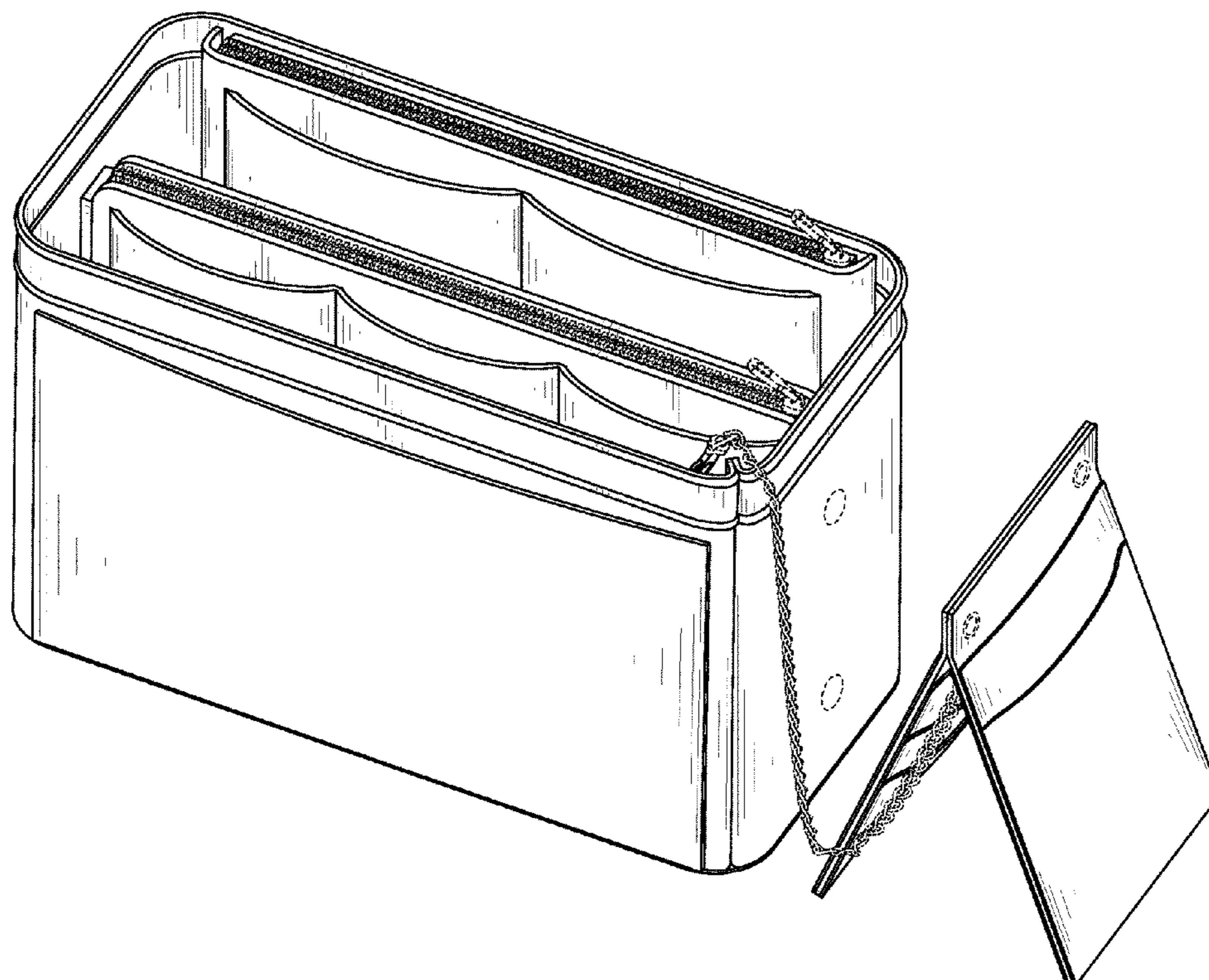
(57) **CLAIM**

The ornamental design for a handbag organizer, as shown and described.

DESCRIPTION

FIG. 1 is a front, right side, top perspective view of a handbag organizer showing my new design; FIG. 2 is a rear, left side, bottom perspective view thereof; FIG. 3 is a front elevational view thereof; FIG. 4 is a rear elevational view thereof; FIG. 5 is a left side elevational view thereof; FIG. 6 is a right side elevational view thereof; FIG. 7 is a top plan view thereof; FIG. 8 is a bottom plan view thereof; and, FIG. 9 is a front, right side, top perspective view of the handbag organizer when one of the components of the handbag organizer is removed from the handbag organizer. The broken lines depict portions of the handbag organizer that form no part of the claimed design.

1 Claim, 9 Drawing Sheets



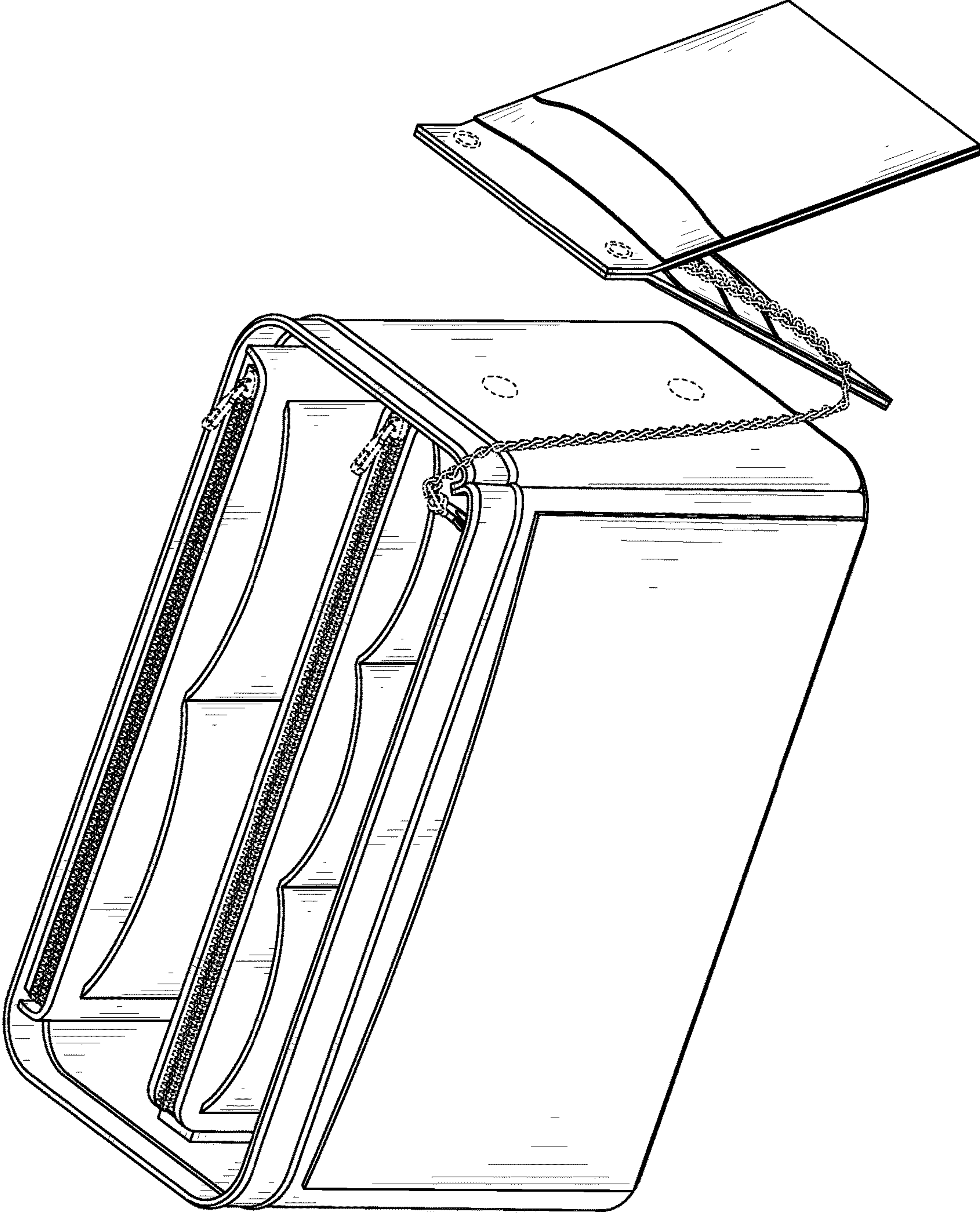


FIG. 1

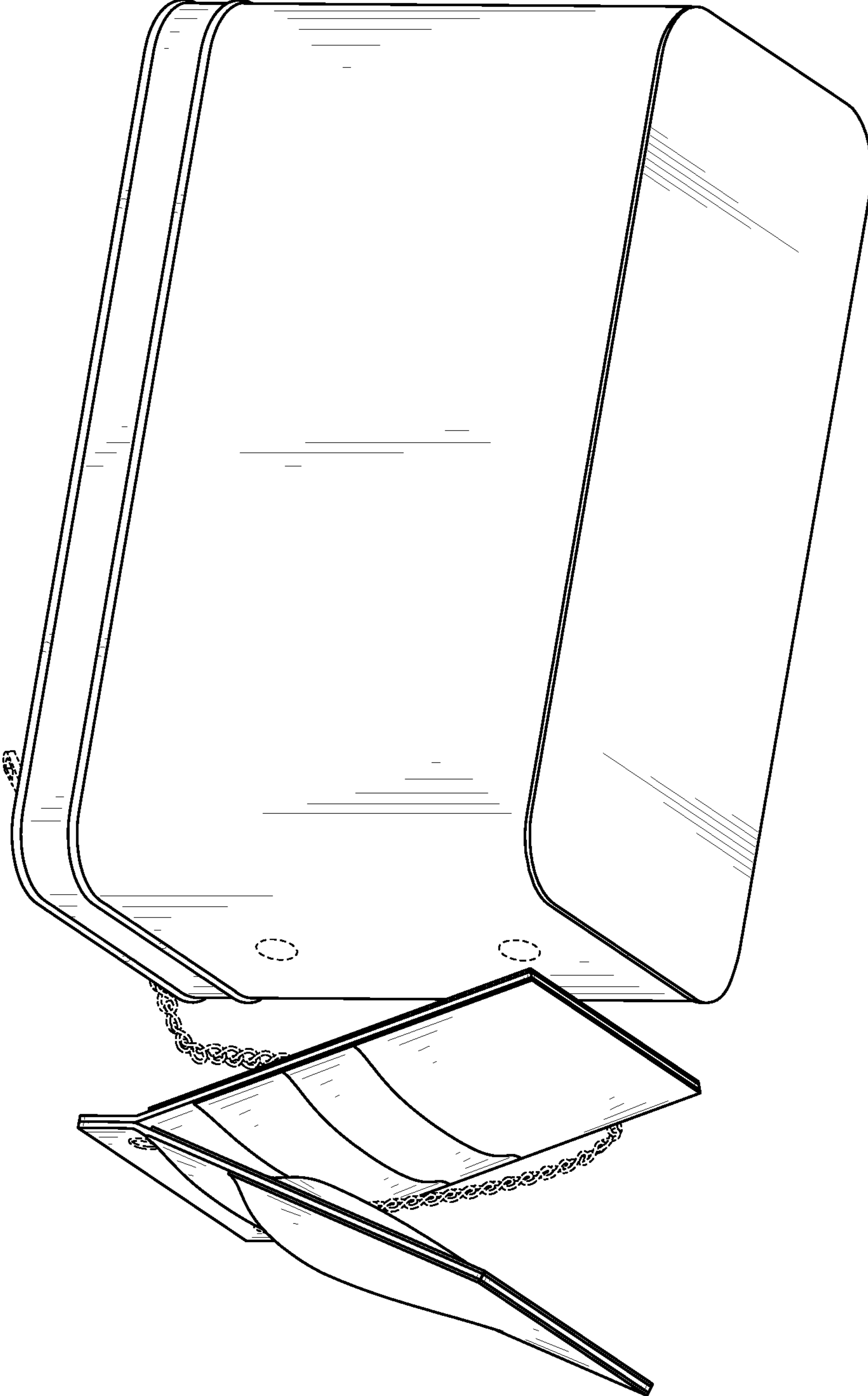


FIG. 2

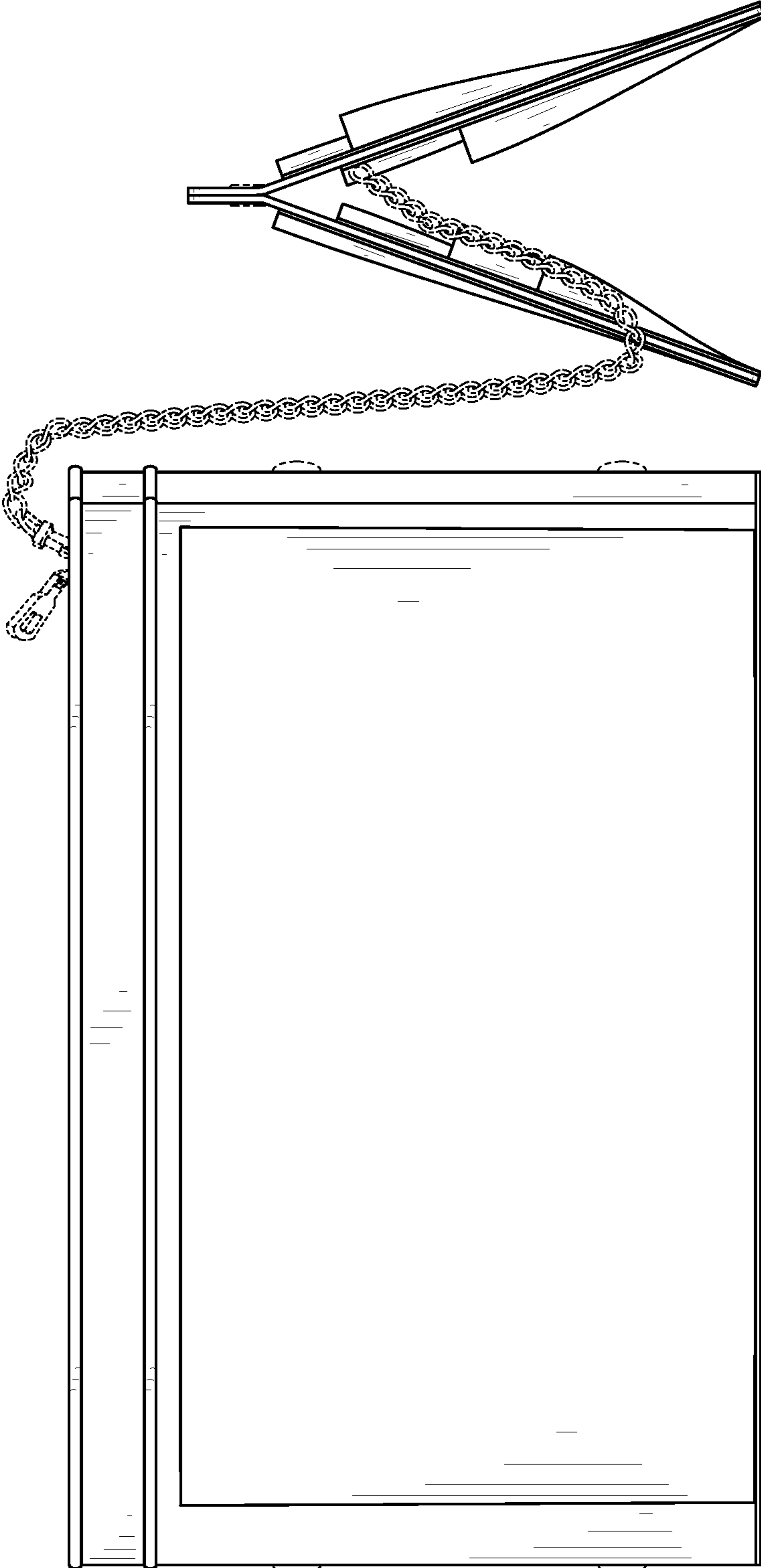


FIG. 3

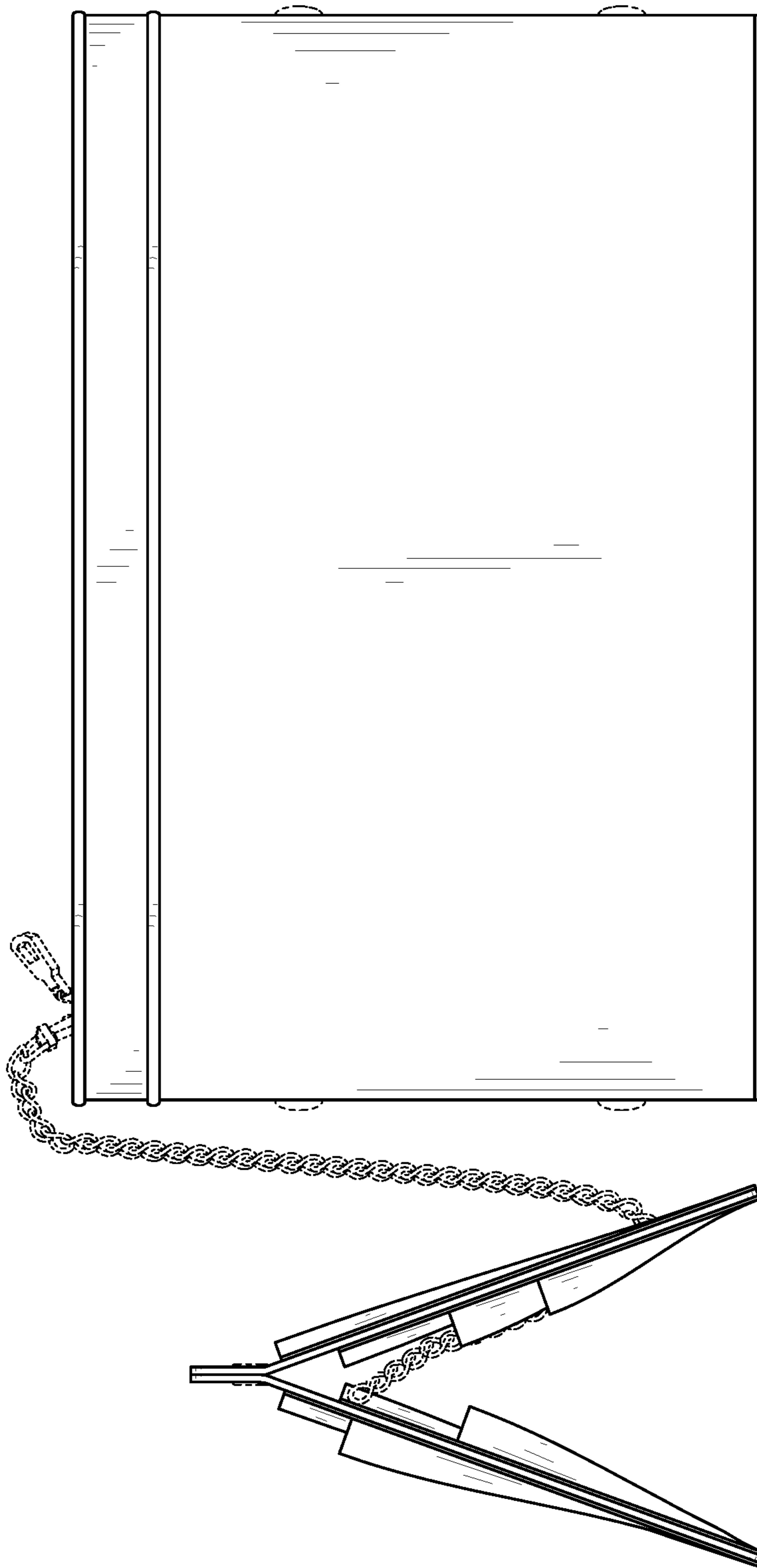


FIG. 4

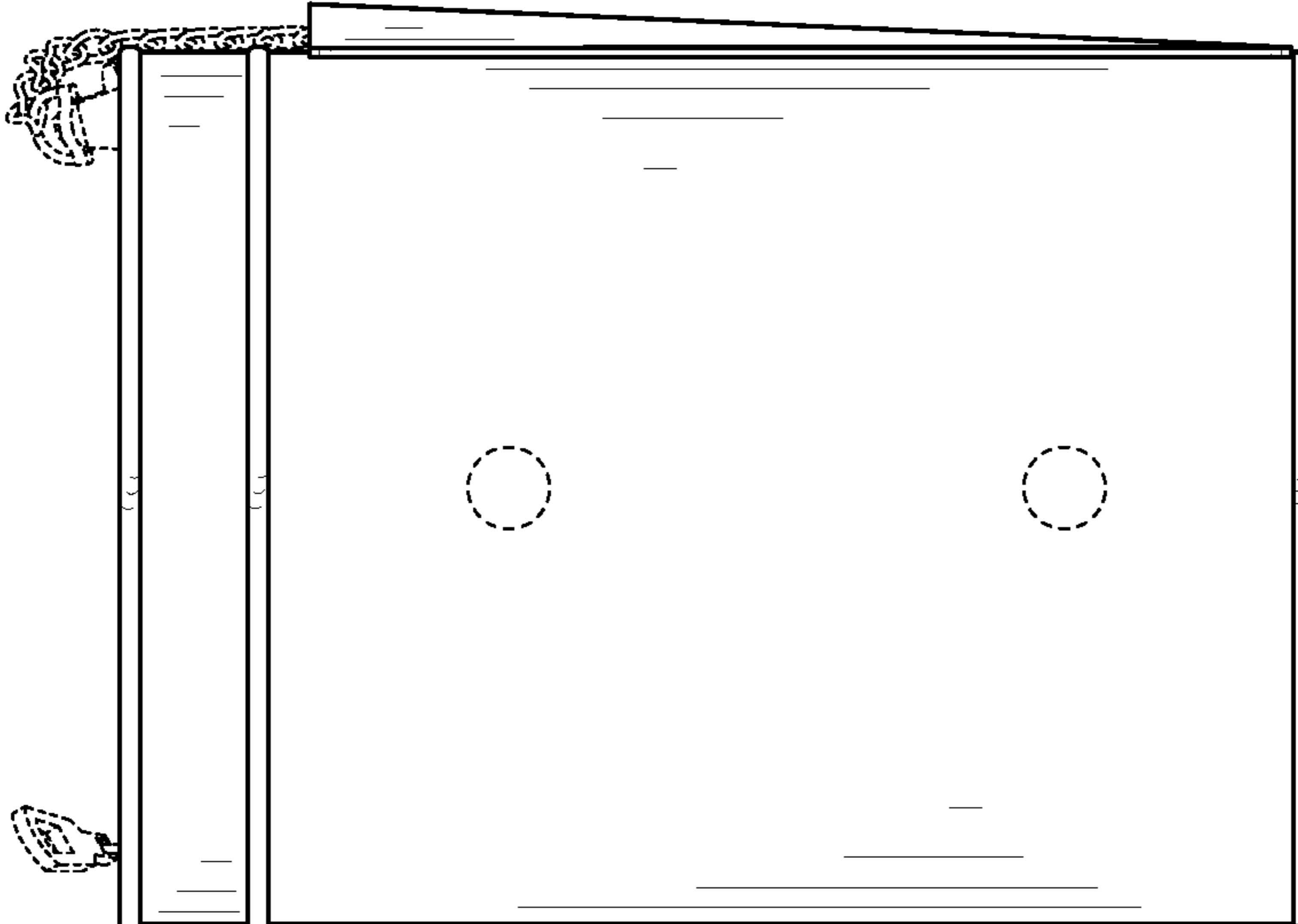


FIG. 5

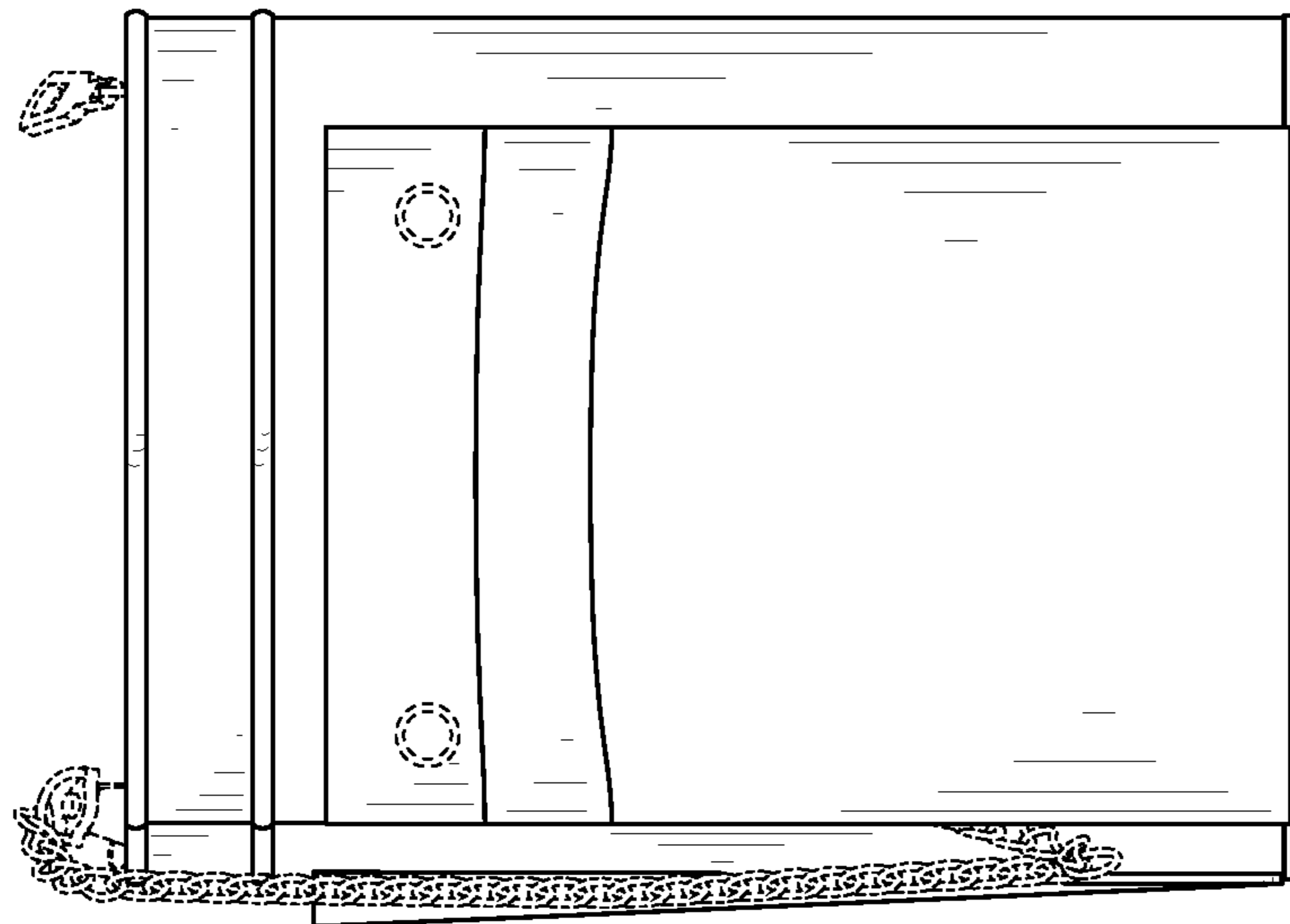


FIG. 6

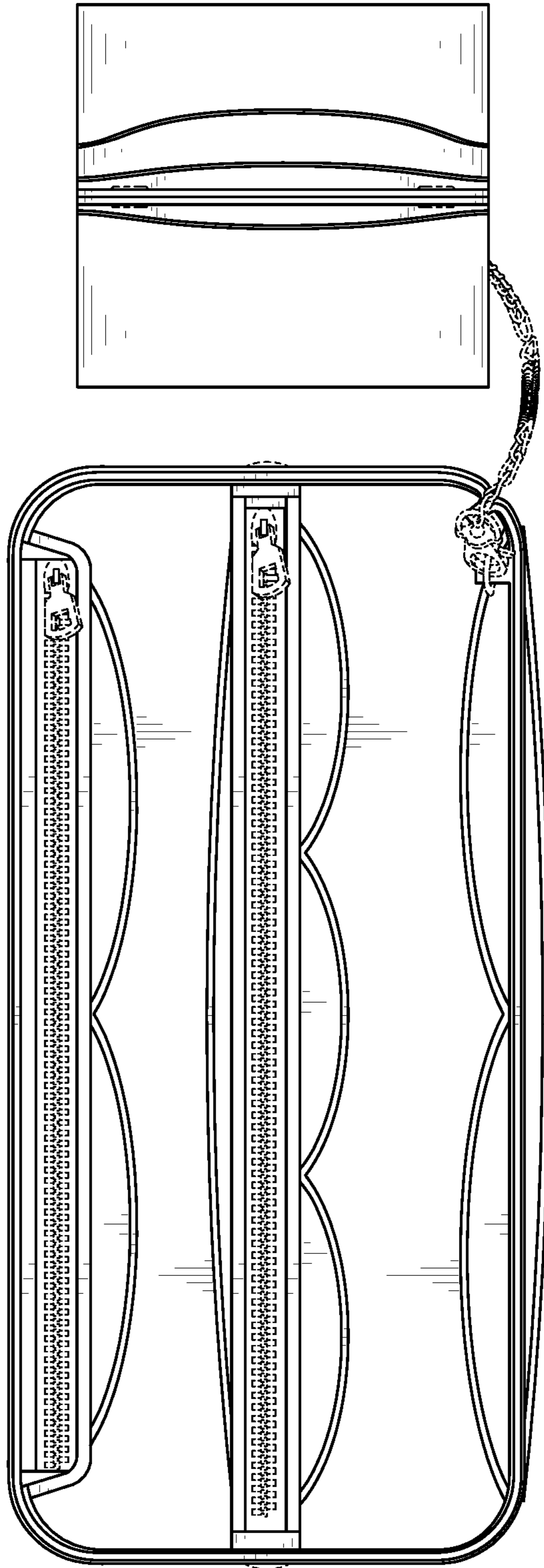


FIG. 7

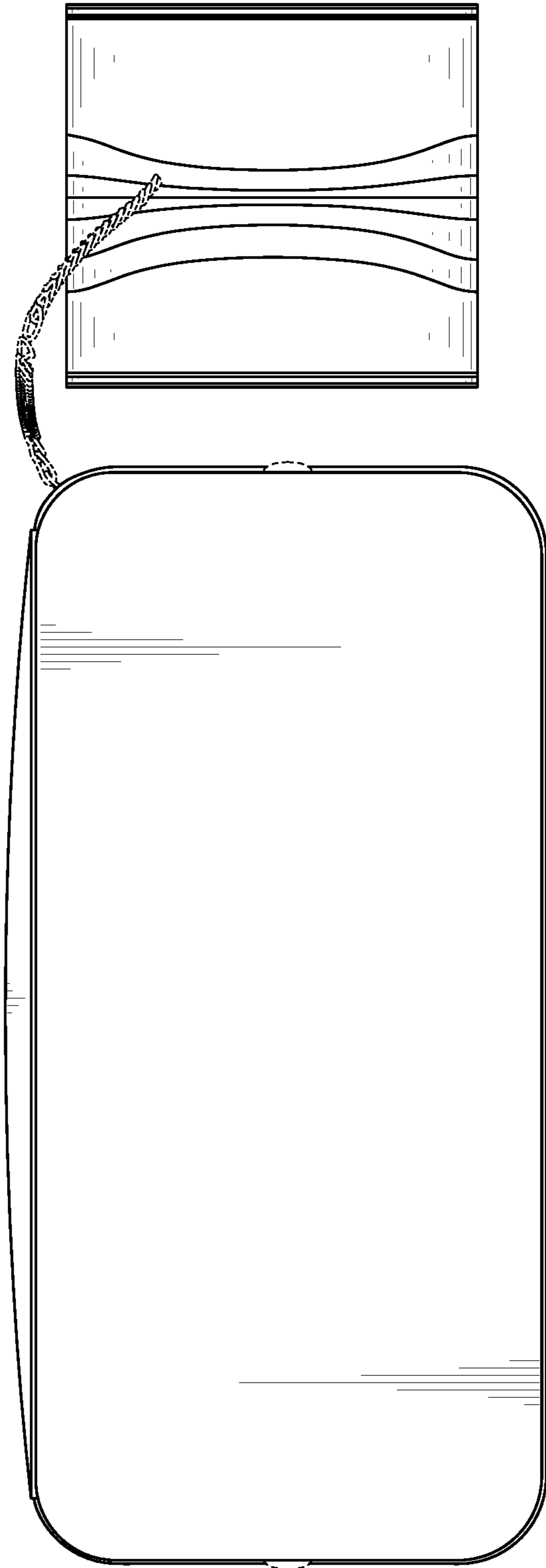


FIG. 8

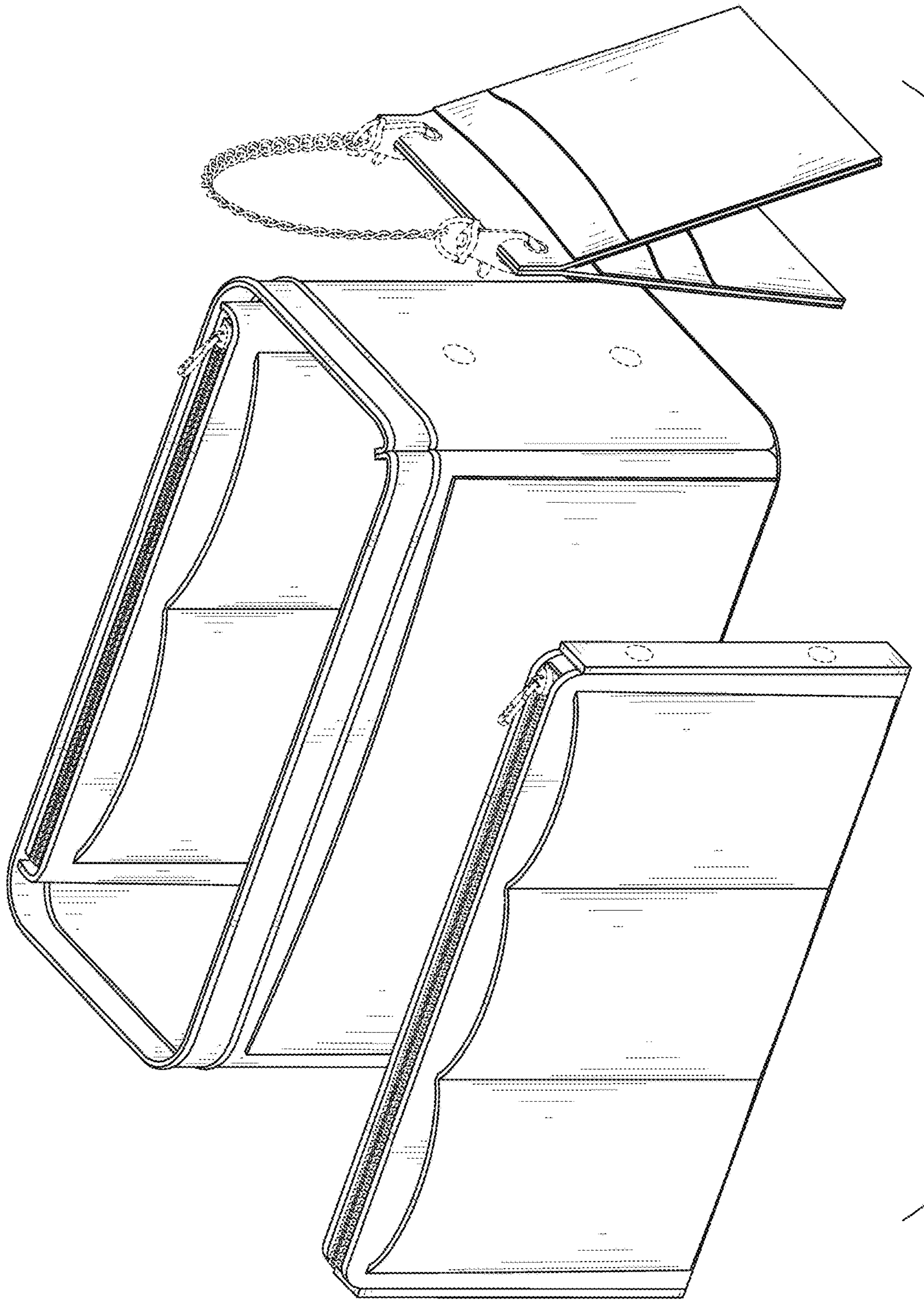


FIG. 9