



US00D900477S

(12) **United States Design Patent** (10) **Patent No.:** **US D900,477 S**
Huang (45) **Date of Patent:** **** Nov. 3, 2020**

(54) **PURSE ORGANIZER WITH WATER HOLDER**

D734,026 S 7/2015 Givens
D846,283 S 4/2019 Blaser
D847,495 S 5/2019 Zhang
D862,879 S 10/2019 Lange
D873,561 S 1/2020 Hubbell
2005/0263226 A1* 12/2005 Smithers A45C 1/02
150/113

(71) Applicant: **SHENZHEN YIJAJU TRADING CO., LTD.**, Shenzhen (CN)

(72) Inventor: **Weijing Huang**, Shenzhen (CN)

(73) Assignee: **SHENZHEN YIJAJU TRADING CO., LTD.**, Shenzhen (CN)

(**) Term: **15 Years**

(21) Appl. No.: **29/724,110**

(22) Filed: **Feb. 12, 2020**

(51) **LOC (12) Cl.** **03-01**

(52) **U.S. Cl.**
USPC **D3/319**

(58) **Field of Classification Search**
USPC D3/318-319
CPC .. A45C 3/06; A45C 1/02; A45C 13/02; A45C 13/08; A45C 3/08

See application file for complete search history.

(56) **References Cited**

U.S. PATENT DOCUMENTS

D381,506 S 7/1997 Roeder
D408,146 S * 4/1999 Briganti D3/319
6,823,909 B1 * 11/2004 Marsteller A45C 7/0086
150/104
D528,303 S 9/2006 Hillerich
D588,357 S 3/2009 Fabricius
D588,808 S 3/2009 Devito-Ramsay
D609,002 S 2/2010 Sammons
D631,653 S 2/2011 Brown
D712,139 S 9/2014 Klusener
8,944,628 B2 * 2/2015 Melamed A45C 3/08
362/156
D732,294 S 6/2015 Hu

OTHER PUBLICATIONS

Handbag organizer. [online]. Amazon, reviewed Jan. 2018 [retrieved on Jul. 7, 2020]. Retrieved from the Internet: <https://amzn.to/2ZKy209> (Year: 2018).*

* cited by examiner

Primary Examiner — Holly H Baynham

(74) *Attorney, Agent, or Firm* — Law Offices of Steven W. Weinrieb

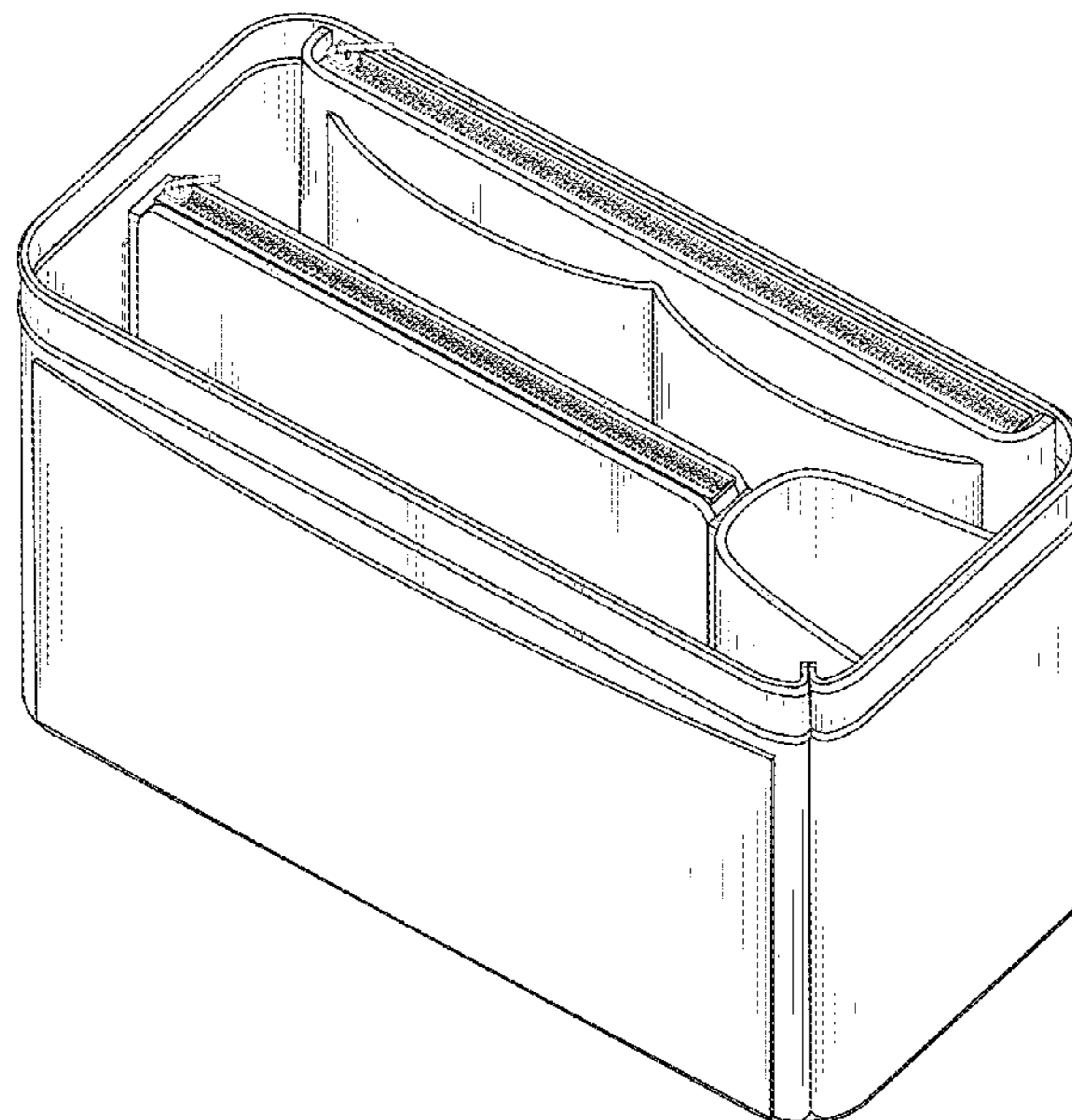
(57) **CLAIM**

The ornamental design for a purse organizer with water holder, as shown and described.

DESCRIPTION

FIG. 1 is a front, right side, top perspective view of a purse organizer with water holder showing my new design; FIG. 2 is a rear, left side, bottom perspective view thereof; FIG. 3 is a front elevational view thereof; FIG. 4 is a rear elevational view thereof; FIG. 5 is a left side elevational view thereof; FIG. 6 is a right side elevational view thereof; FIG. 7 is a top plan view thereof; FIG. 8 is a bottom plan view thereof; and, FIG. 9 is a front, right side, top perspective view of the purse organizer with water holder when one of the components of the purse organizer with water holder is removed from the purse organizer with water holder. The broken lines depict portions of the purse organizer with water holder that form no part of the claimed design.

1 Claim, 9 Drawing Sheets



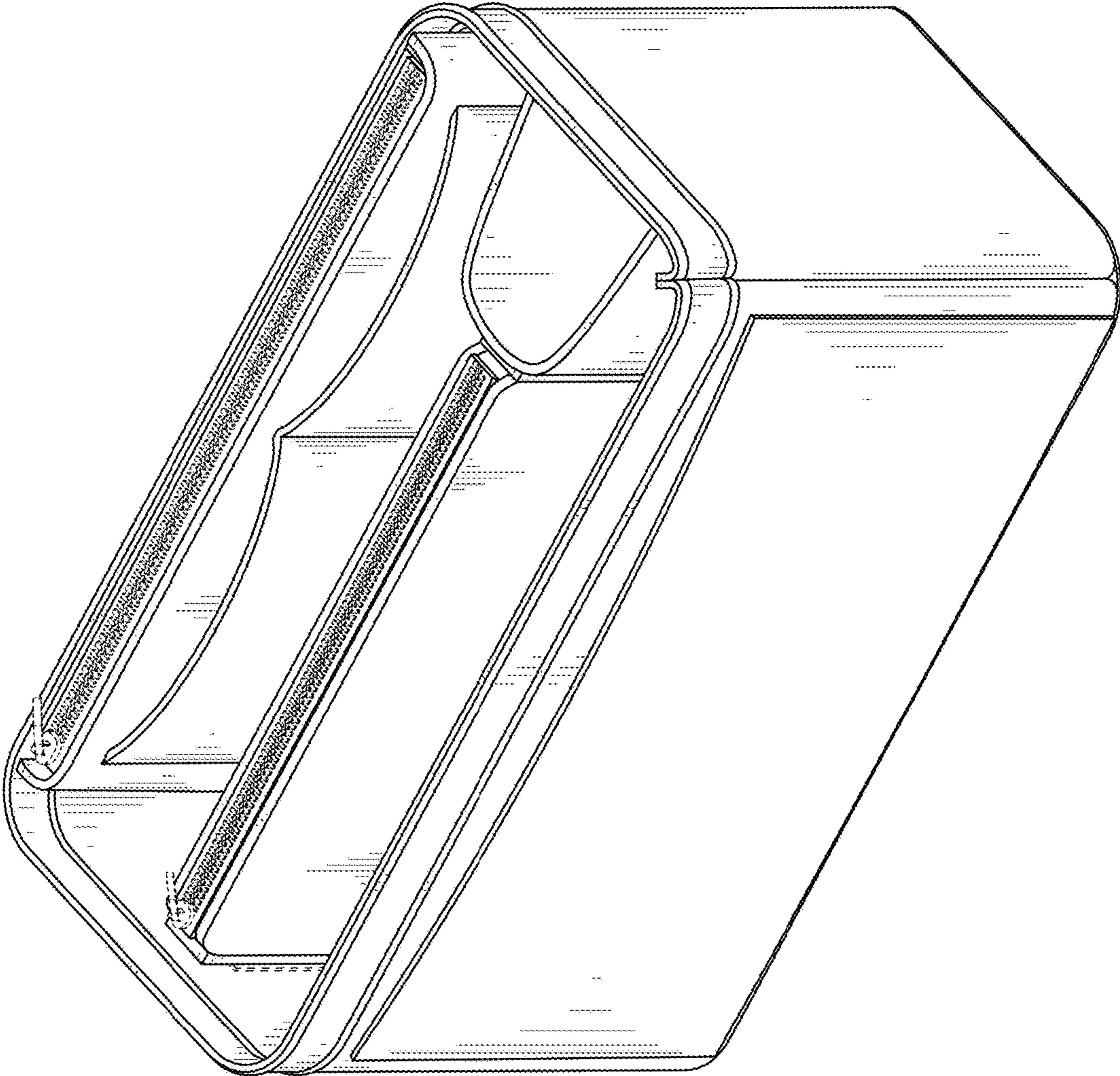


FIG. 1

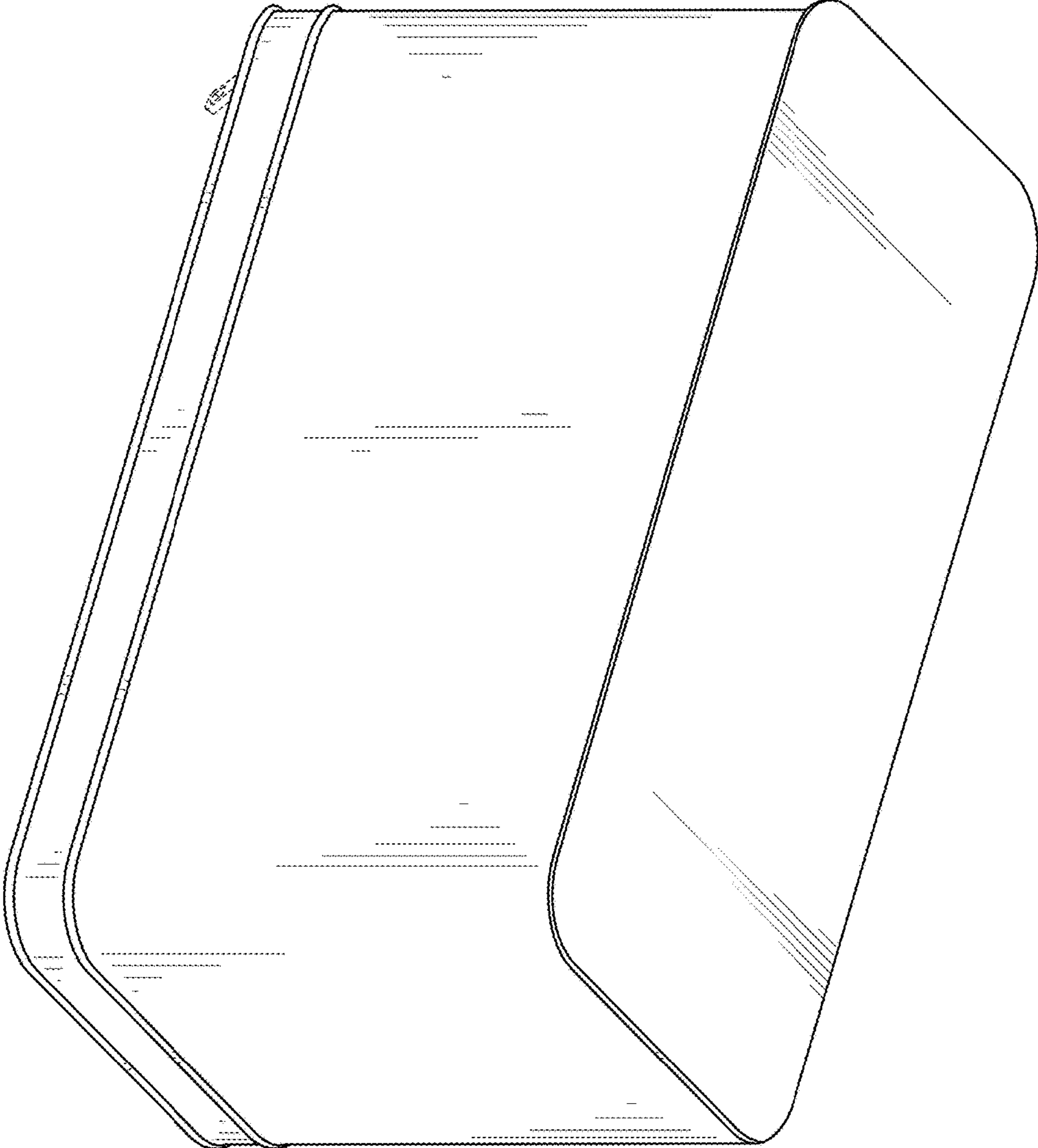


FIG. 2

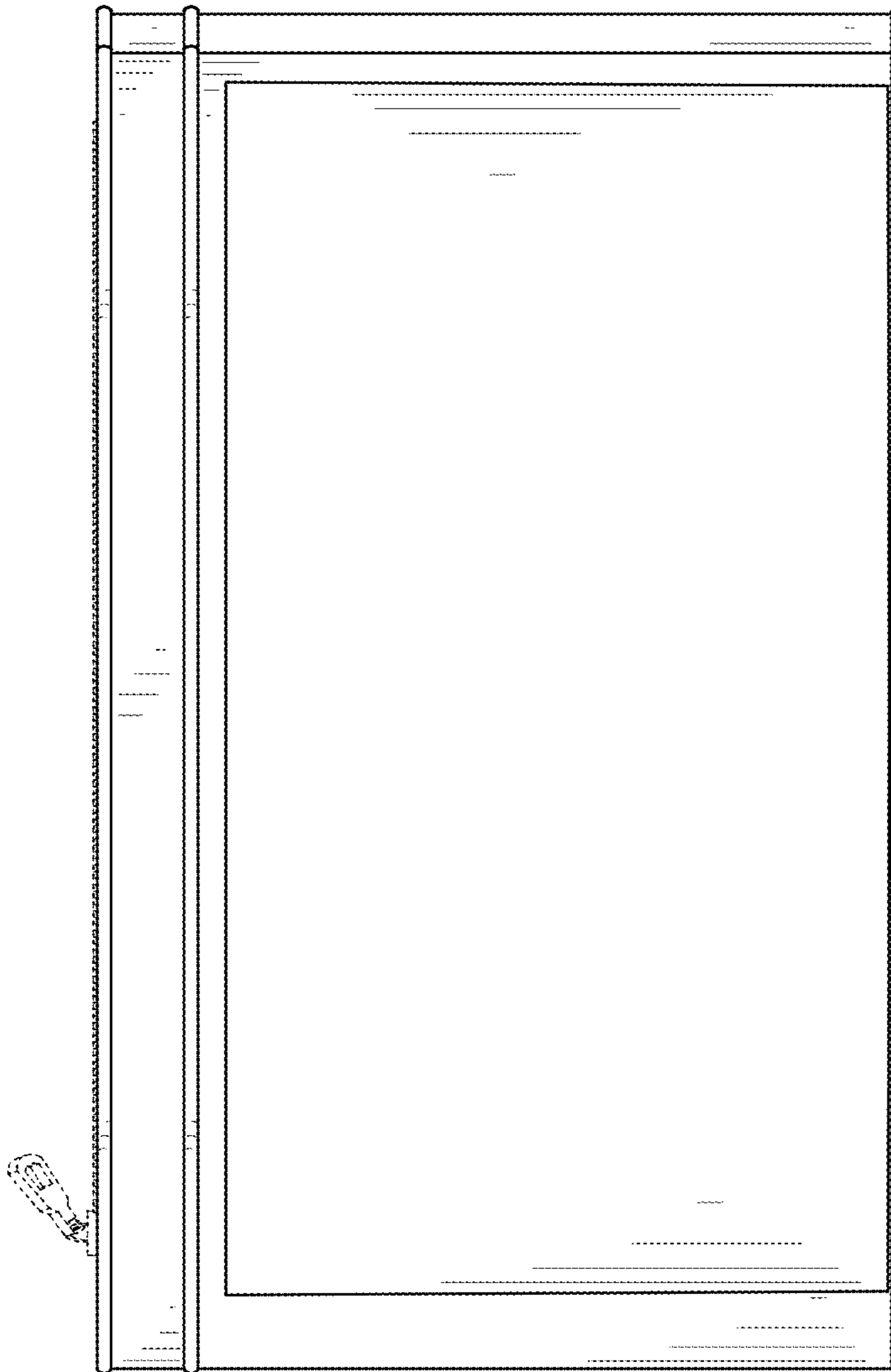


FIG. 3

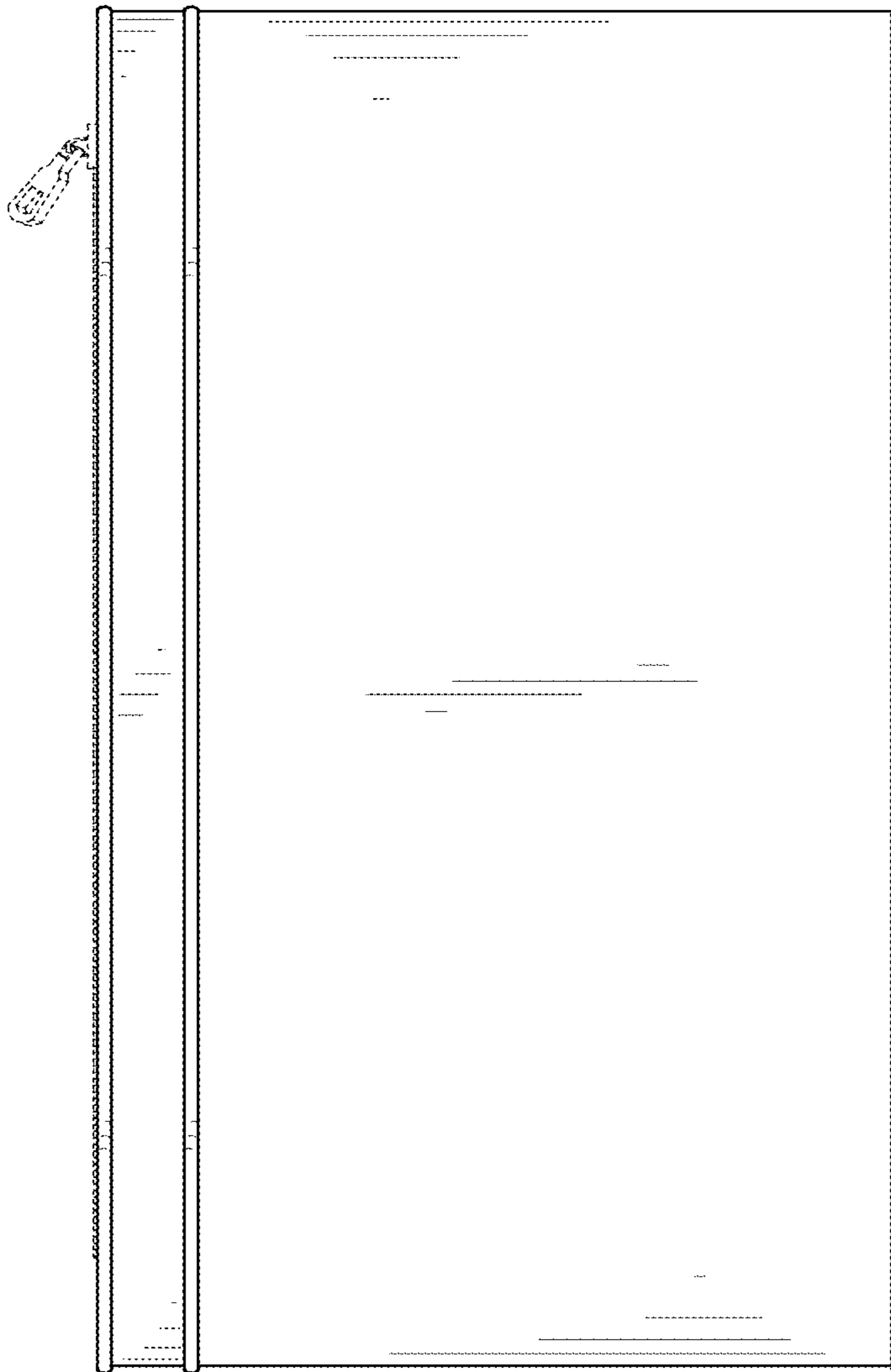


FIG. 4

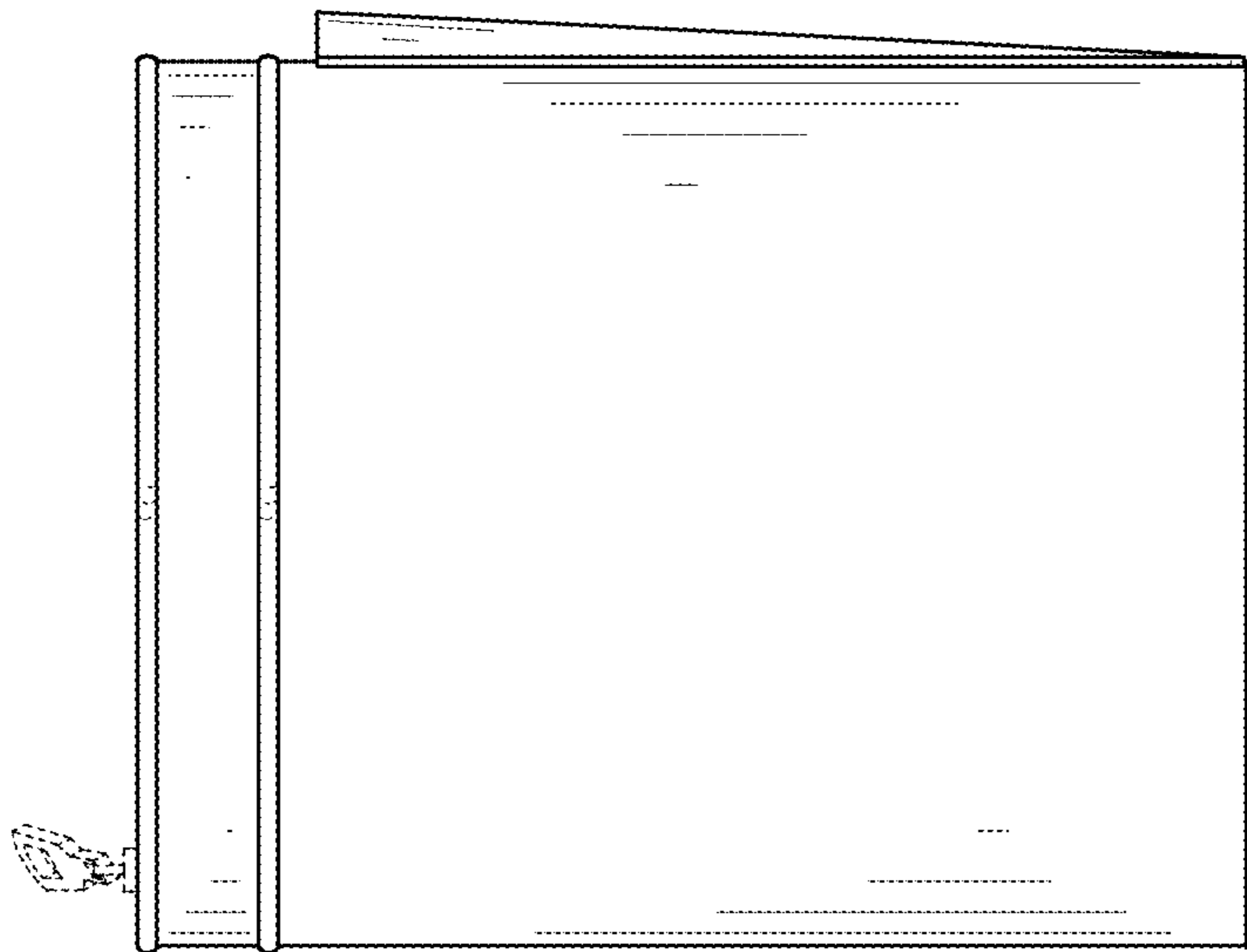


FIG. 5

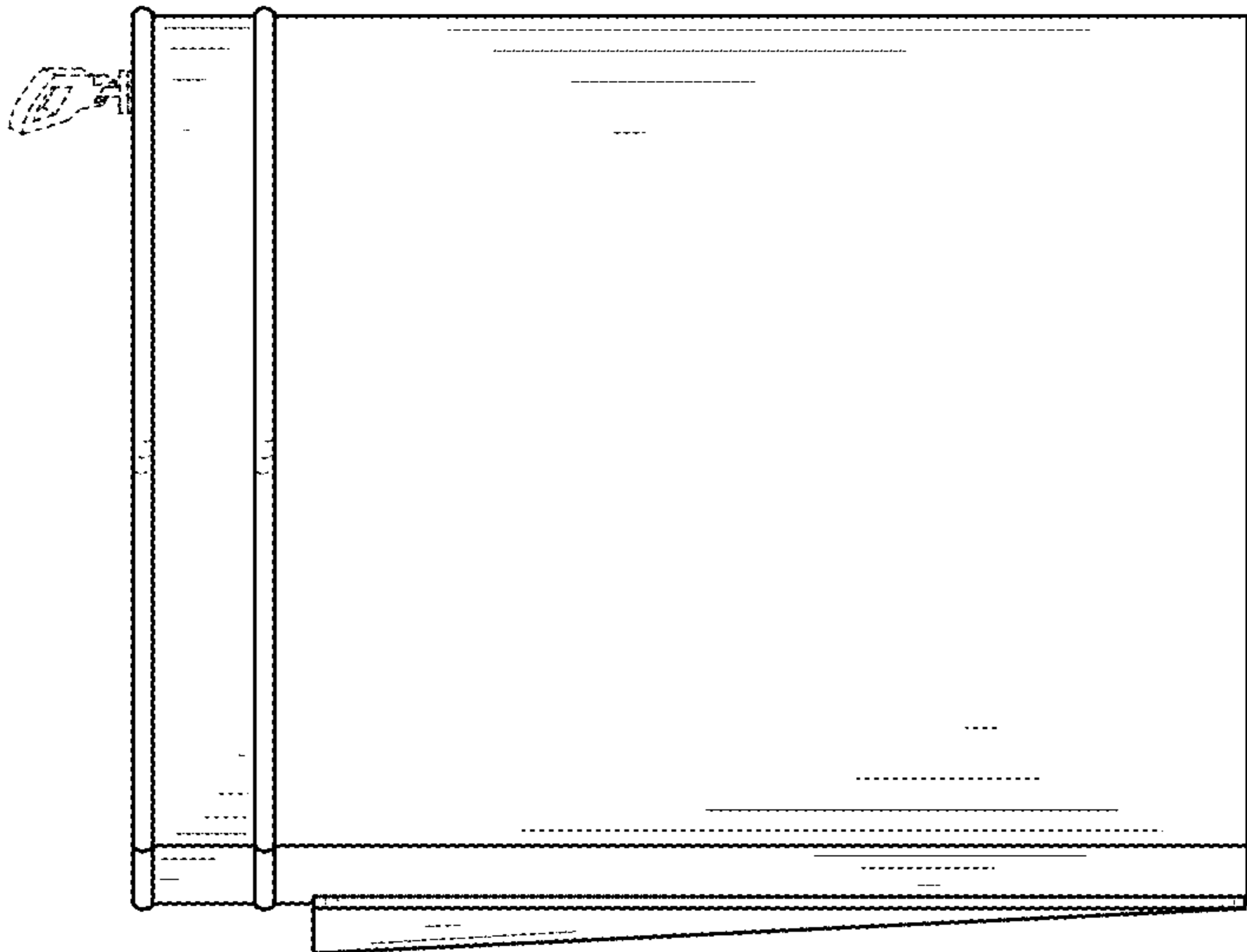


FIG. 6

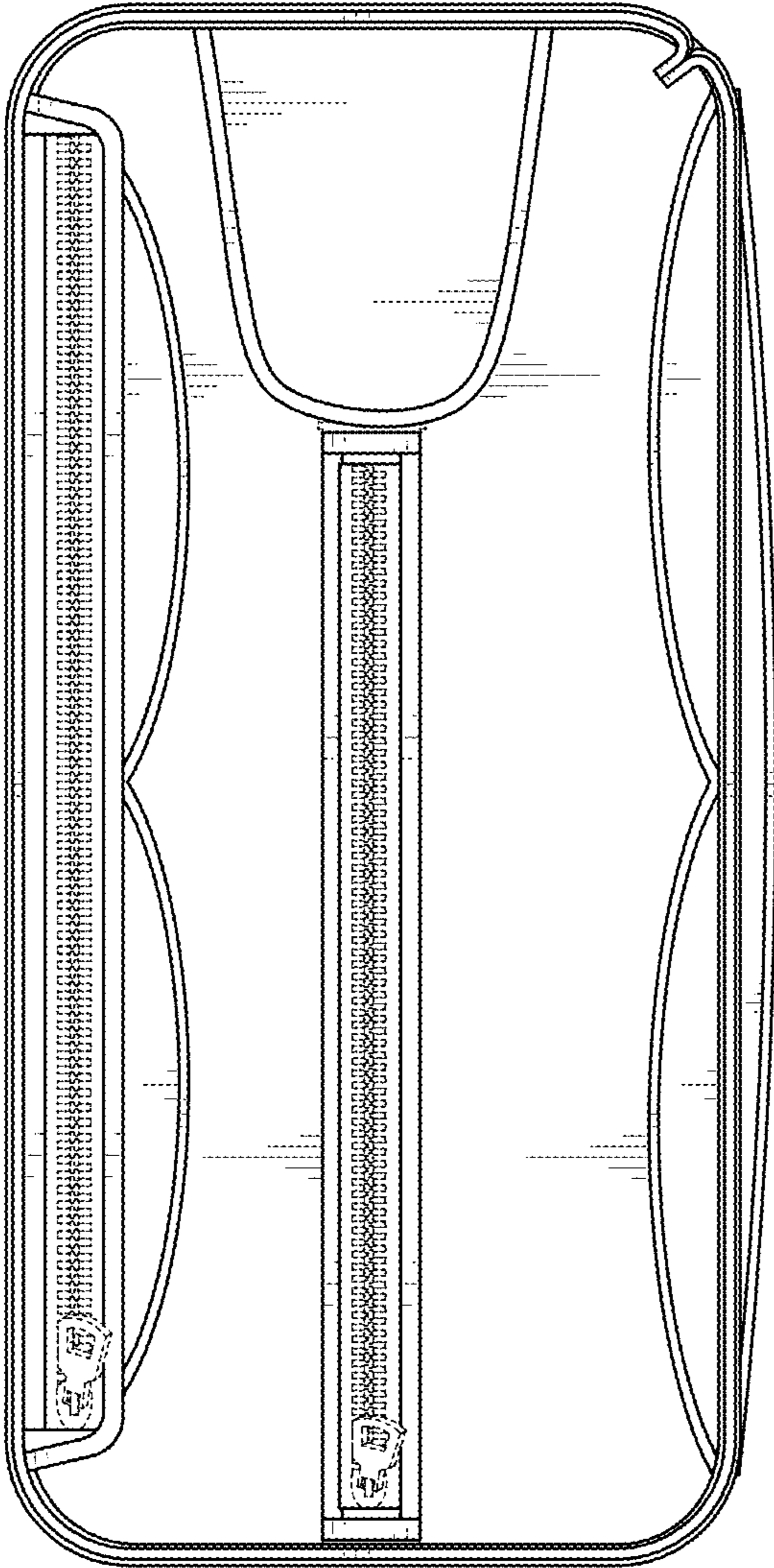


FIG. 7

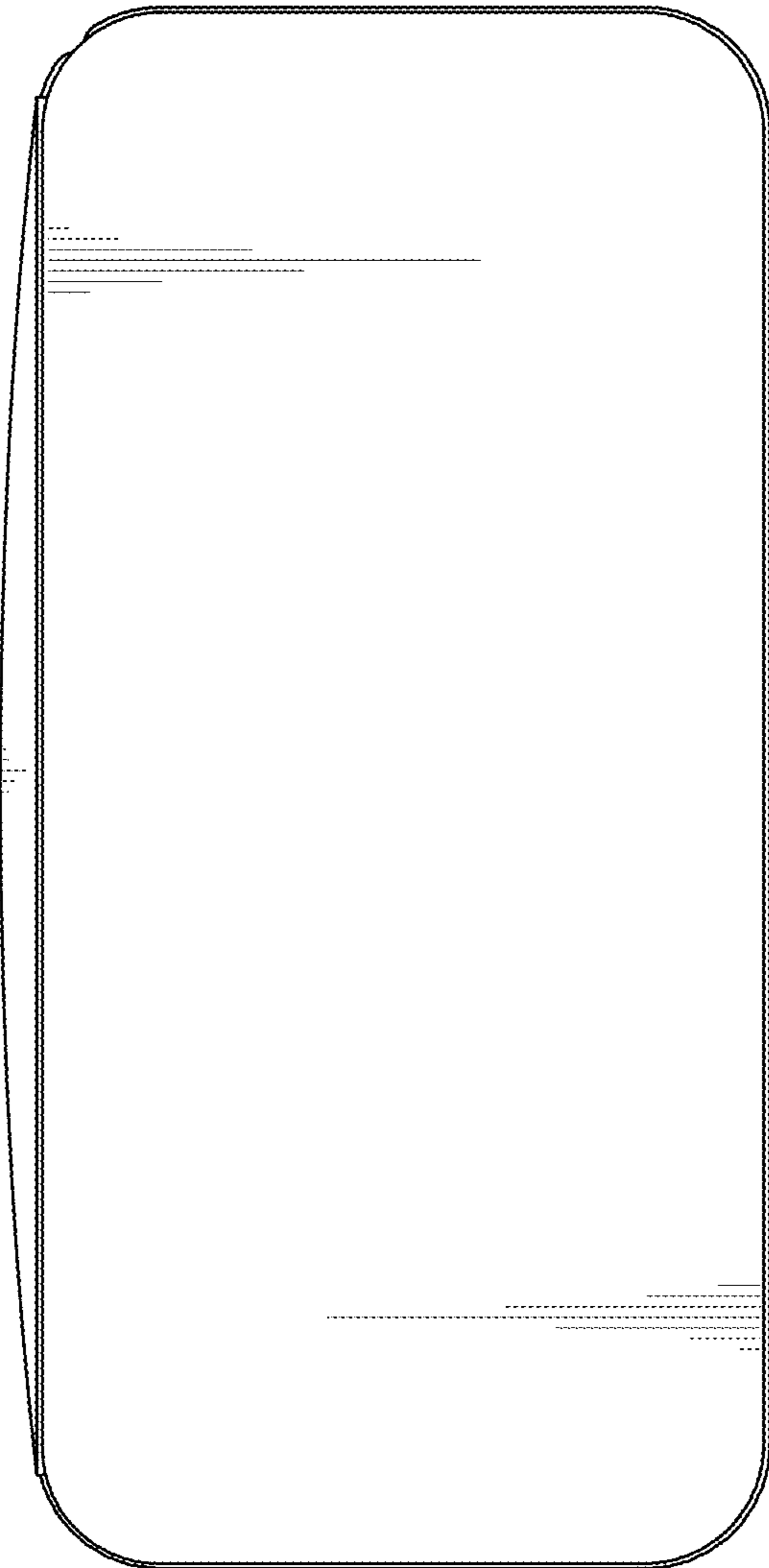


FIG. 8

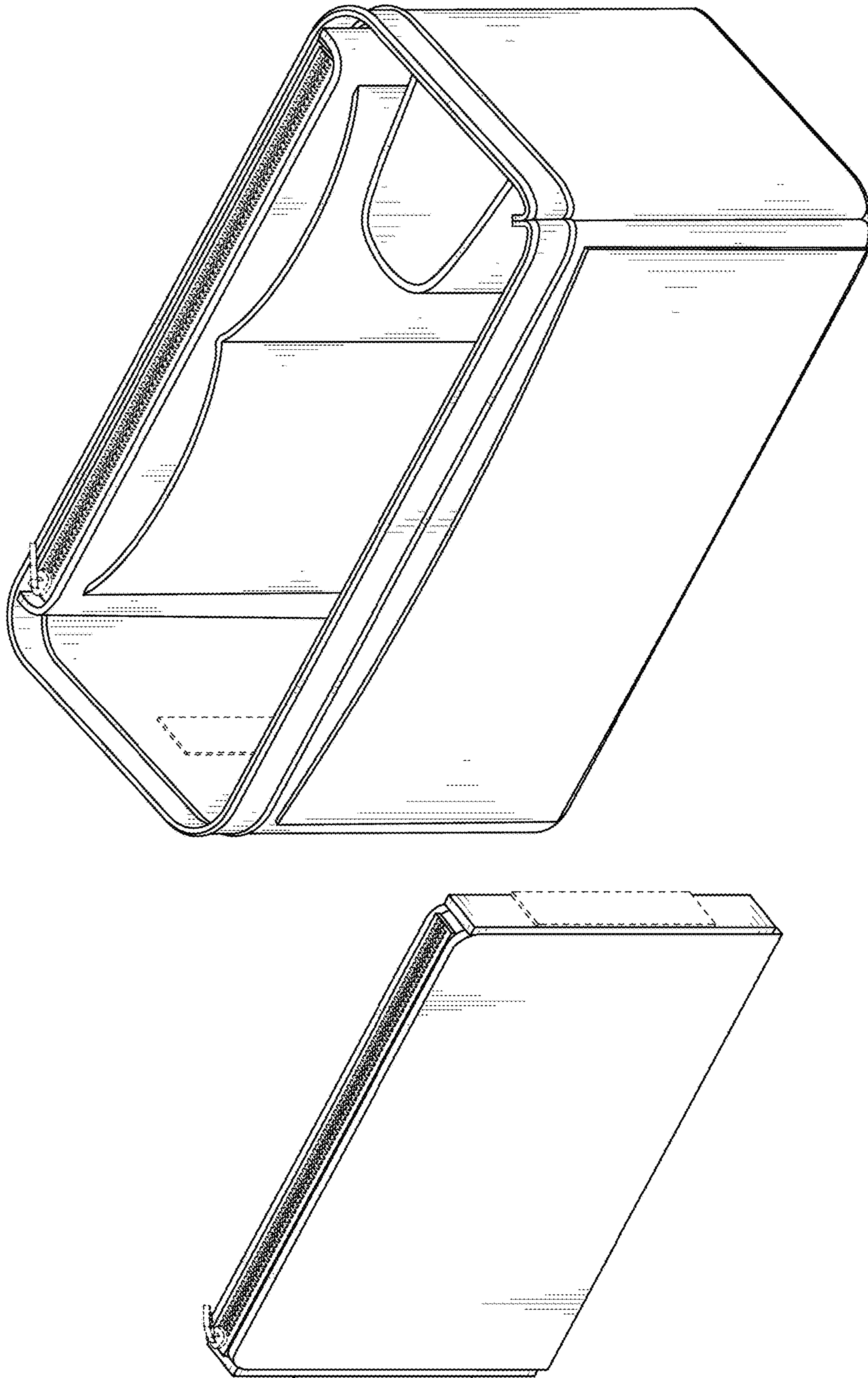


FIG. 9