



US00D900476S

(12) **United States Design Patent**
McBride

(10) **Patent No.:** **US D900,476 S**

(45) **Date of Patent:** **** Nov. 3, 2020**

(54) **DRAWER**

(71) Applicant: **InterDesign, Inc.**, Solon, OH (US)

(72) Inventor: **Sara Czukal McBride**, Wickliffe, OH (US)

(73) Assignee: **InterDesign, Inc.**, Solon, OH (US)

(**) Term: **15 Years**

(21) Appl. No.: **29/680,170**

(22) Filed: **Feb. 14, 2019**

Related U.S. Application Data

(63) Continuation-in-part of application No. 29/585,140, filed on Nov. 21, 2016, now abandoned, and a continuation-in-part of application No. 29/602,126, filed on Apr. 28, 2017, now abandoned, which is a continuation of application No. 29/492,902, filed on Jun. 4, 2014, now Pat. No. Des. 787,922, which is a continuation of application No. 29/416,358, filed on Mar. 21, 2012, now Pat. No. Des. 709,289.

(51) **LOC (12) Cl.** **03-01**

(52) **U.S. Cl.**
USPC **D3/319**

(58) **Field of Classification Search**
USPC D3/302, 295, 319, 304; D6/705, 657
CPC B65D 85/60; B65D 2543/00277; B65D 81/05; B65D 81/203; B65D 51/28; B65D 77/02

See application file for complete search history.

(56) **References Cited**

U.S. PATENT DOCUMENTS

D360,778 S * 8/1995 Apt, III D6/663
D362,567 S * 9/1995 Licari D6/657
D421,678 S * 3/2000 Levy D3/279

D494,759 S * 8/2004 Louie D3/304
D498,375 S * 11/2004 Post D3/306
D501,318 S * 2/2005 Louie D3/304
D505,788 S * 6/2005 Sorrenti D3/304
D516,814 S * 3/2006 Post D3/306
D530,920 S * 10/2006 Snell D3/304
D643,629 S * 8/2011 Sofy D3/302
D657,562 S * 4/2012 McNamara D3/304
D670,111 S * 11/2012 McNamara D6/705
D677,056 S * 3/2013 Hu D3/306
D686,017 S * 7/2013 Gasser D6/705
D708,875 S * 7/2014 McNamara D6/705
D770,771 S * 11/2016 Lisso D3/304
D780,264 S * 2/2017 Greenspon D19/90
D780,846 S * 3/2017 Greenspon D19/77
D818,713 S * 5/2018 Fleming D3/295
D821,749 S * 7/2018 Nilsson D3/302
D825,923 S * 8/2018 Suomela D3/304

(Continued)

Primary Examiner — Holly H Baynham

(74) *Attorney, Agent, or Firm* — Calfee, Halter & Griswold LLP

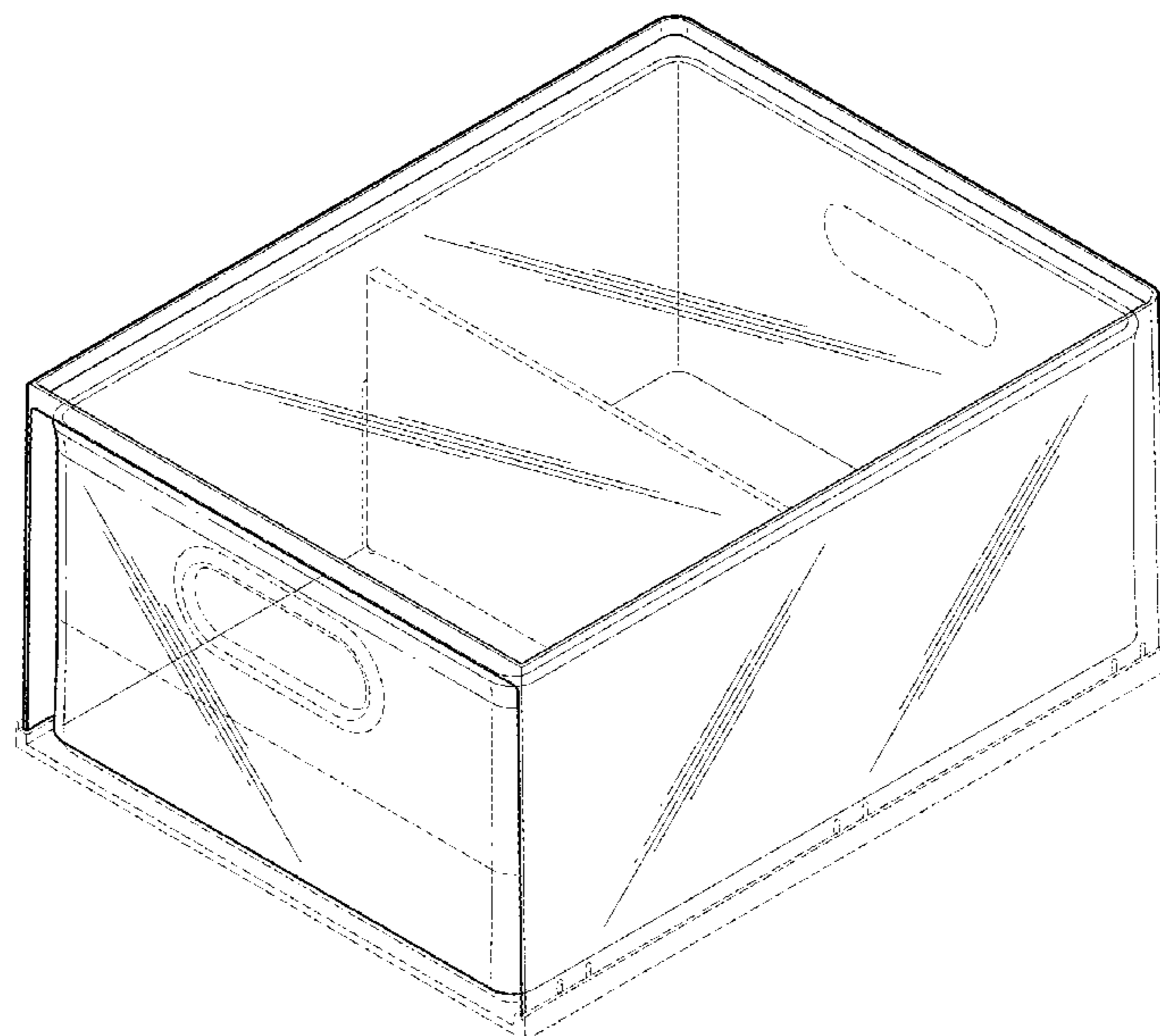
(57) **CLAIM**

I claim the ornamental design for a drawer, as shown and described.

DESCRIPTION

FIG. 1 is a front, right, top perspective view of a drawer showing my new design;
FIG. 2 is a rear, left, bottom perspective view thereof;
FIG. 3 is a top plan view thereof;
FIG. 4 is a bottom plan view thereof;
FIG. 5 is a front elevational view thereof;
FIG. 6 is a rear elevational view thereof;
FIG. 7 is a side view thereof; and,
FIG. 8 is an opposite side view thereof.
The broken lines are for the purposes of illustrating portions of the drawer that form no part of the claimed design.

1 Claim, 6 Drawing Sheets



(56)

References Cited

U.S. PATENT DOCUMENTS

D841,983 S * 3/2019 Wang D3/295
D854,830 S * 7/2019 Criste D3/302

* cited by examiner

FIG. 1

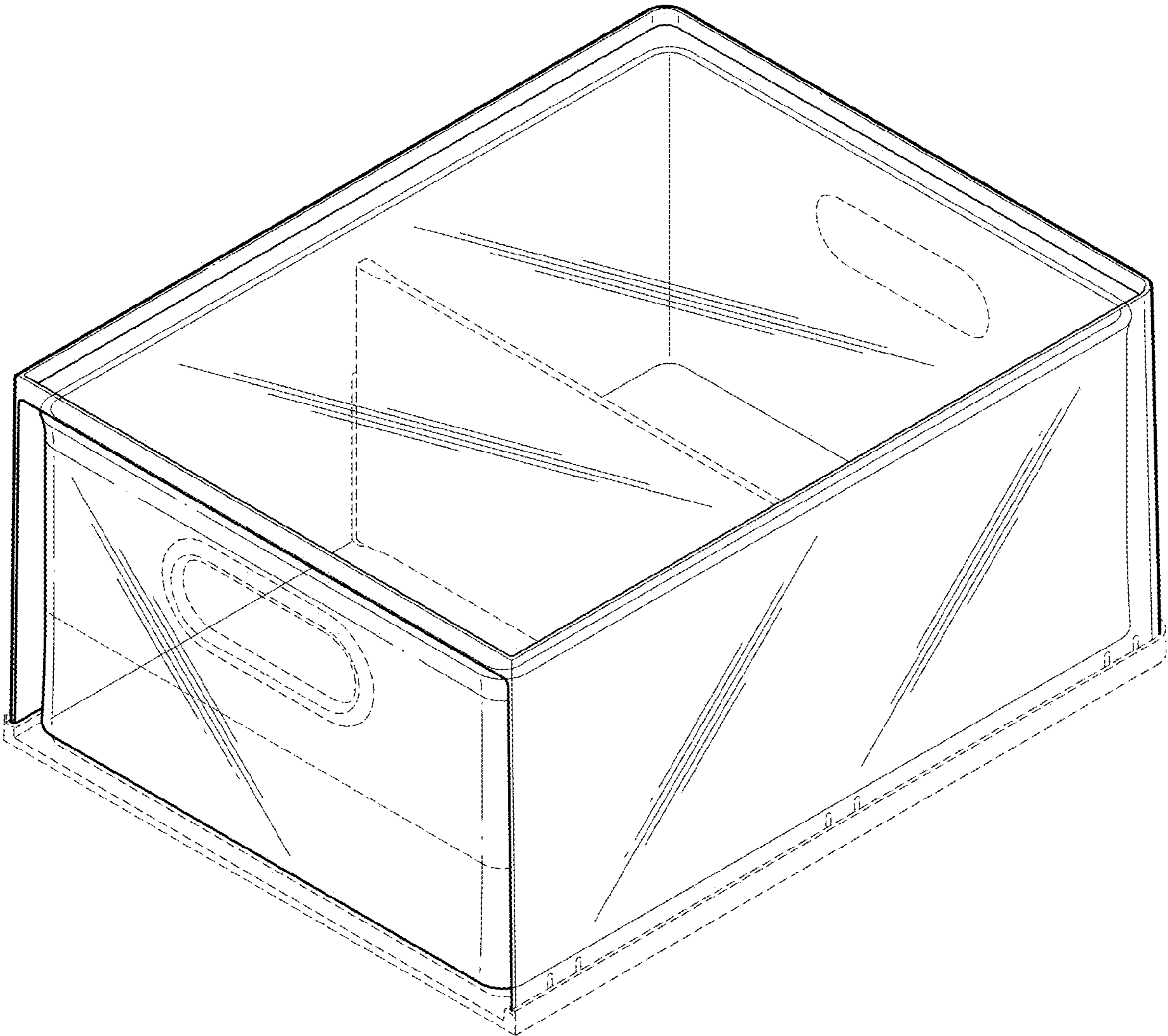


FIG. 2

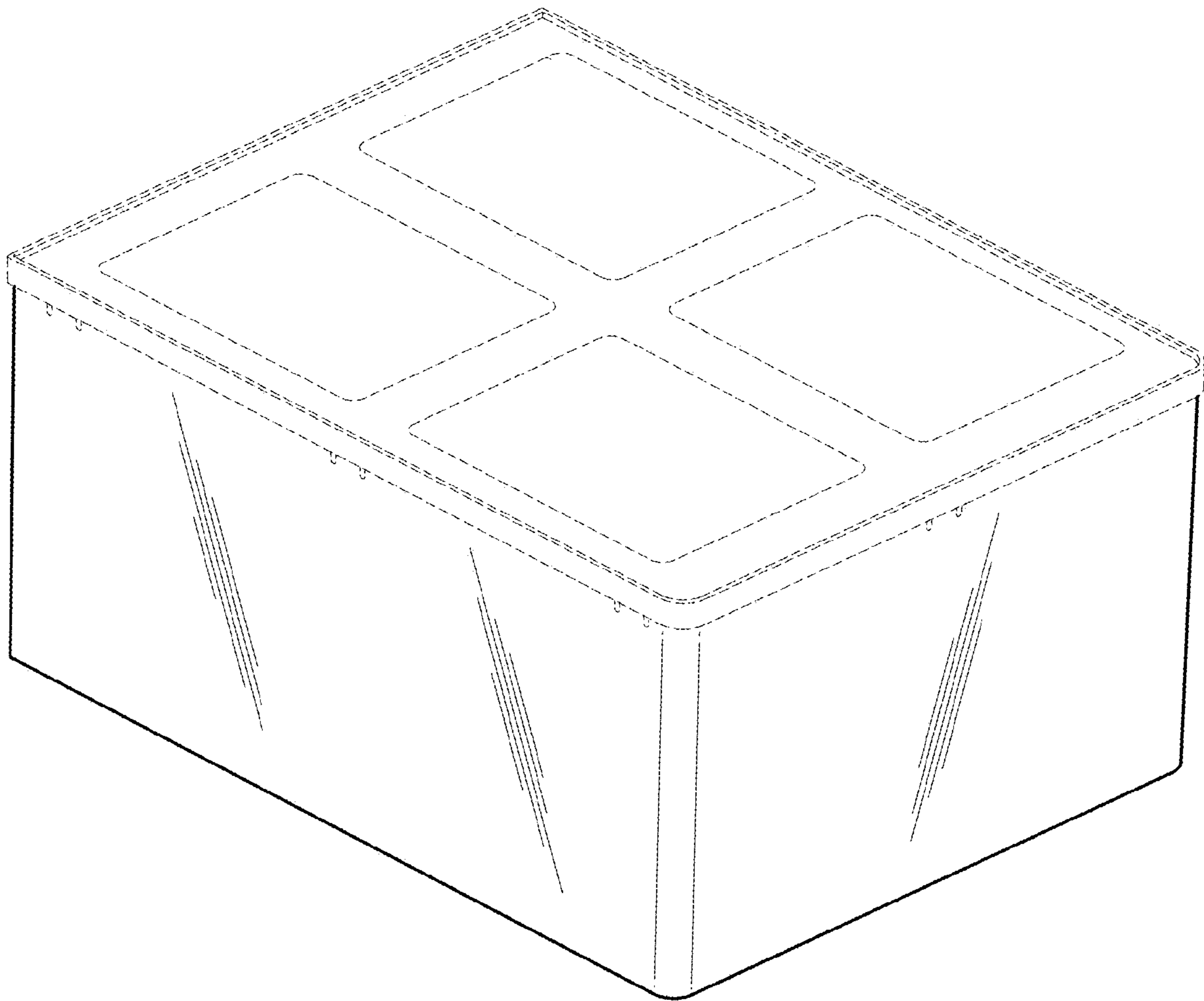


FIG. 3

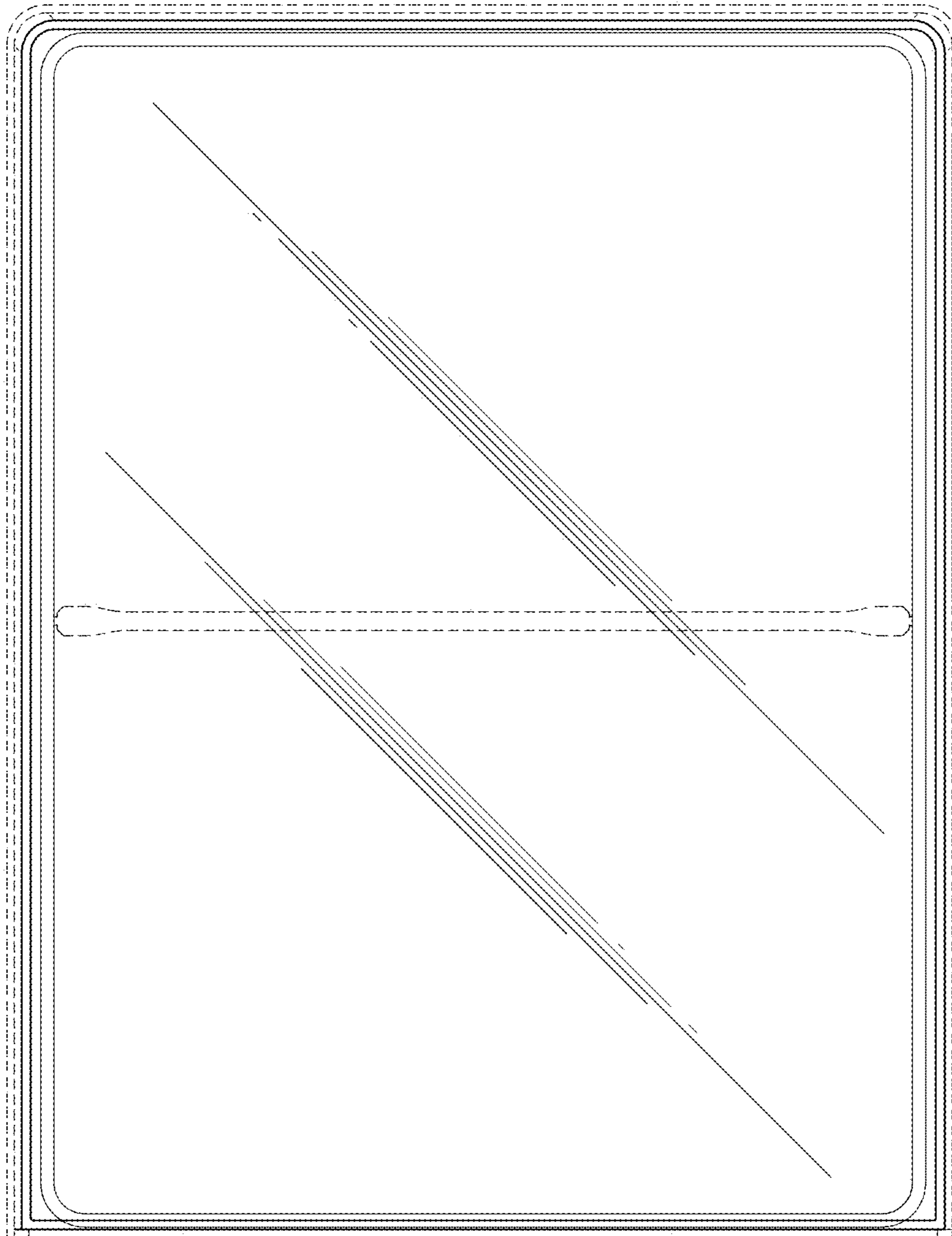


FIG. 4

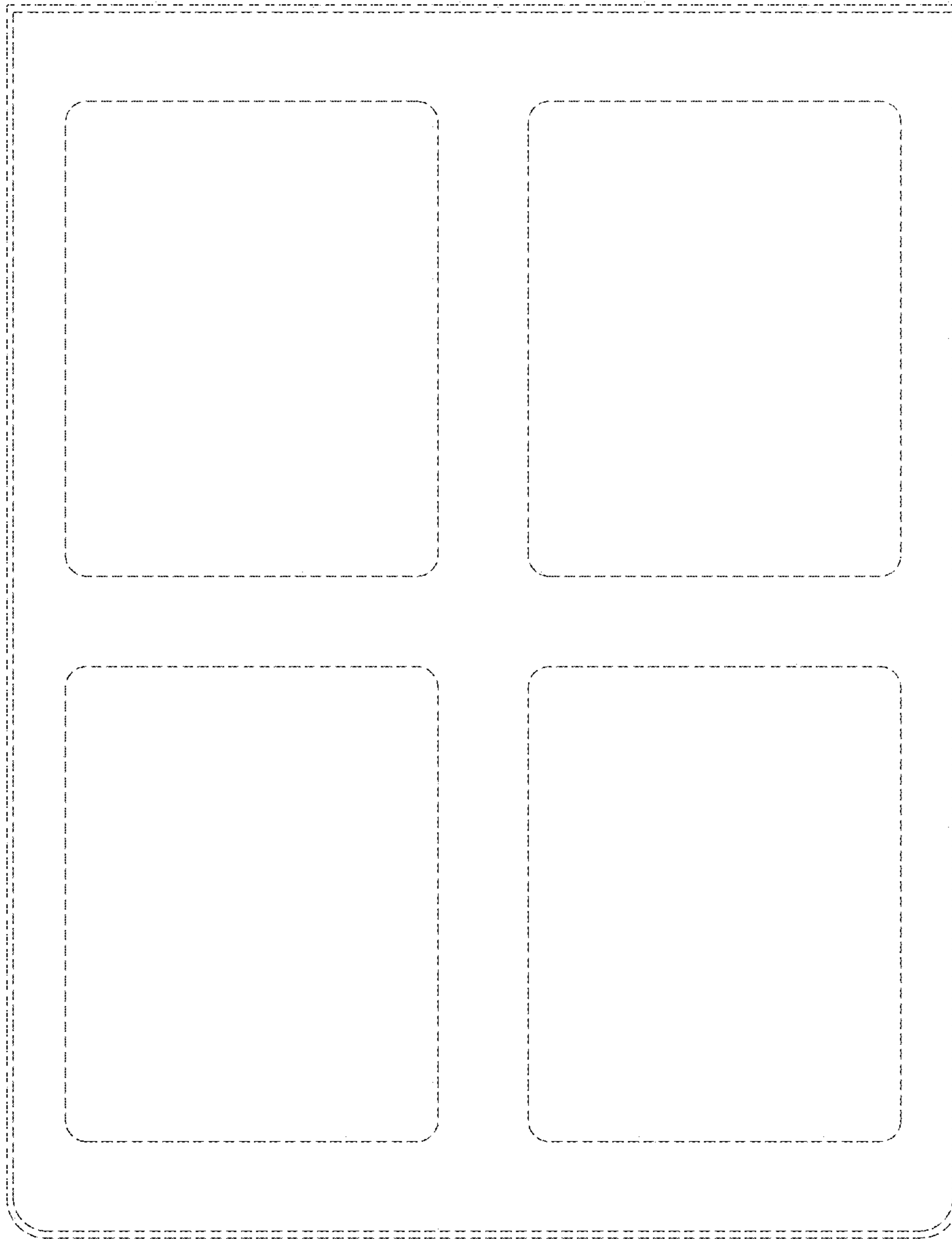


FIG. 5

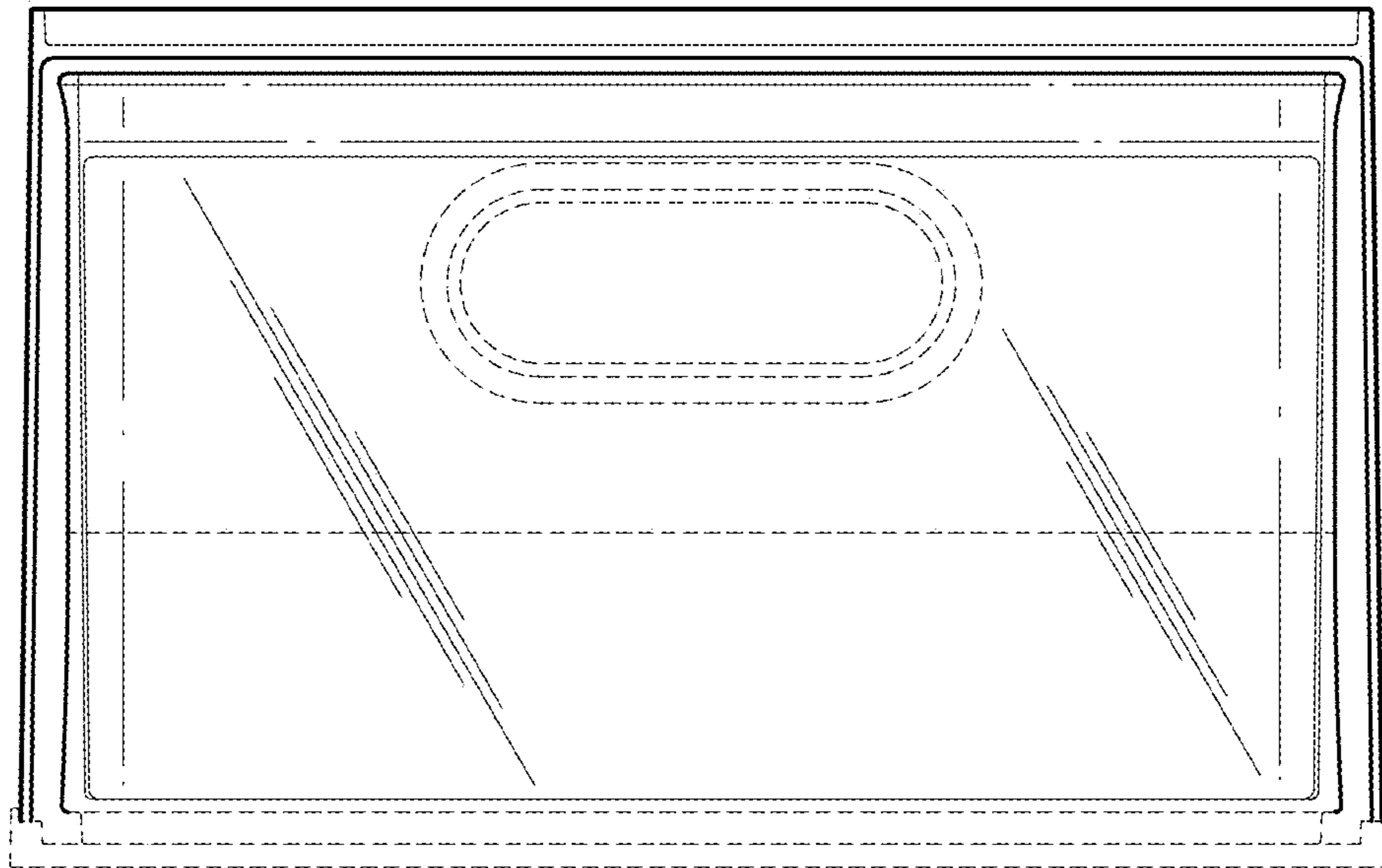


FIG. 6

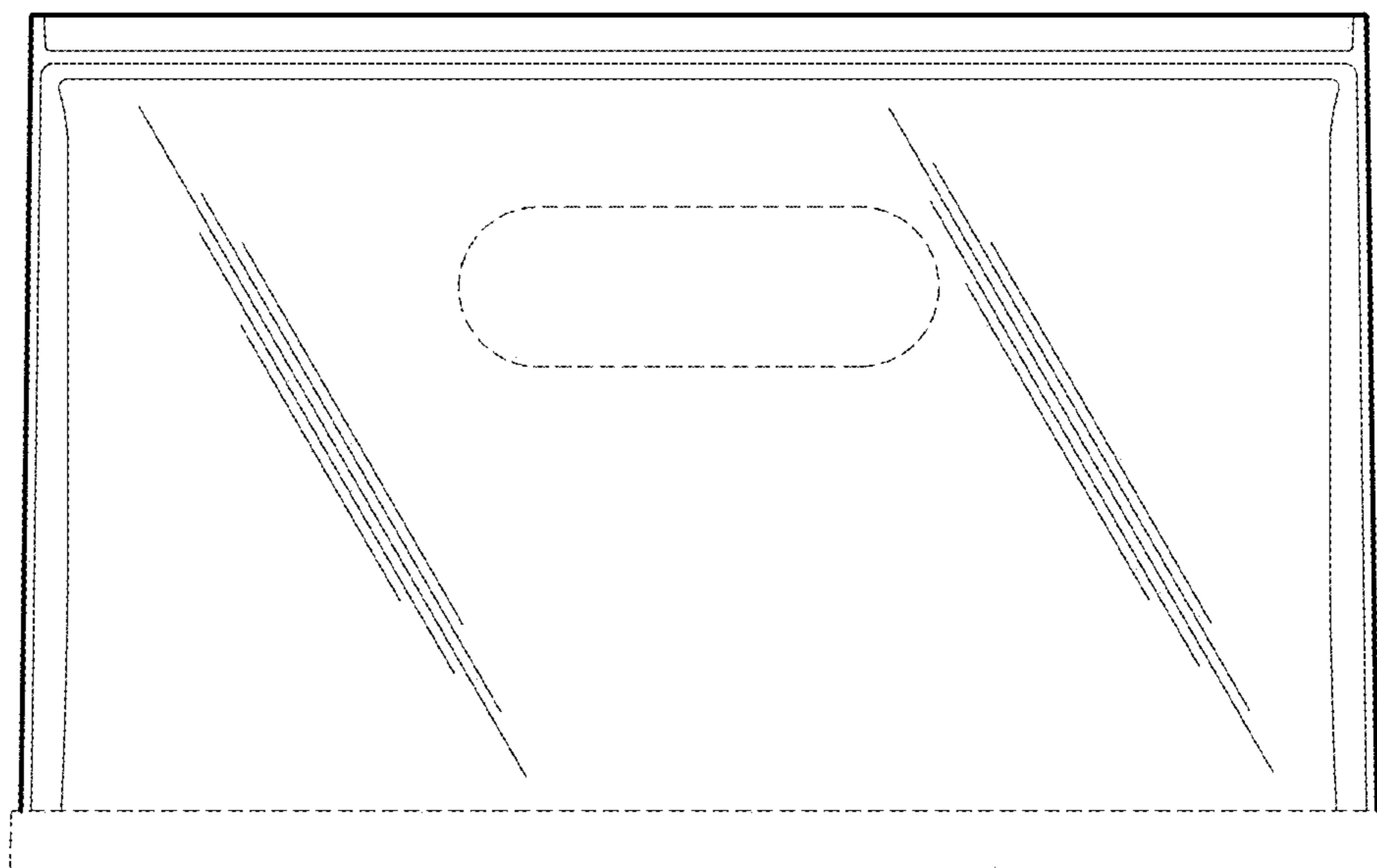


FIG. 7

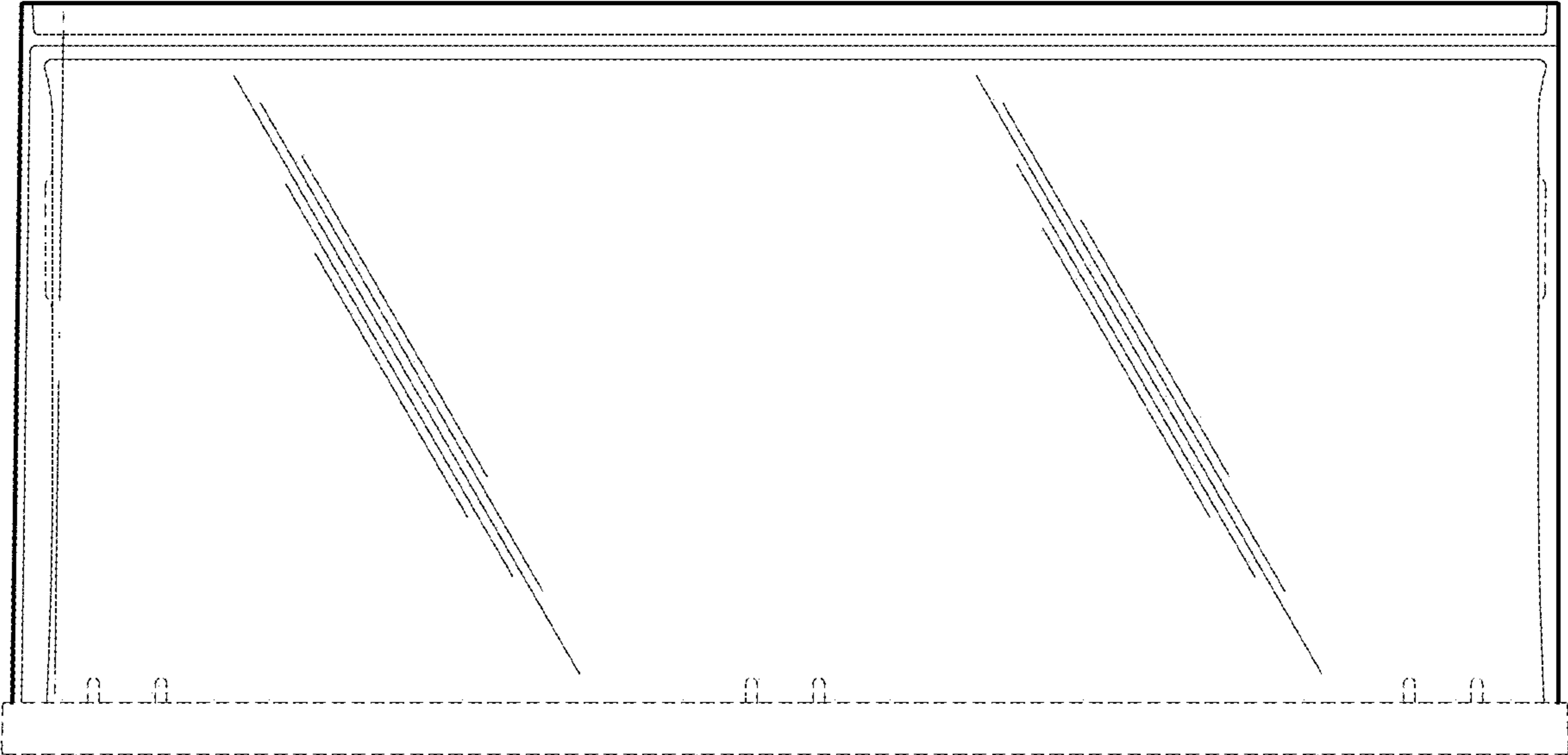


FIG. 8

