



US00D900474S

(12) **United States Design Patent** (10) **Patent No.:** **US D900,474 S**
Katopis (45) **Date of Patent:** **** Nov. 3, 2020**

(54) **BACKPACK UMBRELLA** 6,866,173 B2 * 3/2005 Haber A45F 3/04
224/160
(71) Applicant: **Chris J. Katopis**, Washington, DC D530,129 S 10/2006 Miller et al.
(US) 7,588,068 B2 9/2009 Colson et al.
D622,993 S 9/2010 Park et al.
(72) Inventor: **Chris J. Katopis**, Washington, DC 8,556,141 B1 10/2013 Ferraiolo
(US) D695,002 S 12/2013 Kato
9,635,913 B1 * 5/2017 Chen A45B 25/18
9,770,085 B2 9/2017 Pepic

(**) Term: **15 Years**

(21) Appl. No.: **29/693,323**

(22) Filed: **May 31, 2019**

(51) **LOC (12) Cl.** **03-01**

(52) **U.S. Cl.**
USPC **D3/318**

(58) **Field of Classification Search**
USPC D3/217, 318
CPC A45B 3/00; A45B 25/18; A45B 11/00;
A45B 25/02; A45B 3/04
See application file for complete search history.

(56) **References Cited**

U.S. PATENT DOCUMENTS

4,775,180 A 10/1988 Phillips
5,044,686 A 9/1991 Acenbrack
5,098,149 A 3/1992 Lee
5,240,020 A 8/1993 Byers
5,263,837 A 11/1993 Dompe
5,664,595 A 9/1997 Vonderhorst et al.
5,695,100 A * 12/1997 O'Brien A47C 7/66
135/143
5,860,464 A 1/1999 Schon
5,934,529 A 8/1999 O'Brien
6,024,264 A * 2/2000 Java A45B 3/00
135/16
6,053,385 A * 4/2000 Ward A45B 11/00
224/153
6,308,722 B1 * 10/2001 Christie A45B 11/00
135/16

OTHER PUBLICATIONS

Baby backpack with sunshade visor. [online]. Amazon, first reviewed 2017 [retrieved on Jun. 15, 2020]. Retrieved from the Internet: <https://www.amazon.com/Clevr-Backpack-Toddler-Lightweight-Warranty/dp/B00LH7MEMM?th=1> (Year: 2017).*

* cited by examiner

Primary Examiner — Holly H Baynham

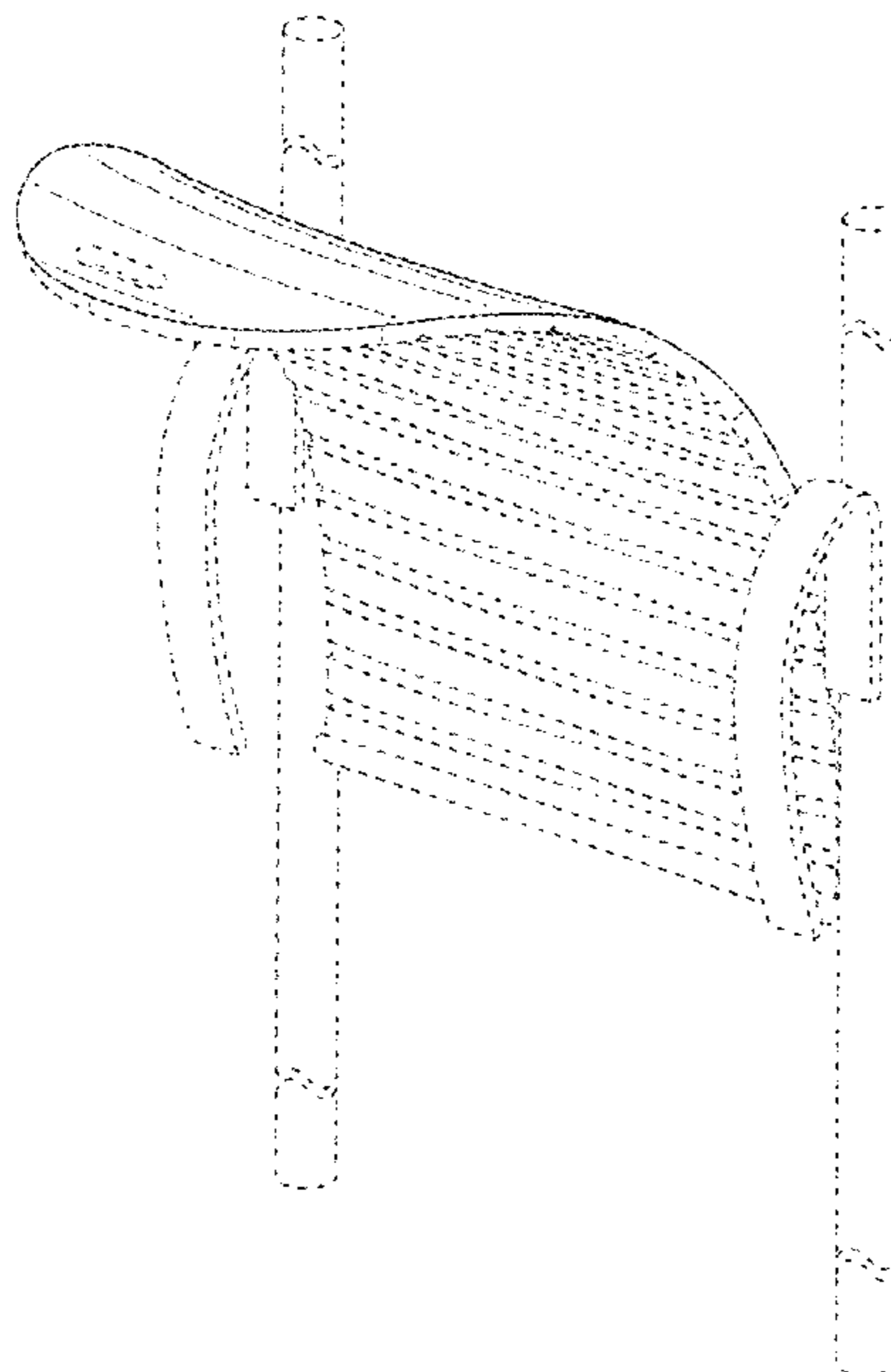
(57) **CLAIM**

The ornamental design for a backpack umbrella, as shown and described.

DESCRIPTION

FIG. 1 is a front elevated perspective view of a backpack umbrella, showing the new design; FIG. 2 is the front view thereof; FIG. 3 is the back view thereof; FIG. 4 is a side view thereof; FIG. 5 is the opposite side view thereof; FIG. 6 is the top view thereof; and, FIG. 7 is the bottom view thereof. The broken lines showing supports are for the purposes of illustrating environment and form no part of the claimed design.

1 Claim, 7 Drawing Sheets



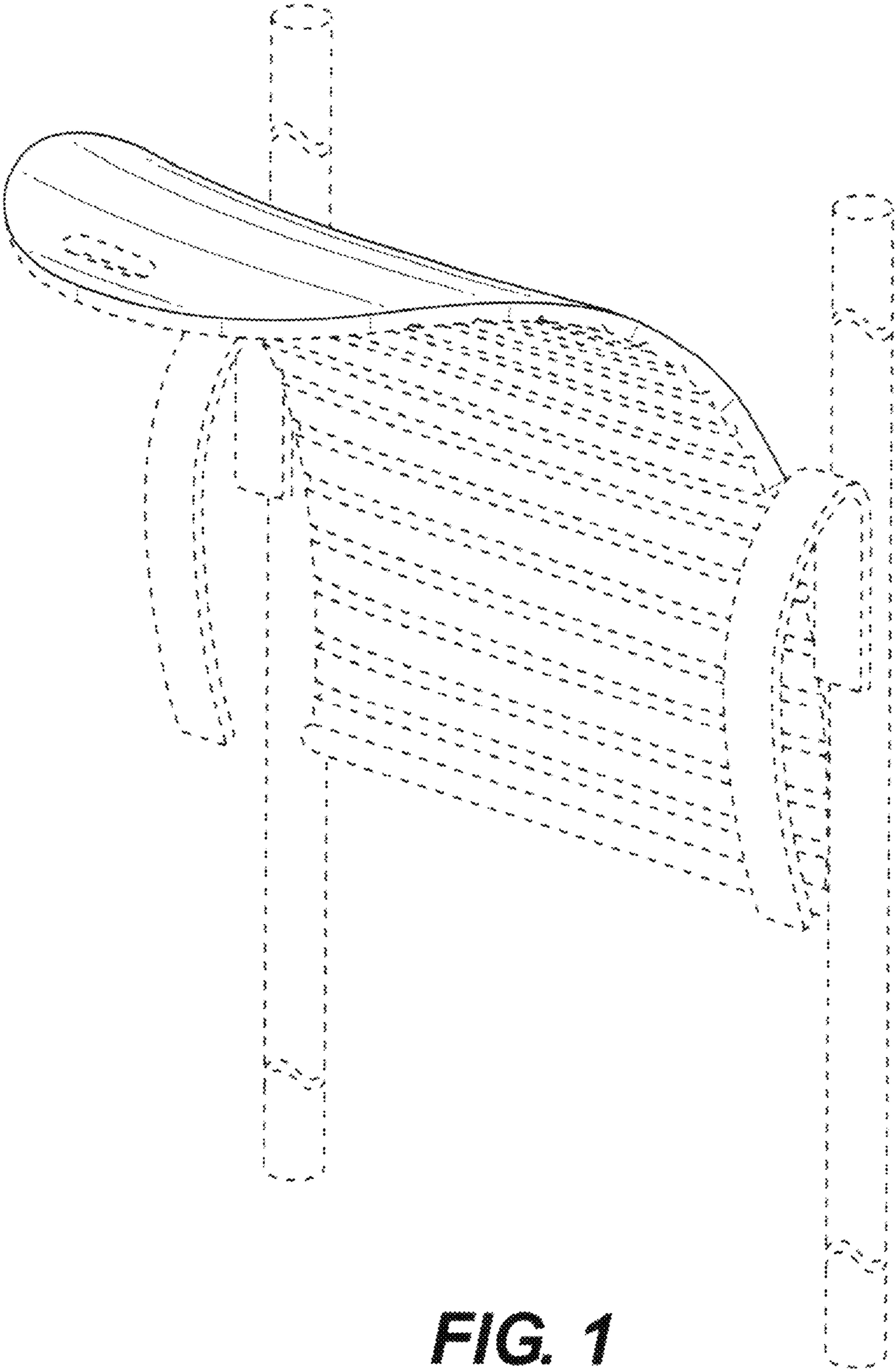


FIG. 1

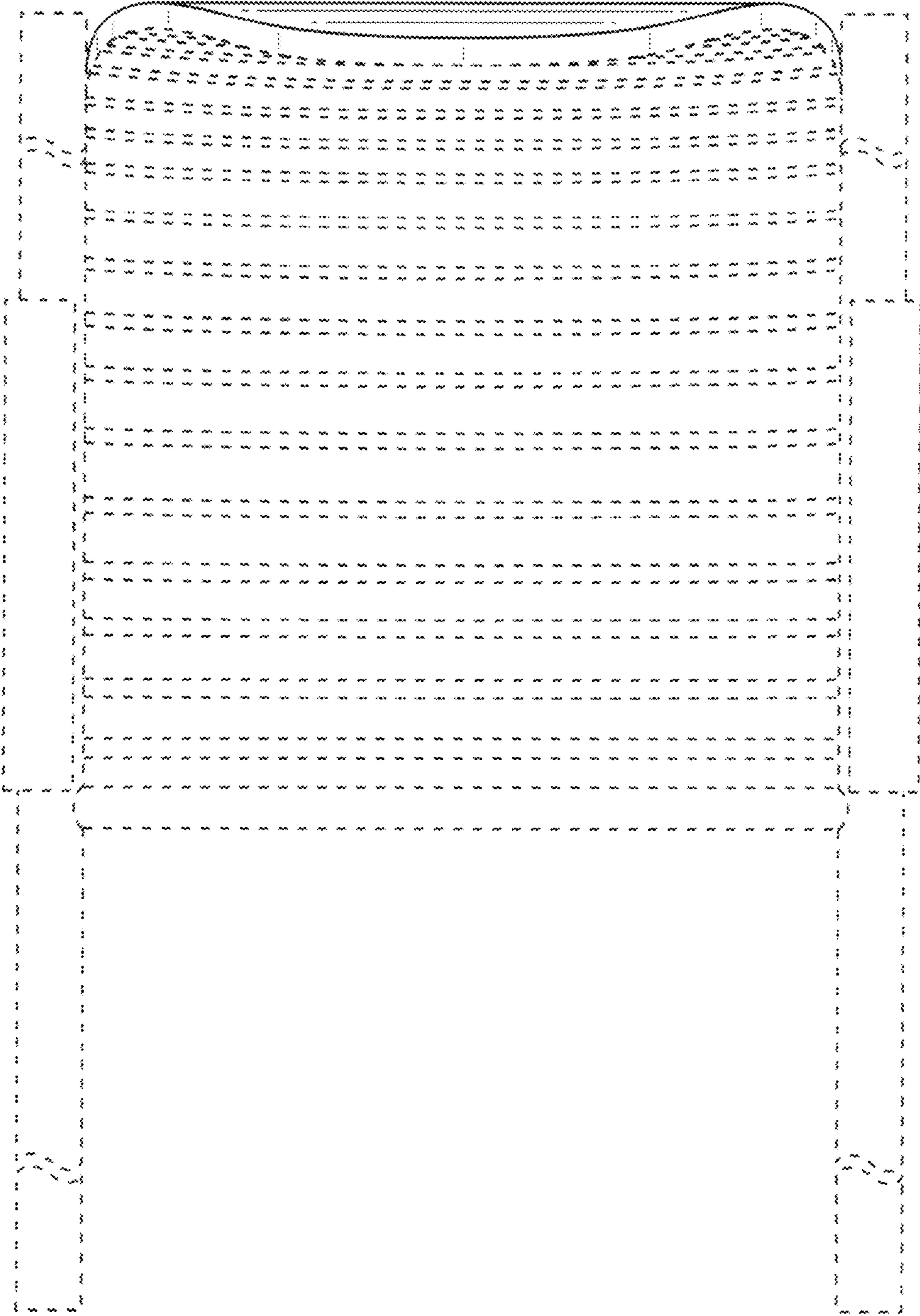


FIG. 2

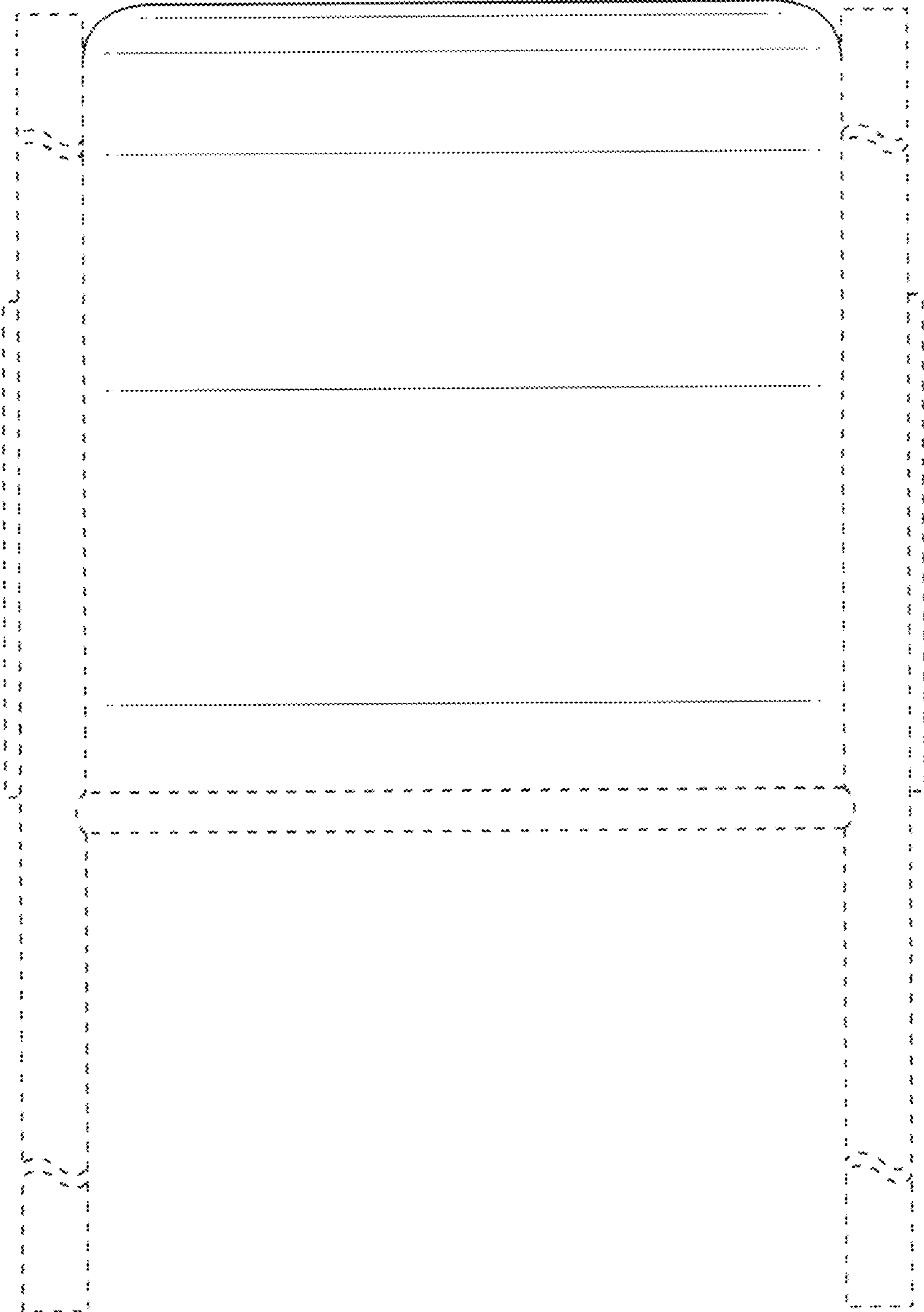


FIG. 3

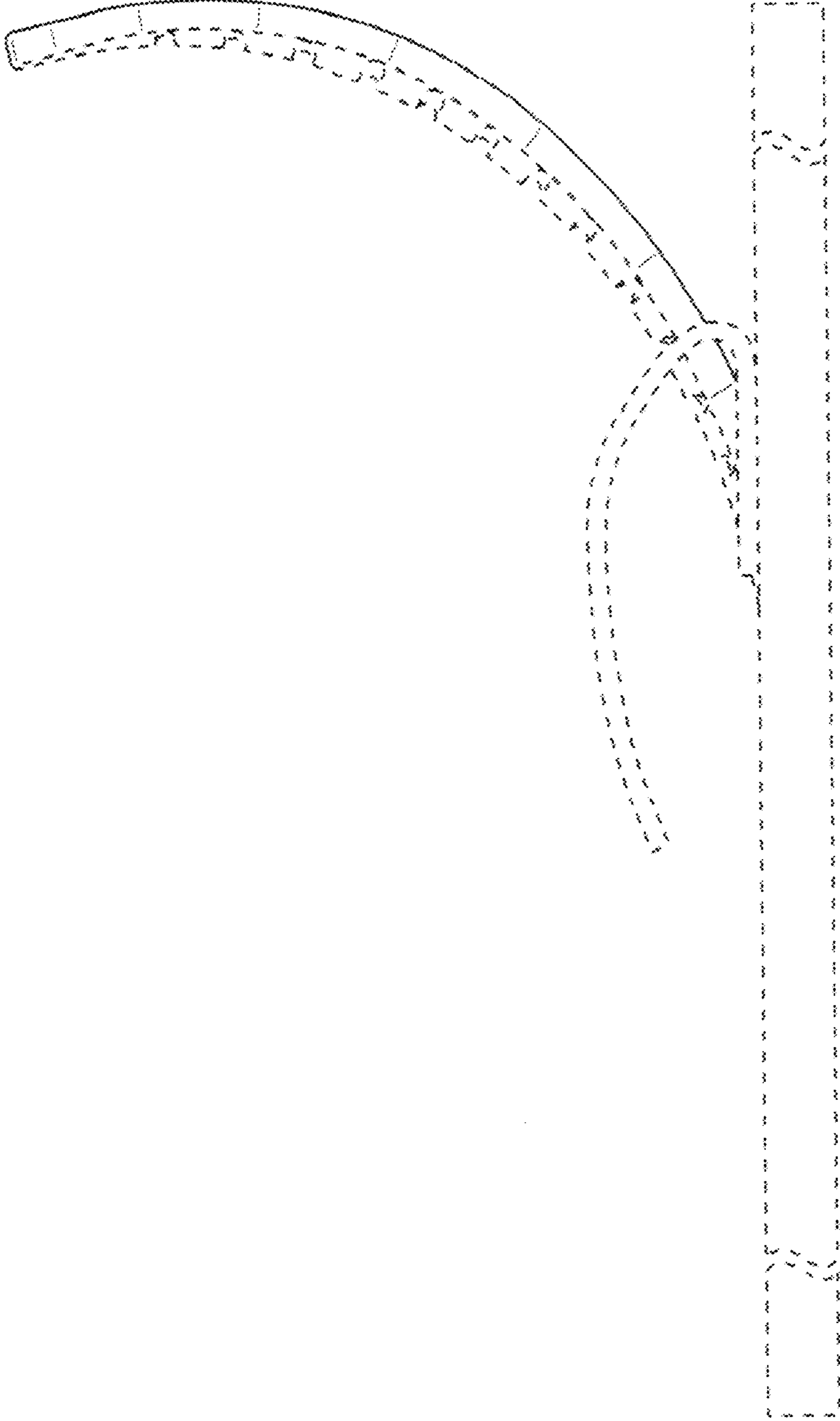


FIG. 4

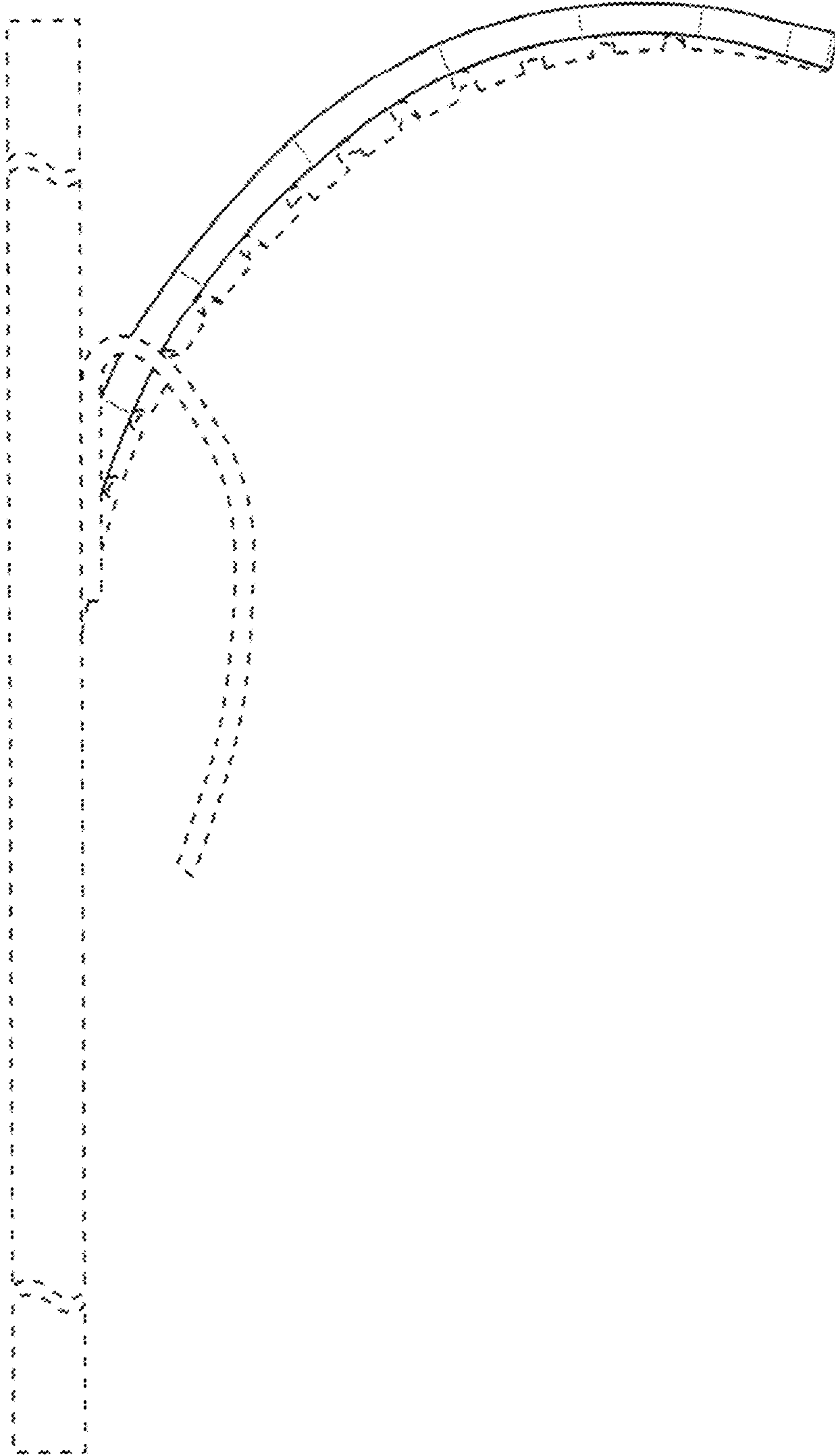


FIG. 5

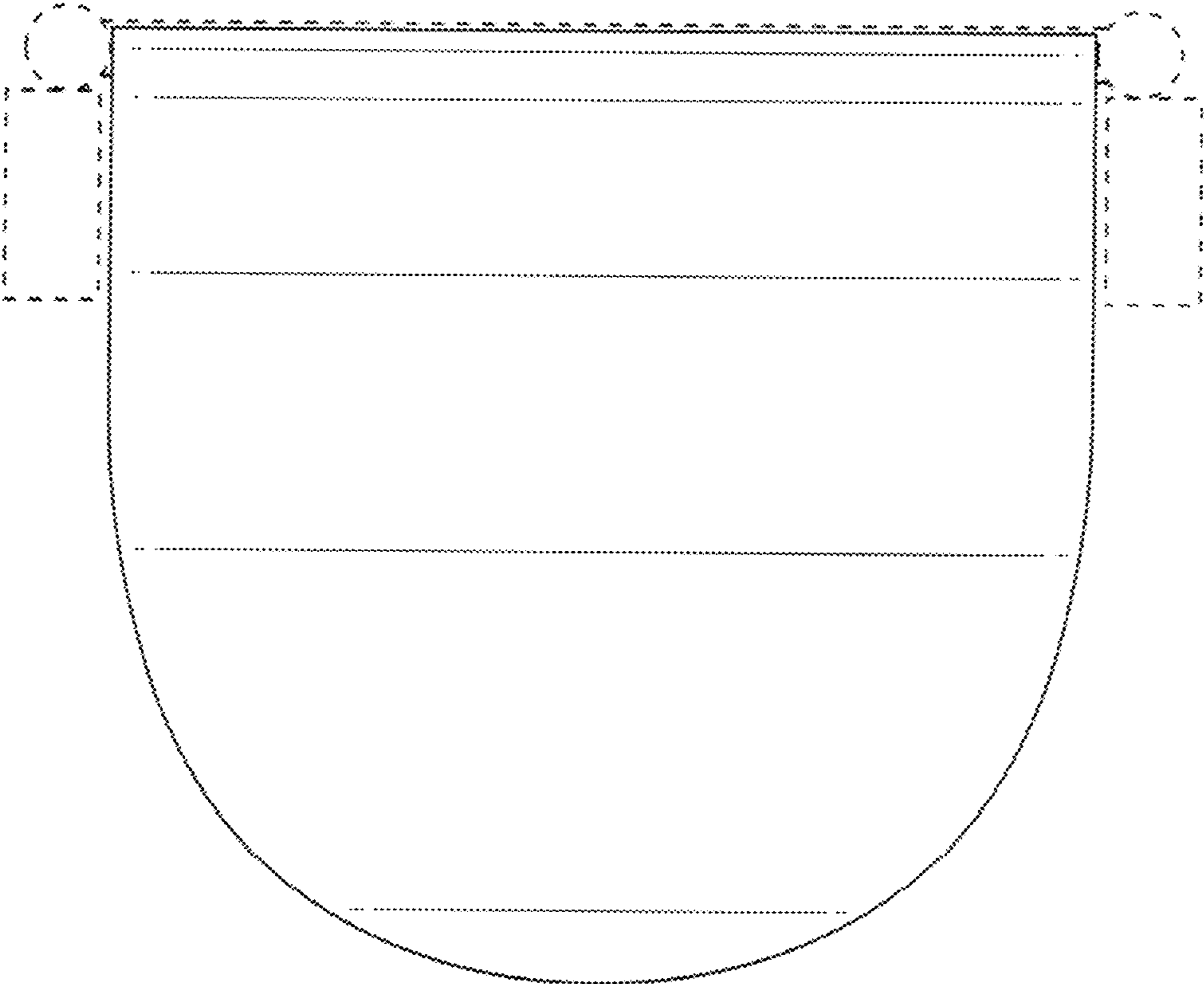


FIG. 6

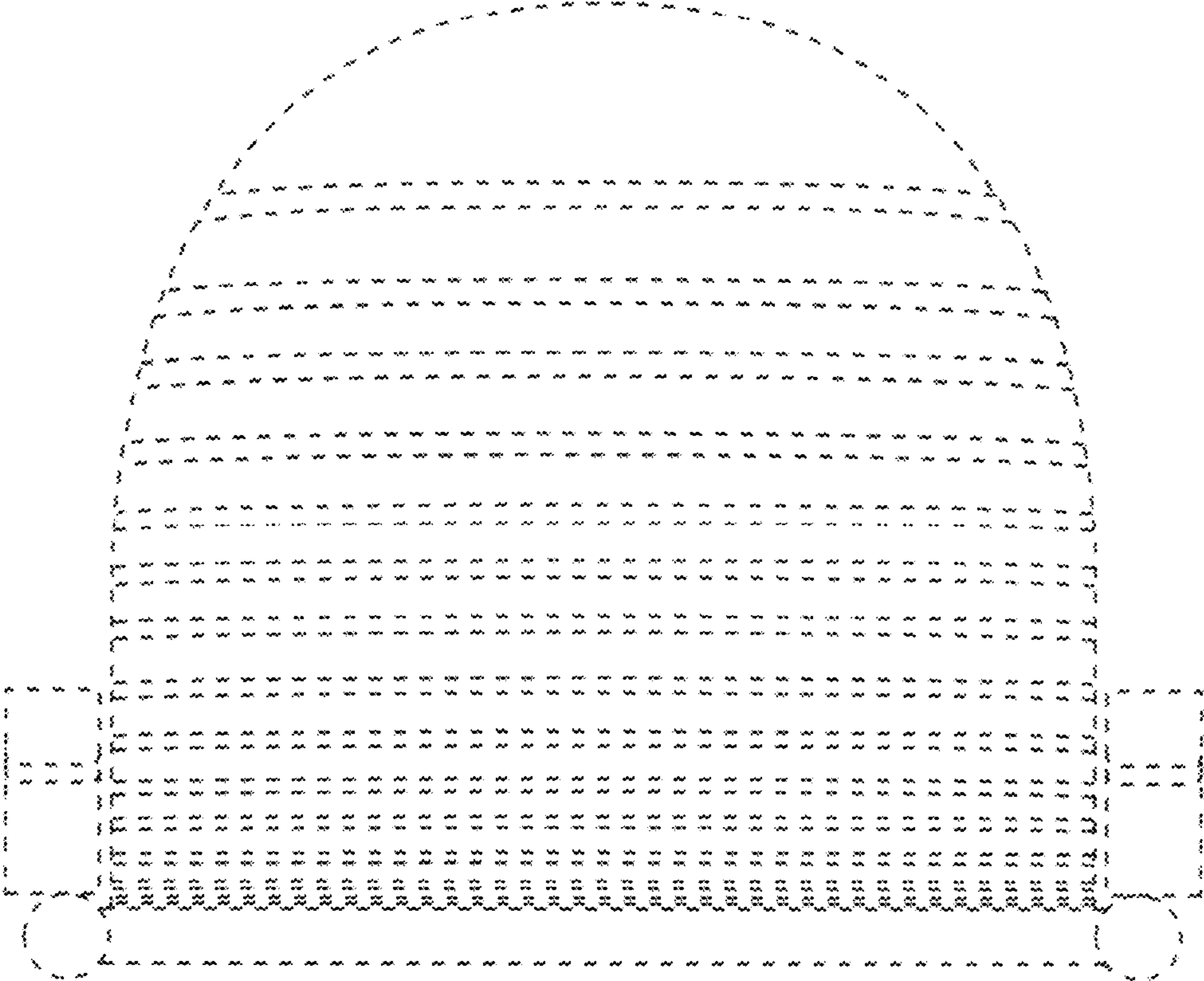


FIG. 7