



US00D900473S

(12) **United States Design Patent**
Rachamim

(10) **Patent No.:** **US D900,473 S**

(45) **Date of Patent:** **** Nov. 3, 2020**

(54) **BASKET**

(71) Applicant: **Sharon Rachamim**, Tel Aviv-Yaffo (IL)

(72) Inventor: **Sharon Rachamim**, Tel Aviv-Yaffo (IL)

(**) Term: **15 Years**

(21) Appl. No.: **29/700,704**

(22) Filed: **Aug. 5, 2019**

(30) **Foreign Application Priority Data**

Feb. 5, 2019 (IL) 63296

(51) **LOC (12) Cl.** **03-01**

(52) **U.S. Cl.**
USPC **D3/304**

(58) **Field of Classification Search**

USPC D6/672, 675; D7/601-602; D3/304,
D3/307, 308, 309, 312, 314, 315

CPC B65D 13/00; B65D 13/04; B65D 3/00;
B65D 1/22; B65D 1/38

See application file for complete search history.

(56) **References Cited**

U.S. PATENT DOCUMENTS

D286,745 S * 11/1986 Forbes, Jr. D9/416
D287,466 S * 12/1986 Gardner D9/414

D622,589 S * 8/2010 Elias D9/431
D728,884 S * 5/2015 Waffensmith D32/54
D764,281 S * 8/2016 Mayer D9/431
D792,761 S * 7/2017 Duval D9/431
D804,299 S * 12/2017 Furuse D9/420
D866,971 S * 11/2019 Wang D3/304
D868,468 S * 12/2019 Currier D3/315

* cited by examiner

Primary Examiner — Kelley A Donnelly

(74) *Attorney, Agent, or Firm* — Blue Filament Law
PLLC

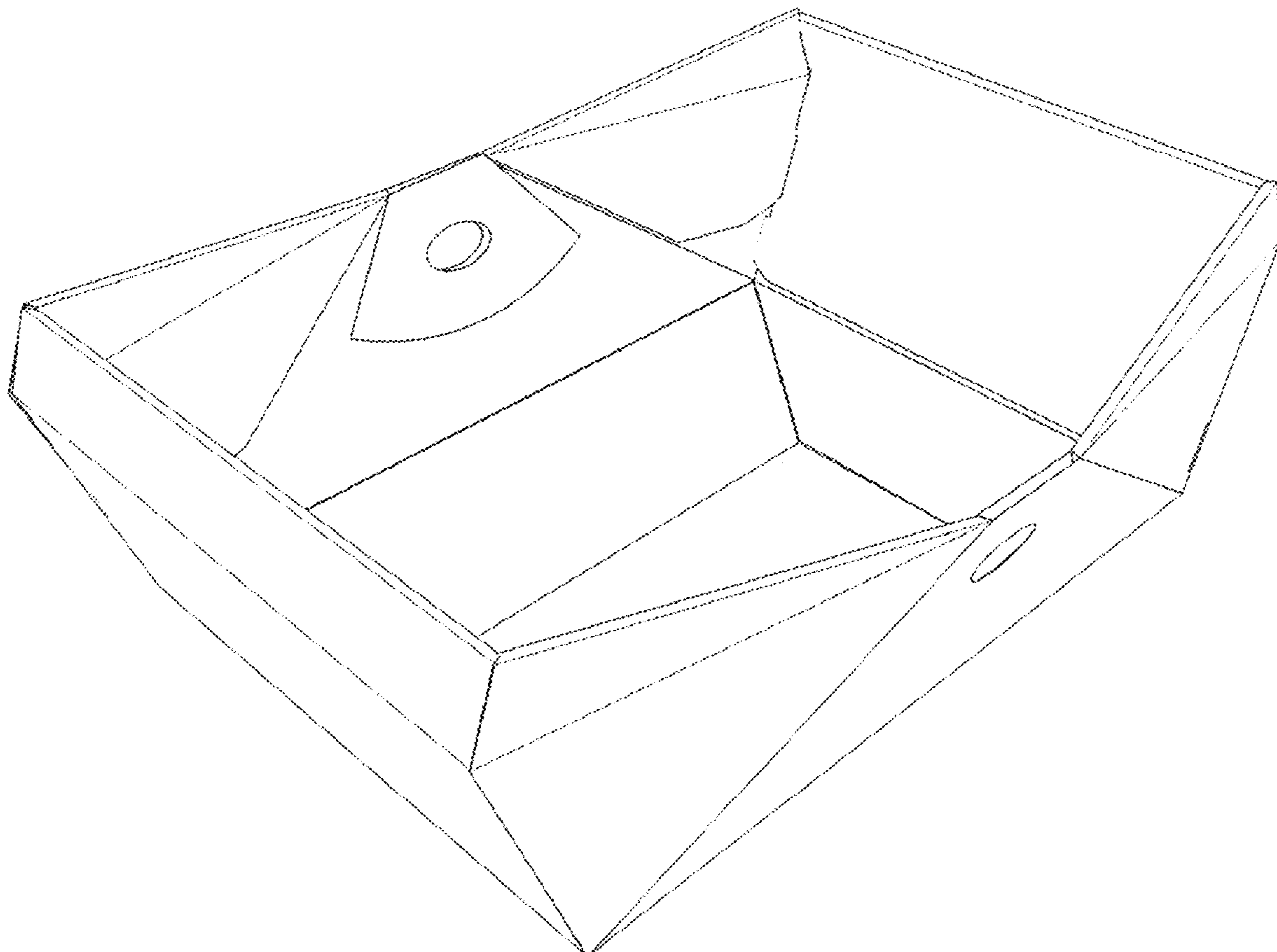
(57) **CLAIM**

The ornamental design for a basket, as shown and described.

DESCRIPTION

FIG. 1 is a first perspective view of the basket;
FIG. 2 is a second perspective view of the basket depicted
in FIG. 1;
FIG. 3 is a front view of the basket depicted in FIG. 1;
FIG. 4 is a bottom view of the basket depicted in FIG. 1;
FIG. 5 is a third perspective view of the basket depicted in
FIG. 1;
FIG. 6 is a left side view of the basket depicted in FIG. 1,
where the right side view is a mirror image of FIG. 6; and,
FIG. 7 is top view of the basket depicted in FIG. 1.

1 Claim, 7 Drawing Sheets



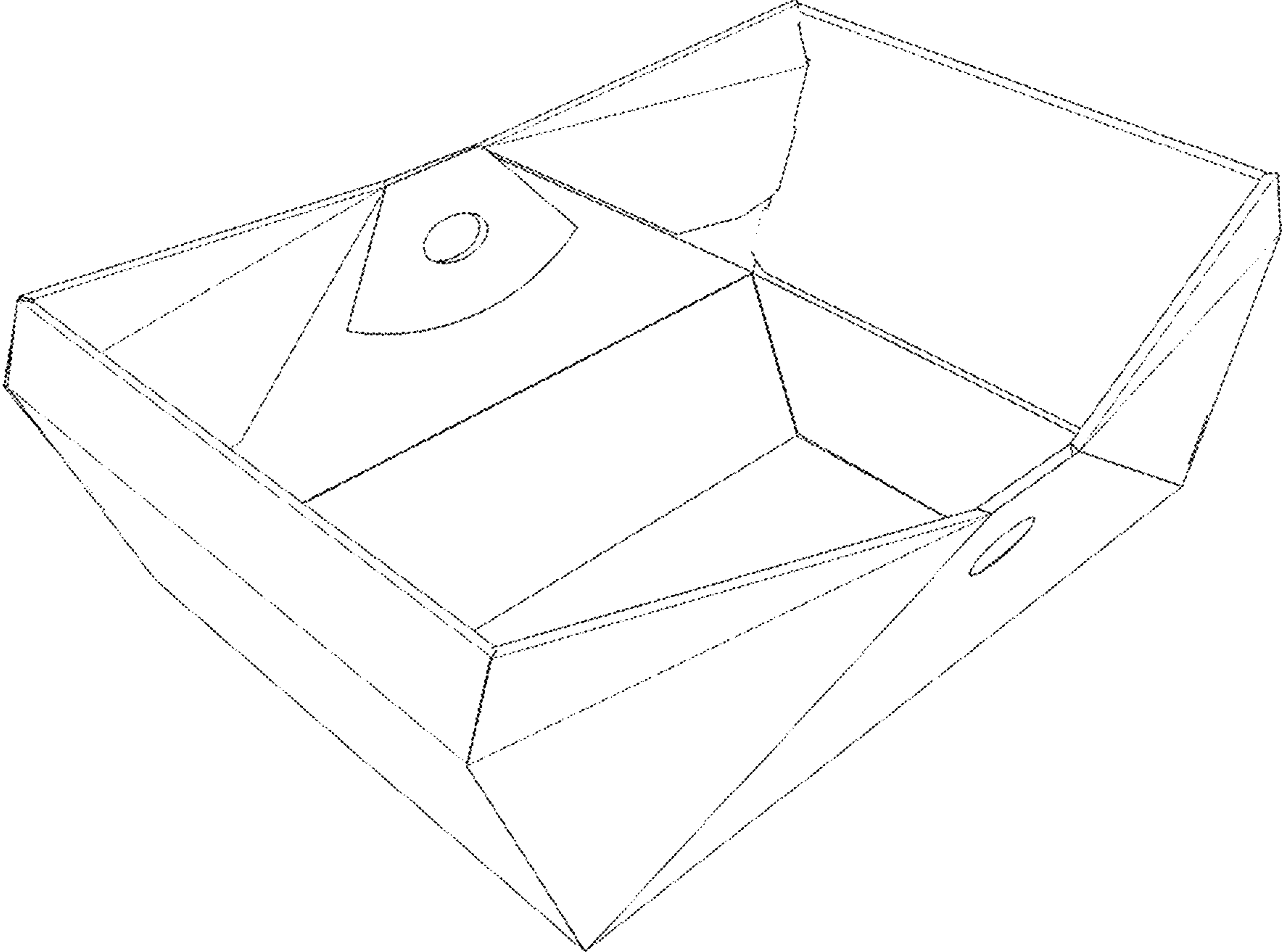


FIG. 1

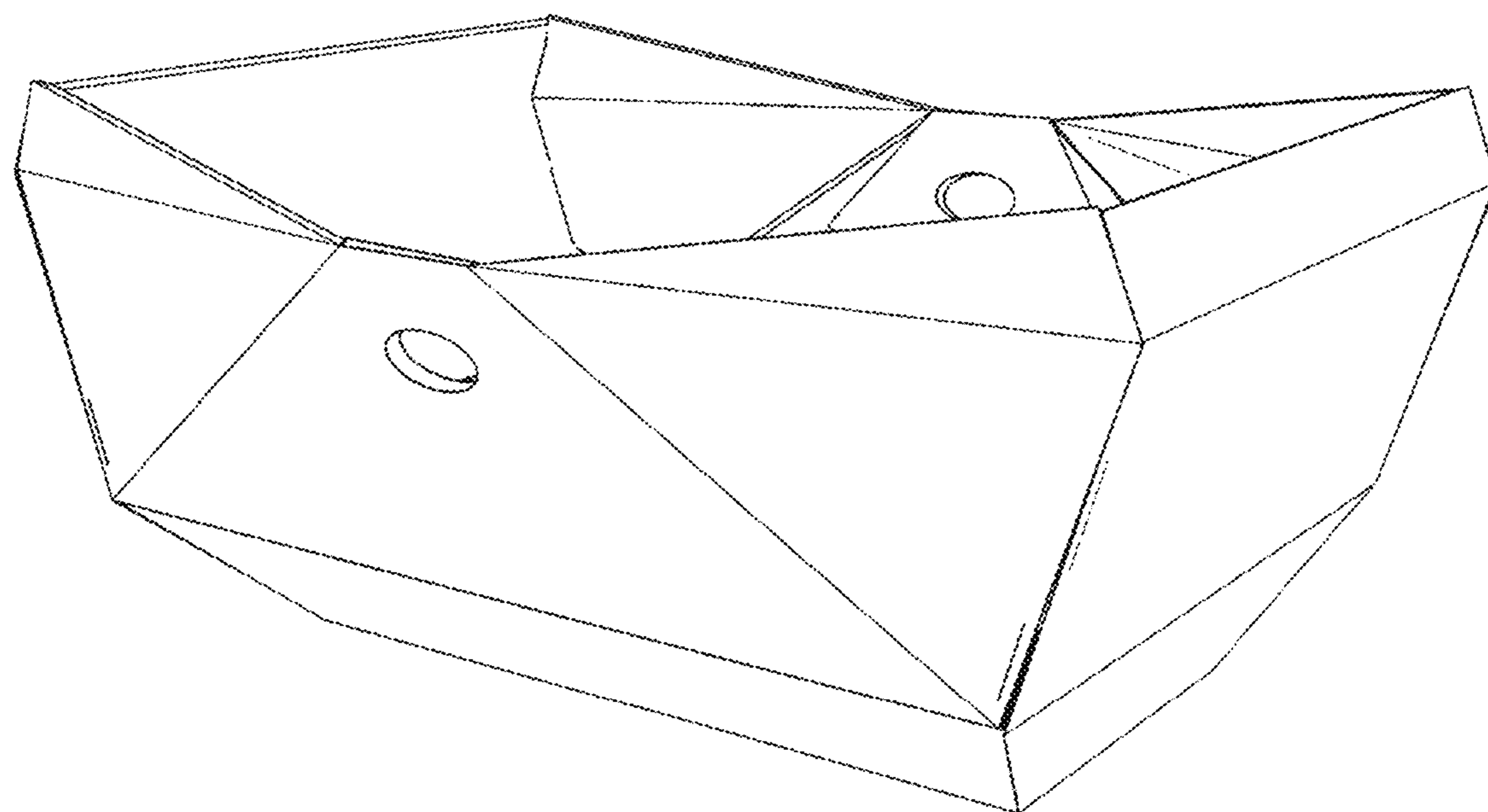


FIG. 2

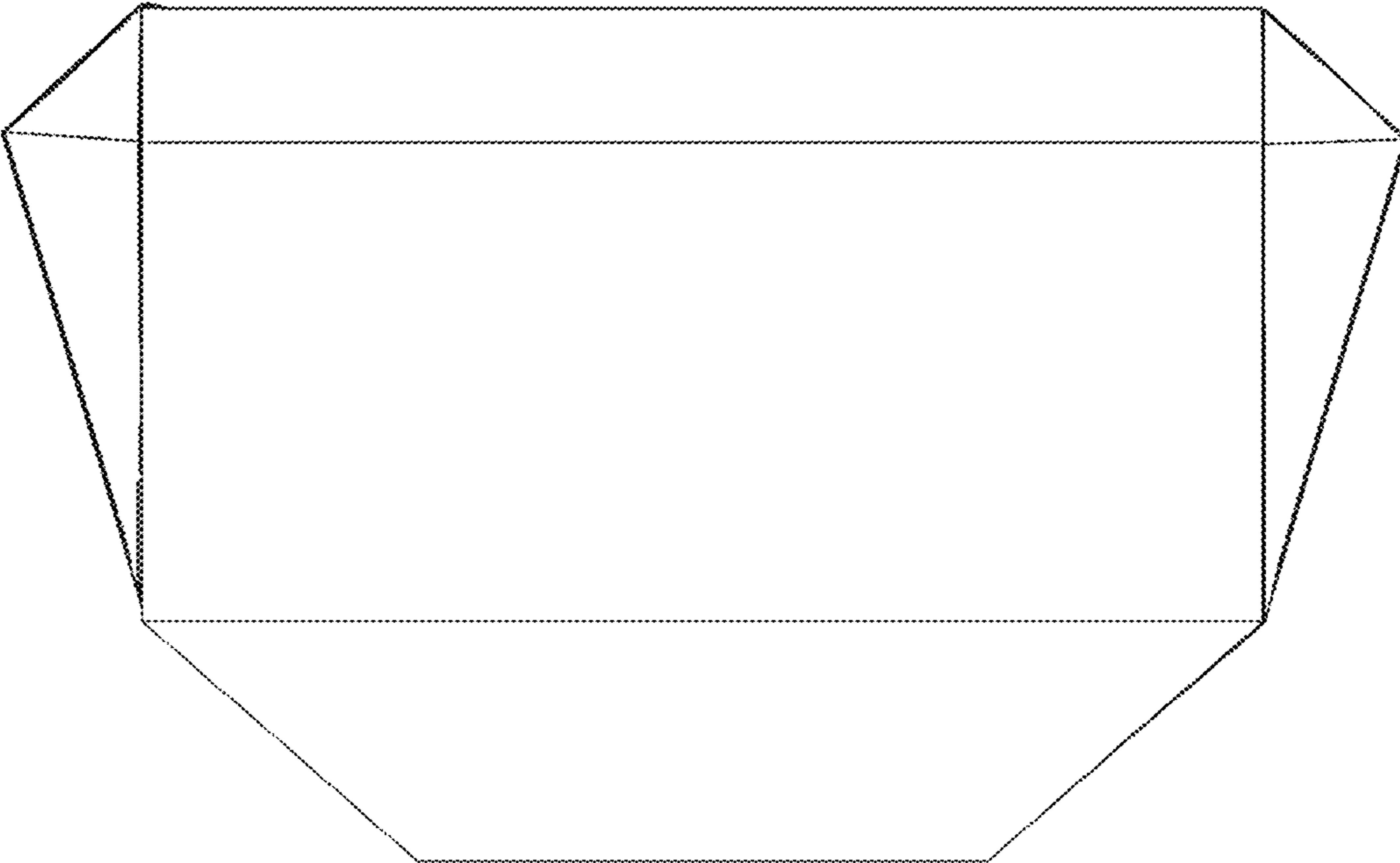


FIG. 3

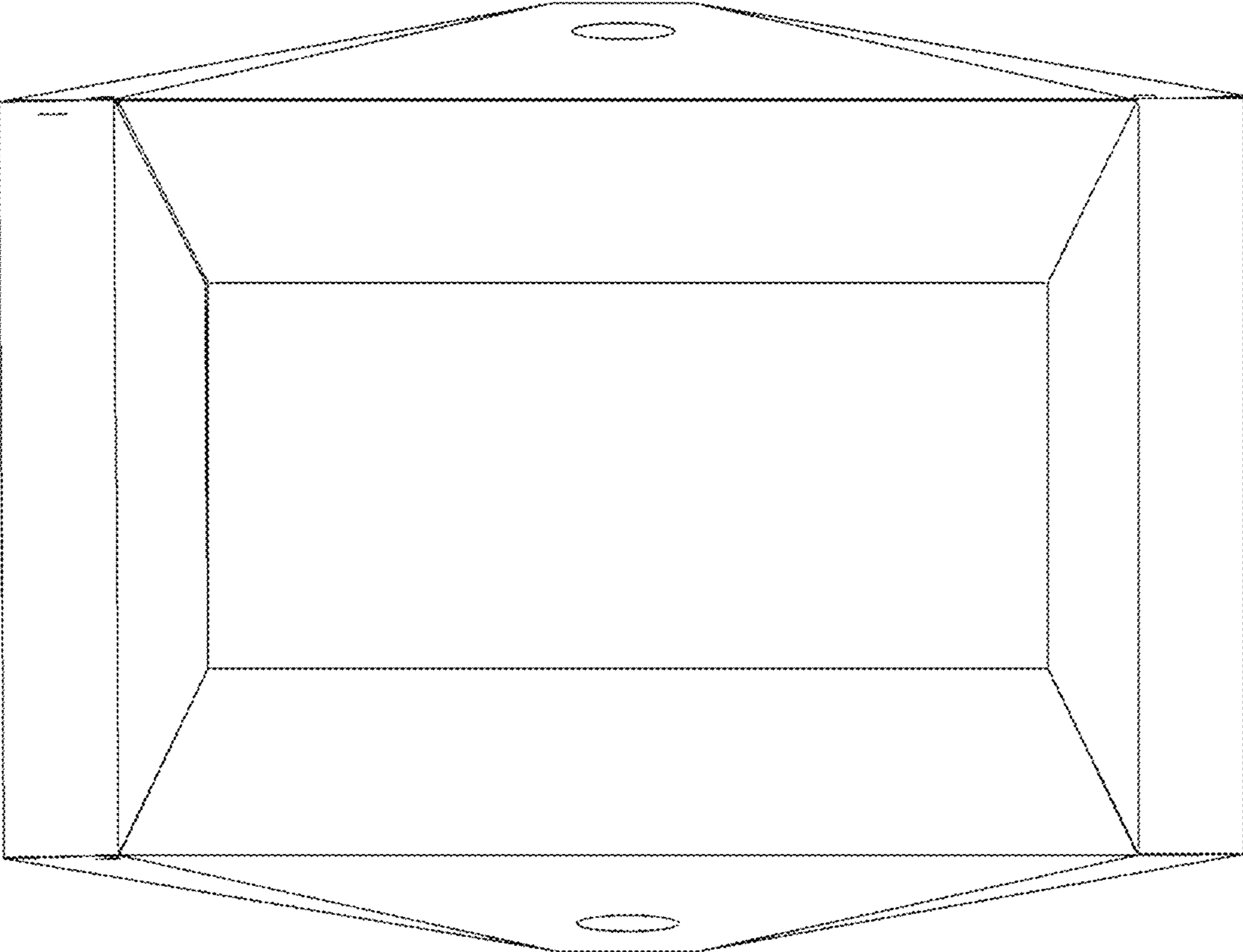


FIG. 4

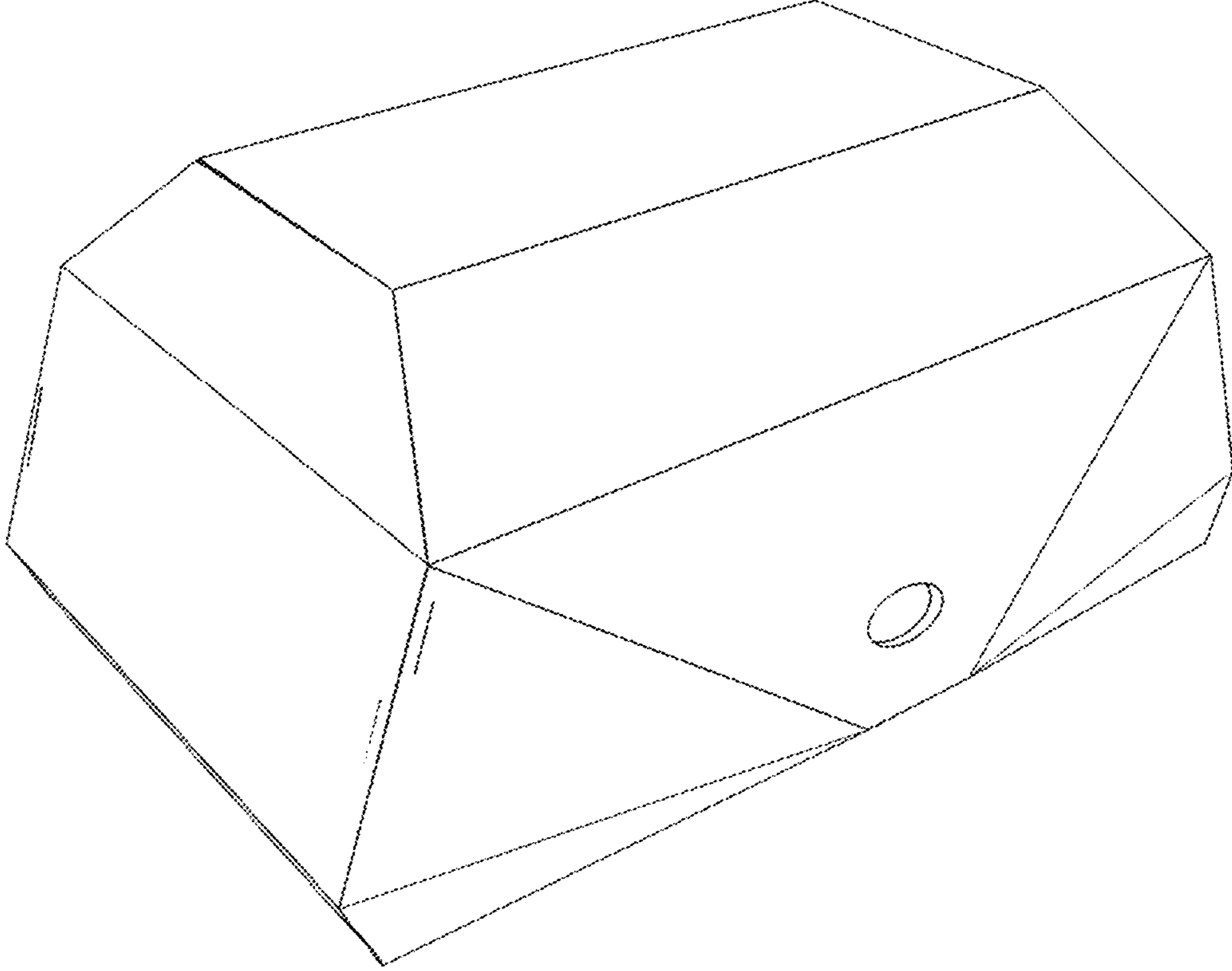


FIG. 5

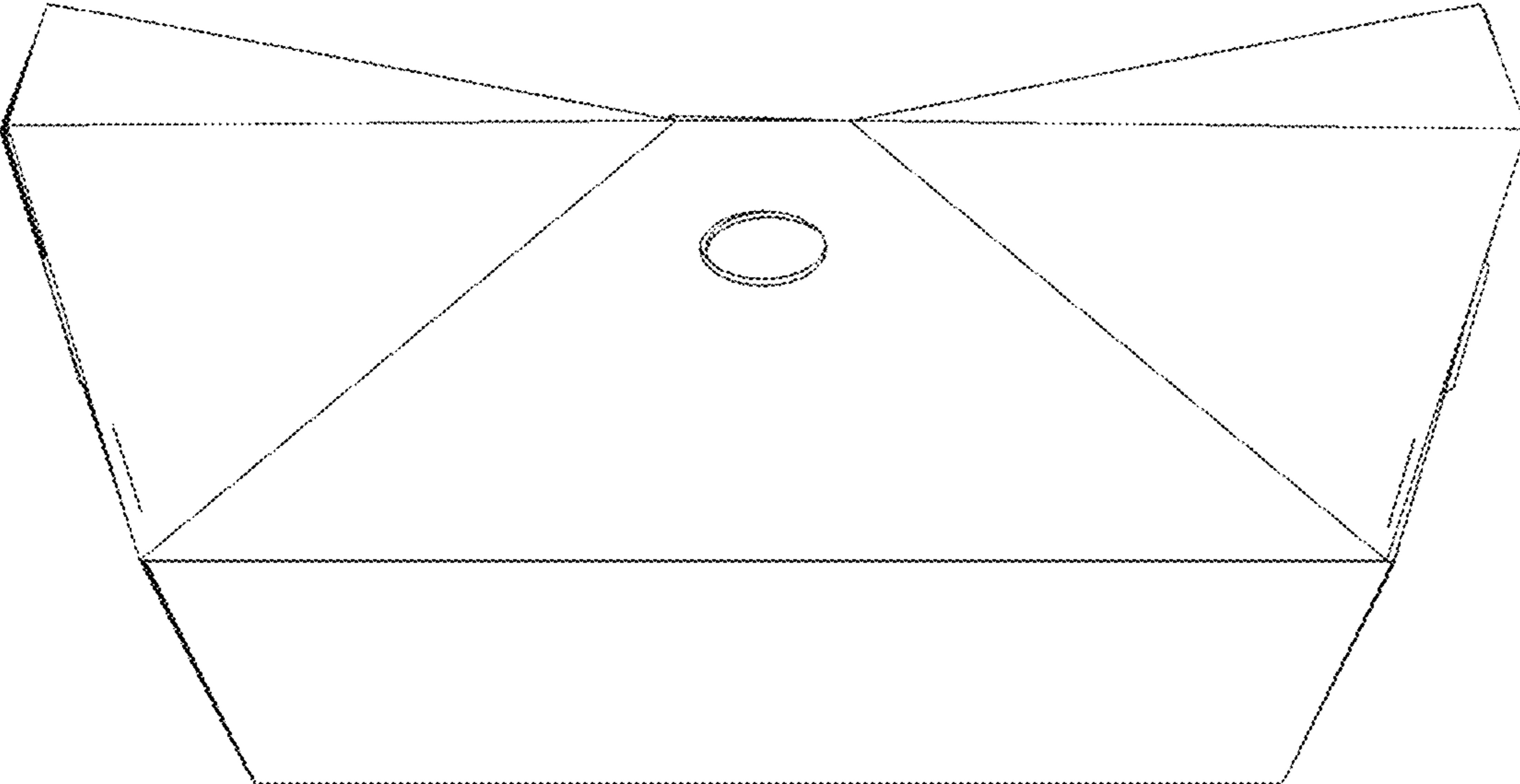


FIG. 6

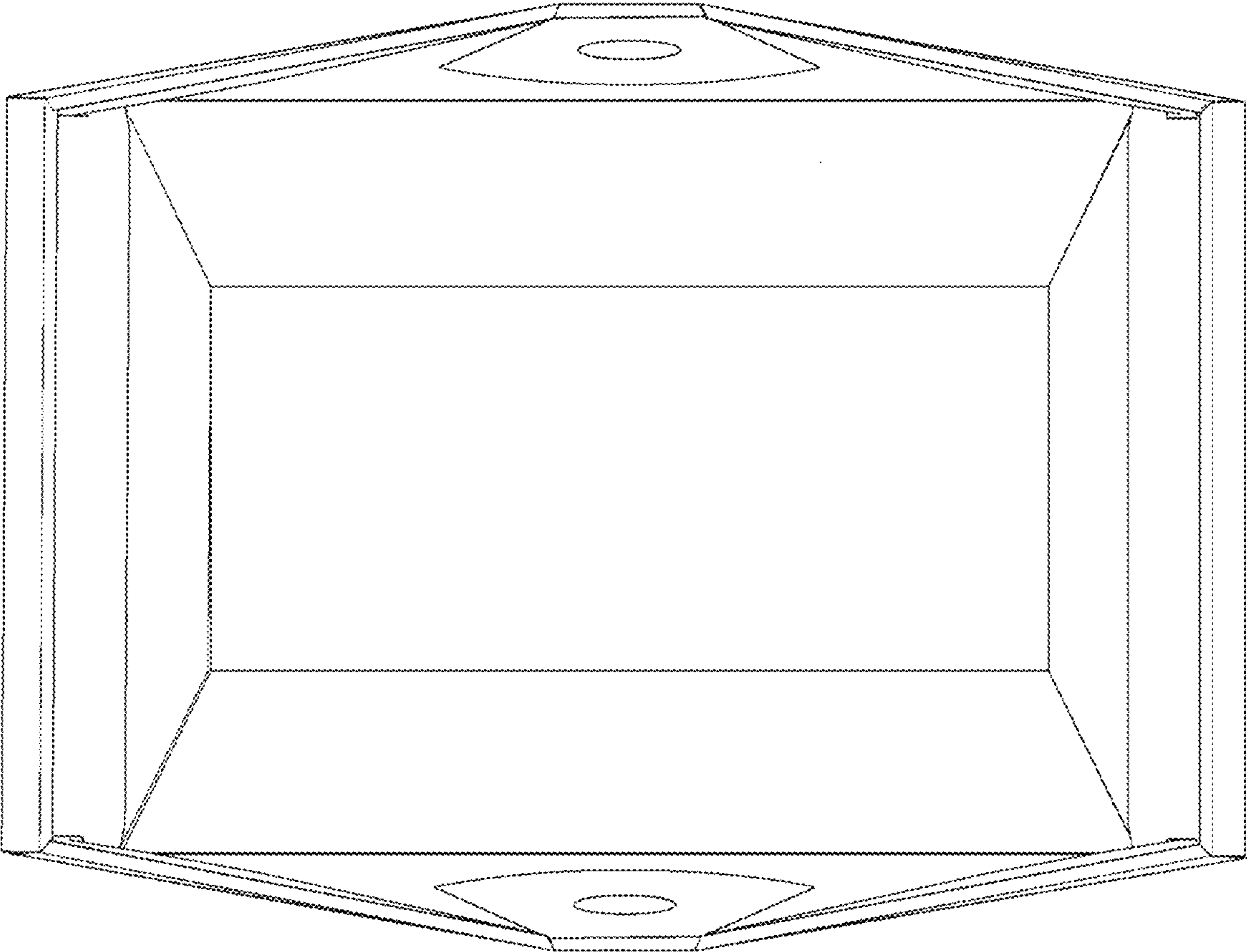


FIG. 7