



US00D900472S

(12) **United States Design Patent**
Durham et al.

(10) **Patent No.:** **US D900,472 S**

(45) **Date of Patent:** **** Nov. 3, 2020**

- (54) **TOTE**
- (71) Applicant: **Amazon Technologies, Inc.**, Seattle, WA (US)
- (72) Inventors: **Joseph Durham**, Portsmouth, NH (US);
Brendon Bielat, Lexington, MA (US);
Jon Taylor, Groton, MA (US)
- (73) Assignee: **Amazon Technologies, Inc.**, Seattle, WA (US)
- (**) Term: **15 Years**
- (21) Appl. No.: **29/696,305**
- (22) Filed: **Jun. 26, 2019**
- (51) **LOC (12) Cl.** **03-01**
- (52) **U.S. Cl.**
USPC **D3/304**
- (58) **Field of Classification Search**
USPC D6/672, 675, 682, 682.1, 683, 683.1;
D3/304, 307, 308, 309, 314, 315
CPC ... B65D 1/00; B65D 1/22; B65D 1/24; B65D
1/243; B65D 11/20
See application file for complete search history.

- D671,321 S * 11/2012 Scott D3/304
- D684,368 S * 6/2013 Stolzman D3/304
- D689,694 S * 9/2013 Barth B65D 11/184
D3/305
- D796,202 S * 9/2017 Ranco D3/304
- D801,687 S * 11/2017 Holland D3/309
- D832,577 S * 11/2018 Ogilvie D3/304
- D844,988 S * 4/2019 Reinhart D3/305
- D847,509 S * 5/2019 Quinn D3/305

* cited by examiner

Primary Examiner — Kelley A Donnelly

(74) *Attorney, Agent, or Firm* — Lee & Hayes, P.C.

(57) **CLAIM**

The ornamental design for a tote, as shown and described.

DESCRIPTION

FIG. 1 is a top, front, right-side perspective view of a first embodiment of a tote;
 FIG. 2 is a front view thereof;
 FIG. 3 is a back view thereof;
 FIG. 4 is a right-side view thereof;
 FIG. 5 is a left-side view thereof;
 FIG. 6 is a top view thereof;
 FIG. 7 is a bottom view thereof;
 FIG. 8 is a top, front, right-side perspective view of a second embodiment of a tote;
 FIG. 9 is a front view thereof;
 FIG. 10 is a back view thereof;
 FIG. 11 is a right-side view thereof;
 FIG. 12 is a left-side view thereof;
 FIG. 13 is a top view thereof; and,
 FIG. 14 is a bottom view thereof.

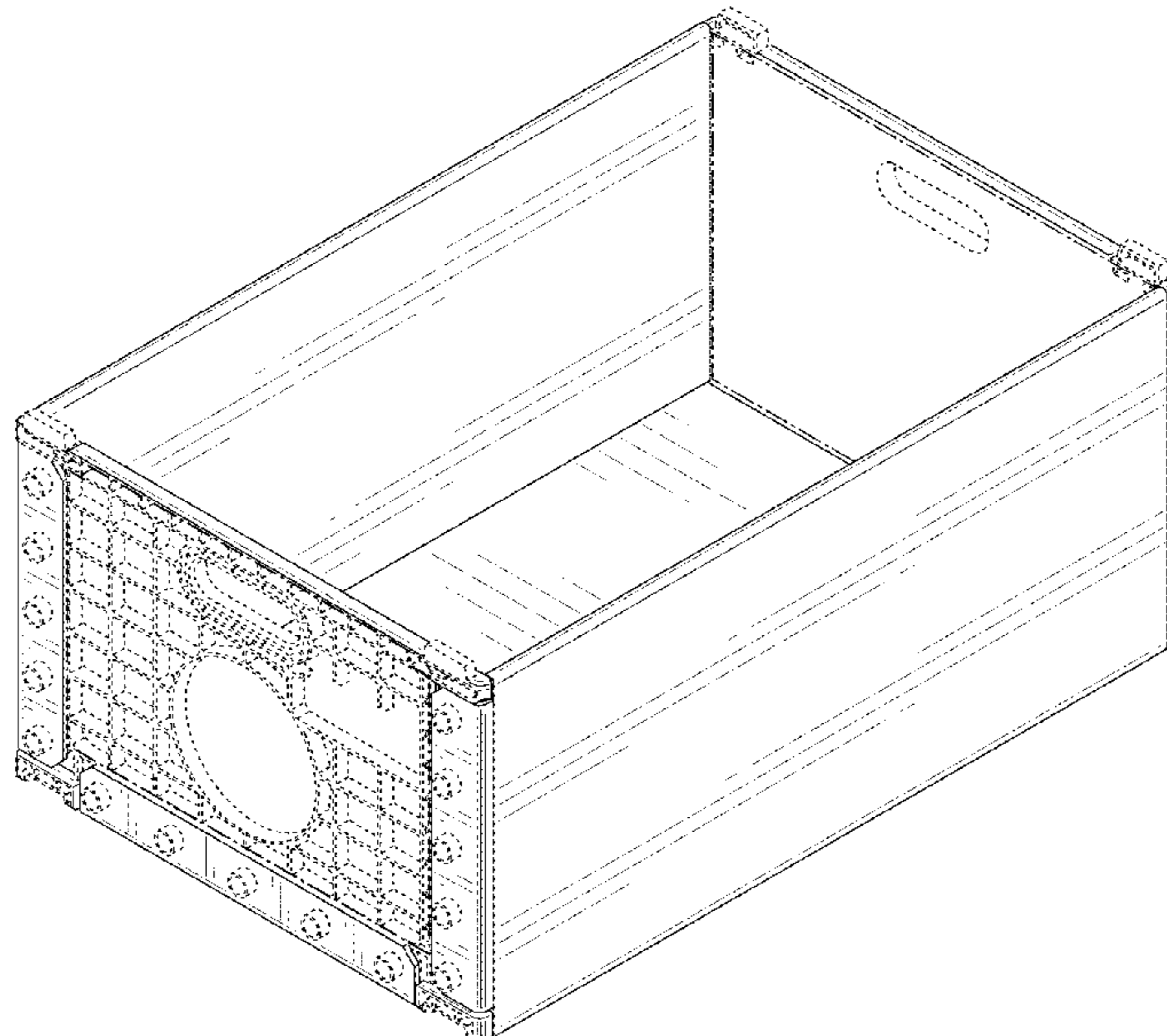
The dashed broken lines depict portions of the tote that form no part of the claimed design. The dot-dashed broken lines represent boundaries of the claimed tote and form no part of the claimed design.

(56) **References Cited**

U.S. PATENT DOCUMENTS

- D236,804 S * 9/1975 Stauble D3/312
- D246,872 S * 1/1978 White D3/304
- D248,280 S * 6/1978 Martin D3/304
- D259,818 S * 7/1981 Beavis D3/311
- D260,602 S * 9/1981 O'Donnal D3/311
- D307,499 S * 4/1990 Box D3/312
- D351,284 S * 10/1994 Kruger D3/304
- D393,553 S * 4/1998 Beggs D3/312
- D400,711 S * 11/1998 Hwang D3/307
- D403,895 S * 1/1999 Beggs D3/312
- D663,121 S * 7/2012 Barth D3/304
- D670,081 S * 11/2012 Orgeldinger D3/307

1 Claim, 14 Drawing Sheets



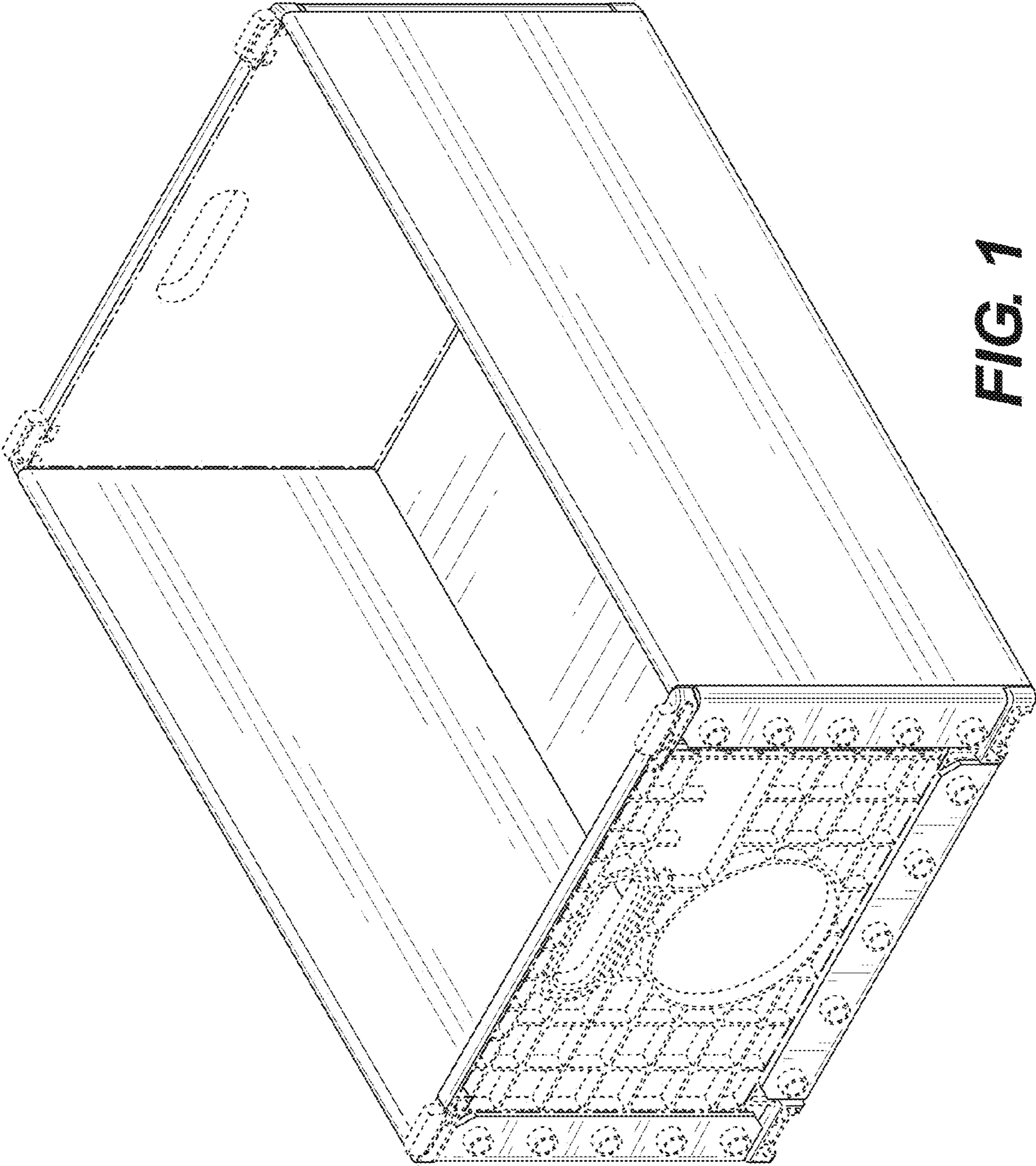


FIG. 1

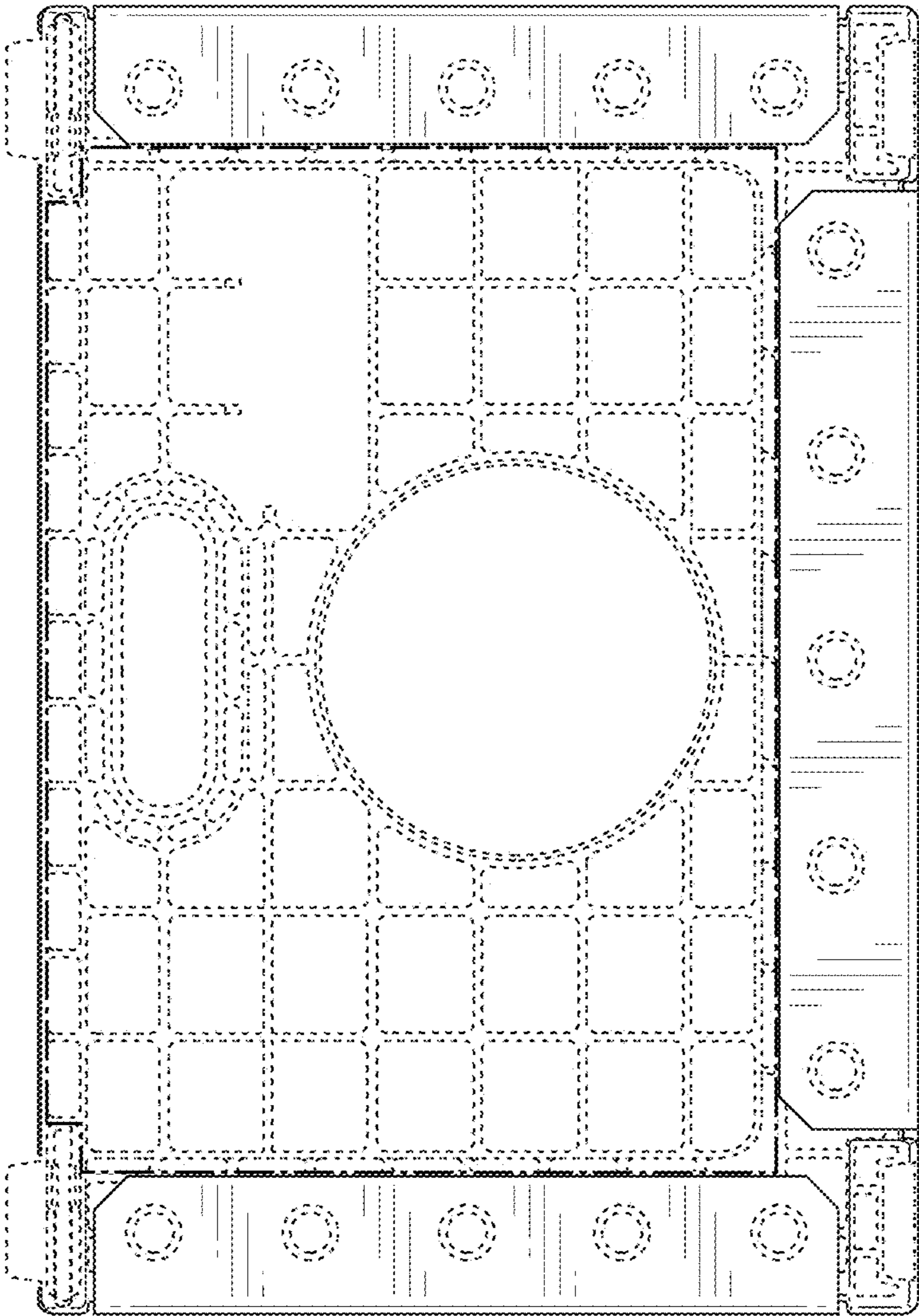


FIG. 2

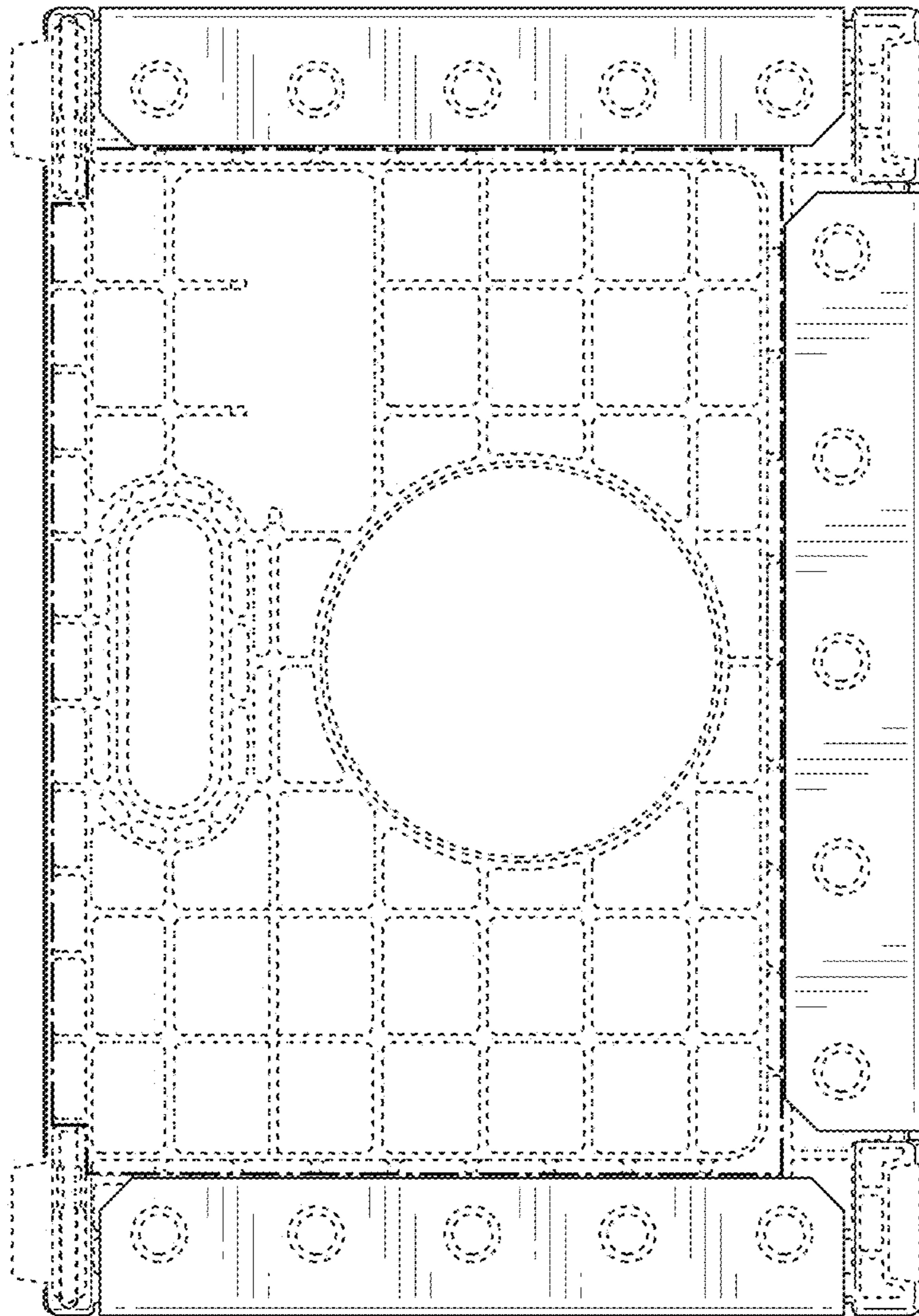


FIG. 3

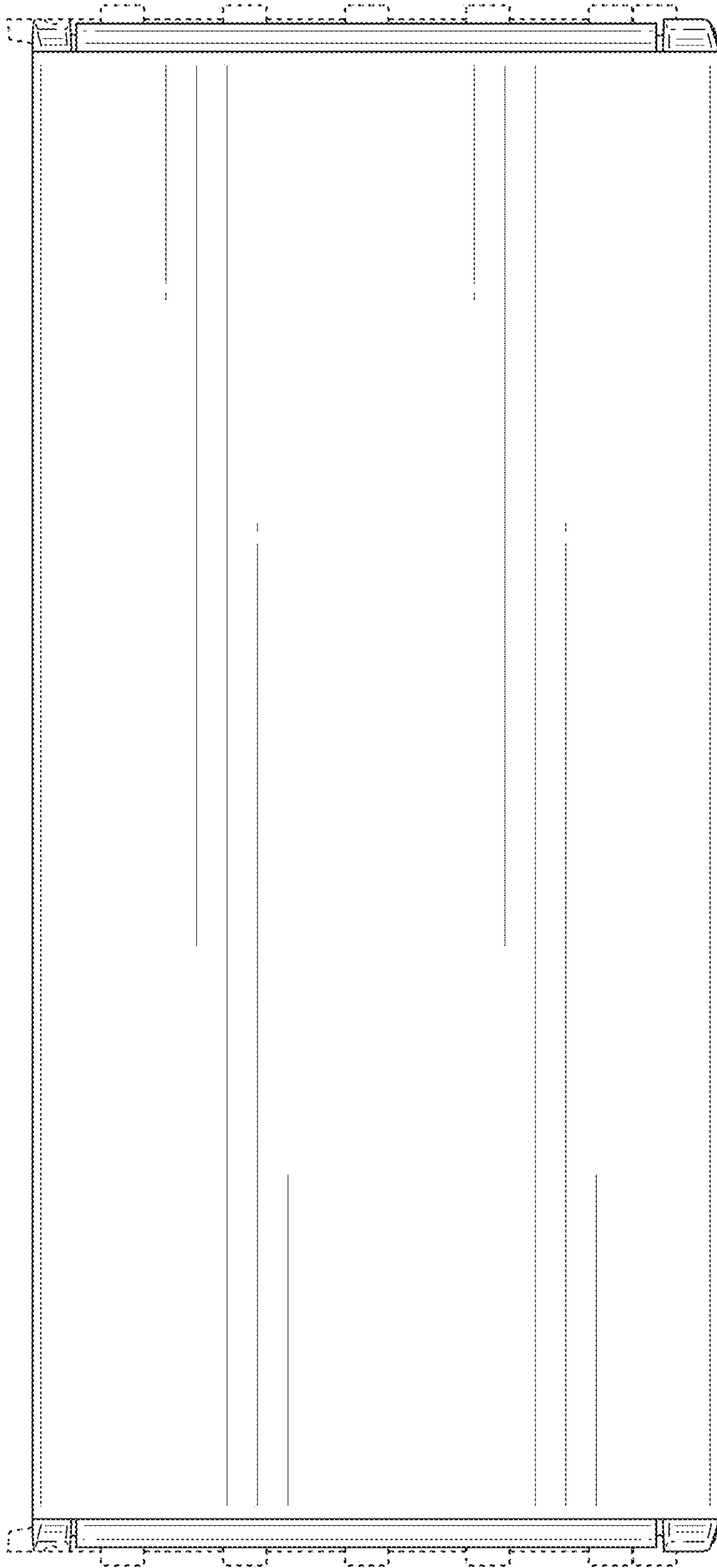


FIG. 4

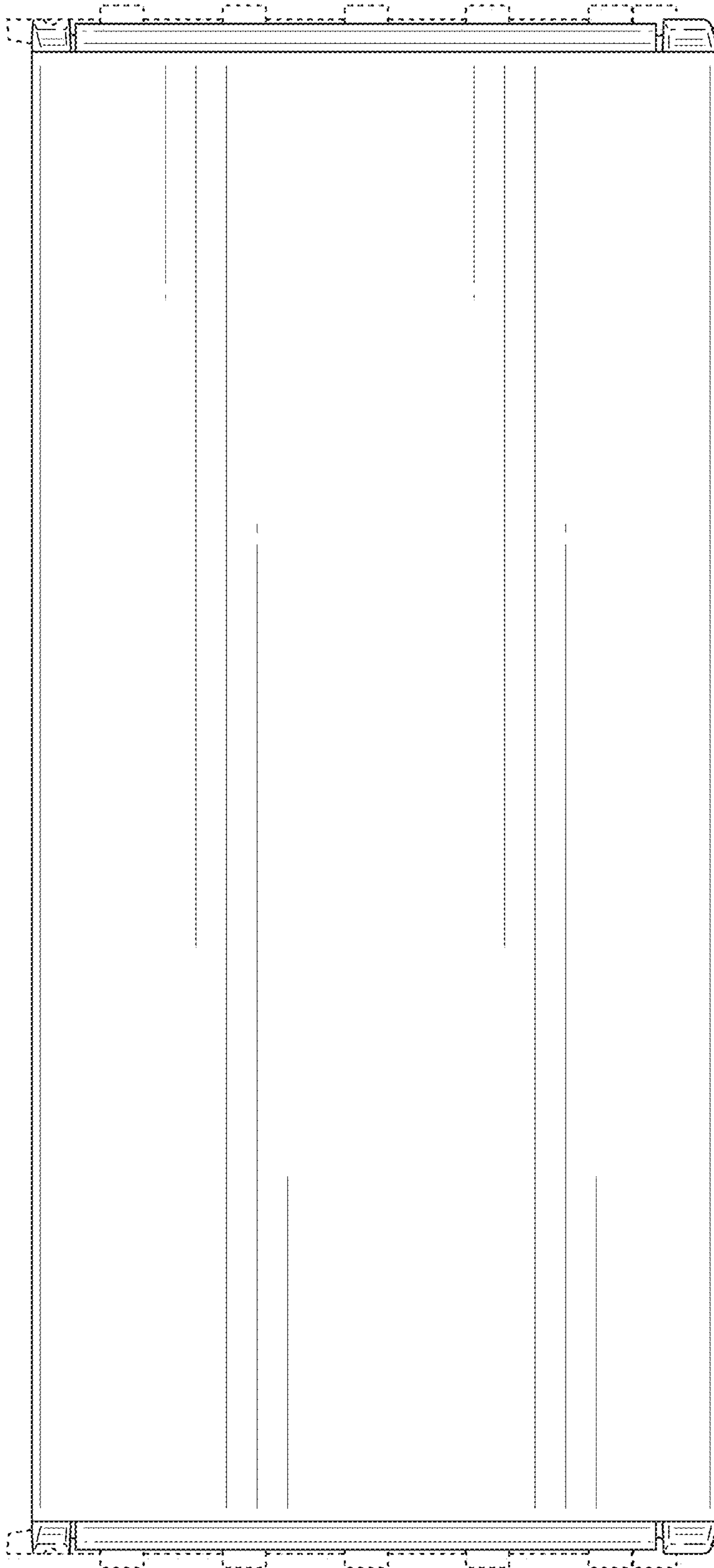


FIG. 5

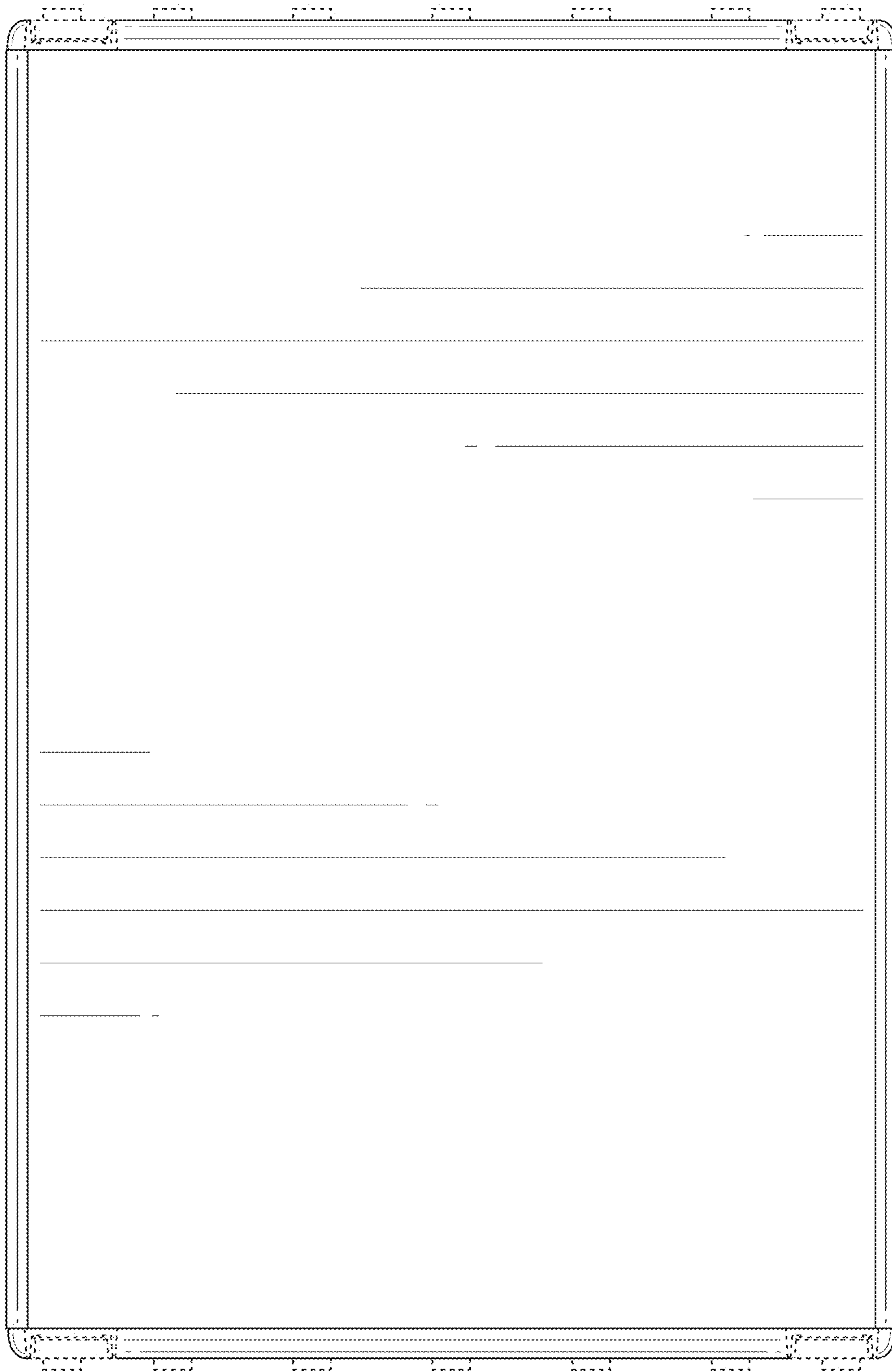


FIG. 6

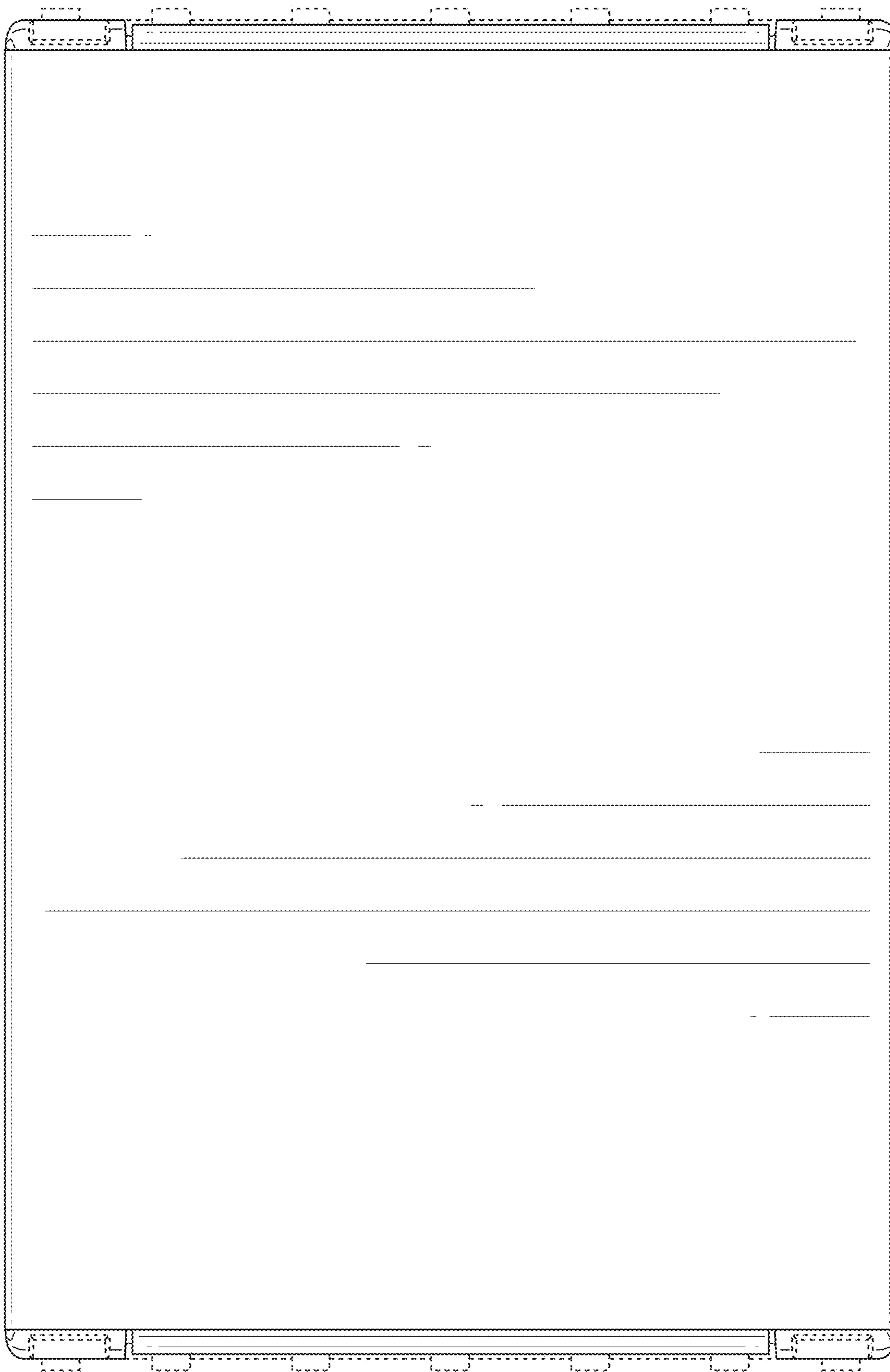
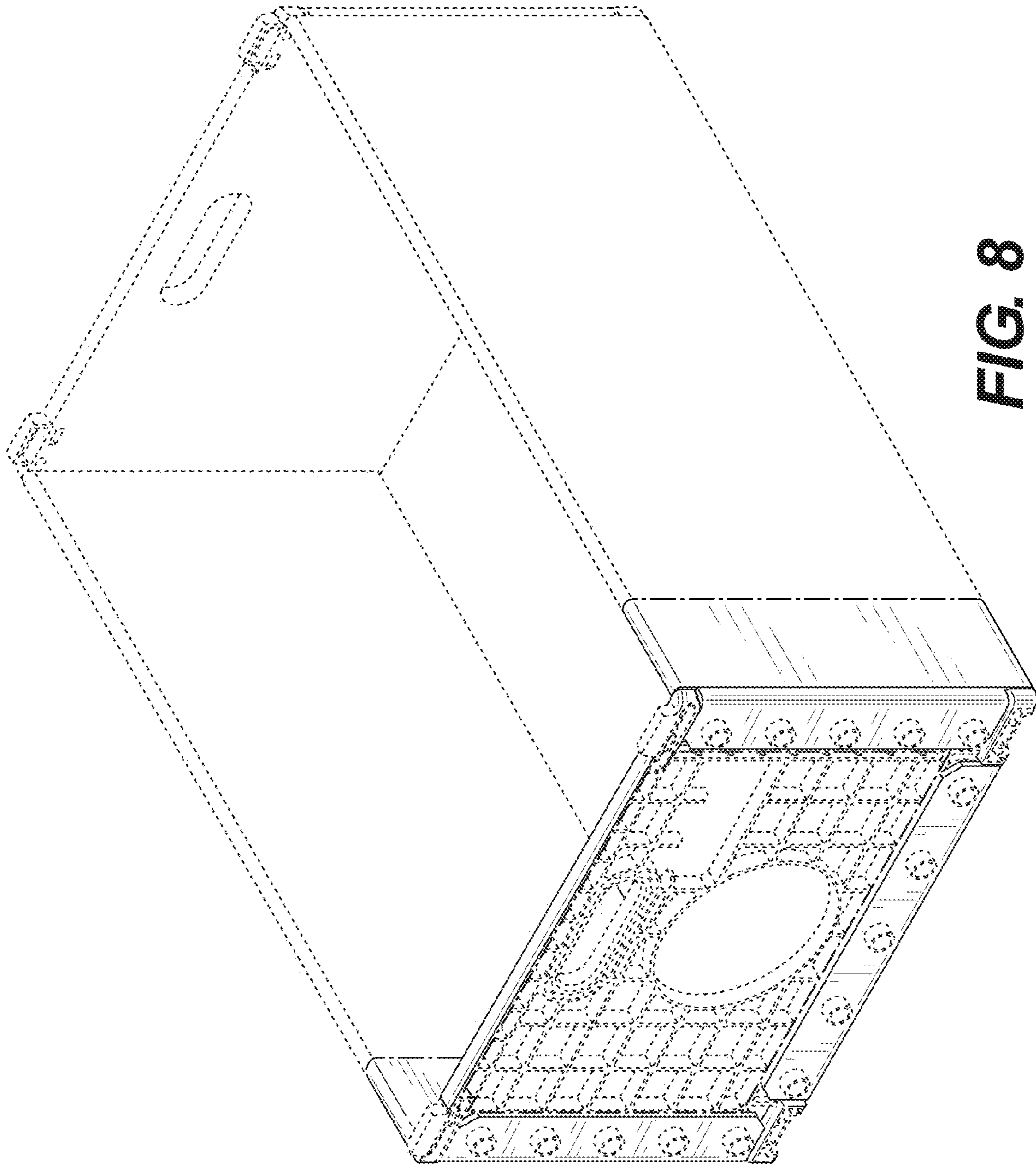


FIG. 7



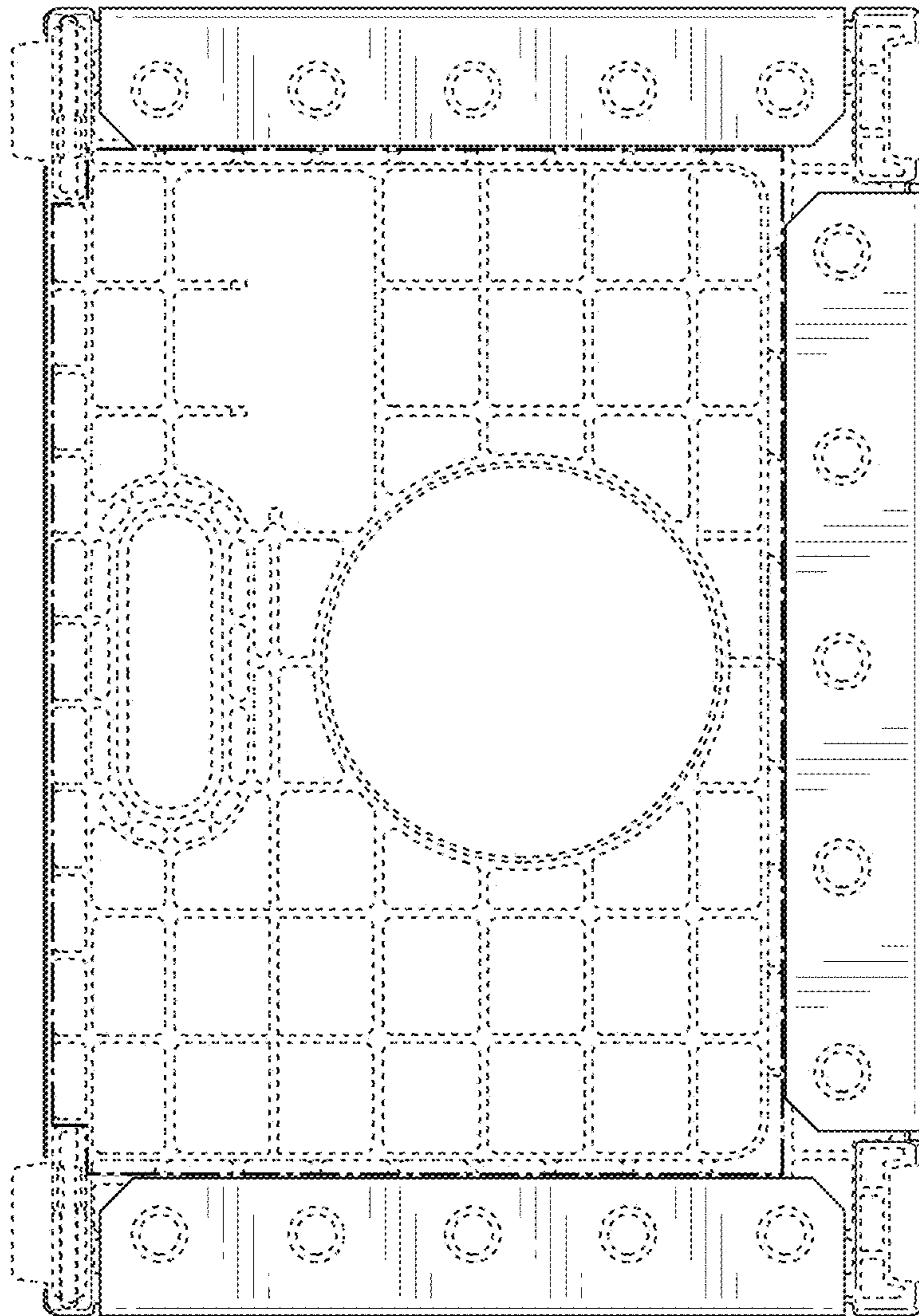


FIG. 9

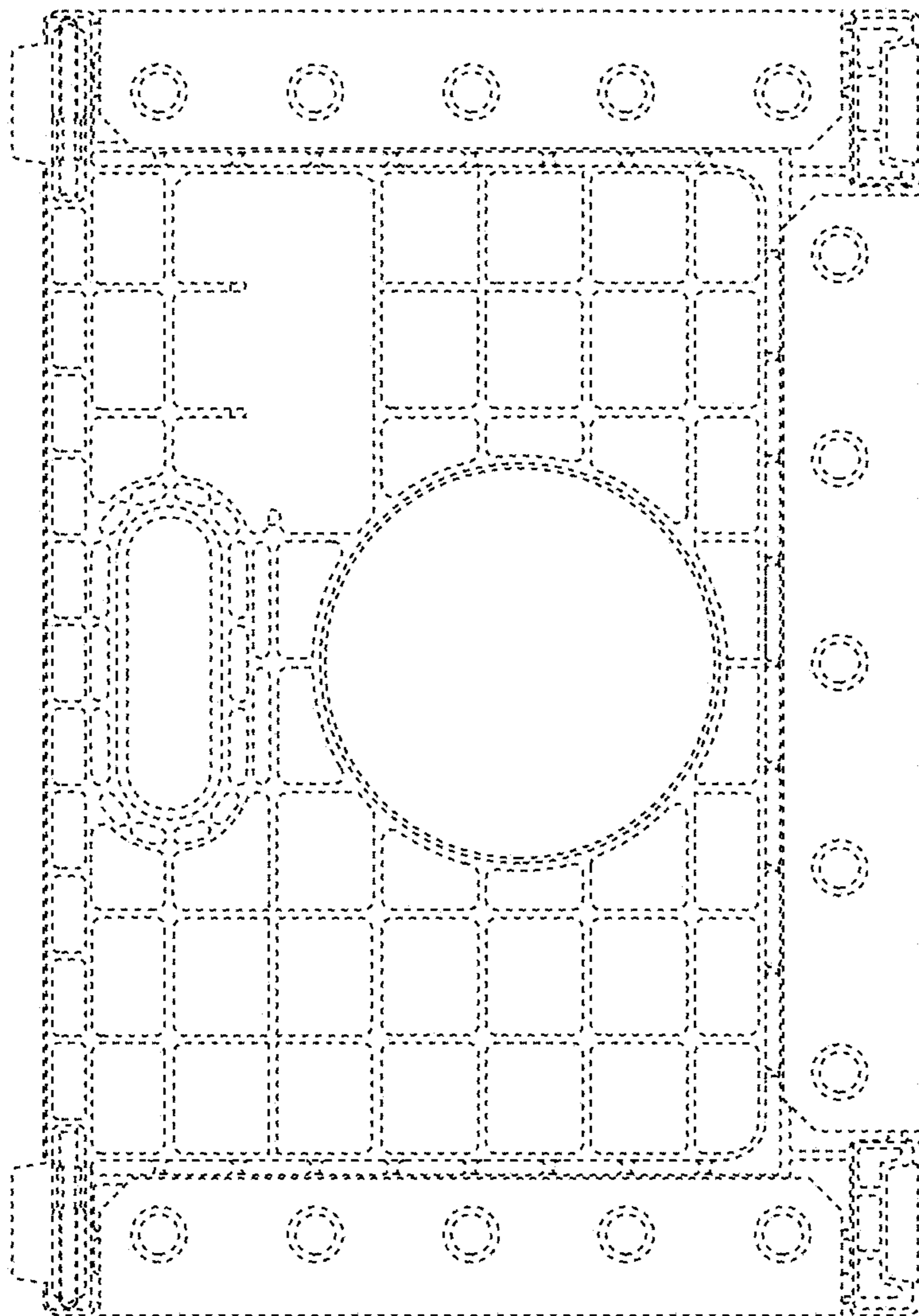


FIG. 10



FIG. 11



FIG. 12

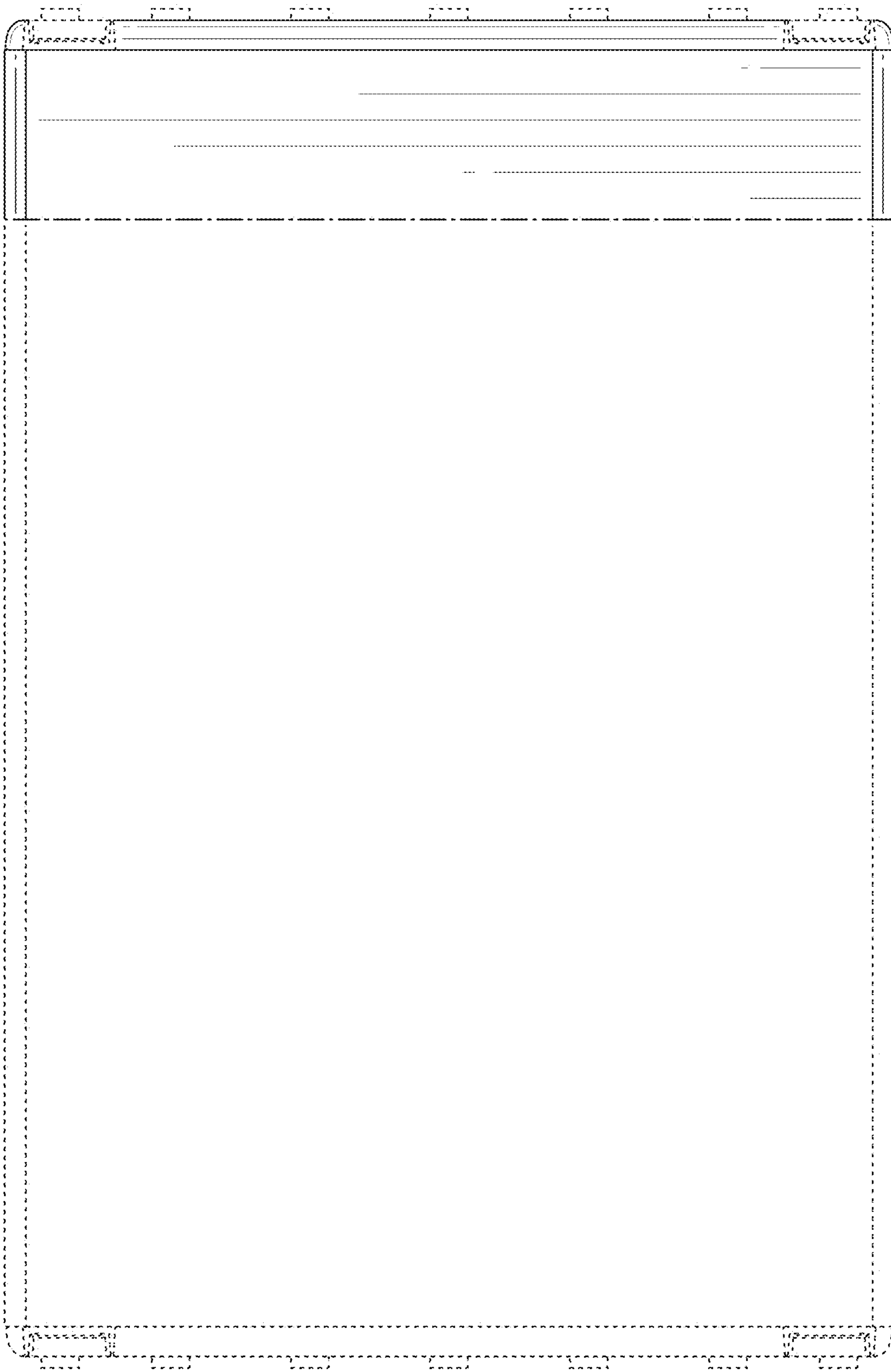


FIG. 13

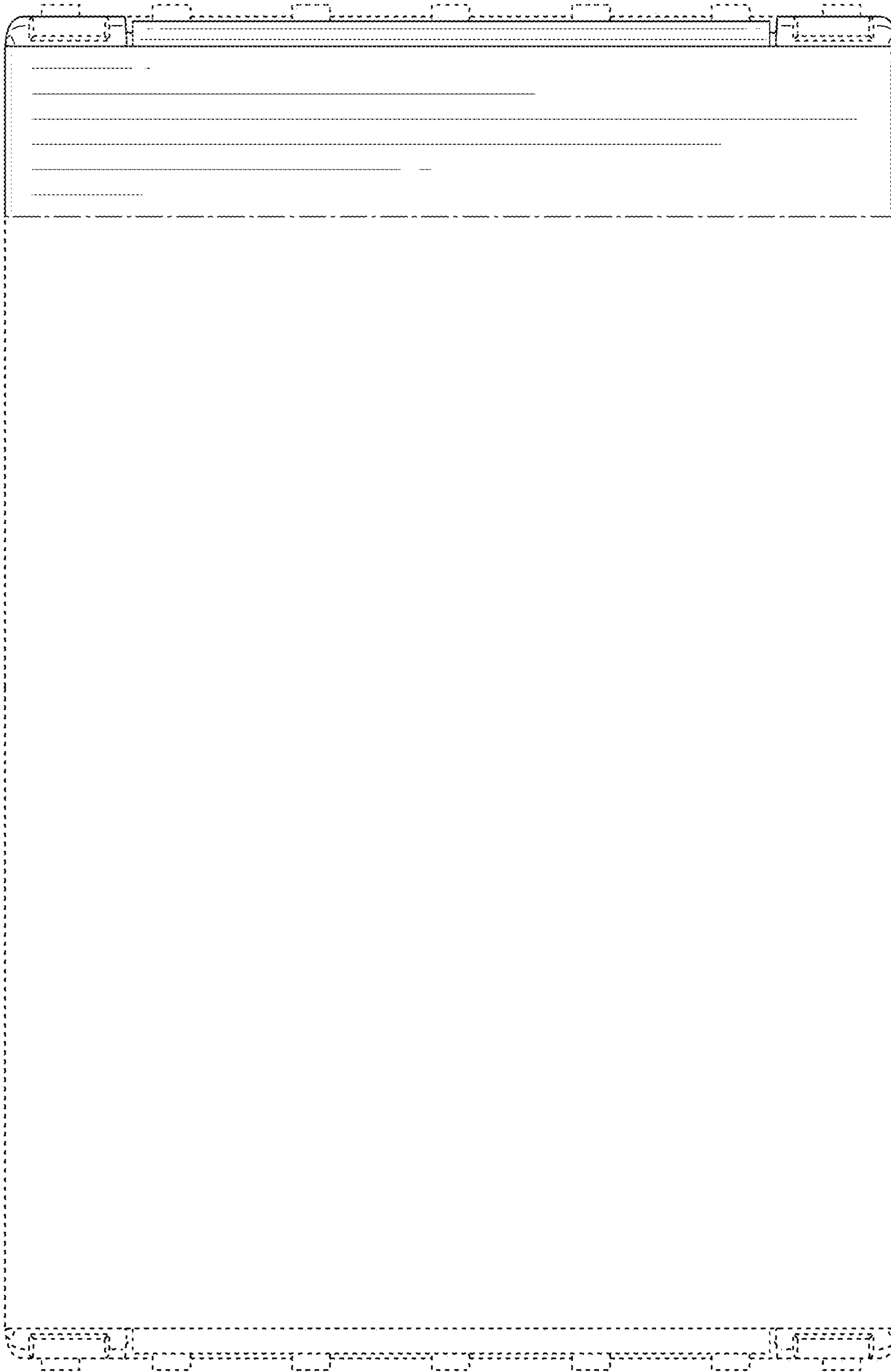


FIG. 14