



US00D900467S

(12) **United States Design Patent**  
**Yang**

(10) **Patent No.:** **US D900,467 S**

(45) **Date of Patent:** **\*\* Nov. 3, 2020**

(54) **HORIZONTAL WAIST BAG**

(71) Applicant: **SHENZHENSHI  
GUANGSHENGHONGYUAN  
TRADING CO., LTD.**, Shenzhen (CN)

(72) Inventor: **Gaozong Yang**, Fuzhou (CN)

(73) Assignee: **SHENZHENSHI  
GUANGSHENGHONGYUAN  
TRADING CO., LTD.**, Shenzhen (CN)

(\*\*) Term: **15 Years**

(21) Appl. No.: **29/677,997**

(22) Filed: **Jan. 25, 2019**

(51) **LOC (12) Cl.** ..... **03-01**

(52) **U.S. Cl.**  
USPC ..... **D3/226**

(58) **Field of Classification Search**  
USPC ..... D3/218, 215, 222, 226, 228, 232–233,  
D3/247, 269, 301, 303; 224/676, 681,  
224/901, 904, 930, 240–241, 245, 578,  
224/674, 195, 660; 206/305, 320  
CPC ..... A45C 1/06; A45F 5/00; A45F 5/02; A45F  
5/021; A45F 2200/055  
See application file for complete search history.

(56) **References Cited**

**U.S. PATENT DOCUMENTS**

4,852,783 A \* 8/1989 Bryden ..... A45F 5/02  
224/684  
D456,989 S \* 5/2002 Carothers ..... D3/226

D550,451 S \* 9/2007 Burlington ..... D3/226  
D718,930 S \* 12/2014 Cabana ..... D3/228  
D856,677 S \* 8/2019 Gill ..... D3/215  
D870,455 S \* 12/2019 Yang ..... D3/226  
D886,448 S \* 6/2020 Zhang ..... D3/226

\* cited by examiner

*Primary Examiner* — Catherine R Oliver-Garcia

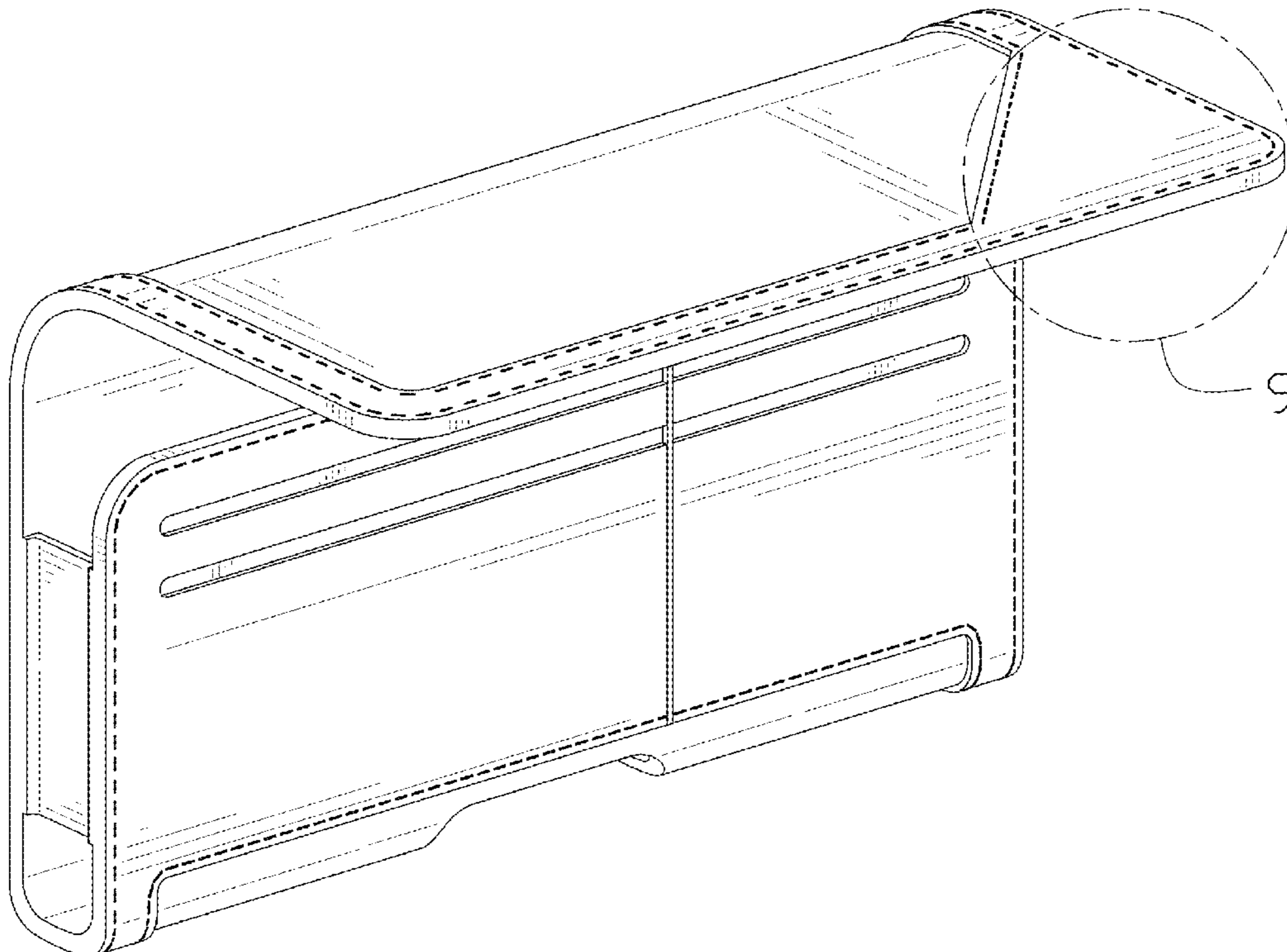
(57) **CLAIM**

The ornamental design for a horizontal waist bag, as shown and described.

**DESCRIPTION**

FIG. 1 is a perspective view of a horizontal waist bag showing my new design;  
FIG. 2 is another perspective view thereof;  
FIG. 3 is a front elevational view thereof;  
FIG. 4 is a rear elevational view thereof;  
FIG. 5 is a left side elevational view thereof;  
FIG. 6 is a right side elevational view thereof;  
FIG. 7 is a top plan view thereof;  
FIG. 8 is a bottom plan view thereof; and,  
FIG. 9 is an enlarged view of portion 9 shown in FIG. 1.  
The broken lines in the drawings illustrate portions of the horizontal waist bag that form no part of the claimed design.

**1 Claim, 9 Drawing Sheets**



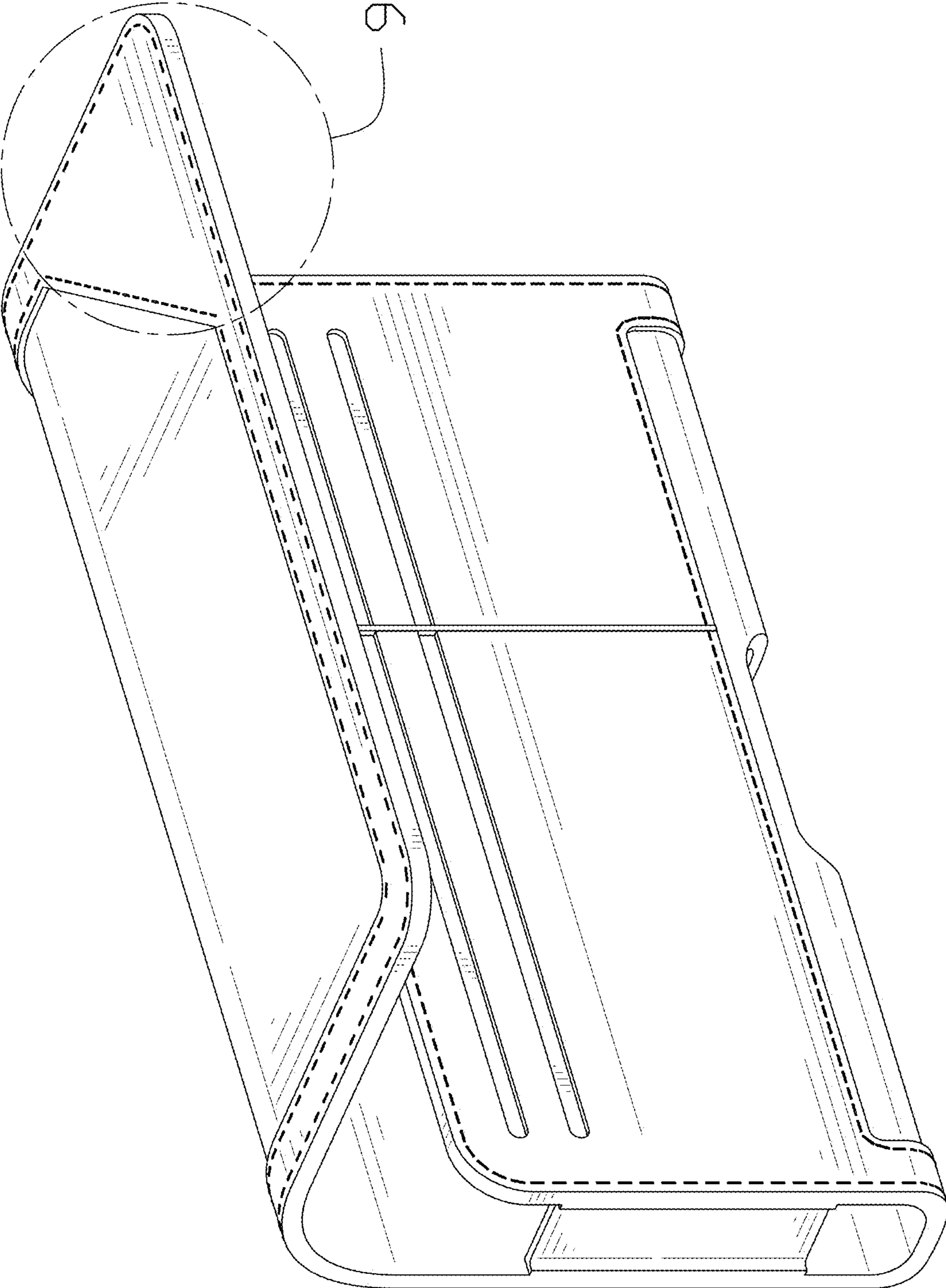


FIG. 1

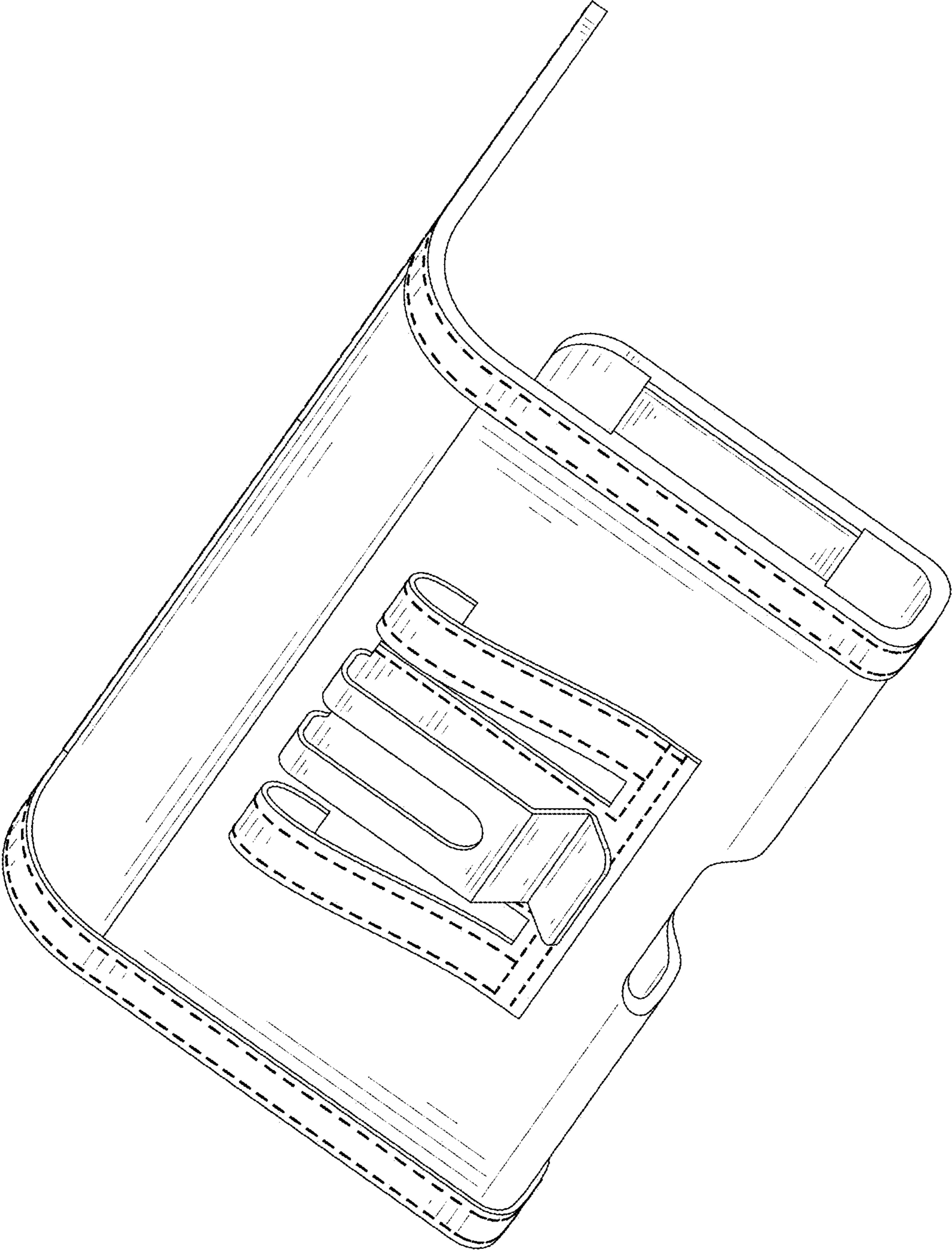


FIG. 2

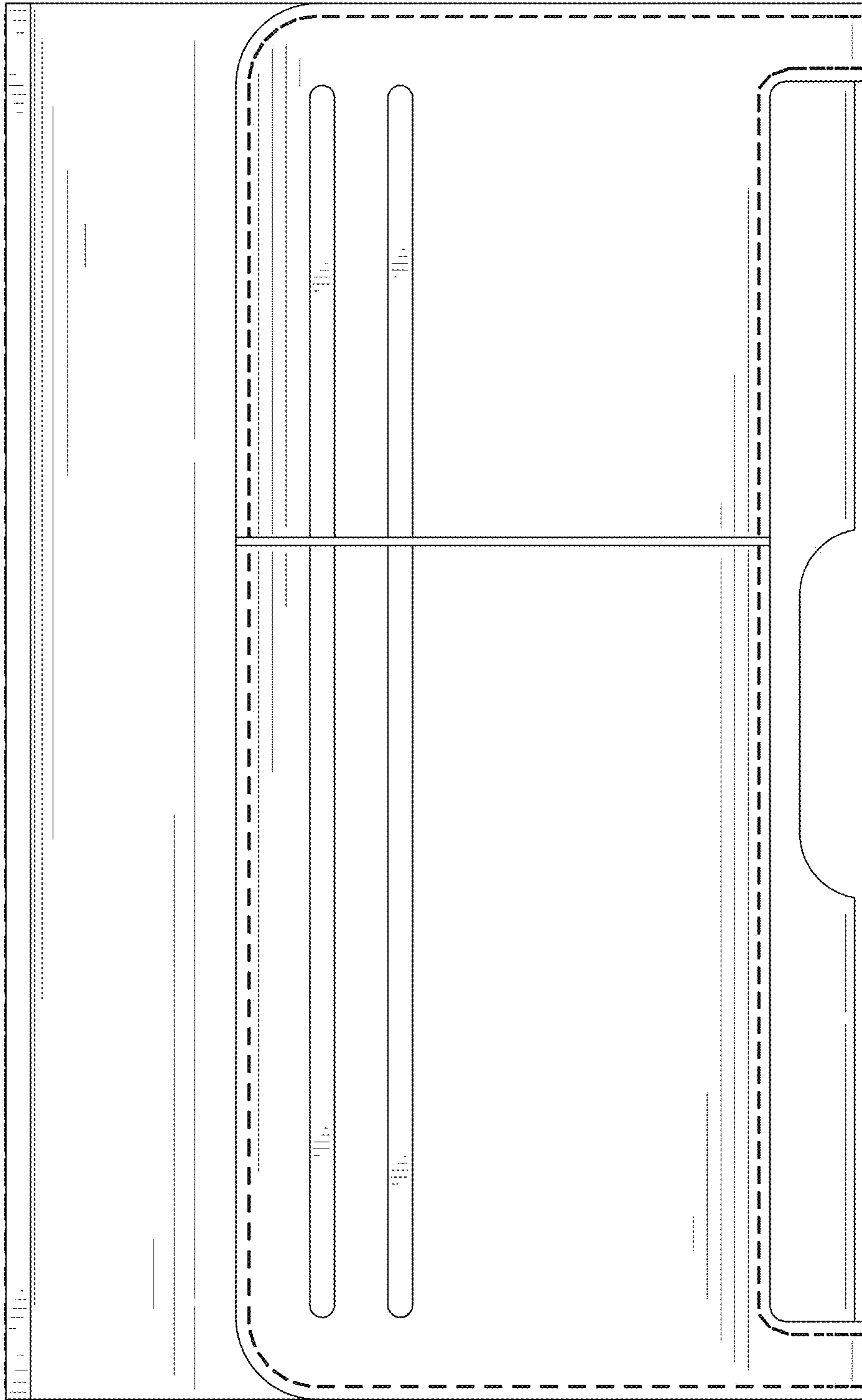


FIG. 3

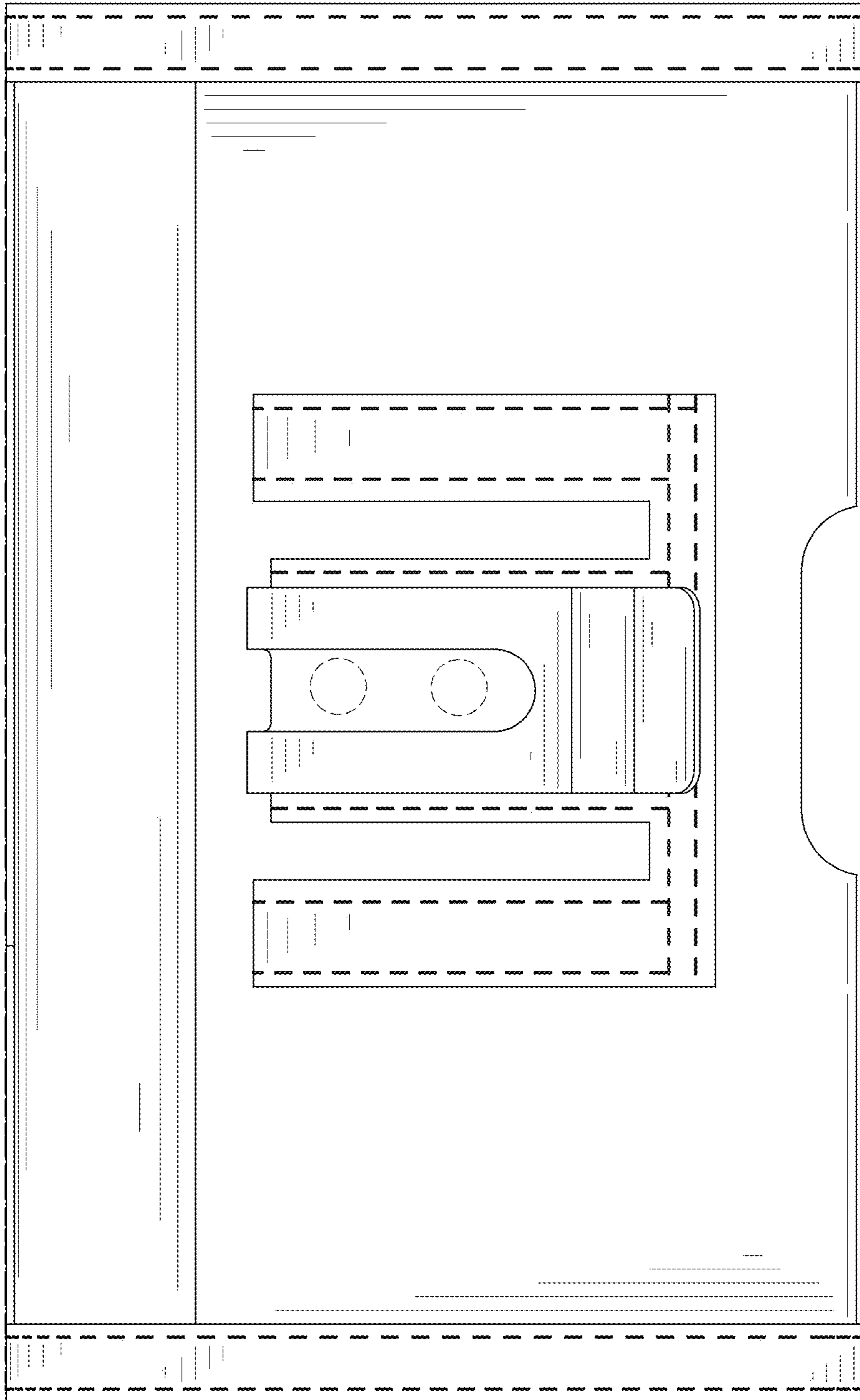


FIG. 4

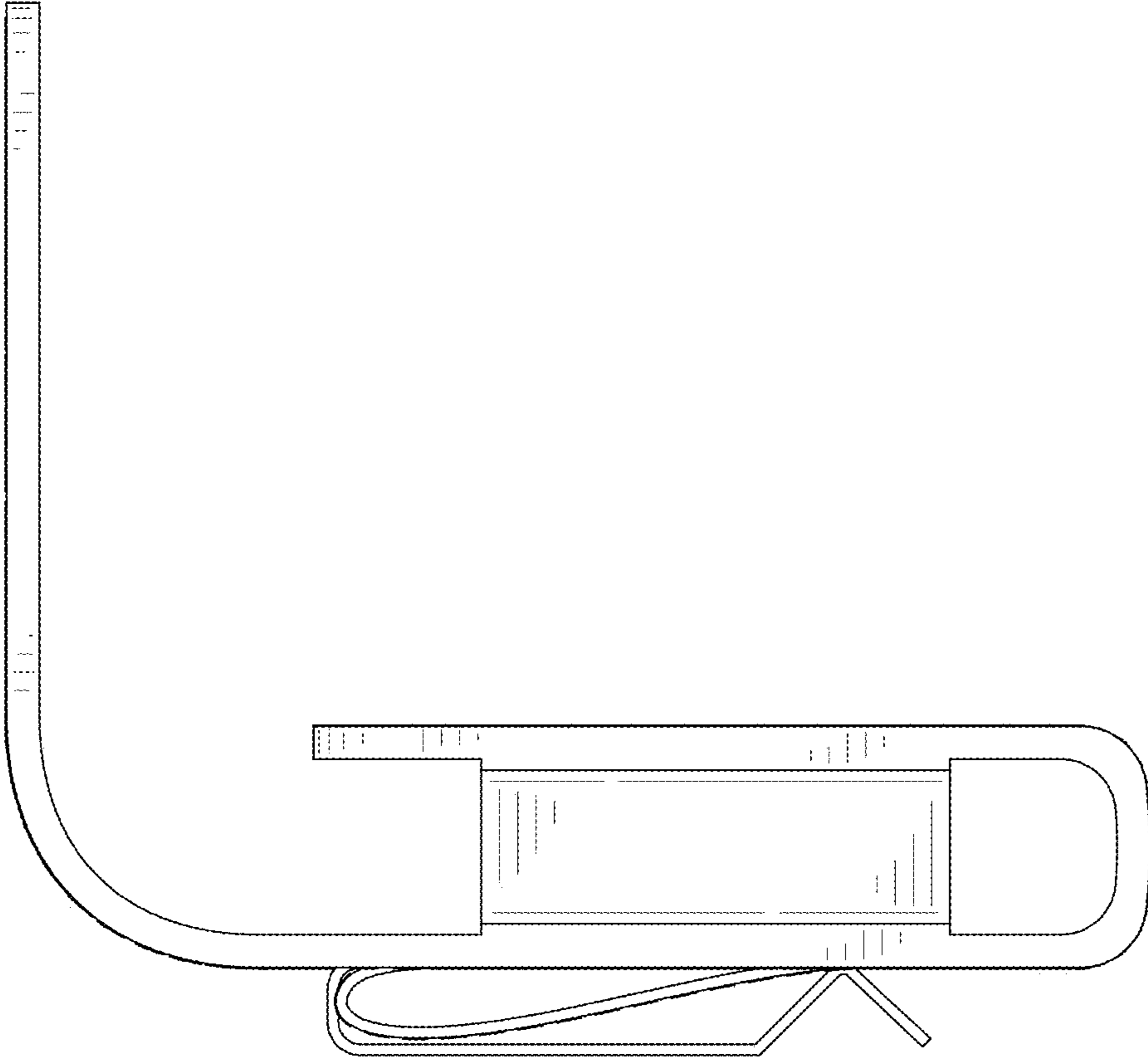


FIG. 5

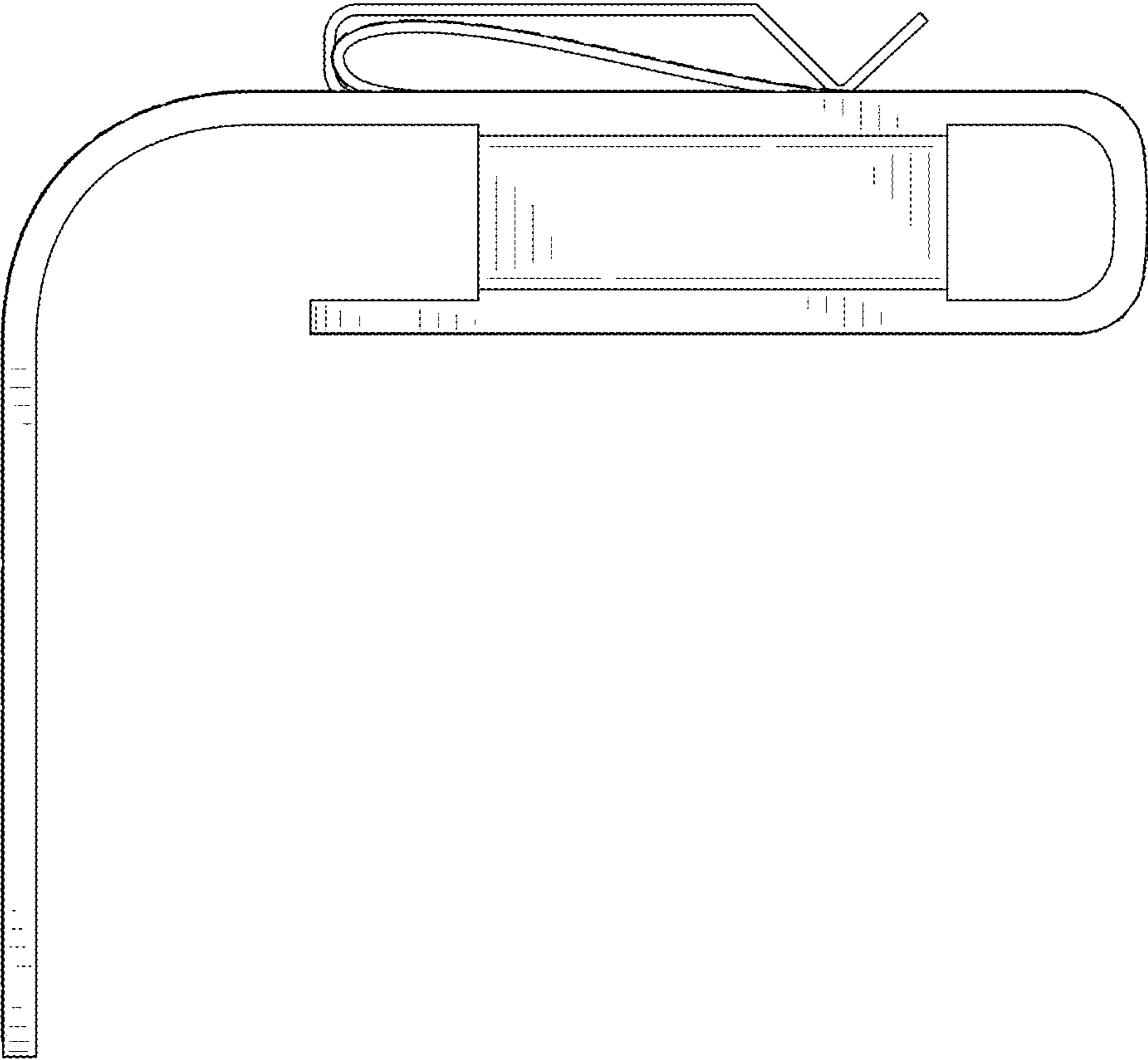


FIG. 6

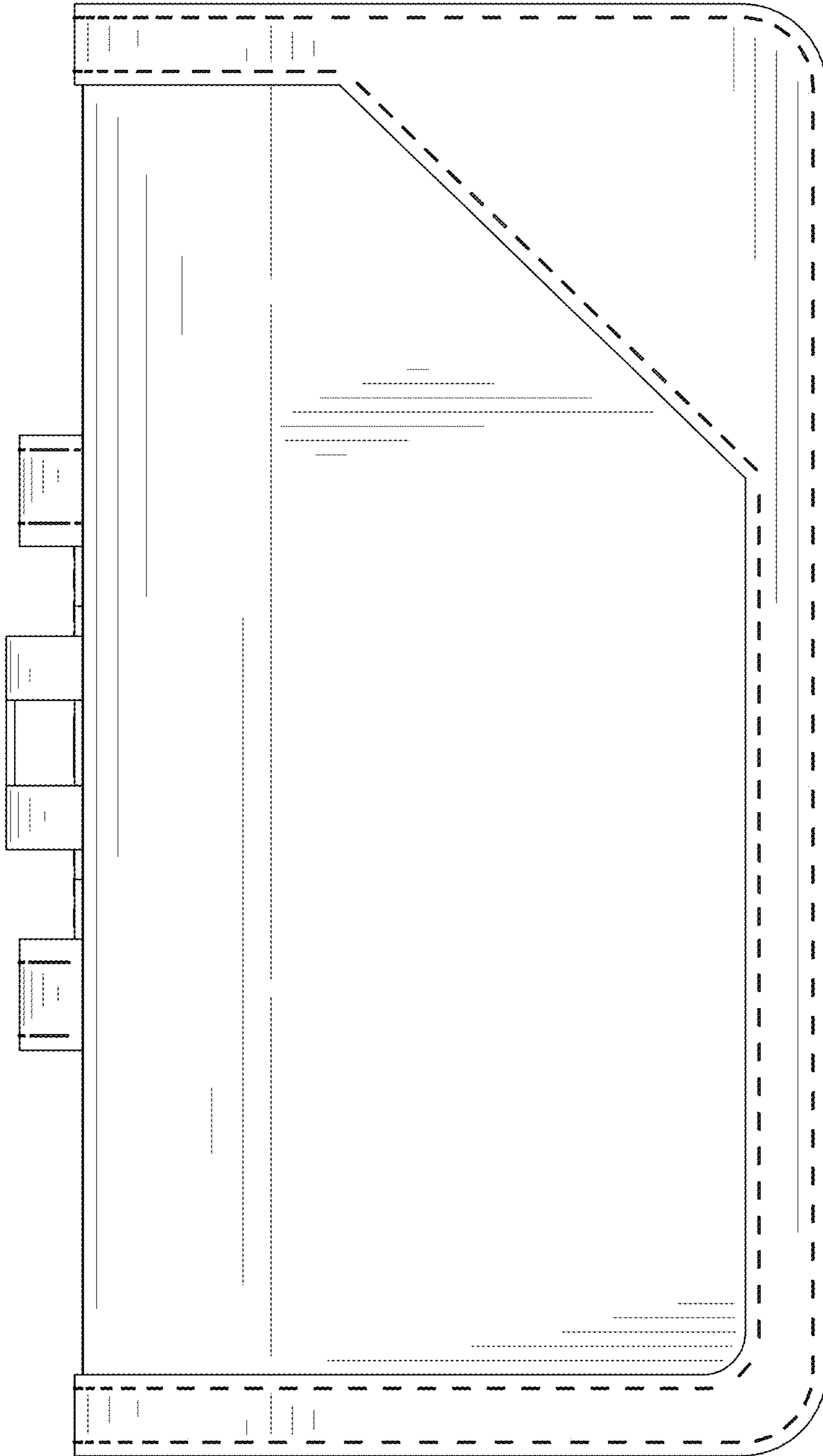


FIG. 7



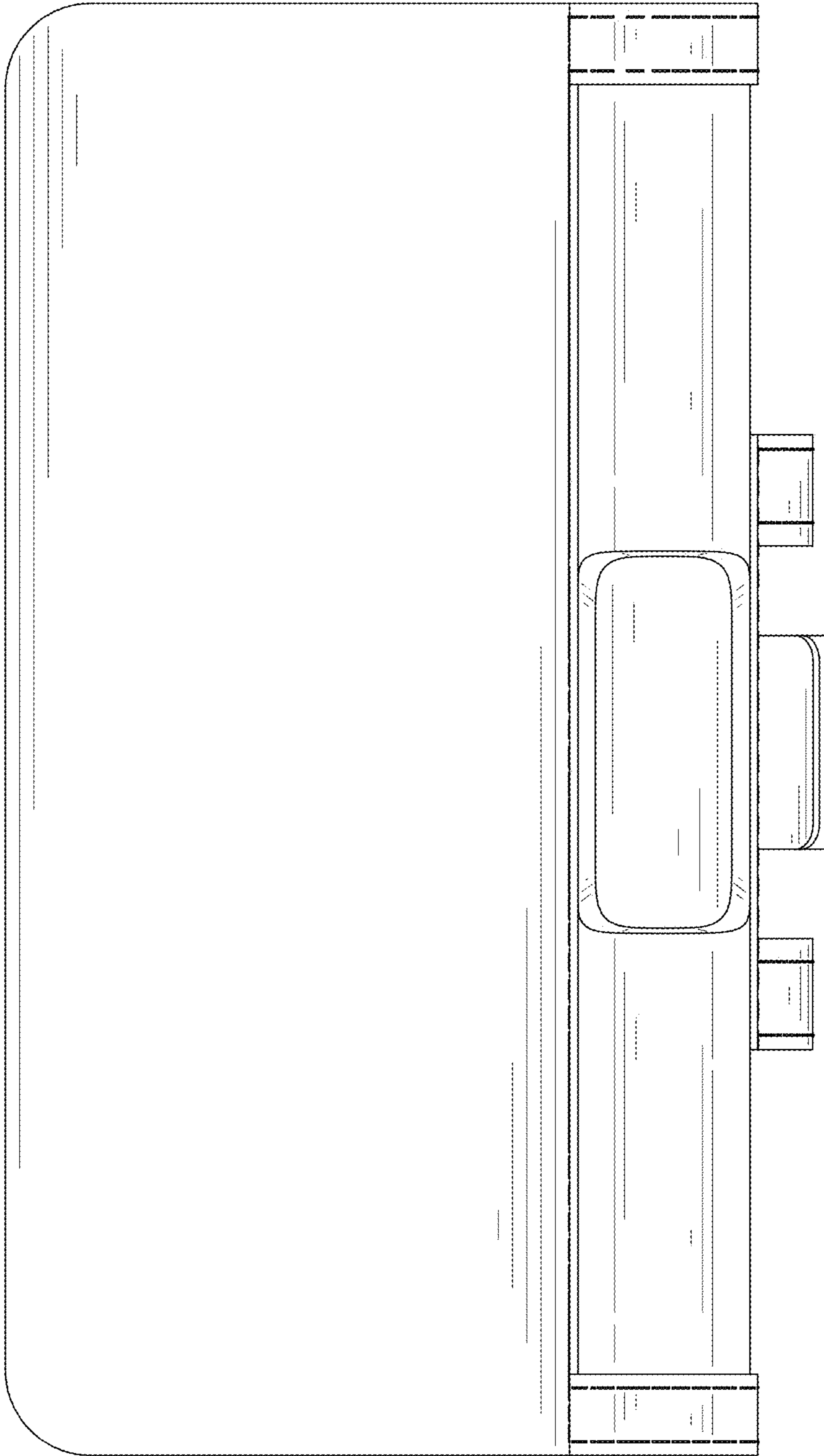


FIG. 8

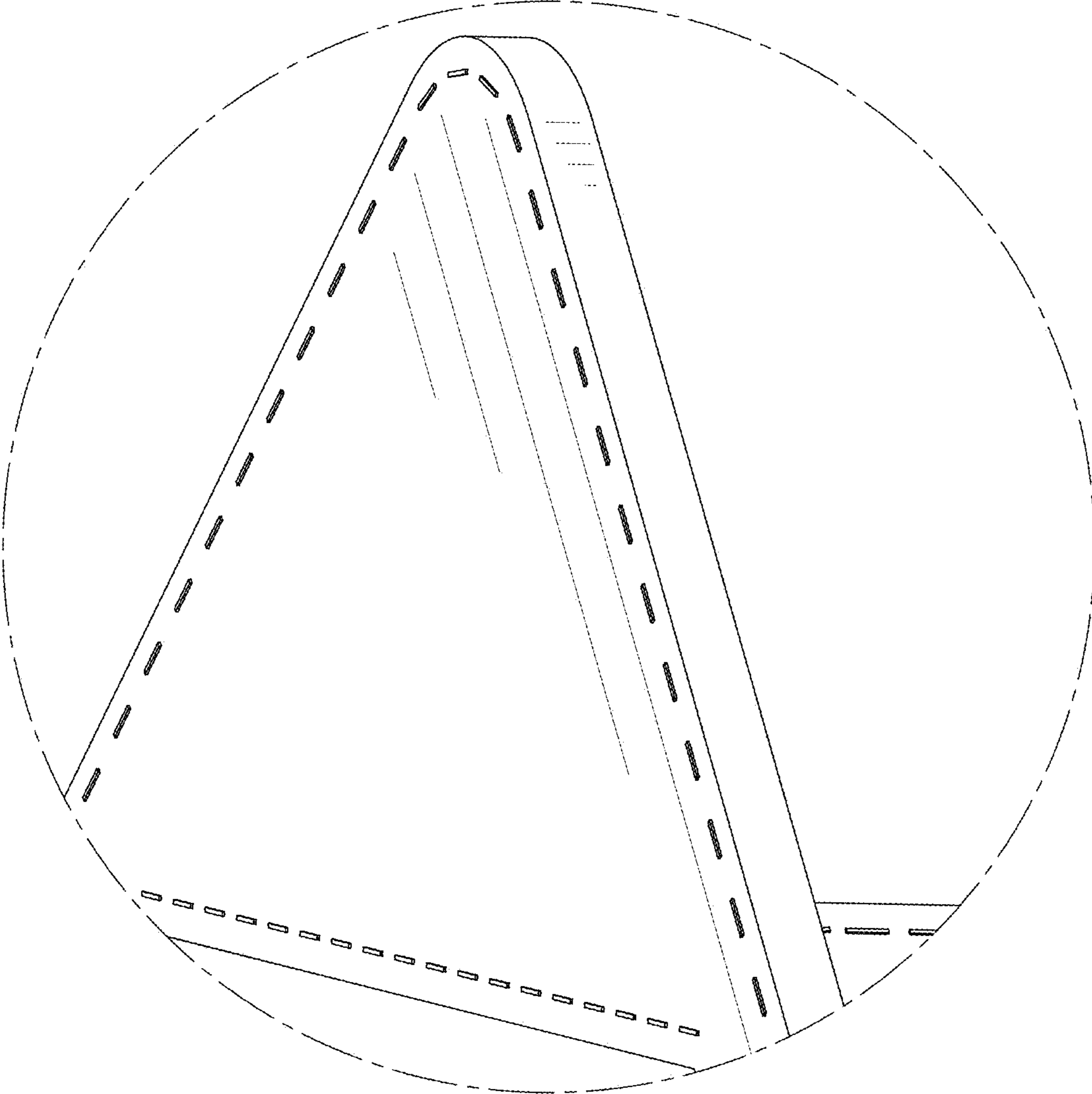


FIG. 9