



US00D900466S

(12) **United States Design Patent** (10) **Patent No.:** **US D900,466 S**
McGrath (45) **Date of Patent:** **** Nov. 3, 2020**

(54) **COSMETICS BOX**
(71) Applicant: **Pat McGrath Cosmetics LLC**, New York, NY (US)
(72) Inventor: **Patricia McGrath**, New York, NY (US)
(73) Assignee: **Pat McGrath Cosmetics LLC**, New York, NY (US)

(**) Term: **15 Years**
(21) Appl. No.: **29/667,099**

(22) Filed: **Oct. 18, 2018**
(51) **LOC (12) Cl.** **03-01**
(52) **U.S. Cl.**
USPC **D3/203.3**
(58) **Field of Classification Search**
USPC D3/203.3, 201, 203.6, 203.7, 216, 217,
D3/267, 285, 287, 289, 301; D28/73,
D28/76-84
CPC .. A45C 3/08; A45C 3/06; A45C 13/08; A45C
13/02; A45C 7/0086; A45C 3/00; A45C
13/26; A45F 3/04; A45F 3/02
See application file for complete search history.

(56) **References Cited**

U.S. PATENT DOCUMENTS

D517,244 S * 3/2006 Ditrichstein D28/78
D531,760 S * 11/2006 Nobuto D28/78
D564,217 S * 3/2008 Knox D3/203.1
D583,997 S * 12/2008 Thorpe D28/83
D586,505 S * 2/2009 Moon D28/82
D631,609 S * 1/2011 Lai D28/83

D632,015 S * 2/2011 Lai D28/83
D638,215 S * 5/2011 Kellington D3/203.1
D656,679 S * 3/2012 Lai D28/83
D753,882 S * 4/2016 Chertoff D28/83
D851,912 S * 6/2019 Kim D3/201
2010/0132734 A1* 6/2010 Mills A45D 40/24
132/294
2012/0055503 A1* 3/2012 Kuo A45D 33/006
132/293

* cited by examiner

Primary Examiner — Mark A Goodwin
Assistant Examiner — Benjamin M Weeks
(74) *Attorney, Agent, or Firm* — Ziegler IP Law Group, LLC

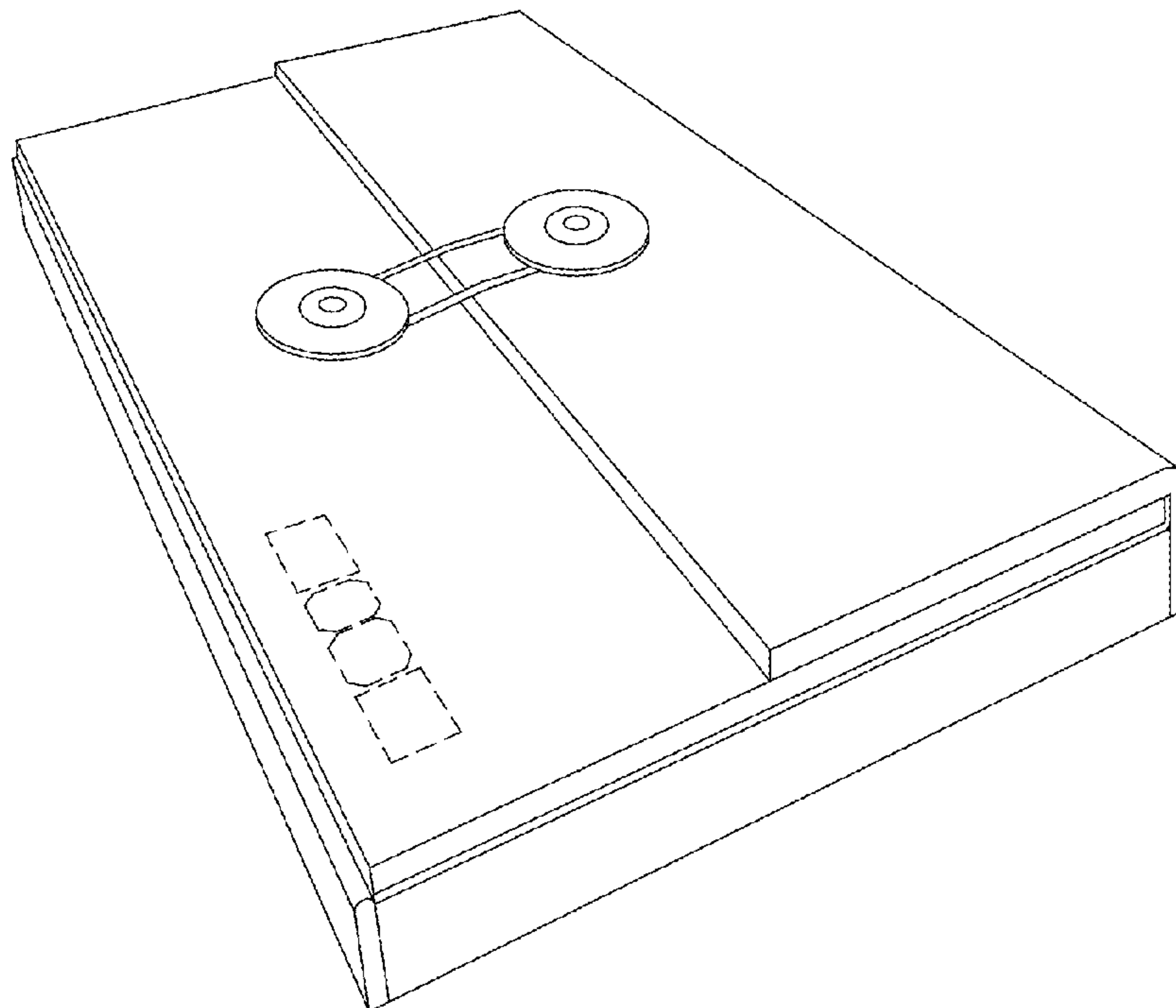
(57) **CLAIM**

The ornamental design for a cosmetics box, as shown and described.

DESCRIPTION

FIG. 1 is a perspective view of a cosmetics box showing the new design;
FIG. 2 is a perspective view thereof, with the cosmetics box in an open state, showing the interior portions of the cosmetics box;
FIG. 3 is a top view thereof;
FIG. 4 is a side view thereof;
FIG. 5 is a bottom, view thereof;
FIG. 6 is a side view thereof;
FIG. 7 is a front view thereof; and,
FIG. 8 is a back view thereof.
The environmental structure shown with broken lines in the drawings forms no part of the claimed design.

1 Claim, 8 Drawing Sheets



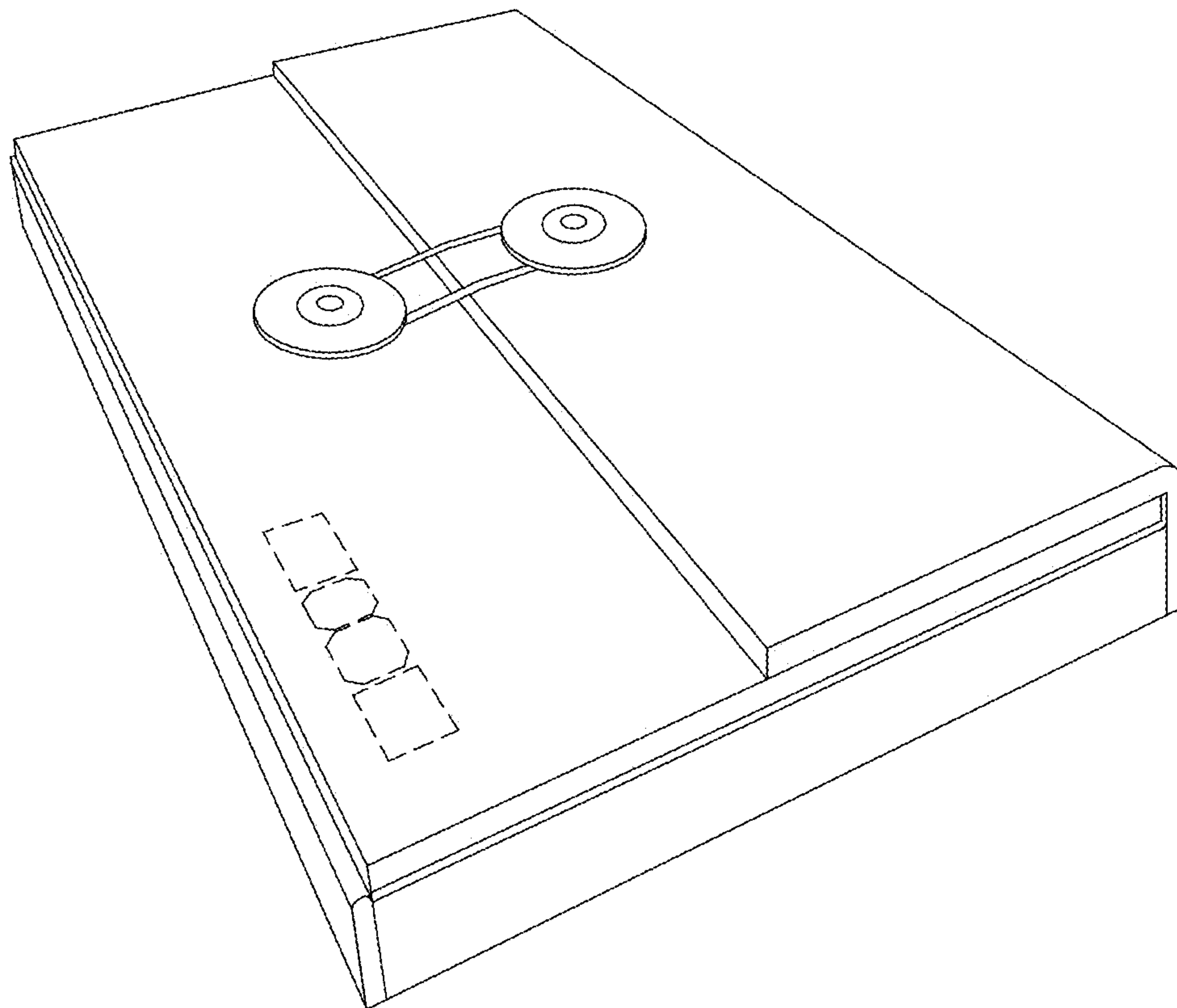


FIG. 1

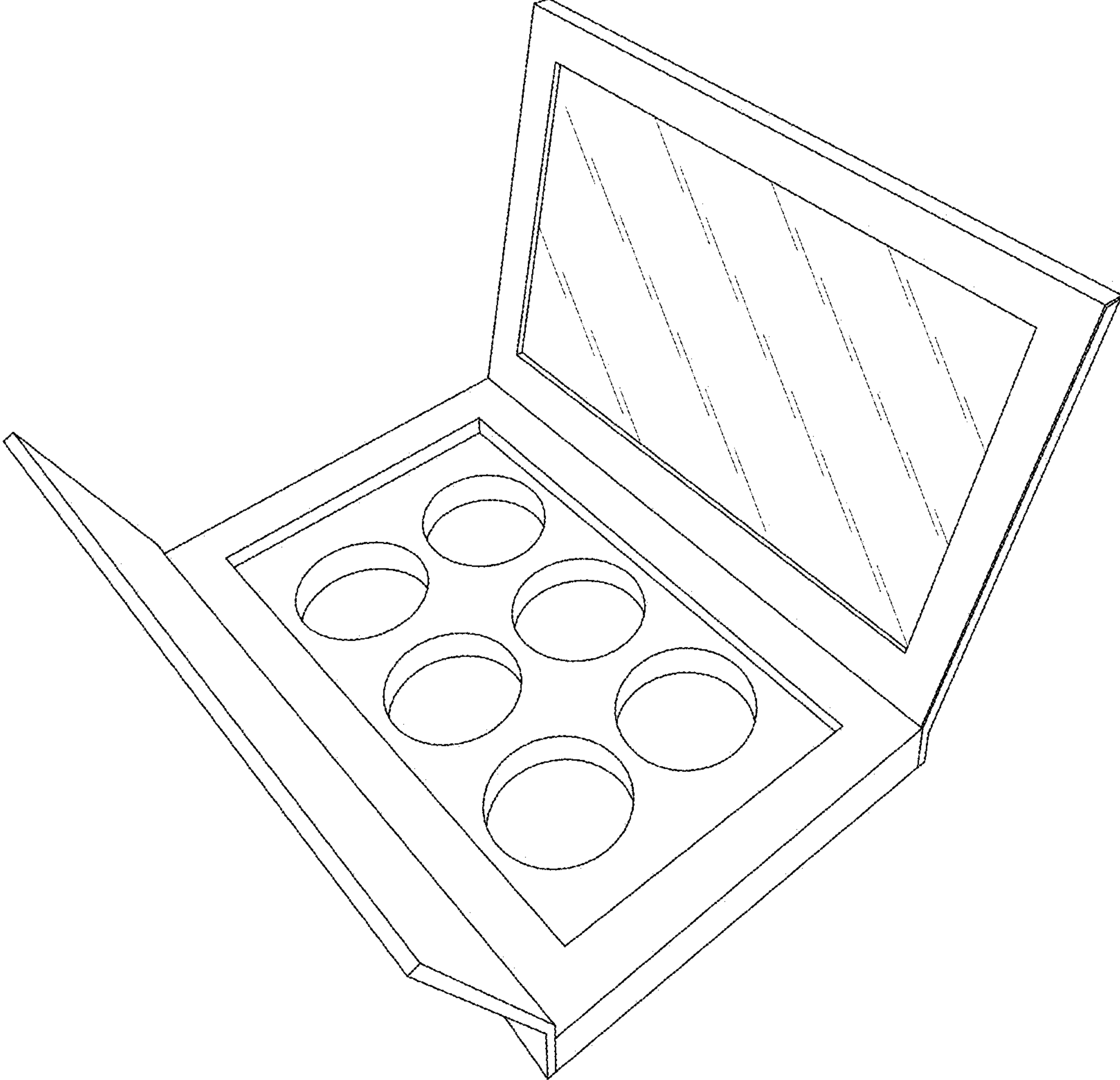


FIG. 2

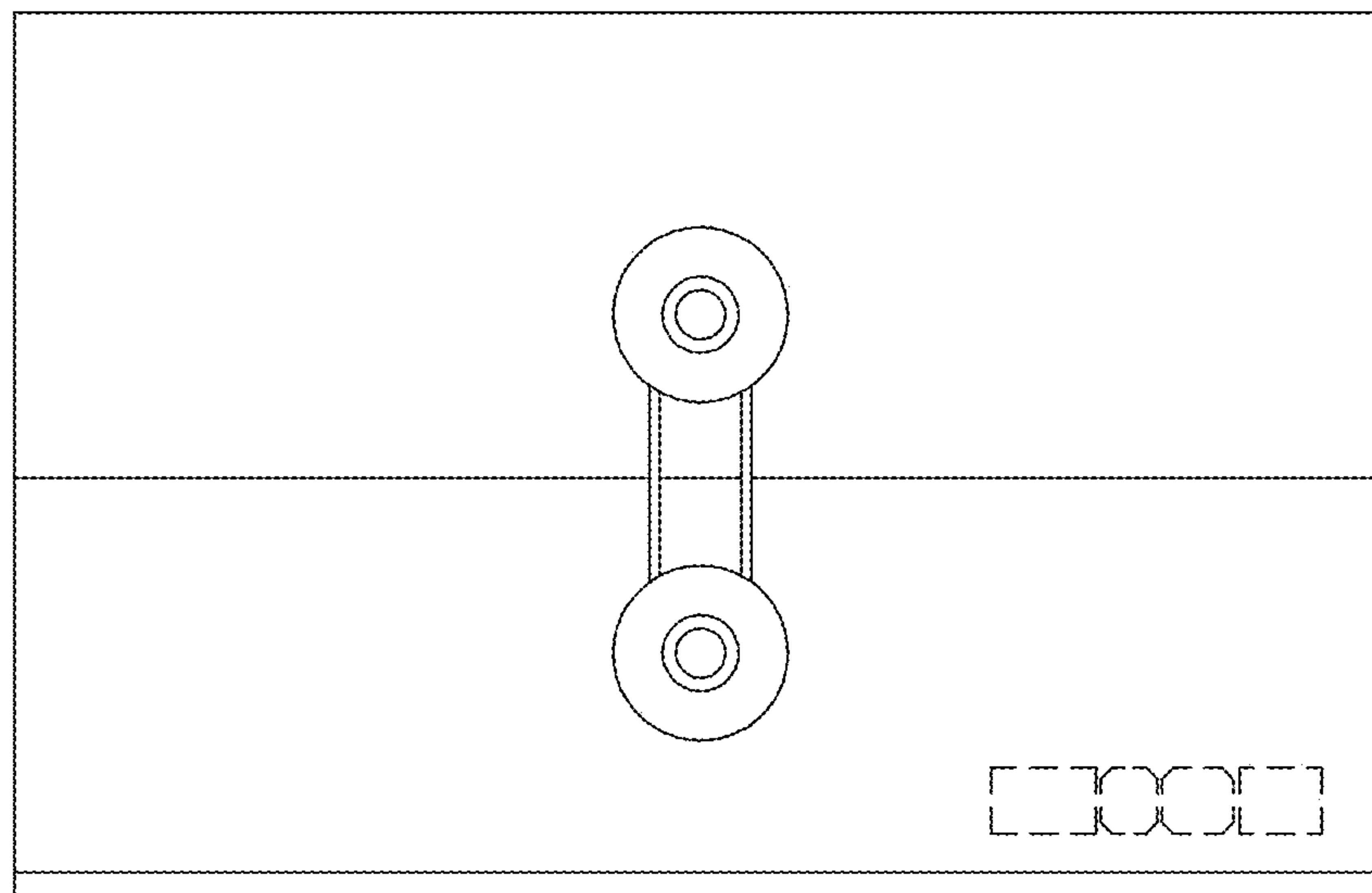


FIG. 3

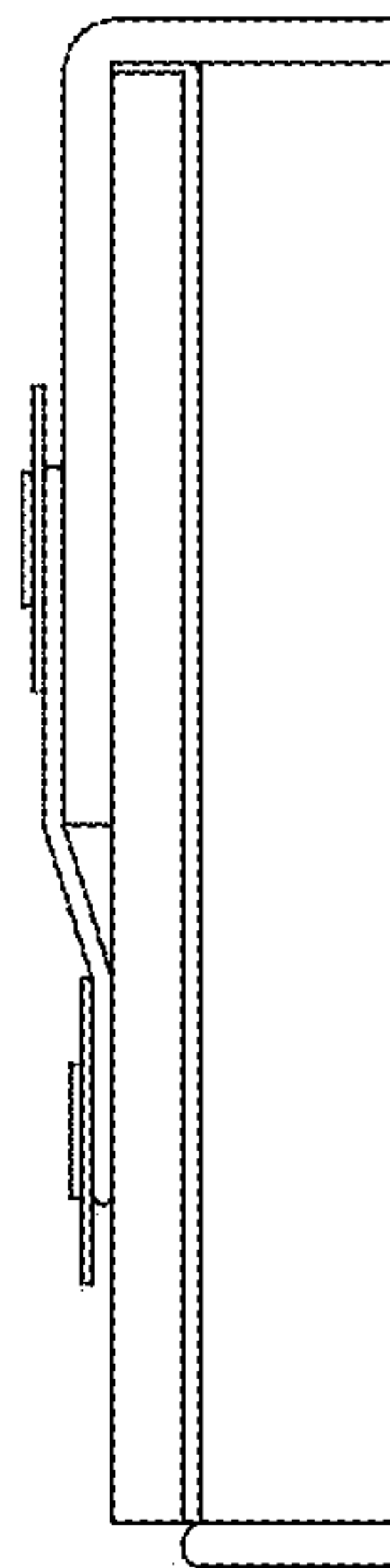


FIG. 4

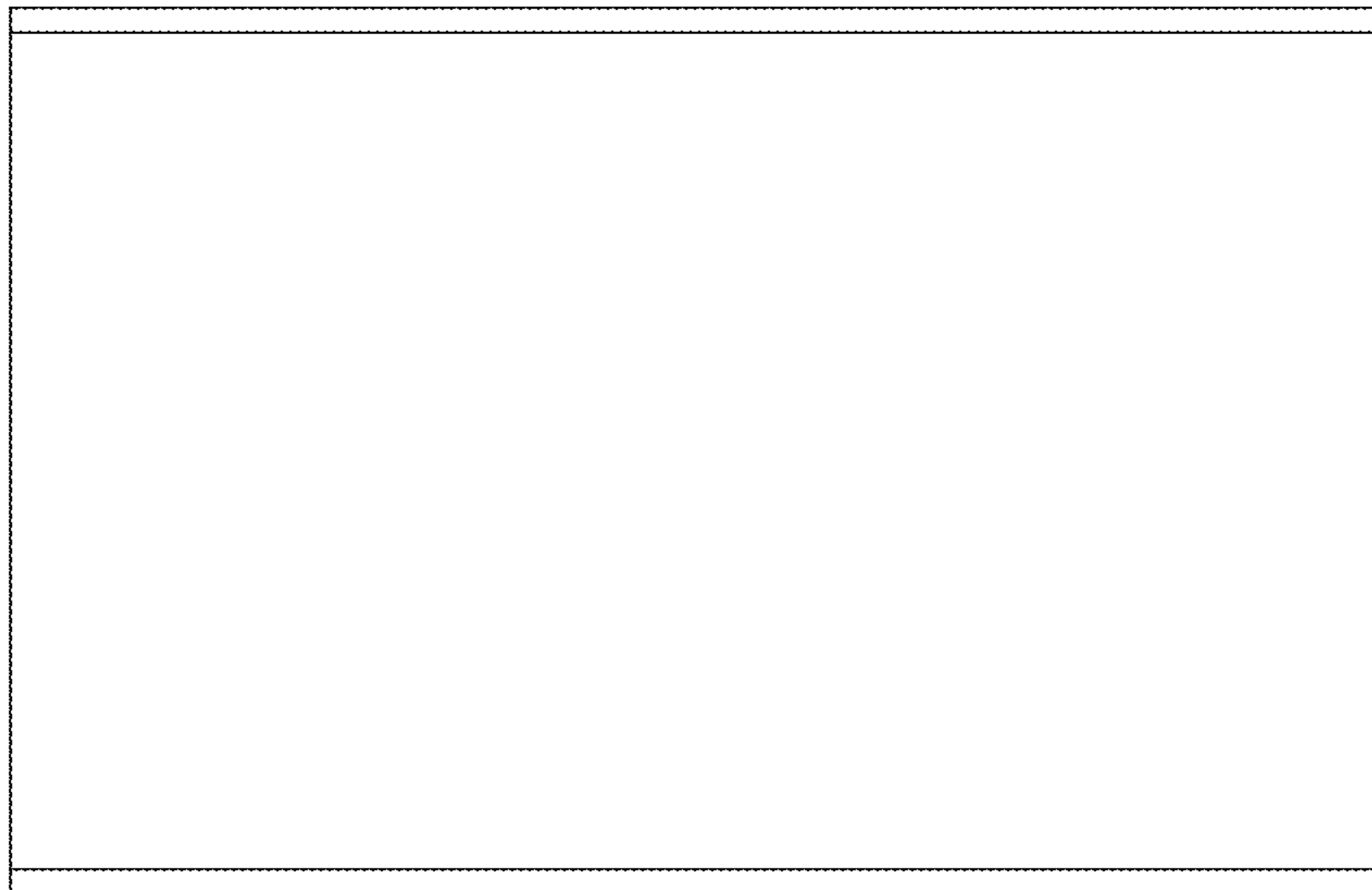


FIG. 5

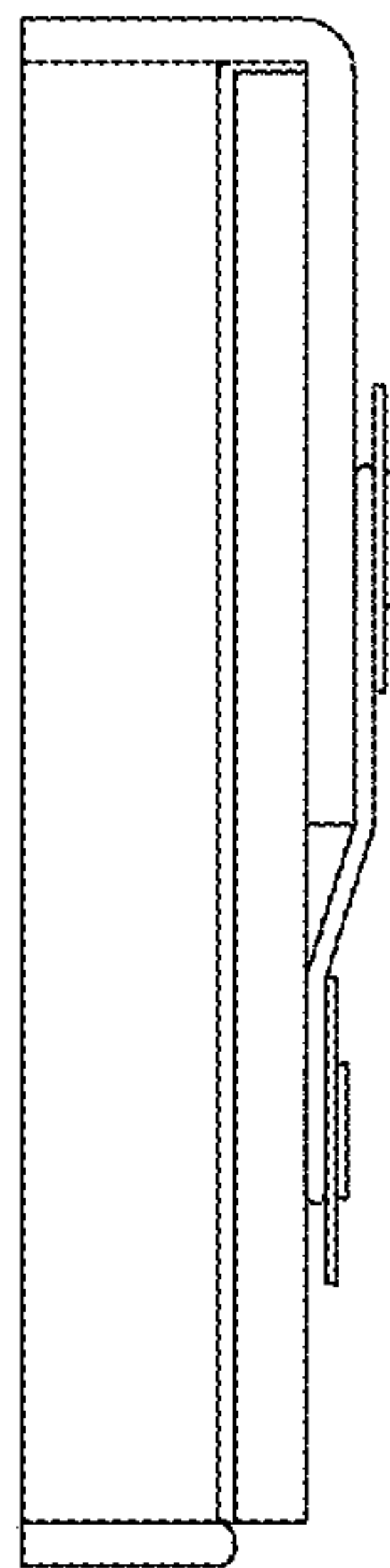


FIG. 6

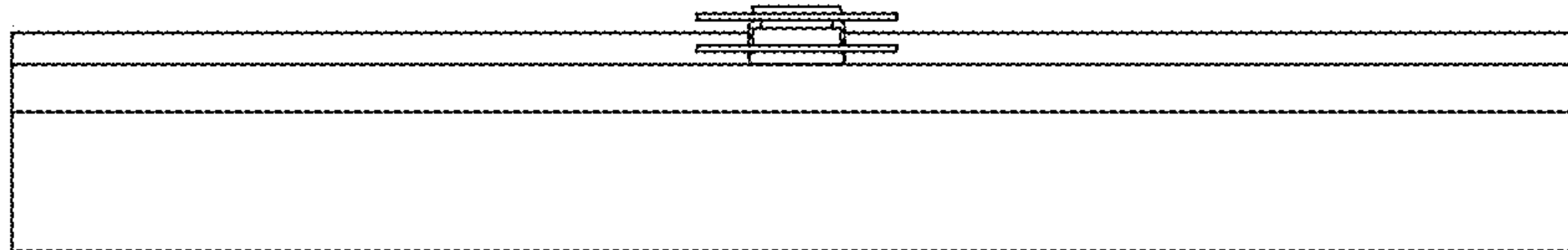


FIG. 7

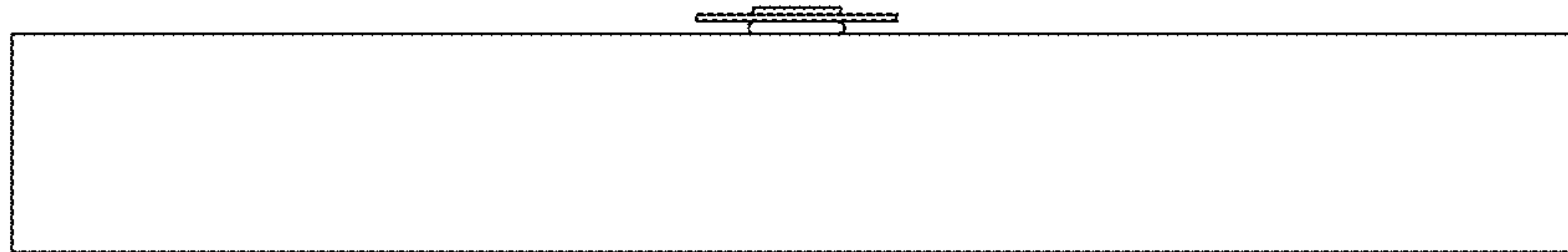


FIG. 8