



US00D900465S

(12) **United States Design Patent**
Harrington

(10) **Patent No.:** **US D900,465 S**

(45) **Date of Patent:** **** Nov. 3, 2020**

(54) **MEDICAL CADDY DEVICE**

(71) Applicant: **Liberty Harrington**, Arlington, TX
(US)

(72) Inventor: **Liberty Harrington**, Arlington, TX
(US)

(**) Term: **15 Years**

(21) Appl. No.: **29/688,189**

(22) Filed: **Apr. 18, 2019**

(51) **LOC (12) Cl.** **03-01**

(52) **U.S. Cl.**
USPC **D3/203.1**

(58) **Field of Classification Search**
USPC D3/201, 203.1, 203.6, 231, 303, 315,
D3/318, 319, 328
CPC A61G 7/0503; A61G 7/0507; A47C 7/62;
A47C 19/22; A47C 31/00; A47C 21/00;
F16M 13/02; F16M 13/00; H01H 9/025
See application file for complete search history.

(56) **References Cited**

U.S. PATENT DOCUMENTS

D233,025 S *	10/1974	Dague et al.	D12/422
D274,019 S *	5/1984	Stead	D3/201
D294,757 S *	3/1988	Kahane	D3/244
D306,520 S *	3/1990	McCarthy	D12/133
D324,810 S *	3/1992	Moye, Sr.	D3/218
D324,953 S *	3/1992	Swanner	D12/416
D329,836 S *	9/1992	Meyers	D12/421
D332,697 S *	1/1993	Schildkraut	D3/303
D333,580 S *	3/1993	Brummett	D3/218
D346,085 S *	4/1994	Wagner	D3/218
D350,866 S *	9/1994	Miller	D6/595
5,370,246 A *	12/1994	Traynor	A61G 5/10 132/312
D360,089 S *	7/1995	Crain, Jr.	D6/513

D362,748 S *	10/1995	Schildkraut	D3/20
D364,520 S *	11/1995	Mathews	D6/514
5,605,235 A *	2/1997	Johnson	F16M 13/00 211/26.1
D383,302 S *	9/1997	Broussard	D3/201
5,692,608 A *	12/1997	Simien	A47C 7/62 206/320
D392,613 S *	3/1998	Peters	D12/416
5,872,702 A *	2/1999	Kopel	H01H 9/025 174/535
D408,137 S *	4/1999	Leininger	D3/201
D420,510 S *	2/2000	Rotan	D3/201
D421,543 S *	3/2000	Rogman	D6/610

(Continued)

Primary Examiner — Steven J Czyz

(74) *Attorney, Agent, or Firm* — Law Office of Jeff
Williams PLLC; J. Oliver Williams

(57) **CLAIM**

The ornamental design for a medical caddy device, as shown and described.

DESCRIPTION

FIG. 1 is a perspective view of a medical caddy device according to the present application.

FIG. 2 is a front view of the medical caddy device of FIG. 1.

FIG. 3 is a rear view of the medical caddy device of FIG. 1.

FIG. 4 is a right view of the medical caddy device of FIG. 1.

FIG. 5 is a left view of the medical caddy device of FIG. 1.

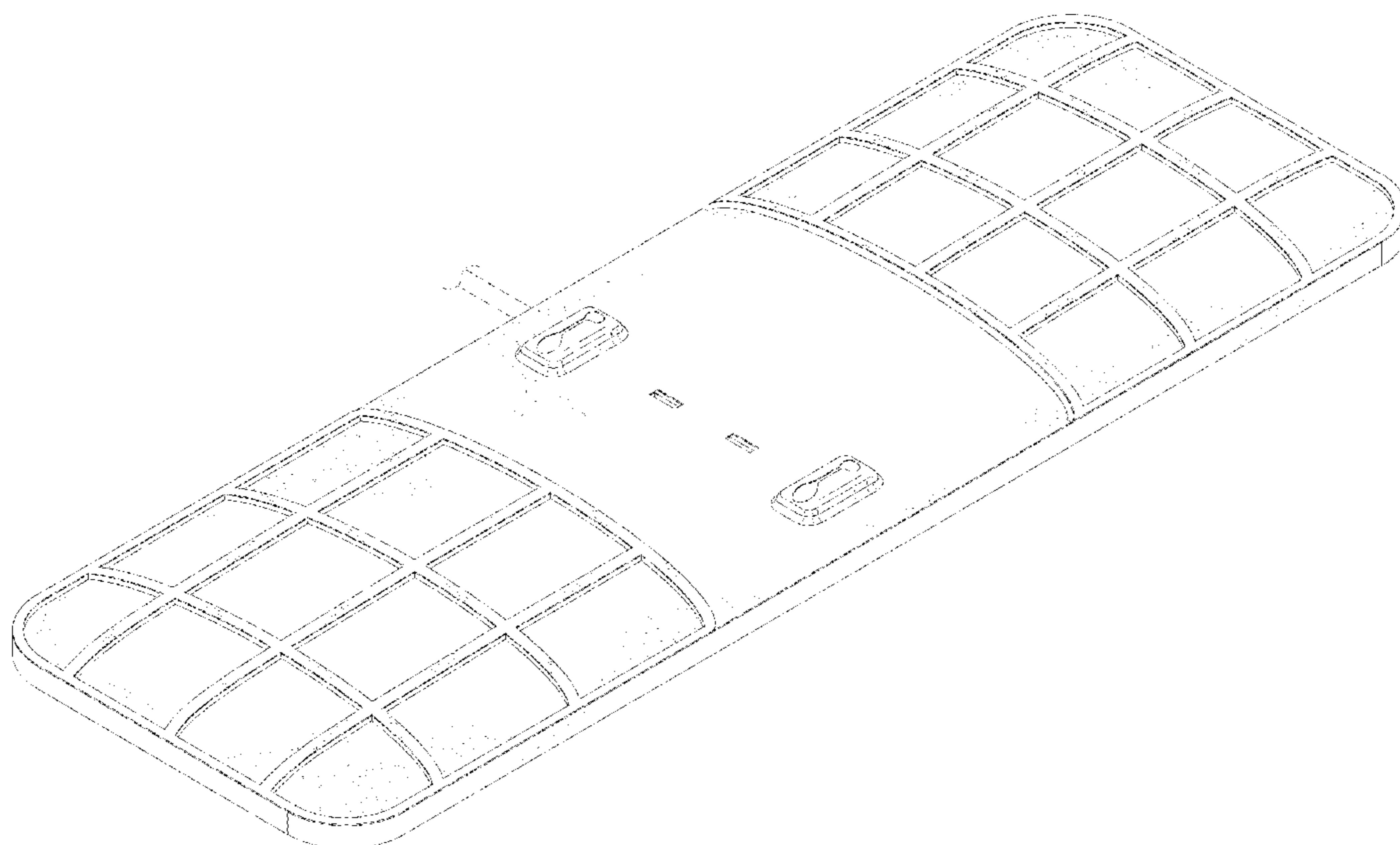
FIG. 6 is a top view of the medical caddy device of FIG. 1.

FIG. 7 is a bottom view of the medical caddy device of FIG. 1; and,

FIG. 8 is a perspective view of the medical caddy device shown in use with environment.

The broken lines depict portions of the article and environment that form no part of the claimed design.

1 Claim, 6 Drawing Sheets



(56)

References Cited

U.S. PATENT DOCUMENTS

D438,000 S * 2/2001 Couchon D3/201
 D459,877 S * 7/2002 Laprise D3/254
 D463,664 S * 10/2002 Borsuk D3/299
 D487,635 S * 3/2004 Collins D3/315
 D492,114 S * 6/2004 Sulier D3/315
 6,976,786 B1 * 12/2005 Stanley, Jr. A45C 9/00
 383/117
 7,040,484 B1 * 5/2006 Homra A61B 50/13
 206/363
 D543,349 S * 5/2007 Dunshee D3/203.5
 D544,203 S * 6/2007 Krohn D3/203.5
 7,284,791 B1 * 10/2007 Wright A47C 7/62
 206/320
 D564,217 S * 3/2008 Knox D3/203.1
 D565,293 S * 4/2008 Mize D3/231
 D572,006 S * 7/2008 Preston D3/303
 D596,890 S * 7/2009 Sulier D6/610
 7,866,493 B1 * 1/2011 Hurt A47B 96/16
 211/113
 D636,997 S * 5/2011 Devoe D12/133
 D639,092 S * 6/2011 Lundy D6/513
 D653,857 S * 2/2012 Pritchett D3/315
 D664,357 S * 7/2012 Kinskey D3/315

8,434,615 B2 * 5/2013 Balogh A45C 11/00
 206/349
 D689,282 S * 9/2013 Lindeman D3/231
 D693,595 S * 11/2013 Pierre-Pipkin D6/513
 D710,105 S * 8/2014 Hondos D3/303
 D711,106 S * 8/2014 Davidson D3/303
 D713,643 S * 9/2014 Adinolfi, Sr. D3/303
 8,844,717 B1 * 9/2014 Ross B25H 3/00
 182/129
 D715,534 S * 10/2014 Reaux D3/203.1
 D728,937 S * 5/2015 Fridley D3/303
 9,095,222 B2 * 8/2015 Asaf A47C 21/00
 D739,985 S * 9/2015 Mantelli D3/231
 D765,401 S * 9/2016 San Martin D3/315
 D790,258 S * 6/2017 McNair D6/610
 D793,715 S * 8/2017 Mean D3/203.1
 D817,020 S * 5/2018 Polifroni D6/513
 10,264,892 B1 * 4/2019 Sosa A47C 7/62
 2002/0018601 A1 * 2/2002 Nelson B65D 33/14
 383/7
 2010/0122413 A1 * 5/2010 McNair A47C 31/00
 5/485
 2013/0152946 A1 * 6/2013 Sosnowski A61B 46/23
 128/852
 2013/0305451 A1 * 11/2013 Asaf A61G 7/0522
 5/503.1

* cited by examiner

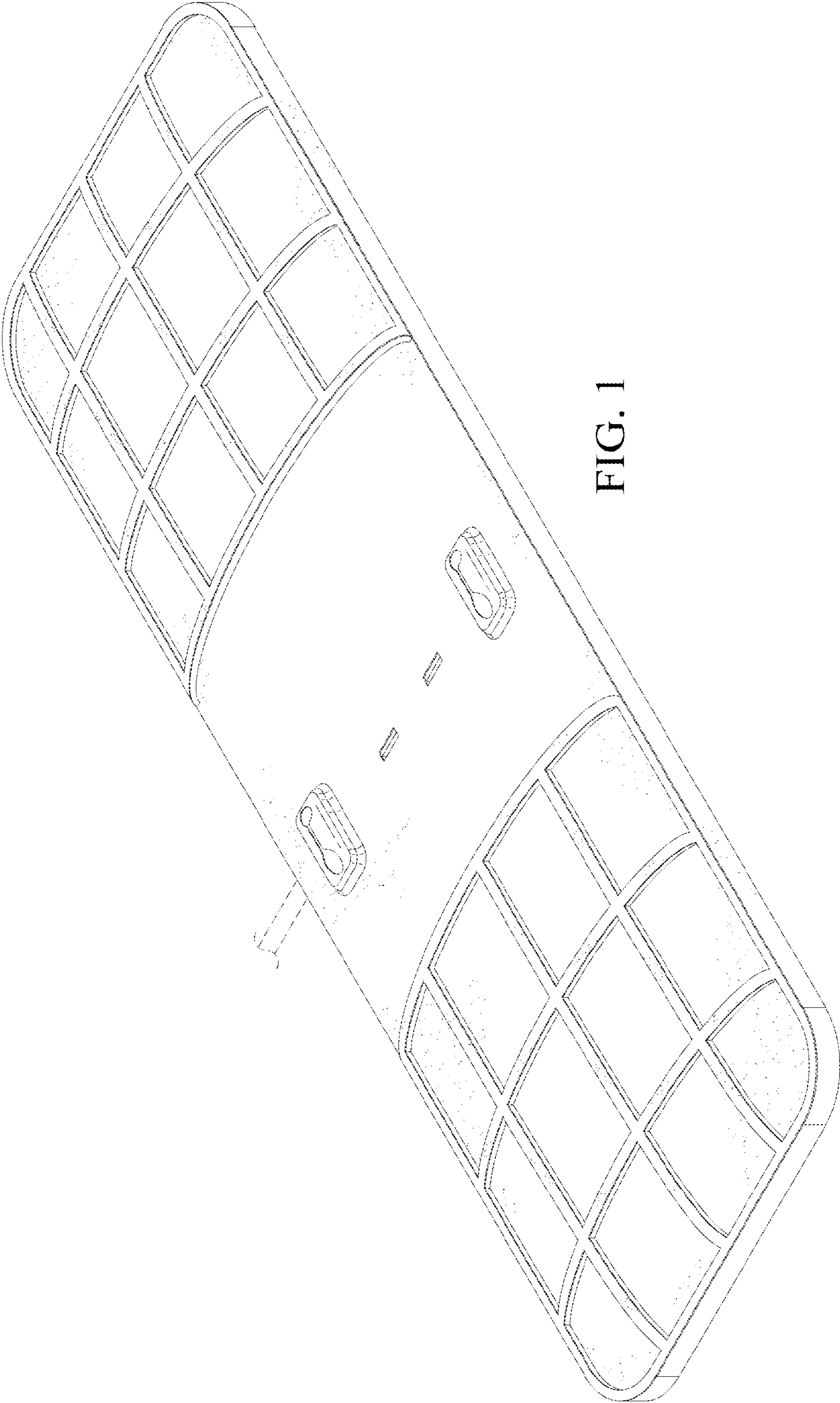


FIG. 1

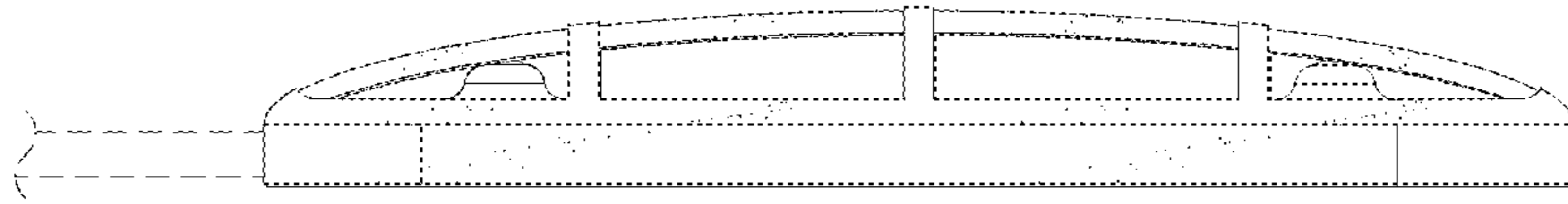


FIG. 2

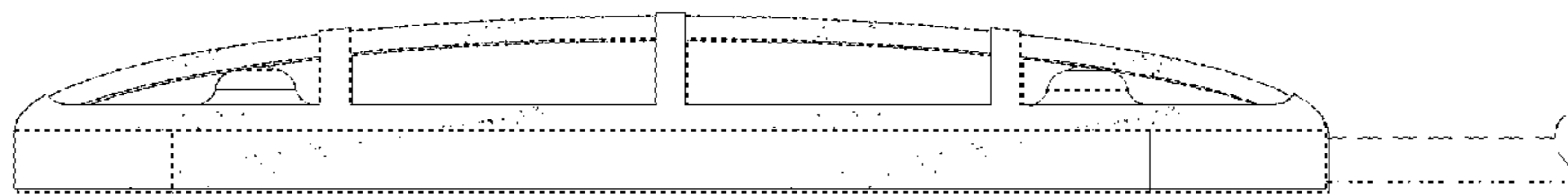


FIG. 3

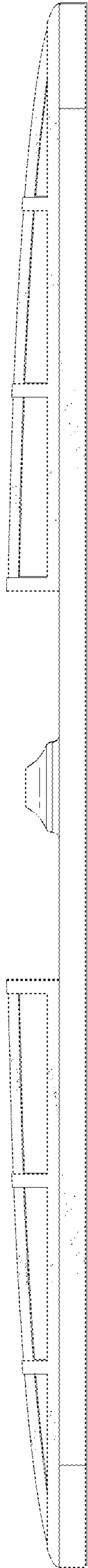


FIG. 4

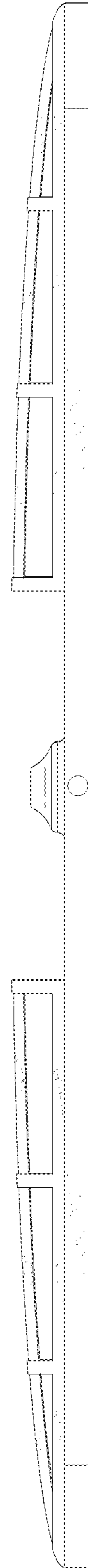


FIG. 5

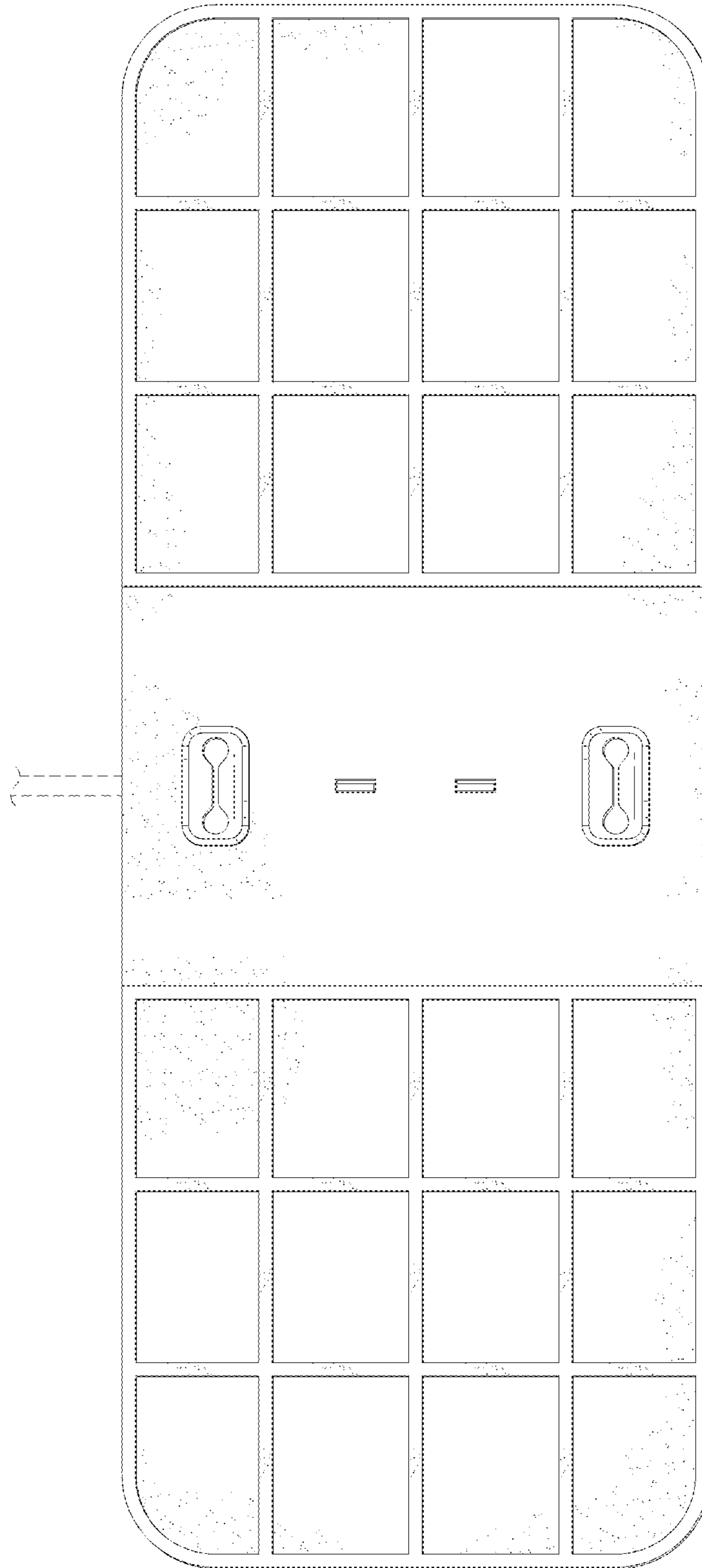


FIG. 6

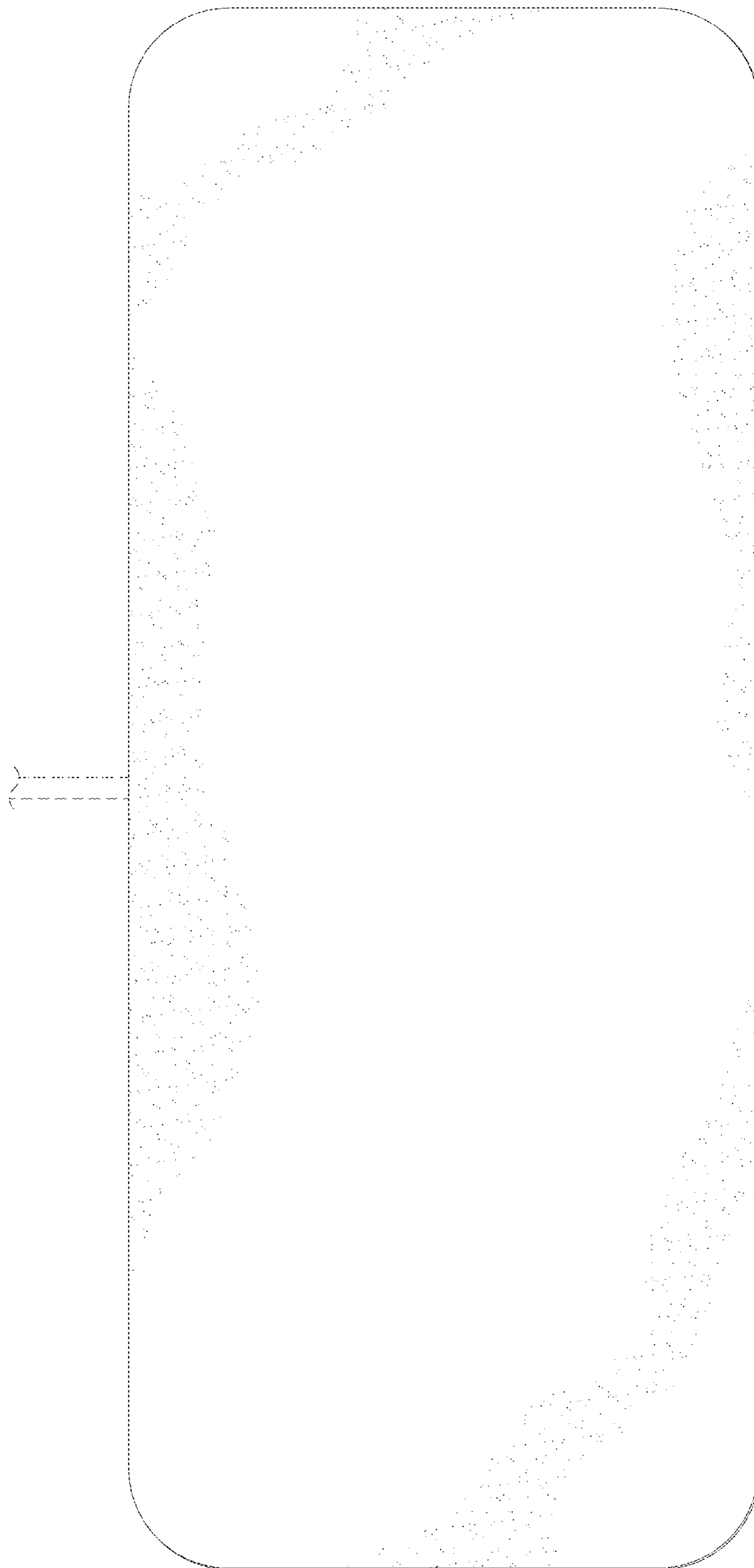


FIG. 7

