



US00D900464S

(12) **United States Design Patent**  
**Inouye**

(10) **Patent No.:** **US D900,464 S**  
(45) **Date of Patent:** **\*\* Nov. 3, 2020**

- (54) **ROLL-ON UMBRELLA STAND**
- (71) Applicant: **Don Tetsuro Inouye**, Honolulu, HI (US)
- (72) Inventor: **Don Tetsuro Inouye**, Honolulu, HI (US)
- (\*\*) Term: **15 Years**
- (21) Appl. No.: **29/733,141**
- (22) Filed: **Apr. 29, 2020**

**Related U.S. Application Data**

- (63) Continuation-in-part of application No. 29/722,166, filed on Jan. 27, 2020, now Pat. No. Des. 891,753, and a continuation of application No. 15/980,673, filed on May 15, 2018, now abandoned.
- (51) **LOC (12) Cl.** ..... **03-03**
- (52) **U.S. Cl.**  
USPC ..... **D3/10**
- (58) **Field of Classification Search**  
USPC ..... D3/5, 10, 17, 328; D6/681, 681.1, 682, D6/682.5, 708.16, 718.11, 718.12; D8/376; D12/400, 406, 163, 223  
CPC ... A45B 11/00; A45B 23/00; A45B 2023/025; E04H 12/22; E04H 12/2238; E04H 12/2269; E04H 12/2276  
See application file for complete search history.

(56) **References Cited**

**U.S. PATENT DOCUMENTS**

- D309,065 S \* 7/1990 Huff ..... D12/400
- 5,295,500 A \* 3/1994 Leu ..... E04H 12/2238  
135/114
- 5,850,843 A \* 12/1998 Mahood ..... A45B 23/00  
135/88.06
- 5,881,978 A \* 3/1999 Rust ..... E04H 12/2215  
109/52
- 5,911,399 A \* 6/1999 Mannion ..... E04H 12/2238  
135/88.06
- D414,053 S \* 9/1999 Ordelman ..... D3/10

- 6,082,269 A \* 7/2000 Padberg ..... B60R 9/06  
108/44
- 6,089,246 A \* 7/2000 Barnes ..... A45B 11/00  
135/117
- D429,921 S \* 8/2000 Allanson ..... D6/681.1  
(Continued)

**OTHER PUBLICATIONS**

Boone Flag Stand, GameDay Tailgating Drive-Up Flag Pole Base with Bumper Protector Item # 79081, Review date of Jan. 21, 2013, etrailer.com, [https://www.etrailer.com/Patio-Accessories/Boone-Outdoor/79081.html?feed=npn&gclid=EALalQobChM1vJbZ1-b86QIVYeW1Ch0upQt5EAkYAyABEgl4wPD\\_BwE#exp-productdetails=.](https://www.etrailer.com/Patio-Accessories/Boone-Outdoor/79081.html?feed=npn&gclid=EALalQobChM1vJbZ1-b86QIVYeW1Ch0upQt5EAkYAyABEgl4wPD_BwE#exp-productdetails=.)\*

*Primary Examiner* — Steven J Czyz  
(74) *Attorney, Agent, or Firm* — Seth M. Reiss, AAL, ALLLC

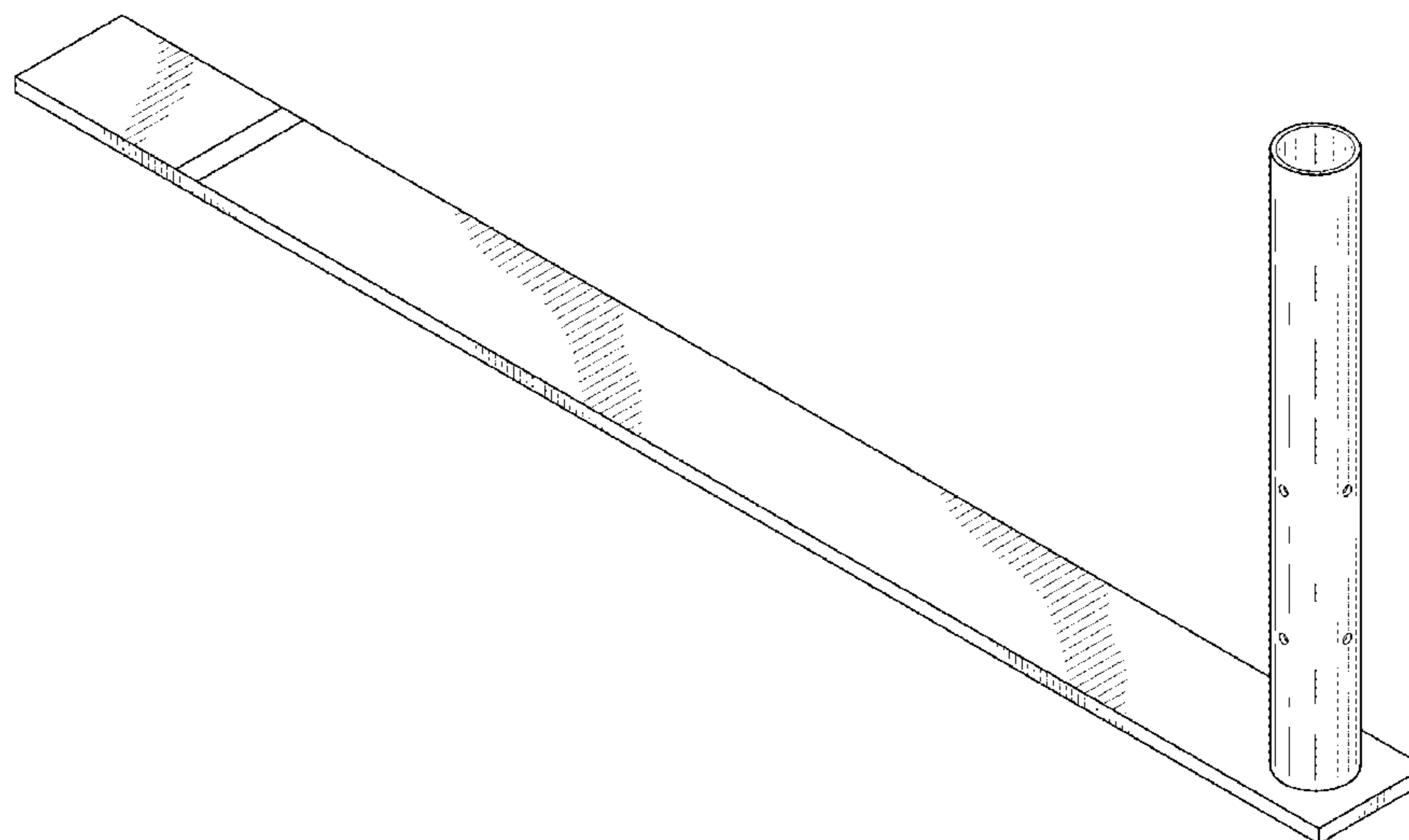
(57) **CLAIM**

I claim the ornamental design for a roll-on umbrella stand, substantially as shown and described.

**DESCRIPTION**

FIG. 1 is a top perspective view of a roll-on umbrella stand; FIG. 2 is a bottom perspective view of the roll-on umbrella stand; FIG. 3 is a top plan view of the umbrella stand; FIG. 4 is a bottom plan view of the roll-on umbrella stand shown with environment; FIG. 5 is a right side view of the umbrella stand; FIG. 6 is a left side view of the roll-on umbrella stand shown with environment; FIG. 7 is a front view of the roll-on umbrella stand; and, FIG. 8 is a rear view of the roll-on umbrella stand shown with environment. The broken lines shown depict environment that form no part of the claimed design.

**1 Claim, 6 Drawing Sheets**



(56)

References Cited

U.S. PATENT DOCUMENTS

6,189,458 B1 \* 2/2001 Rivera ..... B60N 3/001  
108/150  
D439,559 S \* 3/2001 Caro ..... D12/400  
D445,395 S \* 7/2001 Okerlund ..... D12/400  
6,305,394 B1 \* 10/2001 Reese ..... A45B 11/00  
135/20.1  
6,722,380 B1 \* 4/2004 Hafer ..... B60R 9/06  
135/16  
7,264,218 B1 \* 9/2007 Edwards ..... F16M 11/16  
135/16  
7,334,593 B2 \* 2/2008 Avery ..... A45B 1/00  
108/50.12  
D621,148 S \* 8/2010 Brady ..... D3/10  
8,123,190 B2 \* 2/2012 Kost ..... A45B 11/00  
135/88.08  
D655,531 S \* 3/2012 Gharst ..... D3/10  
8,776,811 B2 \* 7/2014 Griffith ..... A45B 11/00  
135/114  
D736,016 S \* 8/2015 Gelissen ..... D6/682  
9,127,476 B2 9/2015 Cornew

D757,421 S \* 5/2016 Chaloux ..... D3/10  
D770,758 S \* 11/2016 Chaloux ..... D3/10  
9,493,962 B2 \* 11/2016 Eddy ..... E04H 12/2261  
D785,380 S \* 5/2017 King ..... D6/681  
D796,416 S \* 9/2017 Spafford ..... D12/400  
D801,908 S \* 11/2017 De Los Santos ..... D12/223  
D806,800 S \* 1/2018 Denby ..... D20/41  
D822,980 S \* 7/2018 Schaefer ..... D3/10  
D834,806 S \* 12/2018 Spafford ..... D3/10  
D846,481 S \* 4/2019 Turner ..... D12/400  
D850,780 S \* 6/2019 Bird ..... D3/10  
10,337,203 B1 \* 7/2019 Tomsky ..... E04H 15/28  
2005/0241546 A1 \* 11/2005 Royse ..... A47B 37/04  
108/44  
2006/0162622 A1 \* 7/2006 Fisher ..... A47B 37/04  
108/44  
2006/0254635 A1 \* 11/2006 Matheus ..... E04H 6/04  
135/88.05  
2008/0017226 A1 \* 1/2008 Nobert ..... E04H 12/2269  
135/16  
2013/0153737 A1 \* 6/2013 Zoeteman ..... A45B 11/00  
248/513

\* cited by examiner

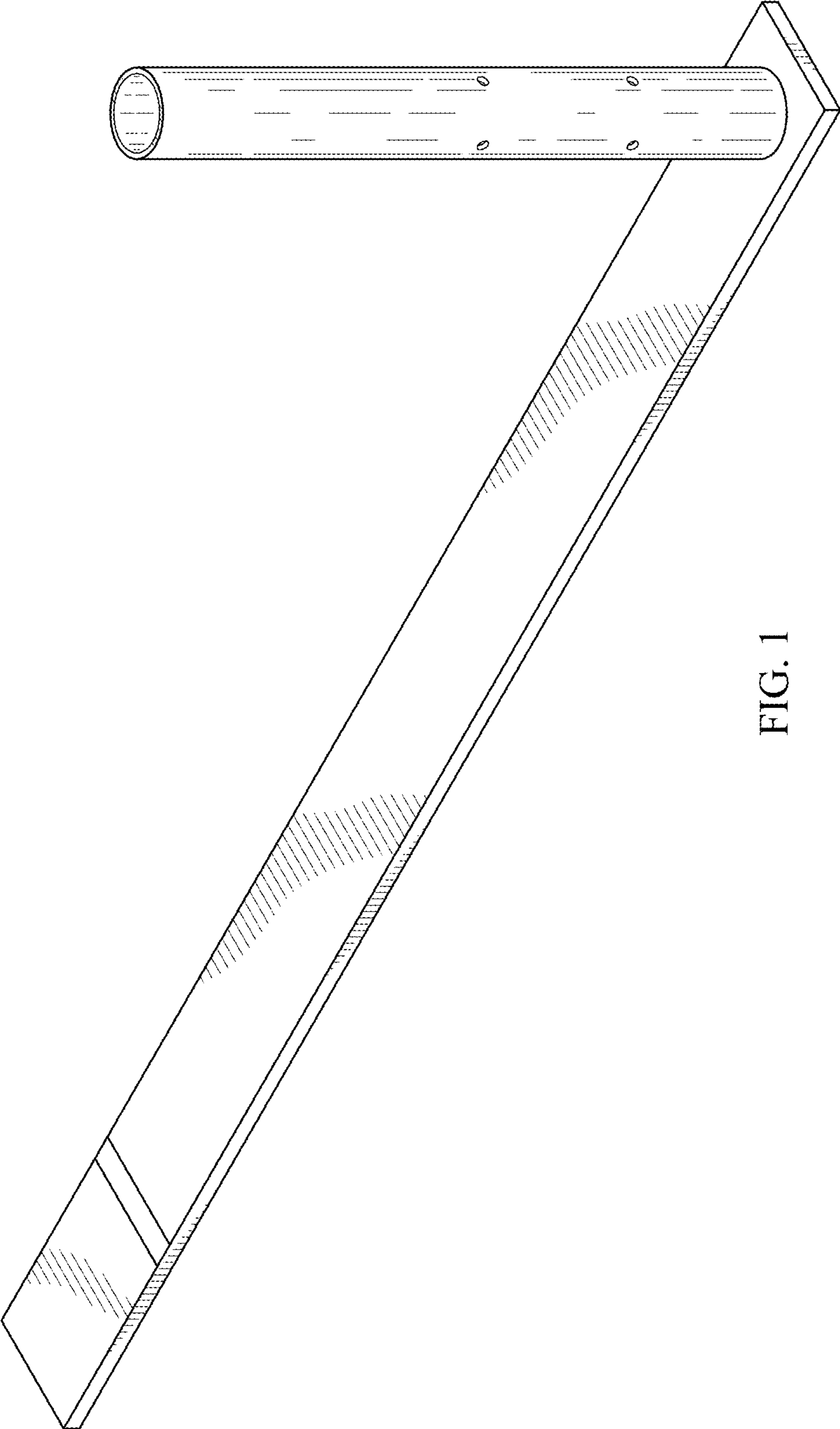


FIG. 1

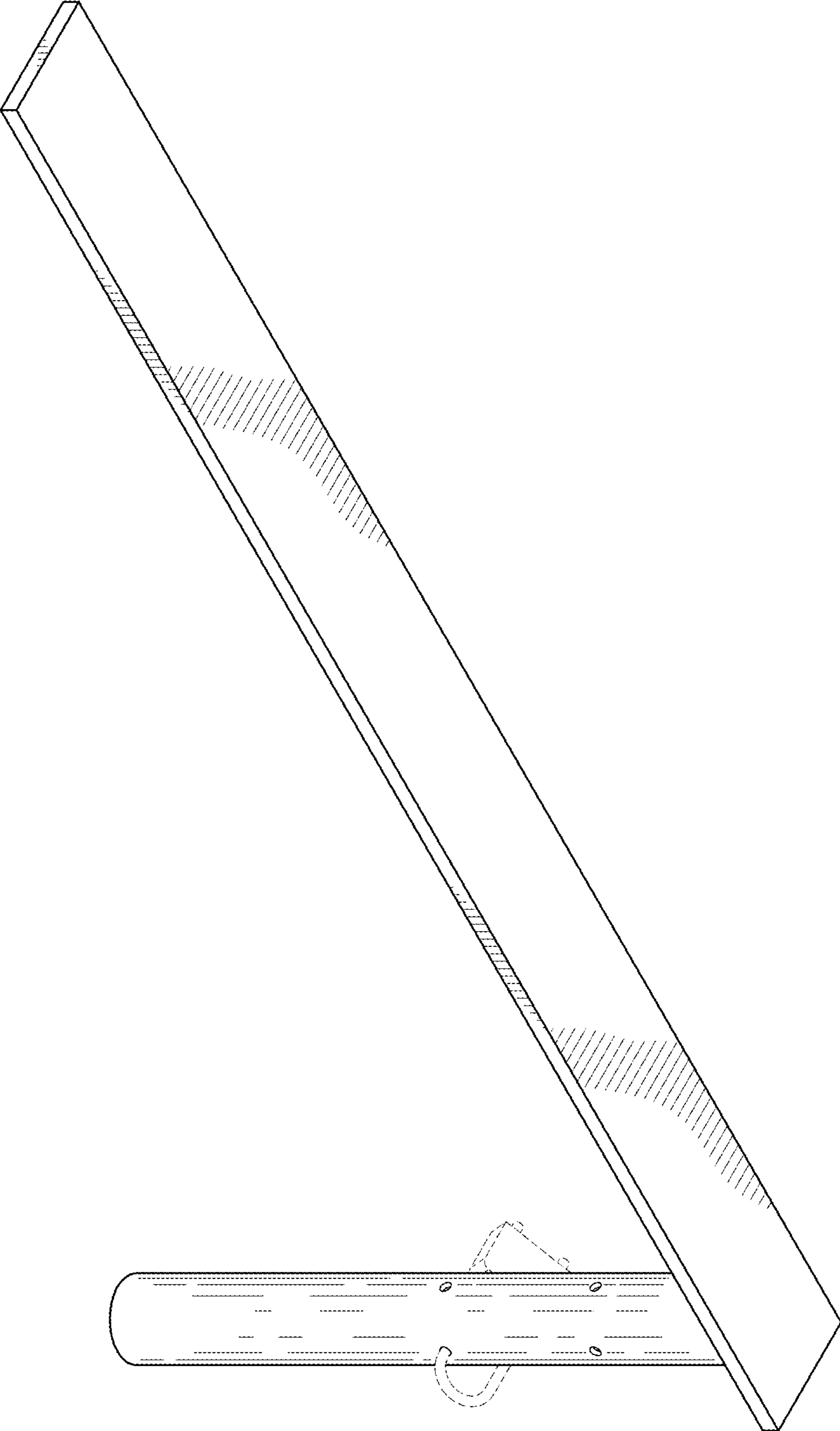


FIG. 2

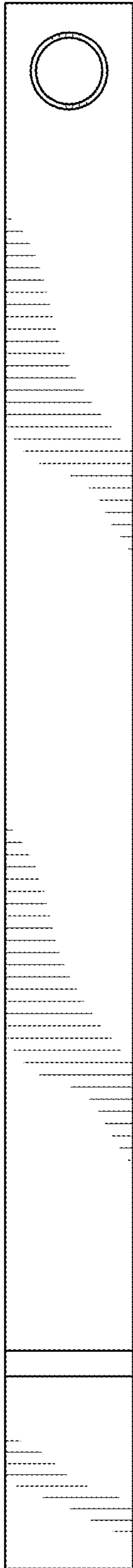


FIG. 3



FIG. 4

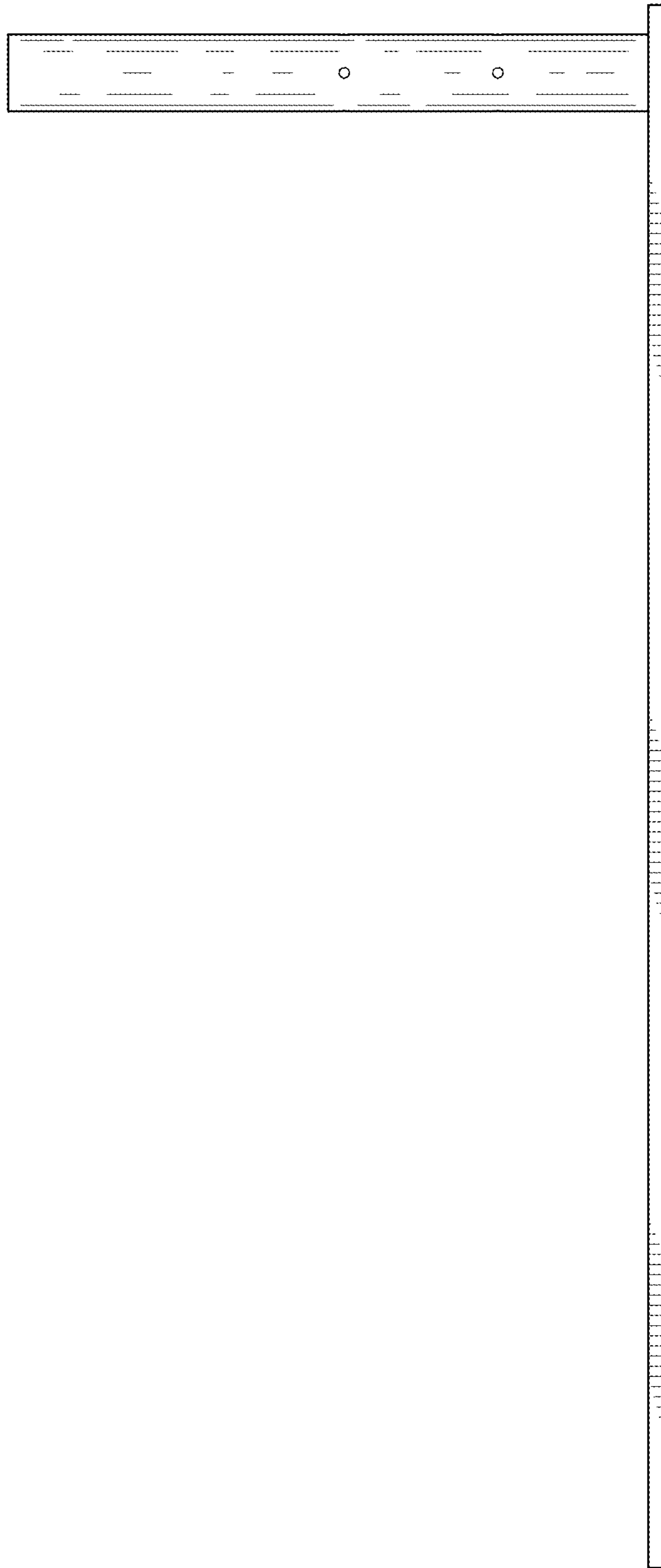


FIG. 5

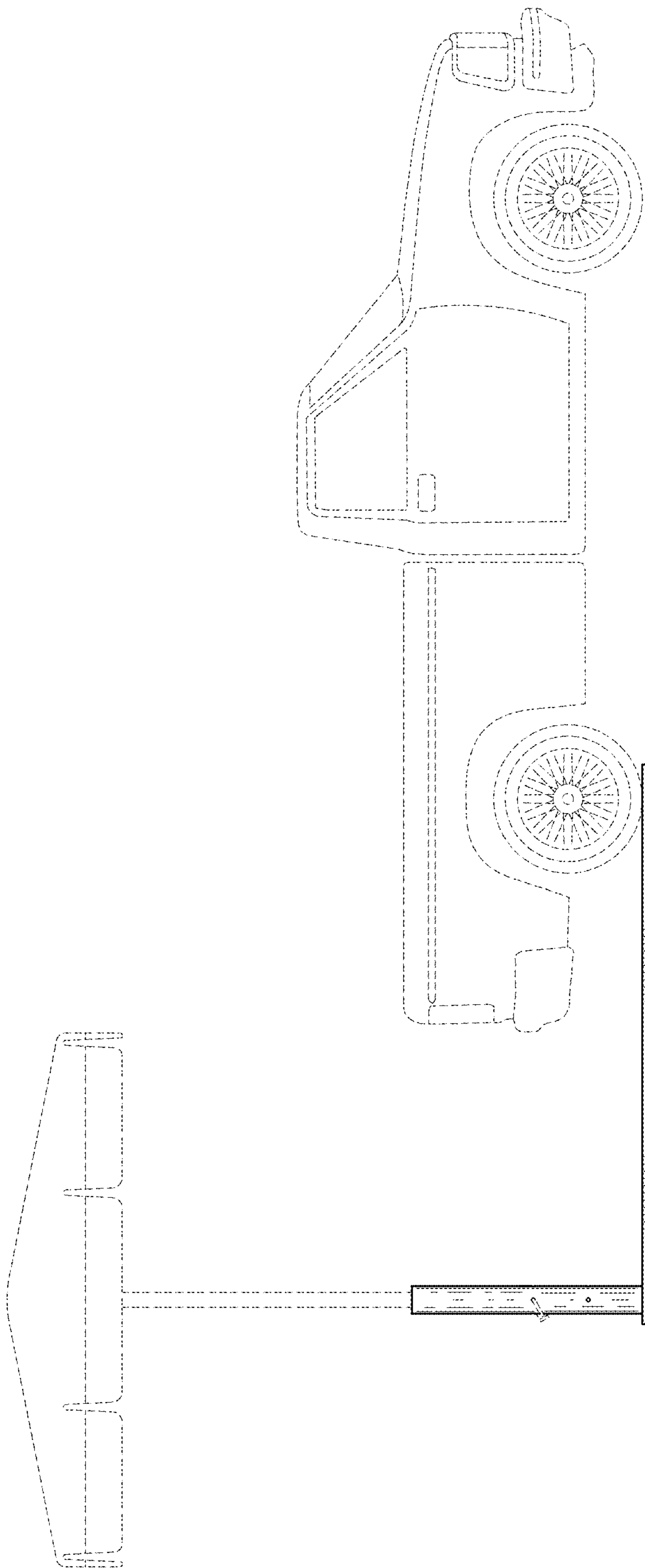


FIG. 6

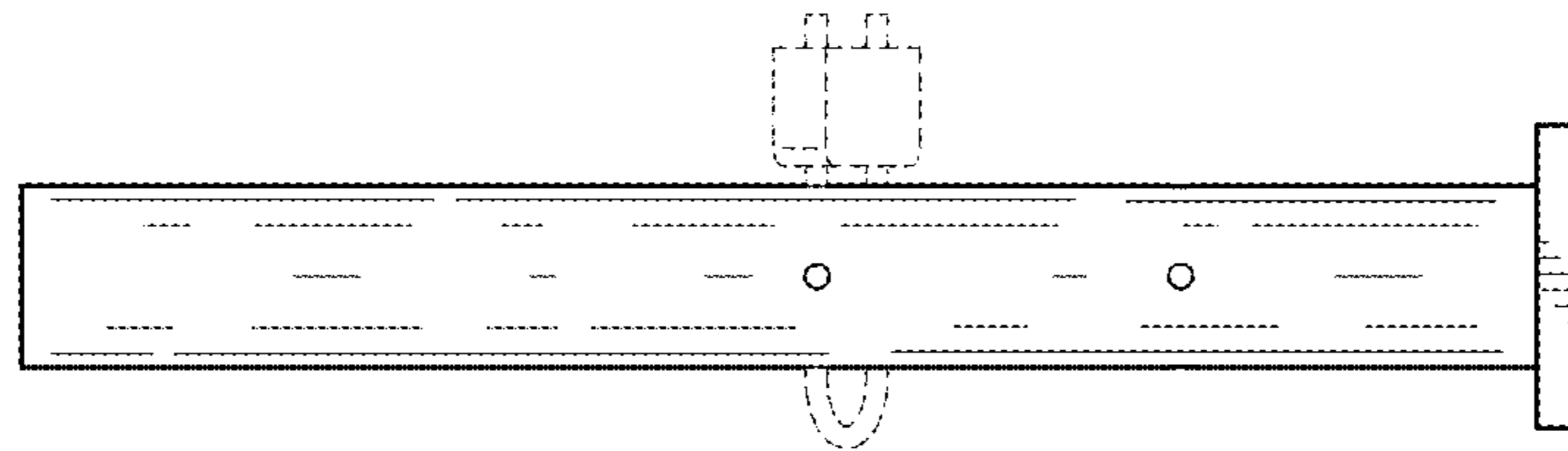


FIG. 8

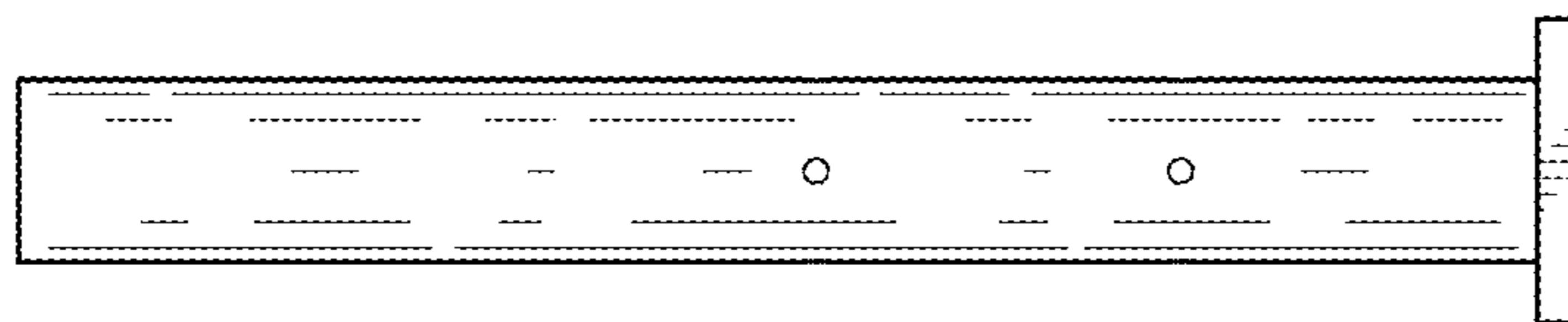


FIG. 7