



US00D900440S

(12) **United States Design Patent**
Ernst

(10) **Patent No.:** **US D900,440 S**

(45) **Date of Patent:** **** Nov. 3, 2020**

- (54) **SHOE**
- (71) Applicant: **PUMA SE**, Herzogenaurach (DE)
- (72) Inventor: **Cornelia Ernst**, Nuremberg (DE)
- (73) Assignee: **PUMA SE**, Herzogenaurach (DE)
- (**) Term: **15 Years**

- D236,560 S 9/1975 Senter
- D237,425 S 11/1975 Askew
- D237,427 S 11/1975 Thornberry
- D238,626 S 2/1976 Senter
- D238,983 S 3/1976 Senter
- D239,478 S 4/1976 Senter
- D239,479 S 4/1976 Senter
- D239,983 S 5/1976 Senter
- D240,470 S 7/1976 Ford

(Continued)

- (21) Appl. No.: **29/677,296**
- (22) Filed: **Jan. 18, 2019**
- (51) **LOC (12) Cl.** **02-04**
- (52) **U.S. Cl.**
USPC **D2/947**
- (58) **Field of Classification Search**
USPC D2/902, 906, 908, 916, 918, 925,
D2/946-962, 977; 36/3 B, 22 R, 24.5,
36/25 R, 28, 32 R, 34 R, 59 C, 67 A, 103
CPC A43B 13/00; A43B 13/02; A43B 13/023;
A43B 13/026; A43B 13/04; A43B 13/08;
A43B 13/10; A43B 13/121; A43B 13/14;
A43B 13/141; A43B 13/143; A43B
13/16; A43B 13/18; A43B 13/181; A43B
13/187; A43B 13/189; A43B 13/20; A43B
13/22; A43B 13/223; A43B 13/24; A43B
13/28; A43B 13/30; A43B 13/32; A43B
13/34; A43B 13/36
See application file for complete search history.

(56) **References Cited**

U.S. PATENT DOCUMENTS

- D116,635 S 9/1939 Stuart
- D133,176 S 7/1942 Gregg
- 2,405,498 A 8/1946 Gregg
- D173,700 S 12/1954 Hosker
- D226,883 S 5/1973 Babicka
- D226,885 S 5/1973 McBarron
- D236,559 S 9/1975 Senter

OTHER PUBLICATIONS

“Ashish x Underground,” Dazed, dated Jun. 10, 2011, accessed on Mar. 12, 2019, <<http://www.dazeddigital.com/fashion/article/10575/1/ashish-x-underground>>, 7 pages.

(Continued)

Primary Examiner — T Chase Nelson

(74) *Attorney, Agent, or Firm* — Quarles & Brady LLP

(57) **CLAIM**

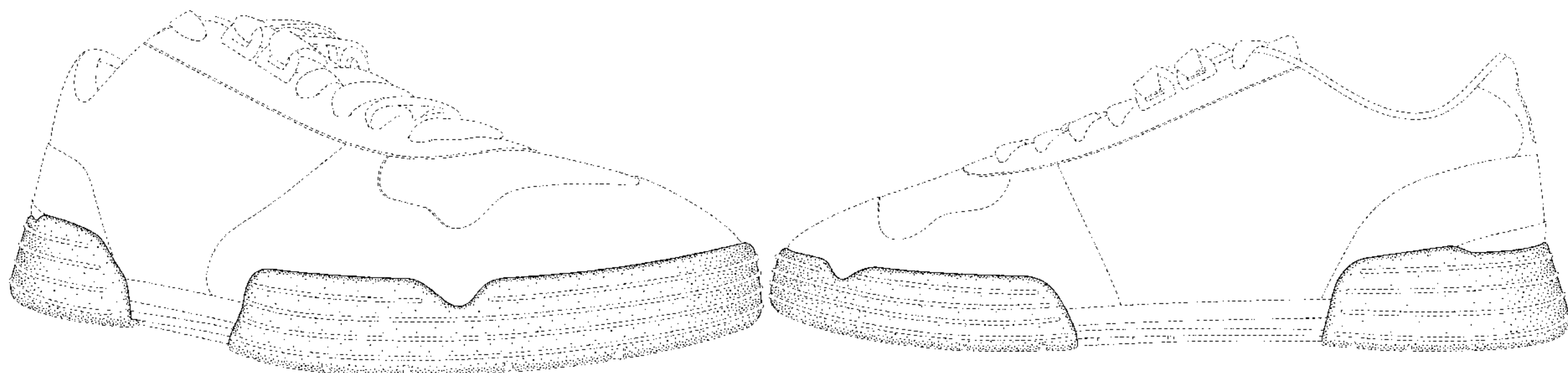
The ornamental design for a shoe, as shown and described.

DESCRIPTION

FIG. 1 is a top, right, and front perspective view of an ornamental design for a shoe;
FIG. 2 is a front elevational view of the shoe of FIG. 1;
FIG. 3 is a rear elevational view of the shoe of FIG. 1;
FIG. 4 is a right side elevational view of the shoe of FIG. 1;
FIG. 5 is a left side elevational view of the shoe of FIG. 1;
FIG. 6 is a top plan view of the shoe of FIG. 1; and,
FIG. 7 is a bottom plan view of the shoe of FIG. 1.

The dash-dash-dash broken lines are included for the purpose of illustrating portions of the shoe that form no part of the claimed design. The broken lines immediately adjacent to the shaded areas define the bounds of the claimed design and form no part thereof.

1 Claim, 6 Drawing Sheets



(56)

References Cited

U.S. PATENT DOCUMENTS

D242,401 S	11/1976	Wunsch		D681,315 S	5/2013	Della Valle et al.	
D243,421 S	2/1977	Cohen		D681,316 S	5/2013	Della Valle et al.	
D245,211 S	8/1977	Krome		D681,317 S	5/2013	Della Valle et al.	
D249,748 S	10/1978	Kitamura		D682,515 S	5/2013	Della Valle et al.	
4,137,653 A	2/1979	Famolare, Jr.		D683,526 S	6/2013	Day, Jr.	
D265,015 S	6/1982	Higgins		D683,937 S	6/2013	Raysse	
D278,093 S	3/1985	Ueda		D686,805 S	7/2013	Day, Jr.	
D281,457 S	11/1985	Po		8,474,153 B2 *	7/2013	Brie	A43B 3/16 36/103
D297,185 S	8/1988	Berzak		D689,673 S	9/2013	Kampf	
4,890,398 A	1/1990	Thomasson		D689,674 S	9/2013	Kampf	
D315,440 S	3/1991	Hegy		D690,088 S	9/2013	Hardman	
D317,076 S	5/1991	Skinner		D691,786 S	10/2013	Weitzman	
D324,293 S	3/1992	Rogers		D694,498 S	12/2013	Carboy	
D329,529 S	9/1992	Hatfield		D699,423 S	2/2014	Della Valle et al.	
D331,143 S	11/1992	McDonald		D700,419 S	3/2014	Della Valle et al.	
D332,688 S	1/1993	Autry		D701,023 S	3/2014	Della Valle et al.	
D338,326 S	8/1993	Dolinsky		D701,373 S	3/2014	Della Valle et al.	
D342,377 S	12/1993	Smith		D702,423 S	4/2014	Della Valle et al.	
5,488,786 A	2/1996	Ratay		D706,524 S	6/2014	Smith et al.	
D379,861 S	6/1997	Wunsch		D707,938 S	7/2014	Spring	
D384,806 S	10/1997	Pallera		D708,828 S	7/2014	Avar et al.	
D387,550 S	12/1997	Ng et al.		D714,037 S	9/2014	Della Valle et al.	
D394,742 S *	6/1998	Gaudio	D2/902	D717,032 S	11/2014	Van Zyll De Jong et al.	
D396,739 S	8/1998	Pallera		D717,535 S	11/2014	Kelley	
D397,841 S *	9/1998	Munns	D2/902	D718,038 S	11/2014	Kelley	
D397,851 S	9/1998	Greenberg		D723,785 S	3/2015	Miner	
D402,794 S	12/1998	Spriggs		D724,298 S	3/2015	Zaedow	
D410,137 S	5/1999	Kelley		D725,356 S	3/2015	Miner	
D410,962 S	6/1999	Iwahashi		D729,503 S	5/2015	Carroll et al.	
5,915,820 A *	6/1999	Kraeuter	A43B 5/00 36/102	D731,162 S	6/2015	Cin	
D429,061 S	8/2000	Burruano et al.		D731,761 S	6/2015	Carroll et al.	
D444,939 S	7/2001	Hamel		D737,554 S	9/2015	Della Valle et al.	
D447,853 S	9/2001	Merceron		D738,084 S	9/2015	Feeney	
D449,426 S	10/2001	Pollastrelli		D741,055 S	10/2015	Avar	
6,354,020 B1 *	3/2002	Kimball	A43B 13/203 36/135	D746,030 S	12/2015	Avar	
D459,062 S	6/2002	Pollastrelli		D748,383 S	2/2016	Raysse	
D465,902 S	11/2002	Ammon et al.		D751,797 S	3/2016	Slimane	
D473,041 S	4/2003	Finkelberg		D752,322 S	3/2016	Tomat	
D490,232 S	5/2004	Kuerbis		D760,483 S	7/2016	Siegel	
D492,473 S	7/2004	White		D762,953 S	8/2016	Del Biondi et al.	
D503,028 S	3/2005	Merceron		D769,586 S	10/2016	Buscemi	
D516,293 S	3/2006	Smith, III		D774,288 S	12/2016	Pina	
D528,776 S *	9/2006	Hui	D2/977	D787,789 S	5/2017	Del Biondi et al.	
D544,702 S	6/2007	Link		D792,068 S *	7/2017	Lee	D2/947
D569,587 S	5/2008	James		D792,683 S	7/2017	Carroll et al.	
D571,988 S	7/2008	Dillenbeck		D793,676 S	8/2017	Slimane	
D572,440 S *	7/2008	Polegato Moretti	D2/907	D796,160 S	9/2017	Guichot	
D573,780 S	7/2008	Davis et al.		D796,796 S	9/2017	Frisoni et al.	
D582,133 S	12/2008	Del Biondi		D796,816 S	9/2017	Klein	
D583,132 S *	12/2008	Polegato Moretti	D2/907	D799,179 S *	10/2017	Comeaux	D2/947
D586,993 S	2/2009	Banik et al.		D802,266 S	11/2017	Hardman	
D590,137 S	4/2009	Austin		D804,784 S	12/2017	Romero et al.	
D593,741 S	6/2009	Vico et al.		D810,408 S	2/2018	Hernandez	
7,543,397 B2	6/2009	Kilgore et al.		D812,870 S	3/2018	Laska	
D595,937 S	7/2009	Morris		D814,155 S	4/2018	Hernandez	
D615,734 S	5/2010	Di Nucci		D815,424 S	4/2018	Petrie	
D636,155 S	4/2011	Della Valle et al.		D821,734 S	7/2018	Petrie	
D636,156 S	4/2011	Della Valle et al.		D824,645 S *	8/2018	Gibson	D2/947
D636,157 S	4/2011	Nascimento		D825,158 S	8/2018	Petrenka	
D648,514 S	11/2011	Avar		D827,258 S	9/2018	Pina	
D651,387 S	1/2012	Van Zyll De Jong et al.		D833,126 S	11/2018	Laska	
D653,842 S	2/2012	Weiss		D836,892 S *	1/2019	Jenkins	D2/947
D659,367 S	5/2012	Hurayt		D838,449 S	1/2019	Michetti	
D659,953 S	5/2012	Van Zyll De Jong et al.		D840,649 S	2/2019	De Biase	
D659,972 S	5/2012	Hurayt		D841,965 S	3/2019	Goldman et al.	
D660,566 S	5/2012	Van Zyll De Jong et al.		D843,098 S	3/2019	Natowich McPhee et al.	
D662,697 S	7/2012	Portzline		D844,952 S	4/2019	Taylor	
D670,070 S	11/2012	Della Valle et al.		D846,243 S	4/2019	Comeaux et al.	
D675,418 S	2/2013	Van Zyll De Jong et al.		D846,851 S	4/2019	Della Valle et al.	
D677,865 S	3/2013	Van Zyll De Jong et al.		D851,875 S	6/2019	Jacobs	
D680,309 S	4/2013	Raysse		D853,690 S	7/2019	Taylor	
D680,714 S	4/2013	Della Valle et al.		D853,702 S *	7/2019	Mokos	A43B 13/04 D2/953
D680,720 S	4/2013	Smith et al.		D854,285 S	7/2019	Chang	
				D854,292 S *	7/2019	Mokos	A43B 13/206 D2/953
				D854,293 S *	7/2019	Mokos	A43D 25/047 D2/953

(56)

References Cited

U.S. PATENT DOCUMENTS

D854,797 S * 7/2019 Mokos A43B 7/1495
D2/953

D855,952 S 8/2019 Hardy

D858,955 S 9/2019 Bongers

D863,742 S 10/2019 Huard et al.

D863,744 S * 10/2019 Della Valle B29D 35/142
D2/953

D864,530 S * 10/2019 Verfl A43B 13/203
D2/908

D865,342 S * 11/2019 Owens B29D 35/122
D2/947

D867,735 S * 11/2019 Owens D2/951

D872,982 S 1/2020 Kuerbis

D872,983 S * 1/2020 Louboutin D2/947

D874,099 S 2/2020 Hartmann et al.

D874,797 S 2/2020 Fongher et al.

D876,761 S * 3/2020 Zhu D2/947

D876,765 S * 3/2020 Gerig D2/947

D877,465 S 3/2020 Hartmann et al.

D878,019 S 3/2020 McMillan

D879,423 S 3/2020 Engel et al.

10,575,587 B2 3/2020 Guyan

D880,131 S 4/2020 Fick et al.

10,624,417 B2 * 4/2020 Dojan B29D 35/122

D883,622 S * 5/2020 D'Avoine D2/947

D885,723 S * 6/2020 Lee D2/947

D885,729 S * 6/2020 Swierszczyk D2/953

D885,735 S * 6/2020 Hardy D2/959

D886,424 S * 6/2020 McKenzie D2/947

2004/0148803 A1 * 8/2004 Grove A43B 7/14
36/103

2007/0107265 A1 * 5/2007 Mueller A43B 13/16
36/91

2007/0220778 A1 9/2007 Fusco et al.

2010/0088928 A1 4/2010 Sarantakos et al.

2010/0139119 A1 * 6/2010 Sokolowski A43B 5/12
36/8.3

2010/0180474 A1 7/2010 Clark et al.

2010/0186255 A1 7/2010 Avar et al.

2010/0275470 A1 11/2010 Hoffer et al.

2011/0072687 A1 3/2011 Bobbett et al.

2012/0023781 A1 * 2/2012 Dojan A43B 13/04
36/103

2012/0144698 A1 6/2012 McDowell

2014/0215729 A1 * 8/2014 Curl B29D 35/142
12/21

2014/0230276 A1 * 8/2014 Campos, II A43B 13/206
36/84

2015/0101215 A1 4/2015 Henderson et al.

2015/0143722 A1 * 5/2015 Faggin A43D 25/047
36/25 R

2015/0257481 A1 * 9/2015 Campos, II A43B 13/20
36/103

2016/0324254 A1 * 11/2016 McDonald A43B 7/1495

2017/0340057 A1 11/2017 Guyan

2018/0125160 A1 * 5/2018 Dojan A43B 13/122

2019/0208859 A1 * 7/2019 Mokos A43B 13/187

2019/0246738 A1 * 8/2019 Connell A43B 13/186

2020/0015548 A1 * 1/2020 Peyton A43B 13/14

OTHER PUBLICATIONS

“Brothel Creeper,” Wikipedia, dated Jul. 17, 2016, archived on Aug. 3, 2016, accessed on Mar. 12, 2019, (https://en.wikipedia.org/wiki/Brothel_creeper), 2 pages.

“Brothel Creepers—The Shoes that are Creeping Back into Fashion,” Huffpost, dated Sep. 2, 2011, accessed on Mar. 12, 2019, (http://www.huffingtonpost.co.uk/jane-mcfarland/brothel-creepers-theshoe_b_947277.html), 1 page.

“Mr. Completely Shoes,” Haus of Rihanna, dated Oct. 27, 2014, archived on May 31, 2016, accessed on Mar. 12, 2019, (<http://hausofrihanna.com/mr-completely-adidas-creepy-samba-shoes/mr-completely-adidas-samba-creepers-rihanna/>), 3 pages.

“Puma Suede Winter Gum Sneaker-Black,” Jimmy Jazz, archived on May 10, 2016, accessed on Mar. 12, 2019, (<http://www.jimmyjazz.com/mens/footwear/puma-suede-winter-gum-sneaker/360987-01>), 2 pages.

“Rihanna Spotted In Mr. Completely Custom Nike and Adidas Creepers,” Snobette, Oct. 28, 2014, accessed on Mar. 12, 2016, (<http://thesnobette.com/2014/10/mr-completely-nike-adidas-creepers/>), 6 pages.

Gorman, “George Cox: The origins of the Diano Brothel Creeper + Samples ordered by Malcolm McLaren in 1973,” dated Jan. 20, 2015, archived on Jul. 11, 2015, accessed on Mar. 12, 2019, (<http://www.paulgormanis.com/?p=13103>), 8 pages.

Zolla, “Creepers,” Vogue Encyclo, archived on Mar. 22, 2015, accessed on Mar. 12, 2019, (<http://www.vogue.it/en/encyclo/fashion/c/creepers>), 3 pages.

Astro Sala Men’s Sneakers, Puma.com, [online], [site visited Mar. 16, 2020]. <URL: https://us.puma.com/en/us/pd/astro-sala-mens-sneakers/362361.html?dwvar_362361_color=09> (Year: 2020) 1 page.

Converse Men’s Chuck Taylor Sneakers, Amazon.com, Date first listed on Amazon: Apr. 22, 2009, [online], [site visited Mar. 16, 2020]. <URL: <https://www.amazon.com/Converse-Chuck-Taylor-Star-Sneakers/dp/B0002M30VM?th=1>> (Year: 2009) 3 pages.

The Converse All Star Pro BB Goes Triple White For All-Star, SneakerNews.com, Feb. 12, 2020 by Jovani Hernandez, [online],[site visited Mar. 16, 2020]. <URL: <https://sneakernews.com/2020/02/12/converse-all-star-pro-bb-white/>> (Year: 2020) 9 pages.

PUMA Women’s Carina Sneaker, Amazon.com, Date first listed on Amazon: Feb. 16, 2019, [online], [site visited Mar. 16, 2020]. <X URL: https://www.amazon.com/PU-MA-Womens-Carina-Sneaker-Bluestone/dp/B07KX6GPGB/-ef=pd_sbs_309_3/132-2524759-0679644?encoding=UTF8&pd_rd_i=B07HJR823P&pd_rd> (Year: 2019) 4 pages.

* cited by examiner

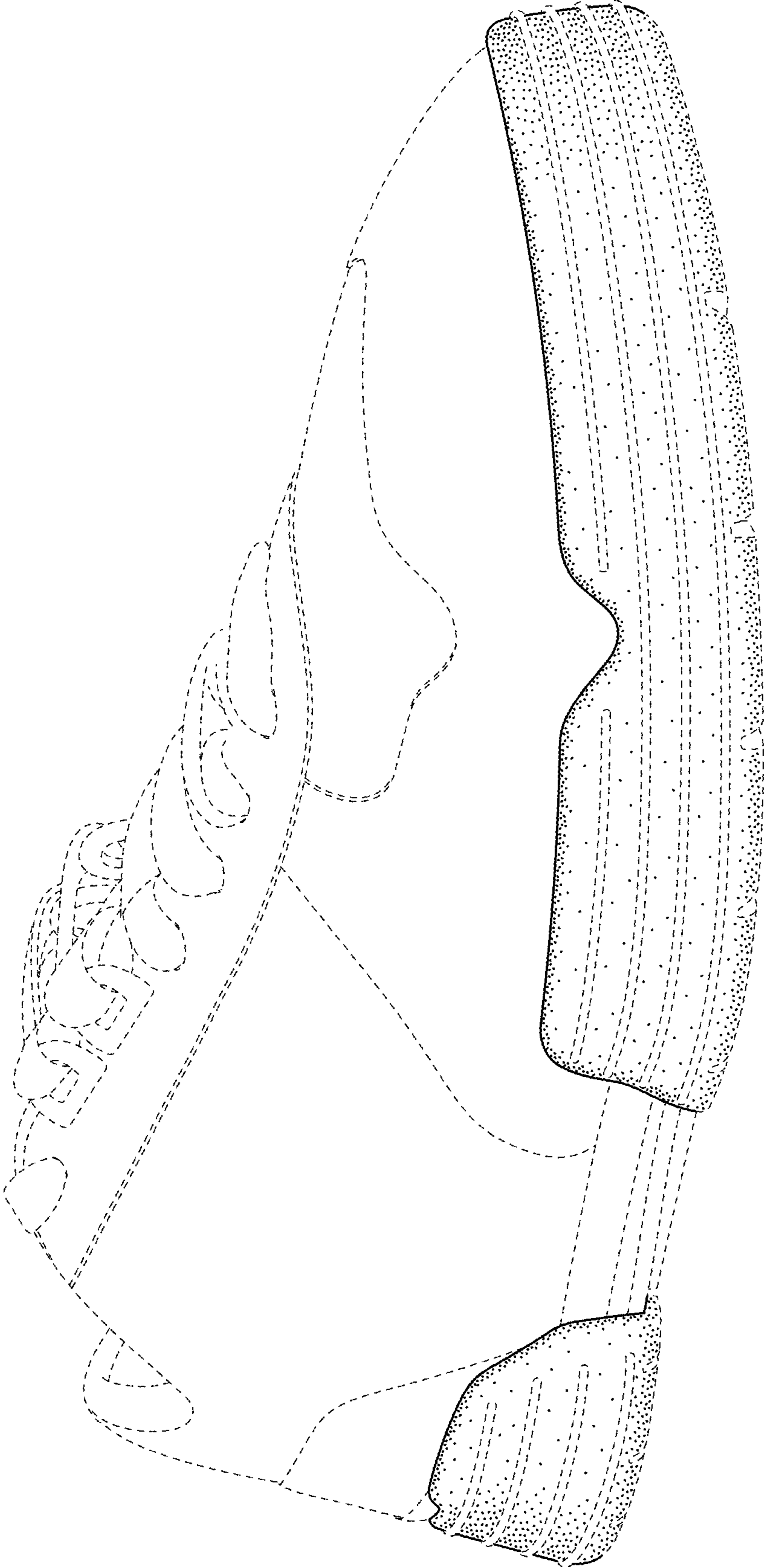


FIG. 1

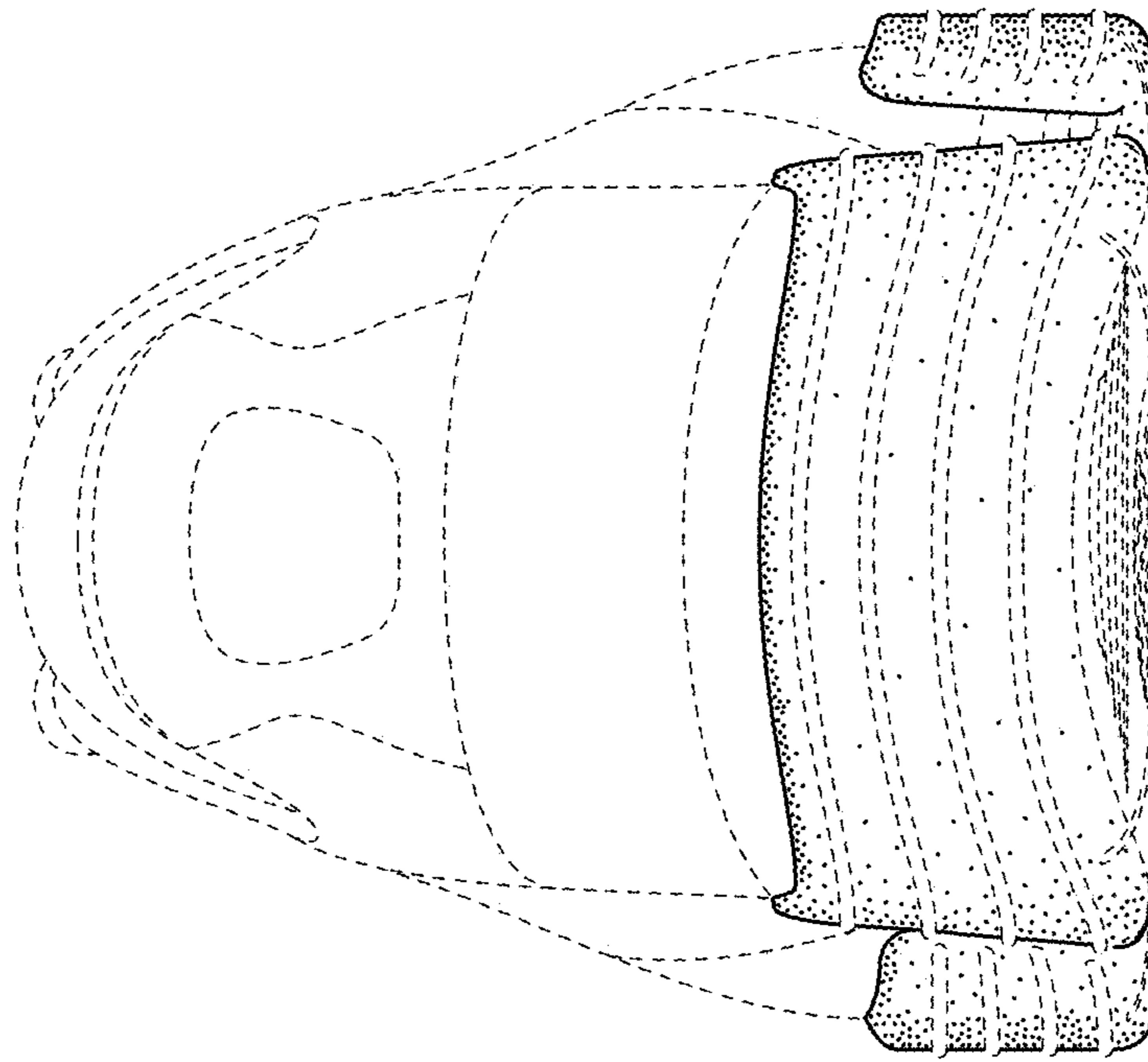


FIG. 3

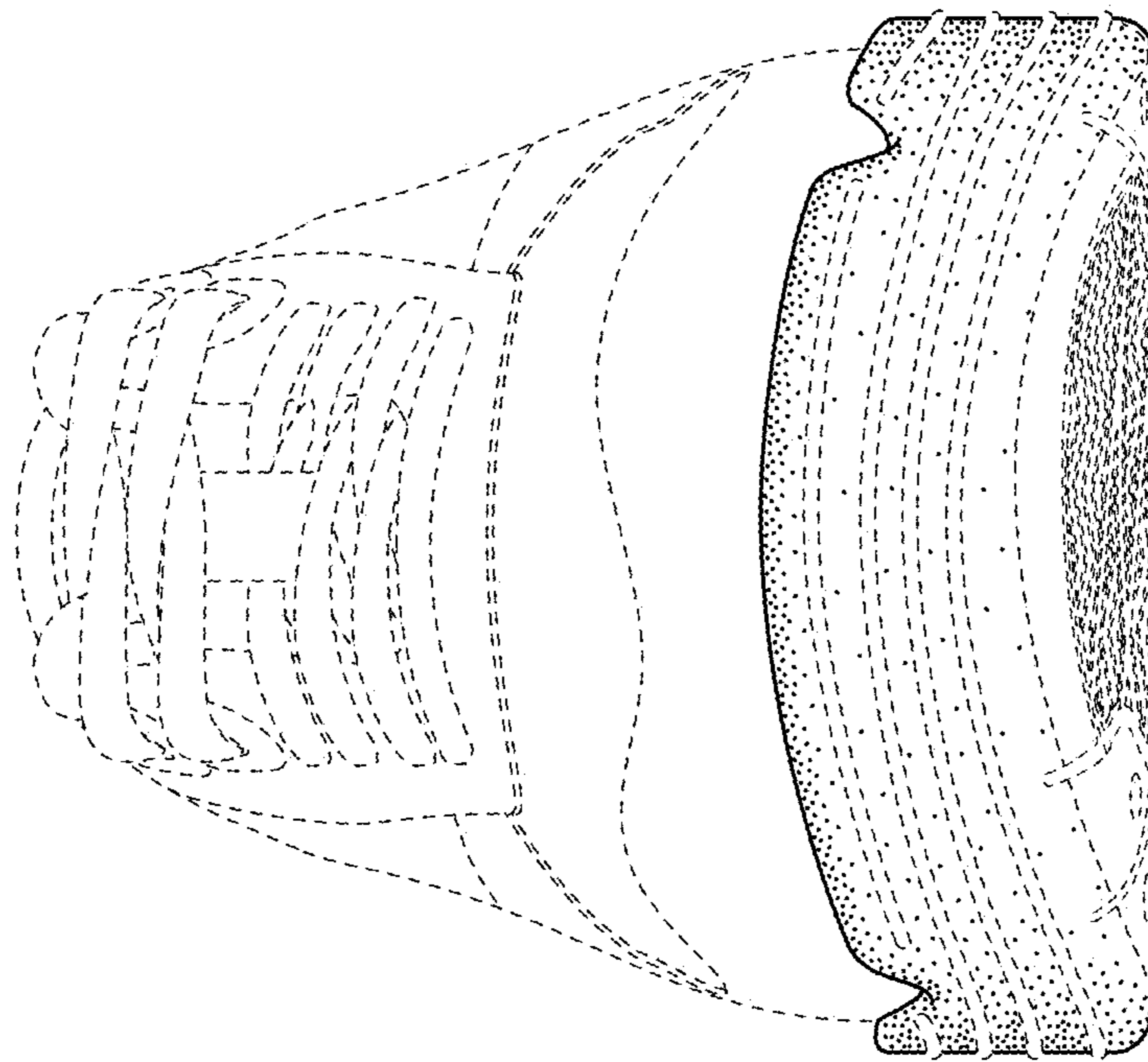


FIG. 2

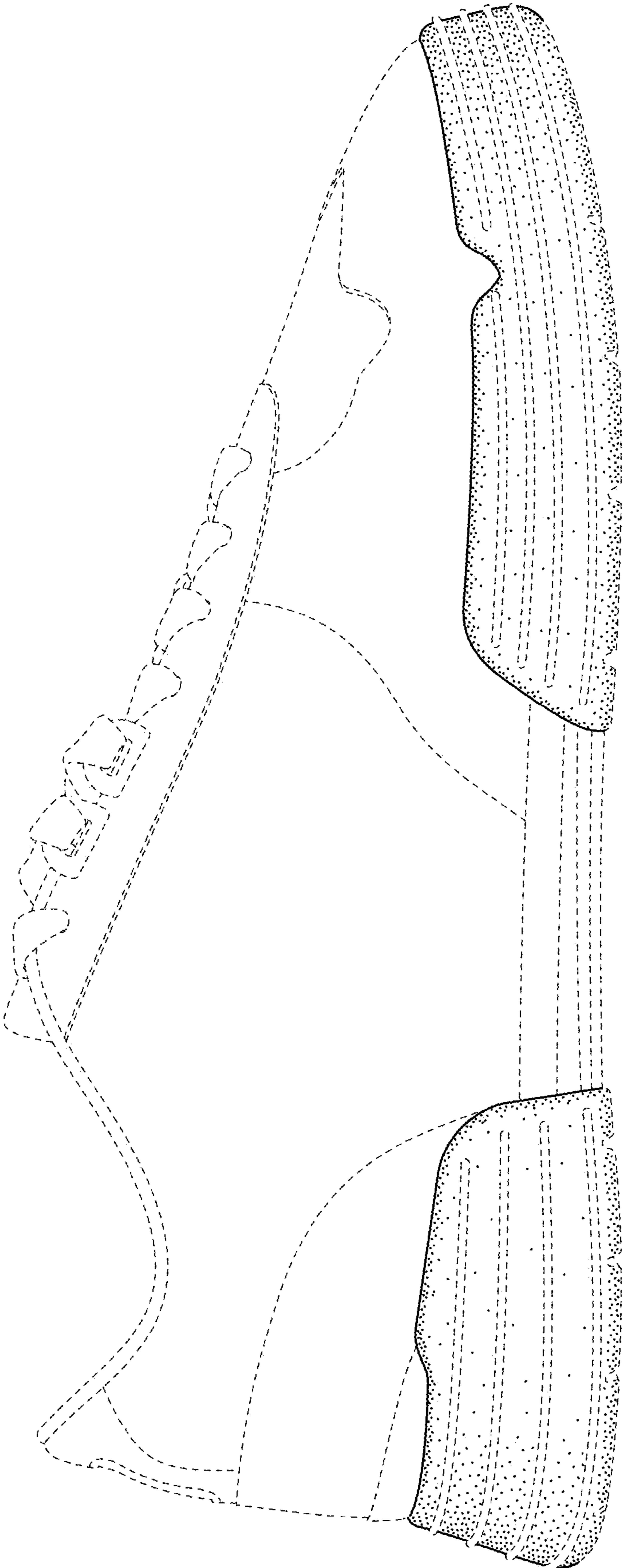


FIG. 4

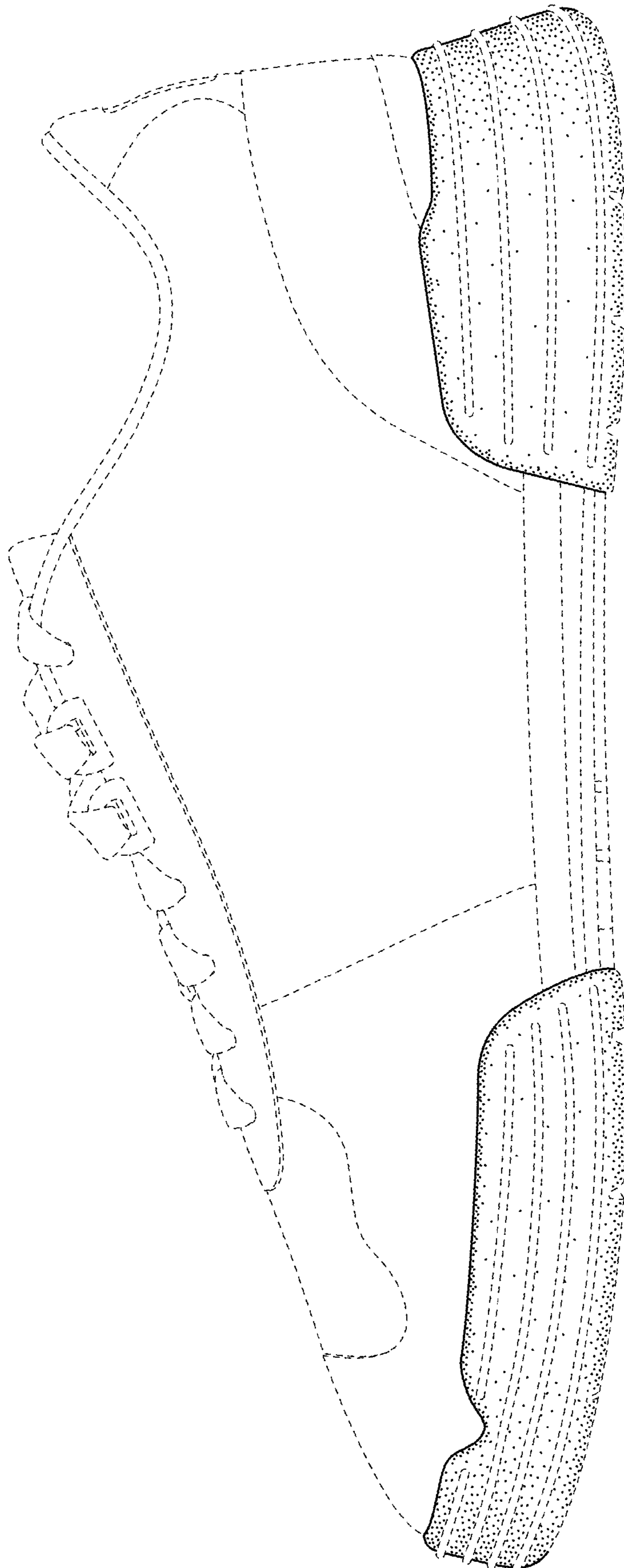


FIG. 5

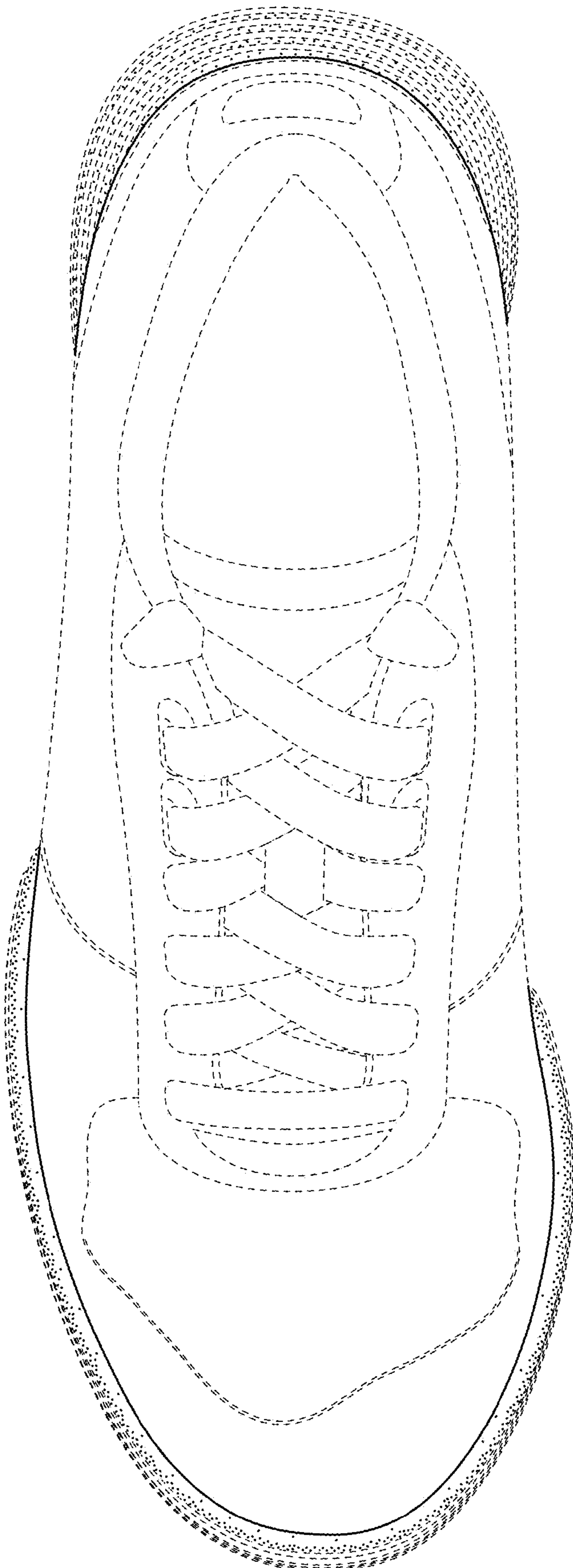


FIG. 6

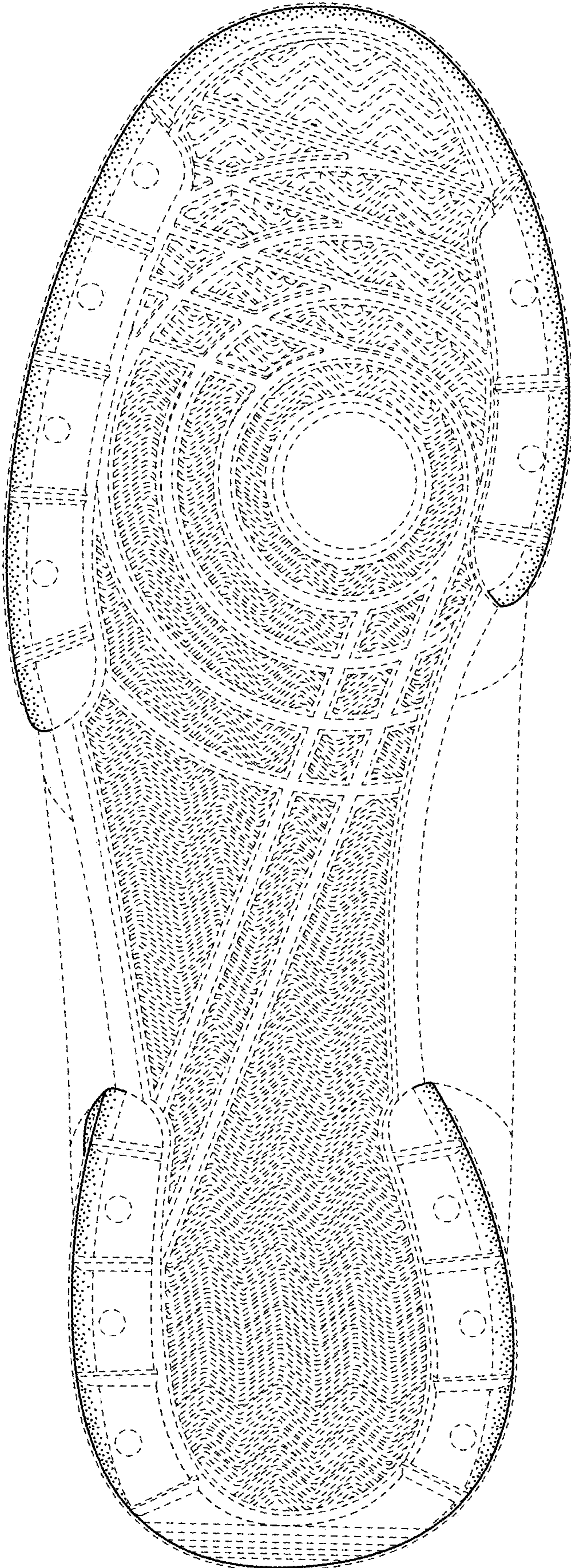


FIG. 7