



US00D900439S

(12) **United States Design Patent**
Ethridge

(10) **Patent No.:** **US D900,439 S**
(45) **Date of Patent:** **** Nov. 3, 2020**

- (54) **SANDAL** 2,096,500 A * 10/1937 McCahan A43B 3/128
36/144
- (71) Applicant: **Desaree C. Ethridge**, South Ozone 2,506,308 A 5/1950 Maynier
Park, NY (US) 2,751,693 A 6/1956 Baker
2,780,013 A * 2/1957 Voss A43B 3/128
36/105
- (72) Inventor: **Desaree C. Ethridge**, South Ozone 2,808,662 A 10/1957 Webb
Park, NY (US) 3,275,002 A 9/1966 Scholl
4,563,787 A * 1/1986 Drew A43D 999/00
12/142 N
- (**) Term: **15 Years** 4,745,927 A 5/1988 Brock
(Continued)
- (21) Appl. No.: **29/614,481**
- (22) Filed: **Aug. 18, 2017**

Related U.S. Application Data

- (63) Continuation of application No. 29/525,695, filed on May 1, 2015, now Pat. No. Des. 798,548.
- (51) **LOC (12) Cl.** **02-04**
- (52) **U.S. Cl.**
USPC **D2/917**; D2/946
- (58) **Field of Classification Search**
USPC D02/916-918, 925, 926, 929-936, 942,
D02/969, 971
CPC A43B 7/26; A43B 3/126; A43B 3/108;
A43B 3/122; A43B 3/24; A43B 3/12;
B43K 23/002
See application file for complete search history.

References Cited

U.S. PATENT DOCUMENTS

- (56) 1,167,019 A 1/1916 Reed
- 1,349,095 A * 8/1920 Parisi A43B 7/26
602/30
- 1,402,375 A * 1/1922 Parisi A43B 7/26
602/30
- 1,603,044 A * 10/1926 Gise A44C 5/0046
224/221
- 1,867,679 A * 7/1932 Riehle A43B 7/26
602/30
- 1,943,829 A * 1/1934 Koomrulan A43B 3/126
36/11.5

OTHER PUBLICATIONS

U.S. Appl. No. 29/500,833, filed Aug. 28, 2014 including prosecution history.

(Continued)

Primary Examiner — Rashida C. Walshon

(74) *Attorney, Agent, or Firm* — Knobbe, Martens, Olson & Bear, LLP

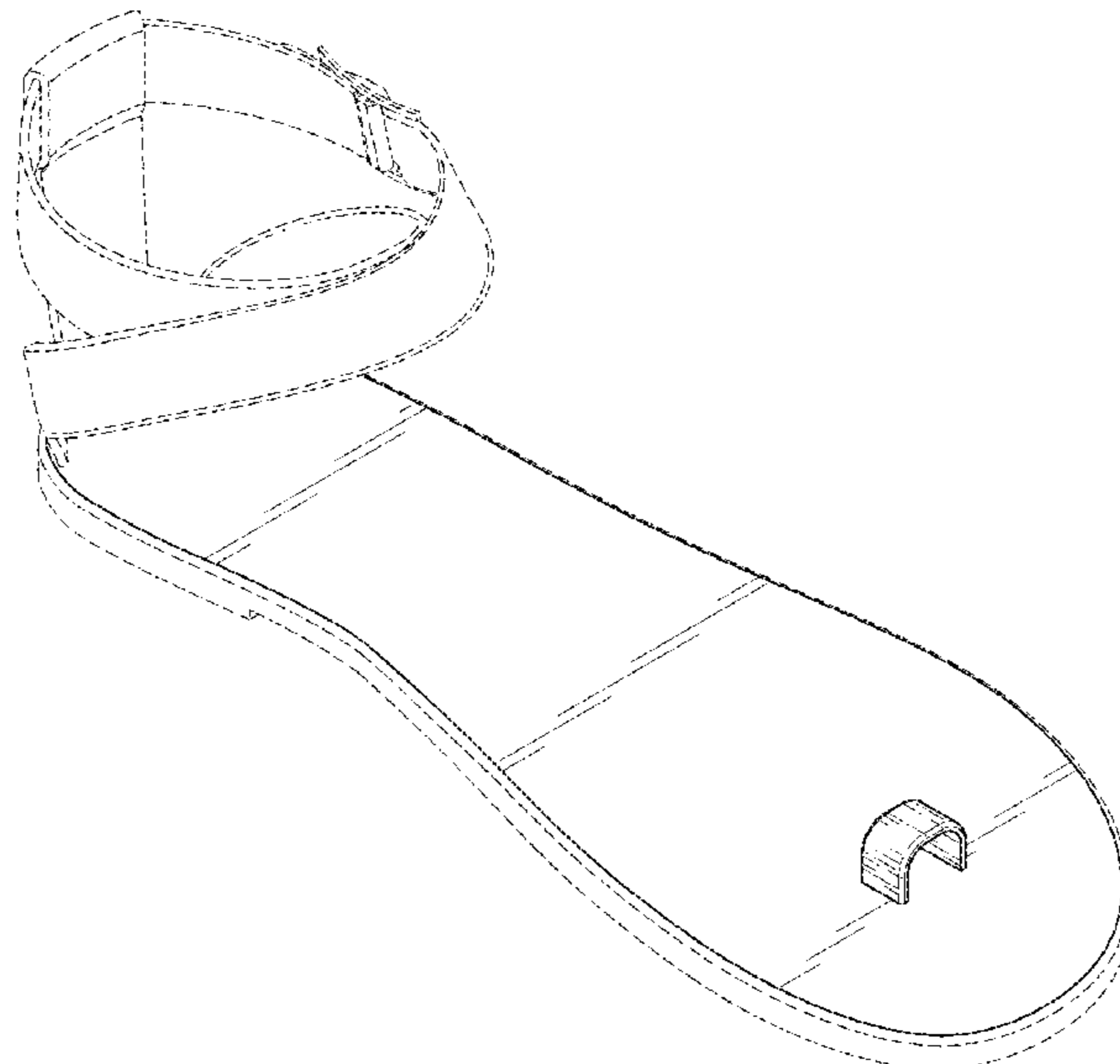
(57) **CLAIM**

The ornamental design for a sandal, as shown and described.

DESCRIPTION

FIG. 1 is a top, front, and side perspective view of a sandal embodying my new design.
 FIG. 2 is a bottom, back, and side perspective view thereof.
 FIG. 3 is a front view thereof.
 FIG. 4 is a back view thereof.
 FIG. 5 is a top view thereof
 FIG. 6 is a bottom view thereof.
 FIG. 7 is a first side view thereof; and,
 FIG. 8 is a second side view thereof.
 The broken lines in the drawings form no part of the claimed design.

1 Claim, 6 Drawing Sheets



(56)

References Cited

U.S. PATENT DOCUMENTS

4,813,162 A 3/1989 Harris
 5,823,494 A * 10/1998 Jones B43K 23/002
 248/309.1
 6,202,325 B1 * 3/2001 Kim A43B 3/105
 36/11.5
 D495,855 S 9/2004 Comeau
 D496,147 S 9/2004 Comeau
 7,314,142 B2 * 1/2008 Lyman, Jr. B43K 23/002
 206/214
 D563,091 S 3/2008 St-Louis
 D572,456 S 7/2008 Guers-Neyrud
 D577,182 S 9/2008 Comeau
 D581,149 S 11/2008 Comeau
 D591,936 S 5/2009 Frederiksen et al.
 D593,733 S 6/2009 Frederiksen et al.
 D644,422 S 9/2011 Selbiger
 D646,870 S 10/2011 Patterson
 D656,302 S * 3/2012 Driggers A43D 999/00
 D2/946
 D661,066 S 6/2012 Da Silva

D665,155 S 8/2012 Arnold
 D678,665 S 3/2013 Martinez
 8,413,349 B2 4/2013 Krauss
 D692,216 S 10/2013 Issler
 D709,270 S 7/2014 Issler
 D711,076 S 8/2014 Issler
 8,832,971 B2 9/2014 Heid
 D762,951 S 8/2016 Ethridge
 D770,737 S 11/2016 De Brito
 D774,289 S 12/2016 Comeau
 D793,040 S * 8/2017 Moore D2/917
 D840,646 S * 2/2019 de Courreges D2/917

OTHER PUBLICATIONS

U.S. Appl. No. 29/600,588, filed Apr. 13, 2017 including prosecution history.
 U.S. Appl. No. 29/569,367, filed Jun. 27, 2016 including prosecution history.
 U.S. Appl. No. 29/525,695, filed May 1, 2015 including prosecution history.

* cited by examiner

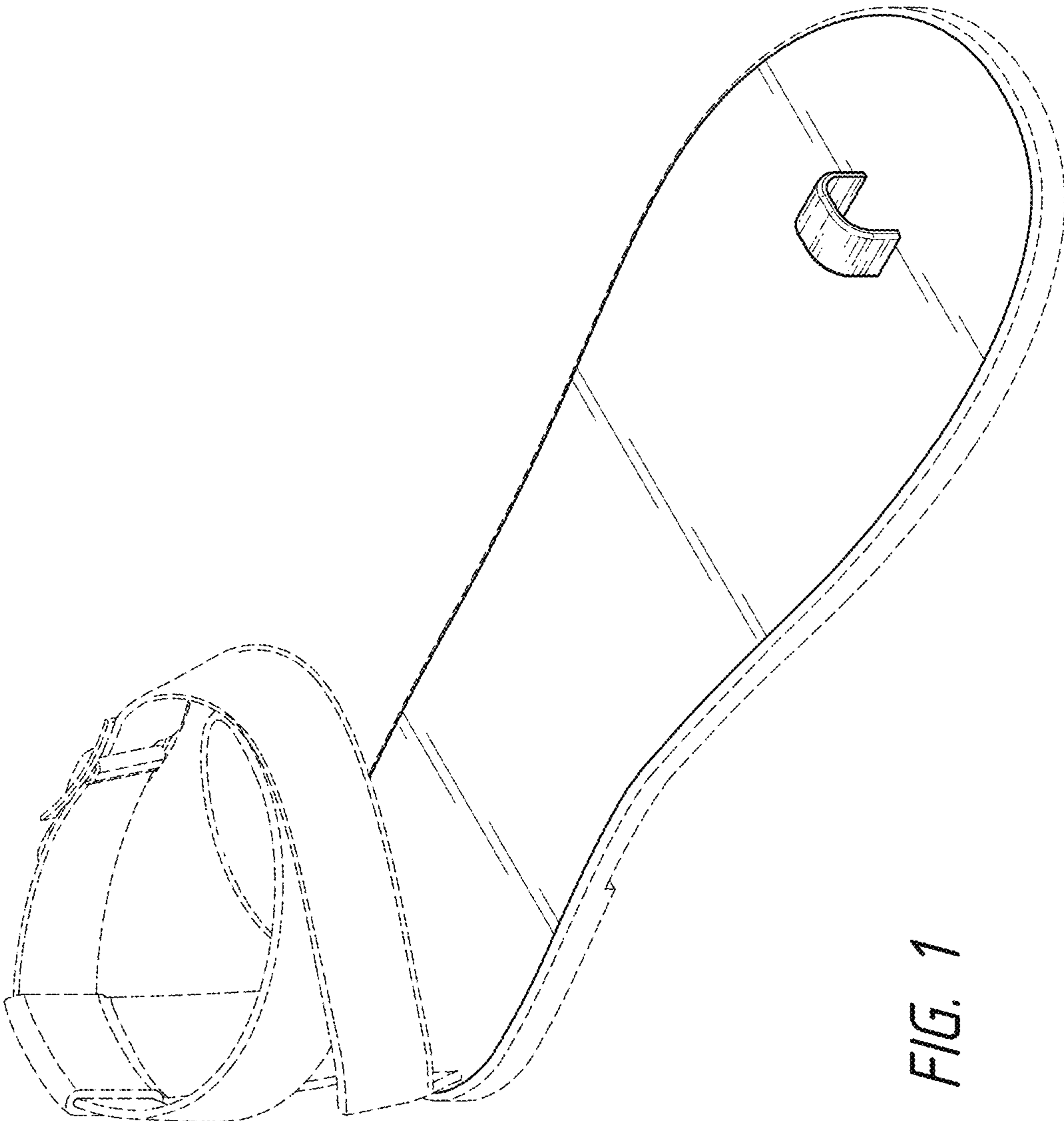


FIG. 1

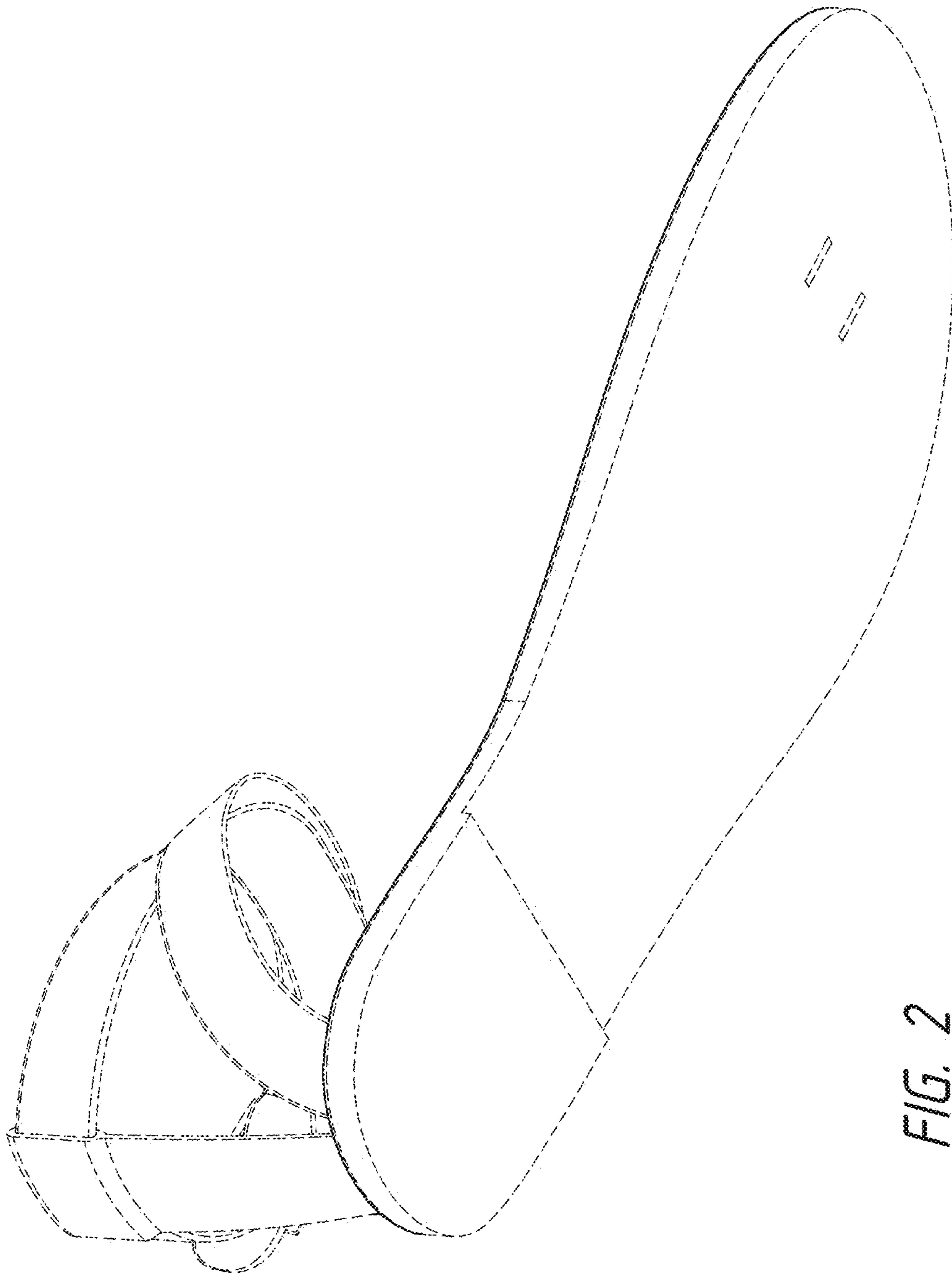


FIG. 2

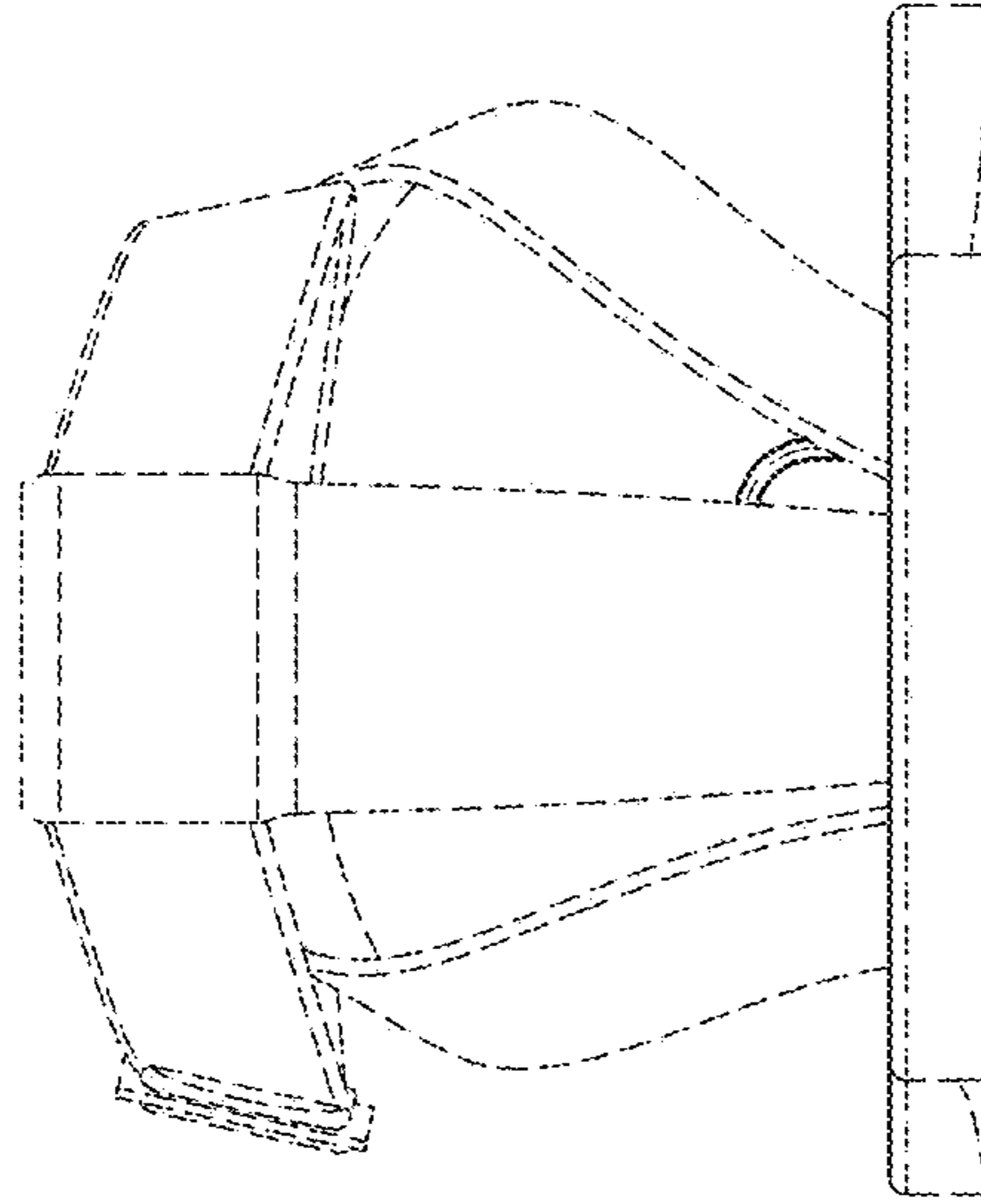


FIG. 4

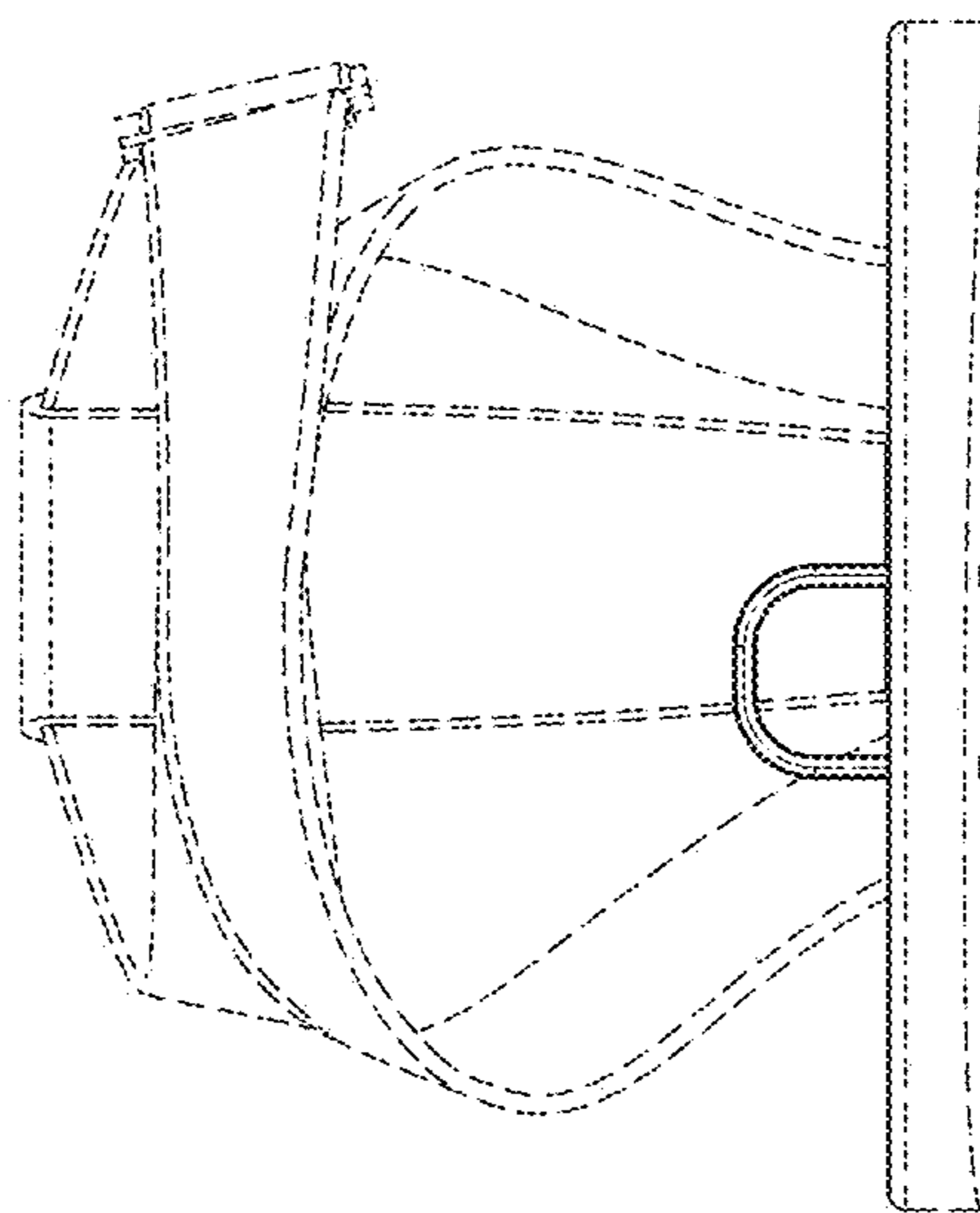


FIG. 3

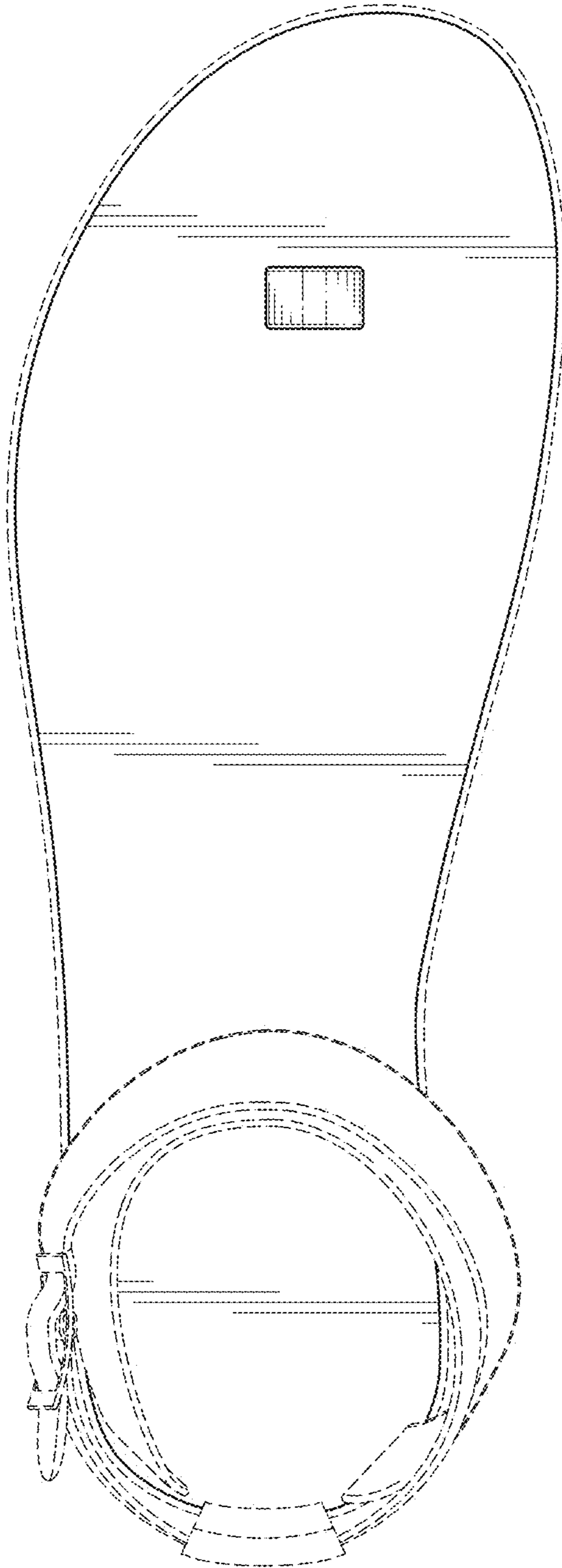


FIG. 5

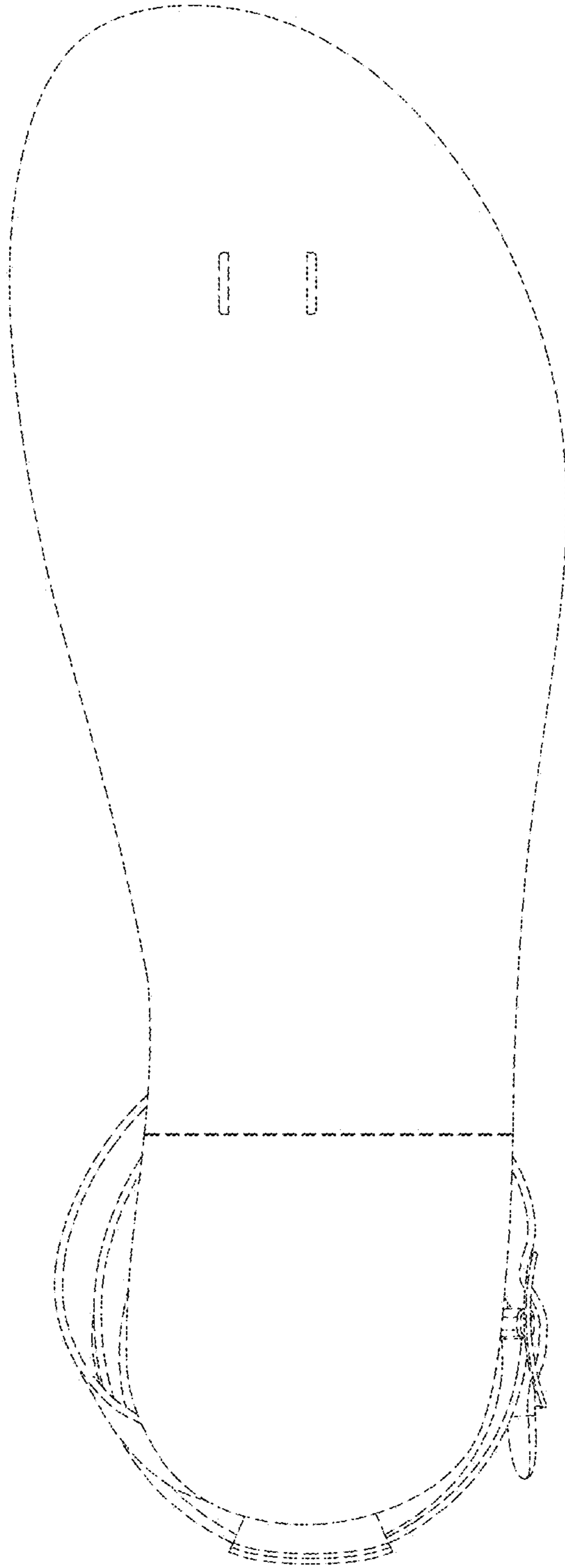


FIG. 6

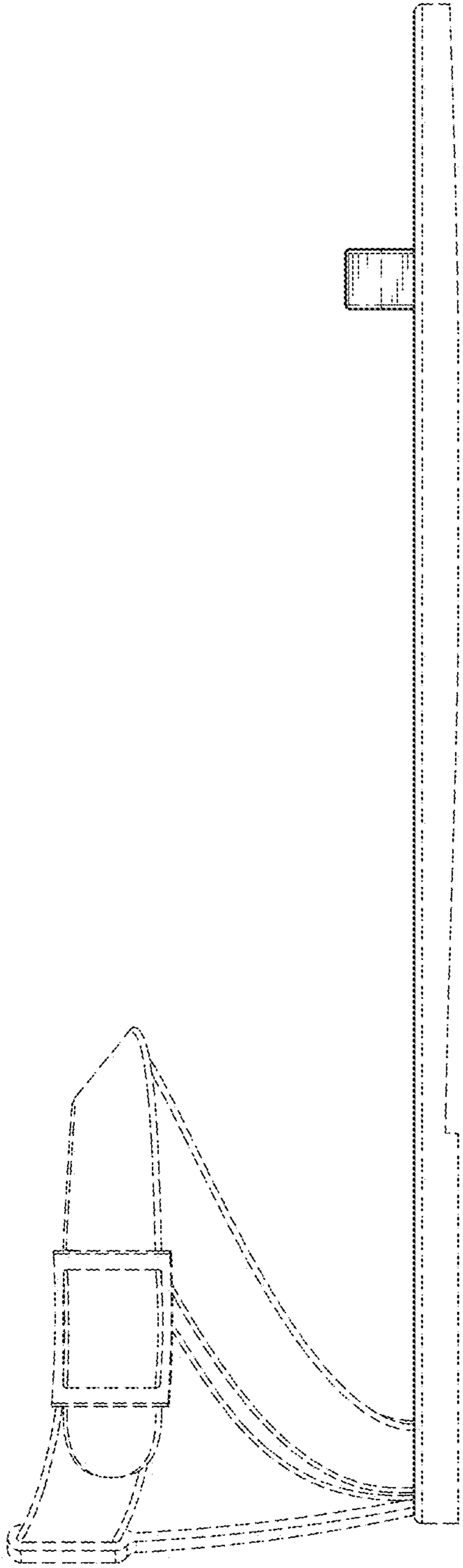


FIG. 7

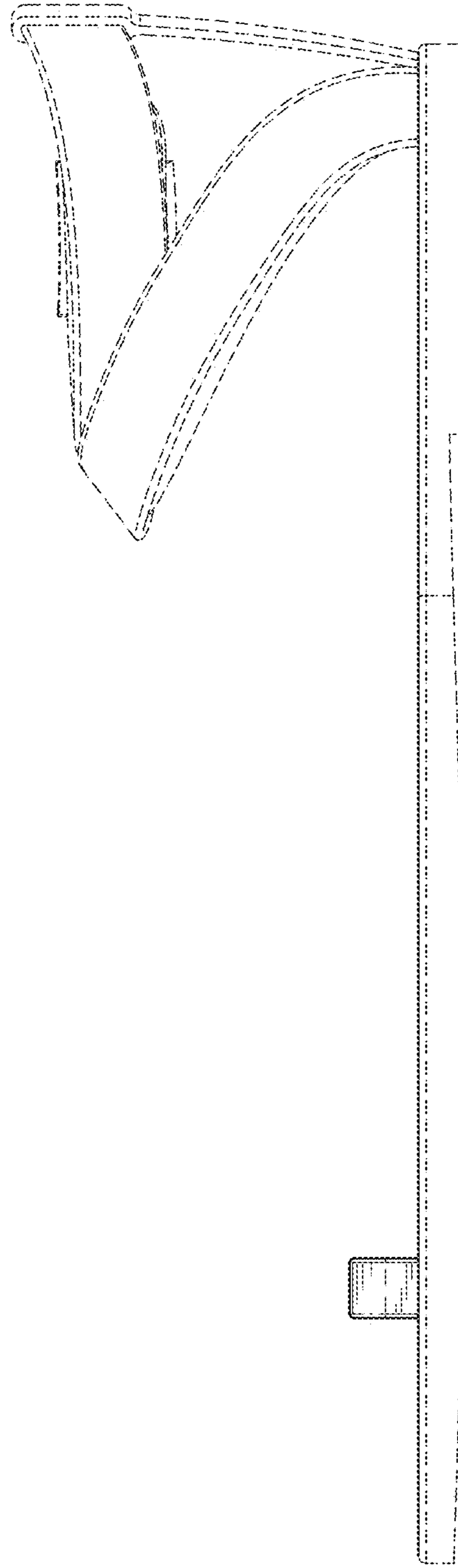


FIG. 8