



US00D900435S

(12) **United States Design Patent**
Huang et al.

(10) **Patent No.:** **US D900,435 S**

(45) **Date of Patent:** **** Nov. 3, 2020**

(54) **HEAD-MOUNTED DISPLAY**

G04B 37/00; G04B 37/0008; G04B 37/005; G04B 37/0058; G04B 47/00

(71) Applicant: **Quanta Computer Inc.**, Taoyuan (TW)

See application file for complete search history.

(72) Inventors: **Peng-Yu Huang**, Taoyuan (TW);
Shih-Yun Lee, Taoyuan (TW);
Gwo-Chyuan Chen, Taoyuan (TW)

(56) **References Cited**

U.S. PATENT DOCUMENTS

(73) Assignee: **QUANTA COMPUTER INC.**,
Taoyuan (TW)

2,440,878	A *	5/1948	Schneider	A61F 9/045
					2/10
D262,455	S *	12/1981	Bulmash	D14/192
D385,388	S *	10/1997	Berke	D16/310
D413,009	S *	8/1999	Yeh	D2/866
D435,331	S *	12/2000	Fisher	D2/866
6,843,964	B2 *	1/2005	Yeh	A42B 1/008
					2/171.2
D521,332	S *	5/2006	Dighton	D2/893
D858,522	S *	9/2019	Chen	D14/372
D862,465	S *	10/2019	Su	D14/372
D887,407	S *	6/2020	Rao	D14/372

(**) Term: **15 Years**

(21) Appl. No.: **29/687,648**

(22) Filed: **Apr. 15, 2019**

(30) **Foreign Application Priority Data**

Jan. 8, 2019 (TW) 108300125

(51) **LOC (12) Cl.** **02-03**

(52) **U.S. Cl.**
USPC **D2/871; D14/372**

(58) **Field of Classification Search**
USPC D2/865, 866, 869, 870, 871, 872, 873,
D2/874, 875, 876, 877, 878, 879, 880,
D2/881, 882, 883, 884, 885, 886, 887,
D2/888, 889, 890, 891, 892, 893, 894,
D2/895; D14/125, 126, 129, 299, 371,
D14/372, 432, 496; D16/311, 312;
D29/102, 103, 104, 122

CPC A42B 1/00; A42B 1/002; A42B 1/004;
A42B 1/006; A42B 1/02; A42B 1/06;
A42B 1/062; A42B 1/206; A42B 1/24;
A42B 1/242; A42B 1/245; A42B 1/247;
A42B 1/248; A42B 3/00; A42B 3/042;
A42B 3/30; A42B 3/306; A42C 5/00;
A47G 1/102; G02B 27/017; G02B 27/0172;
G02B 27/0176; G02B 23/125;

* cited by examiner

Primary Examiner — Jasmine Mlinarcik

(74) *Attorney, Agent, or Firm* — McClure, Qualey & Rodack, LLP

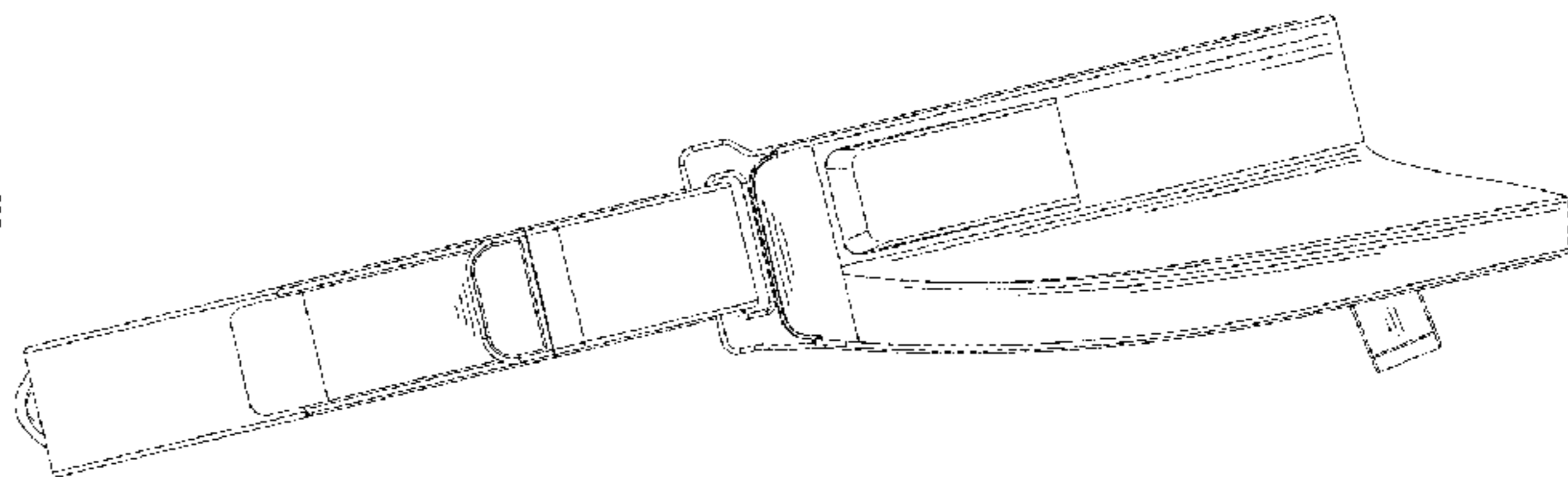
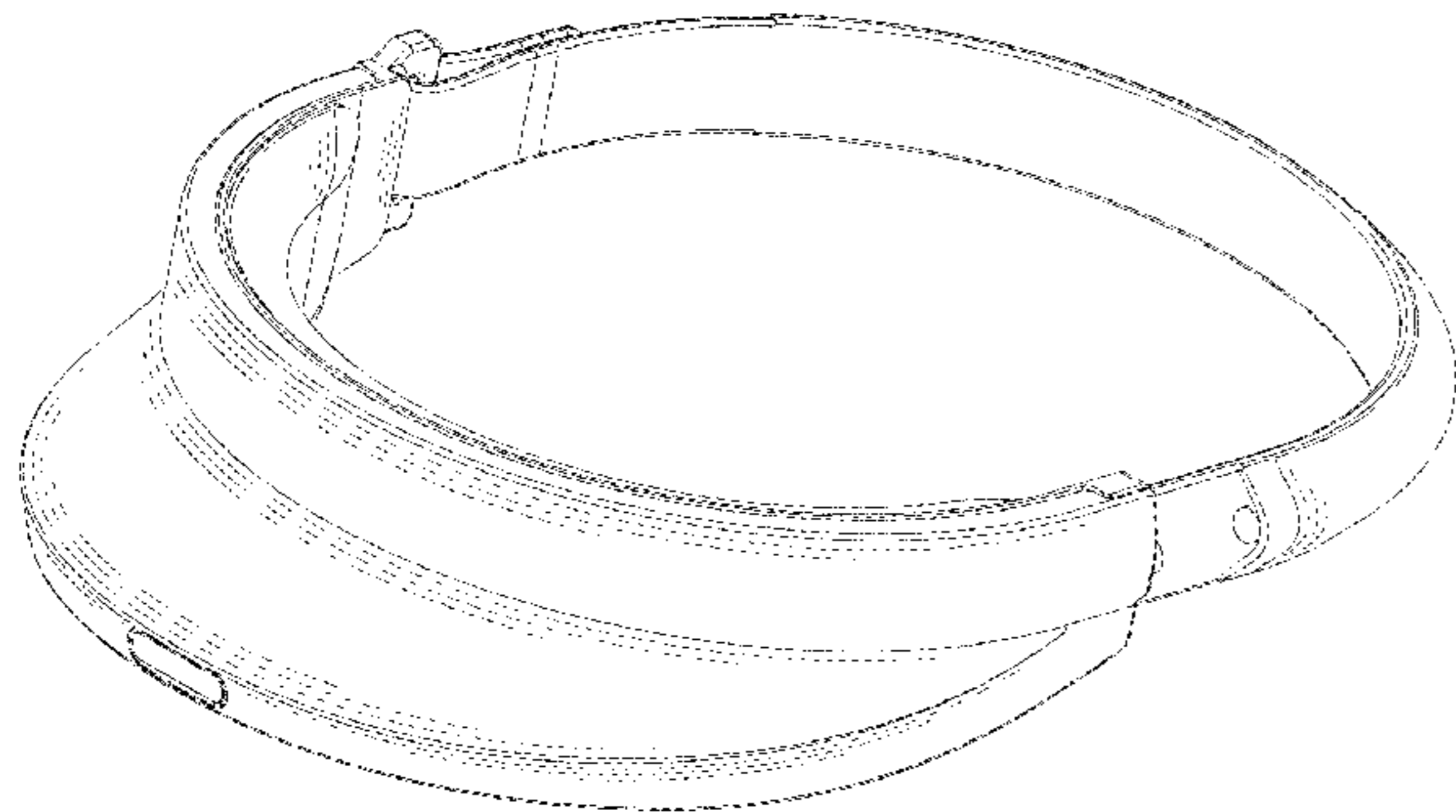
(57) **CLAIM**

The ornamental design for a head-mounted display, as shown and described.

DESCRIPTION

FIG. 1 is a front, top and right perspective view of a head-mounted display, showing our new design;
FIG. 2 is a front view thereof;
FIG. 3 is a rear view thereof;
FIG. 4 is a left side view thereof;
FIG. 5 is a right side view thereof;
FIG. 6 is a top plan view thereof; and,
FIG. 7 is a bottom plan view thereof.

1 Claim, 7 Drawing Sheets



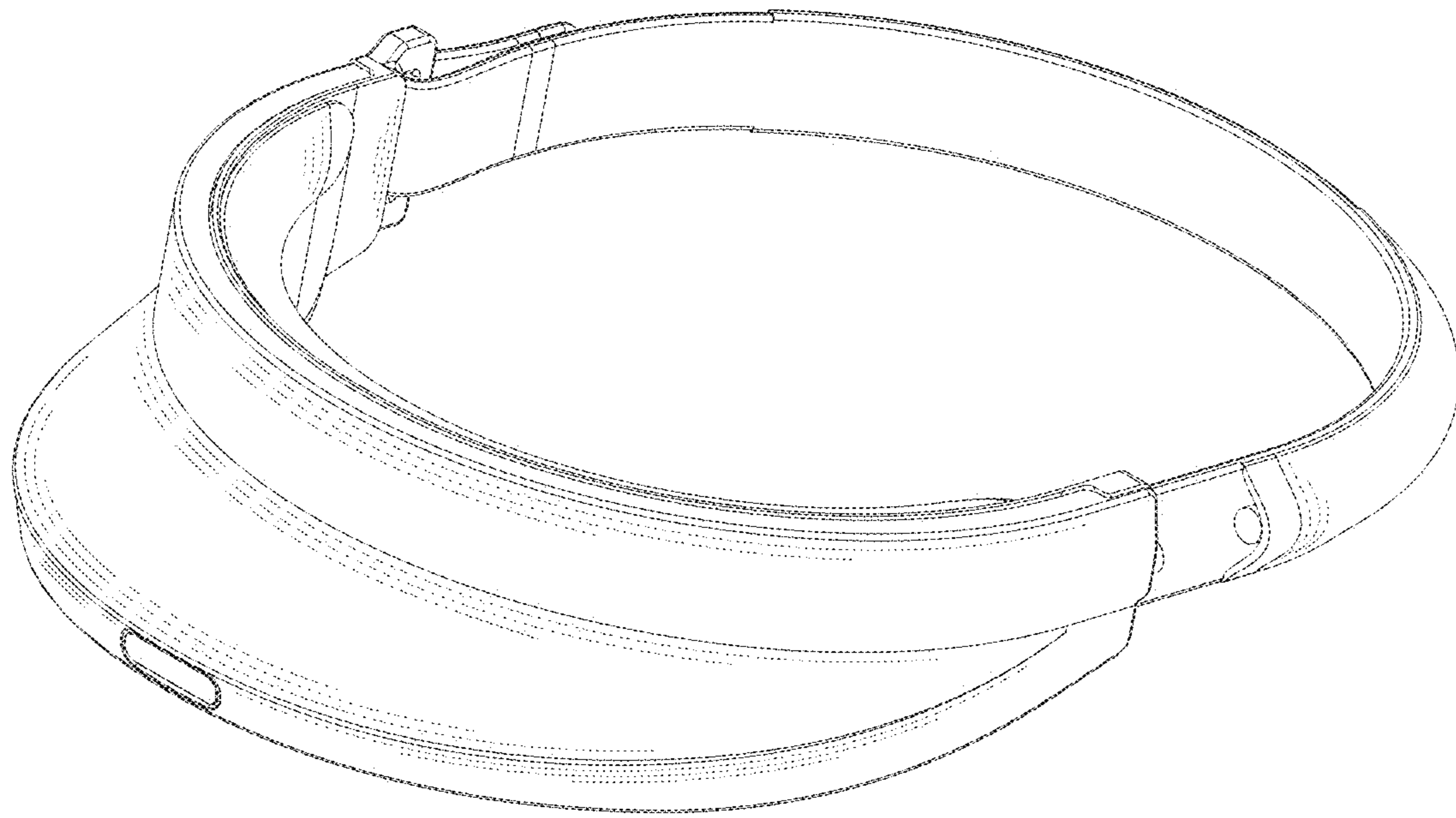


FIG. 1

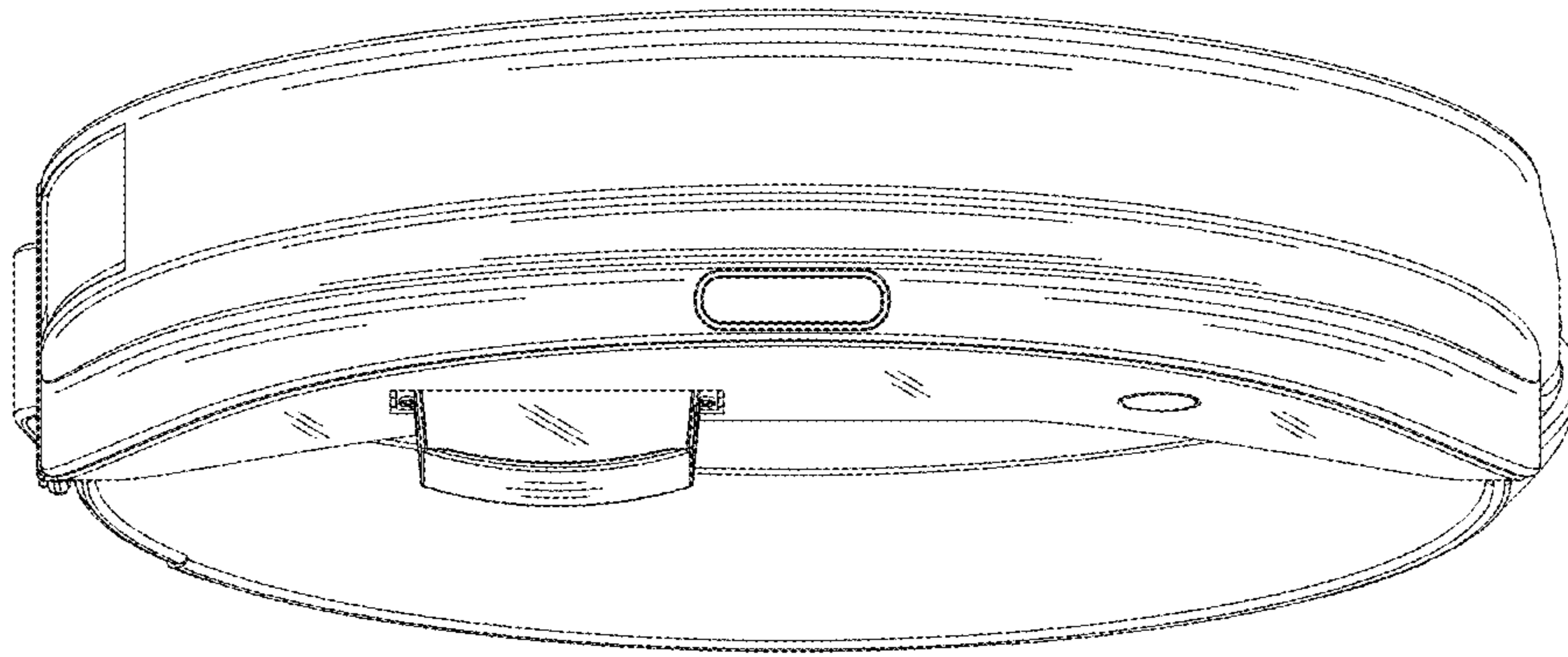


FIG. 2

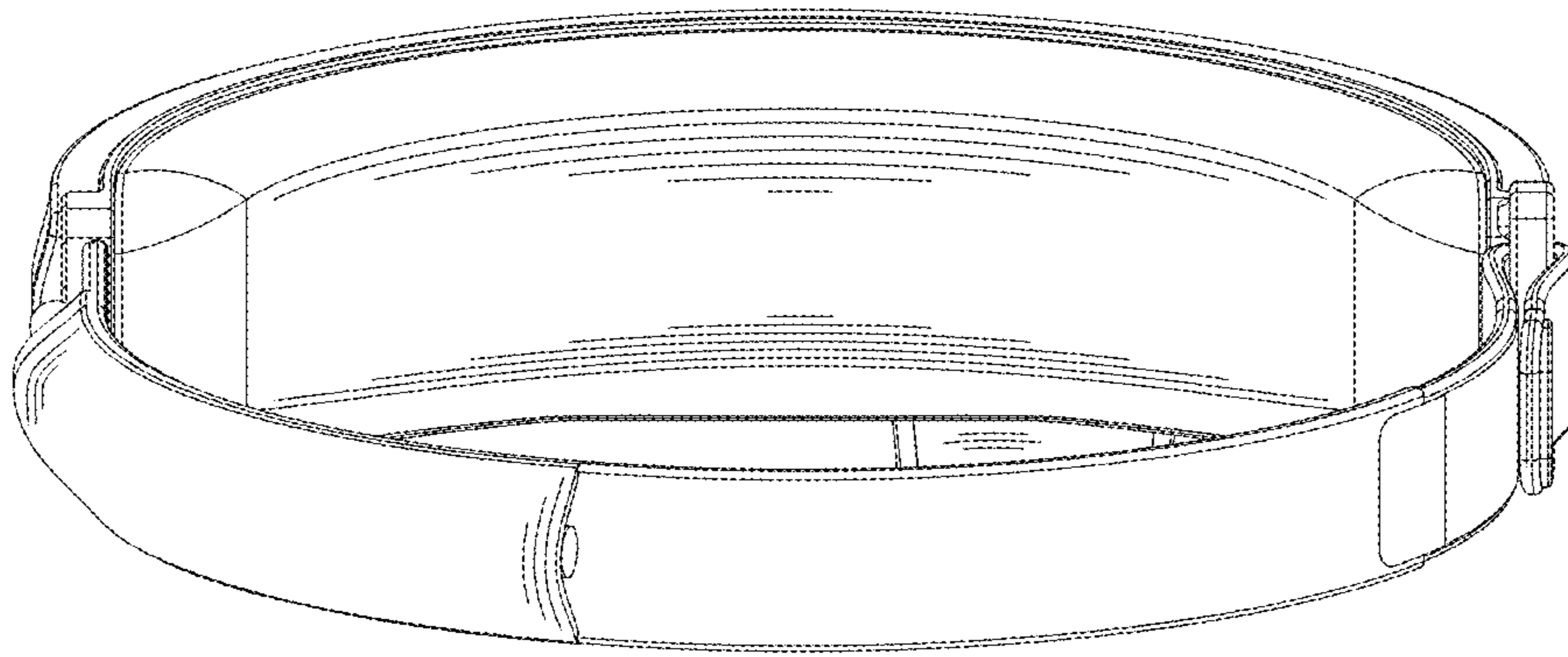


FIG. 3

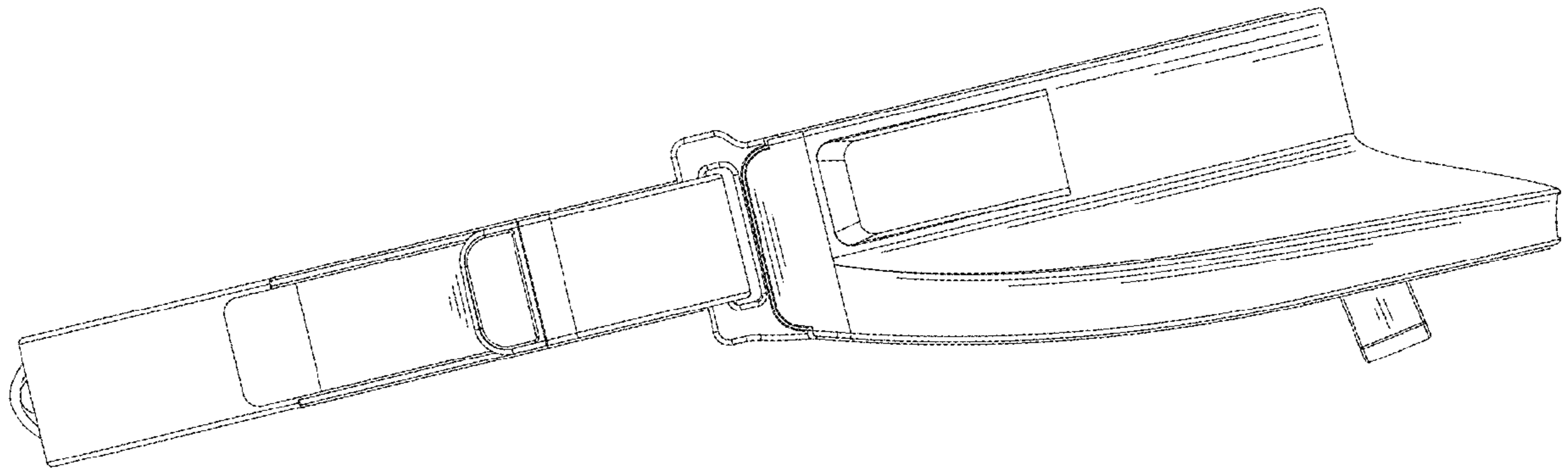


FIG. 4

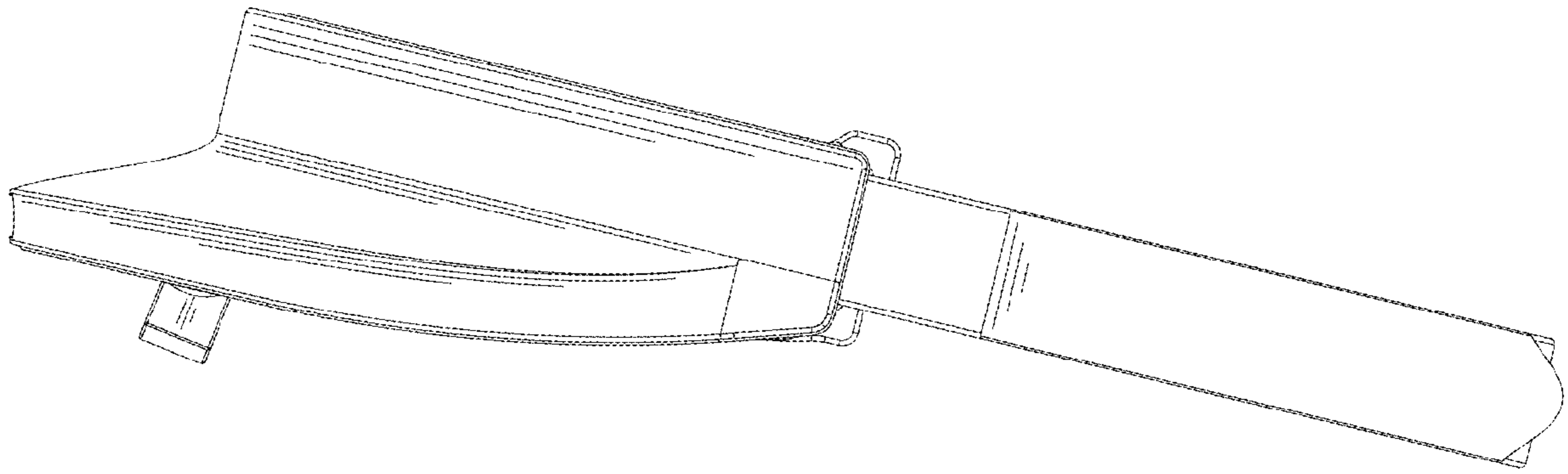


FIG. 5

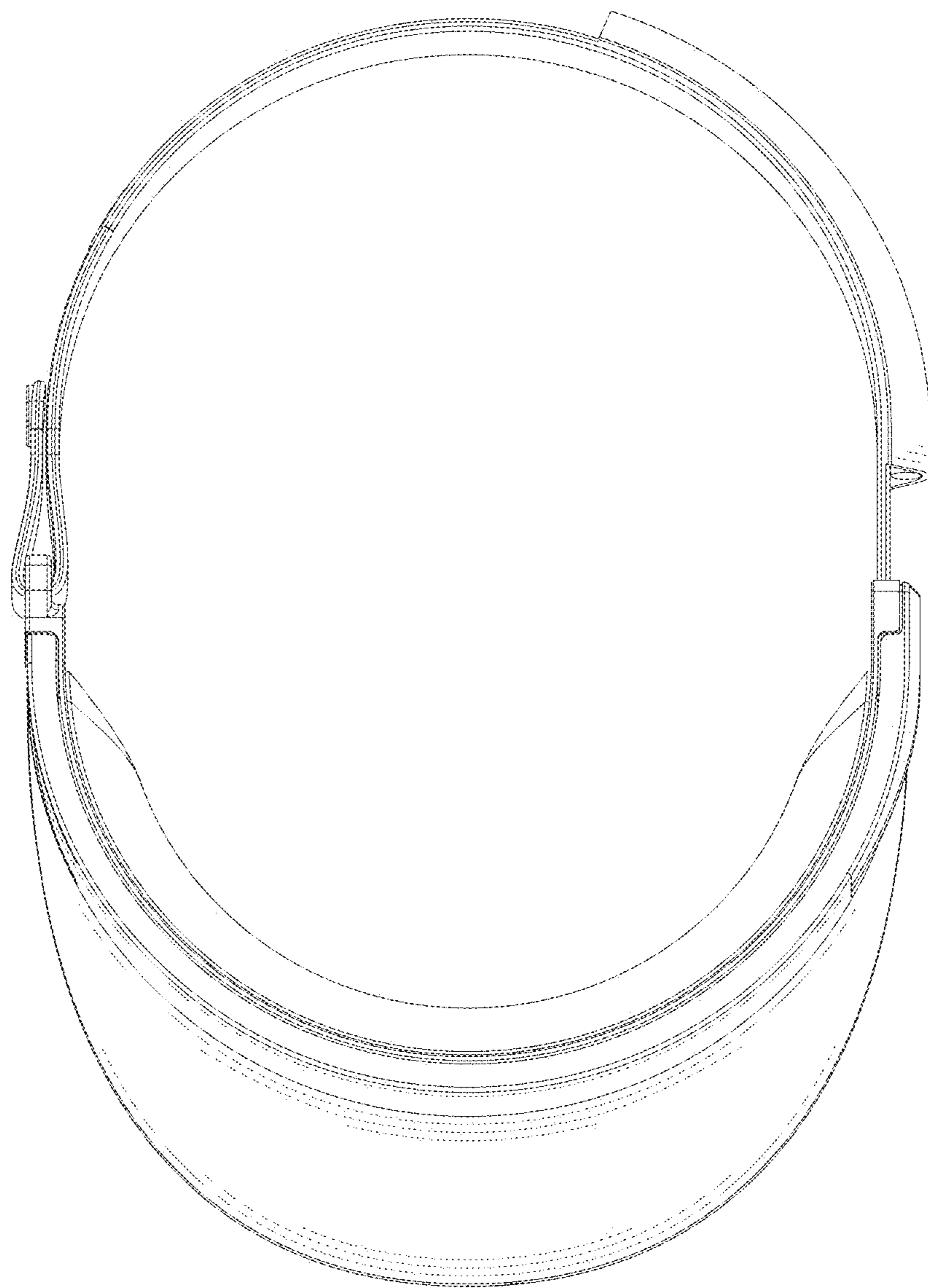


FIG. 6

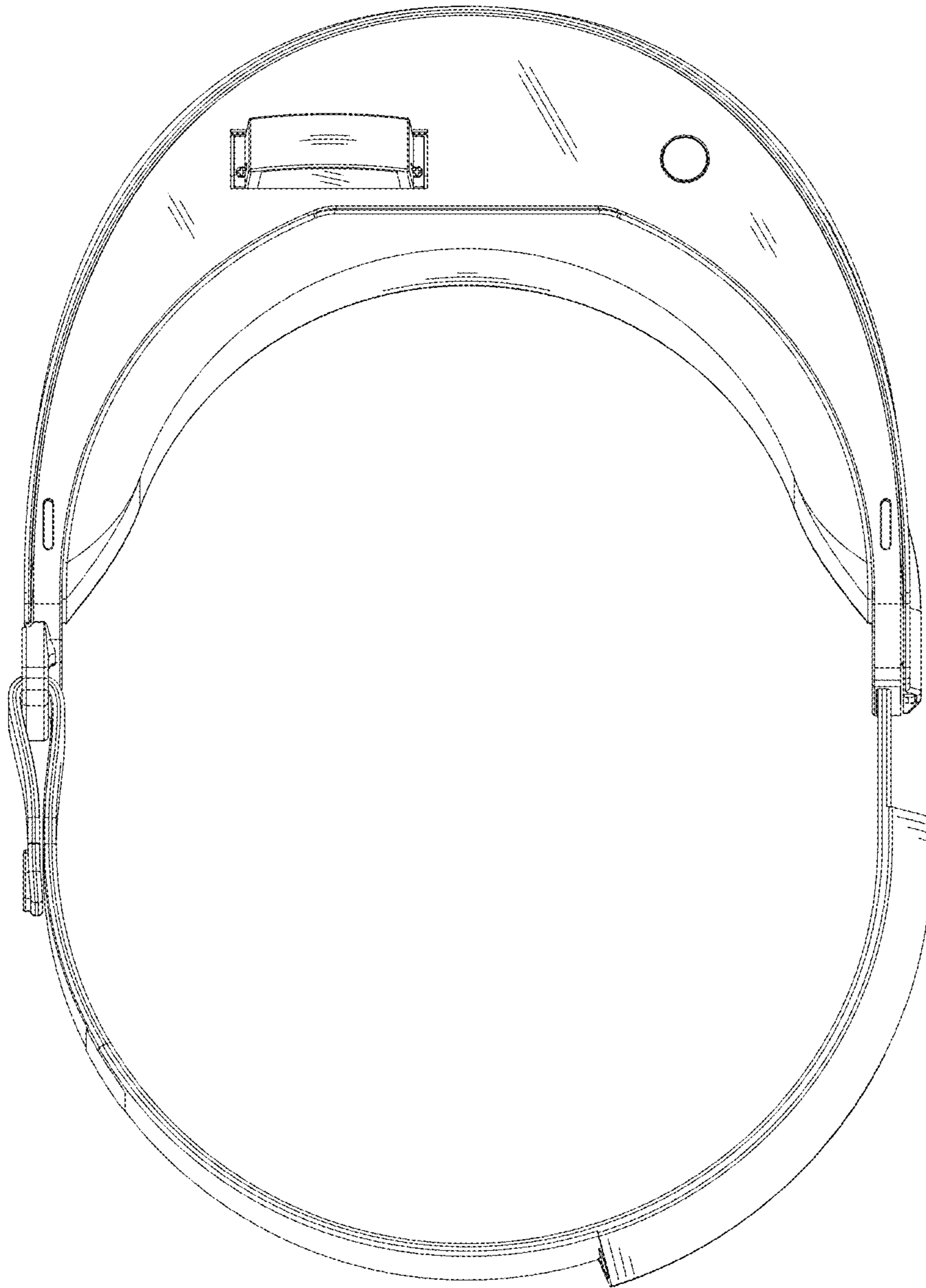


FIG. 7