



US00D900433S

(12) **United States Design Patent** (10) **Patent No.:** **US D900,433 S**
Sender (45) **Date of Patent:** **** Nov. 3, 2020**

(54) **BABY BODYSUIT WITH INTEGRATED BIB**
(71) Applicant: **Lenore S. Sender**, Miami Beach, FL (US)
(72) Inventor: **Lenore S. Sender**, Miami Beach, FL (US)
(**) Term: **15 Years**
(21) Appl. No.: **29/662,194**
(22) Filed: **Sep. 4, 2018**
(51) **LOC (12) Cl.** **02-02**
(52) **U.S. Cl.**
USPC **D2/745; D2/861; D2/860**
(58) **Field of Classification Search**
USPC D2/728, 828, 829, 719-720, 742-747, D2/752, 825, 860-861, 864
CPC A41D 3/02; A41D 3/005
See application file for complete search history.

5,504,941 A 4/1996 Sell
5,640,715 A 6/1997 Adams
5,651,140 A 7/1997 Gibson
D389,290 S * 1/1998 James D2/860
6,032,287 A 3/2000 Kailas
6,128,780 A 10/2000 Reinhart et al.
D438,365 S * 3/2001 Matrasingh D2/840
6,216,269 B1 4/2001 Smith et al.
6,237,150 B1 5/2001 Lucas
6,308,333 B1 10/2001 Jackson
6,345,392 B1 2/2002 Rios
6,408,439 B1 6/2002 Garforth-Crippen
7,032,247 B2 4/2006 Frieswick et al.
7,143,448 B1 12/2006 Gottehrer
7,269,857 B2 9/2007 Cymbol
7,409,726 B2 * 8/2008 Bahm A41B 13/10
2/111
7,444,685 B2 11/2008 Rose
(Continued)

Primary Examiner — Amy C Wierenga
(74) Attorney, Agent, or Firm — St. Onge Steward Johnston & Reens, LLC

(57) **CLAIM**

The ornamental design for a baby bodysuit with integrated bib, as shown and described.

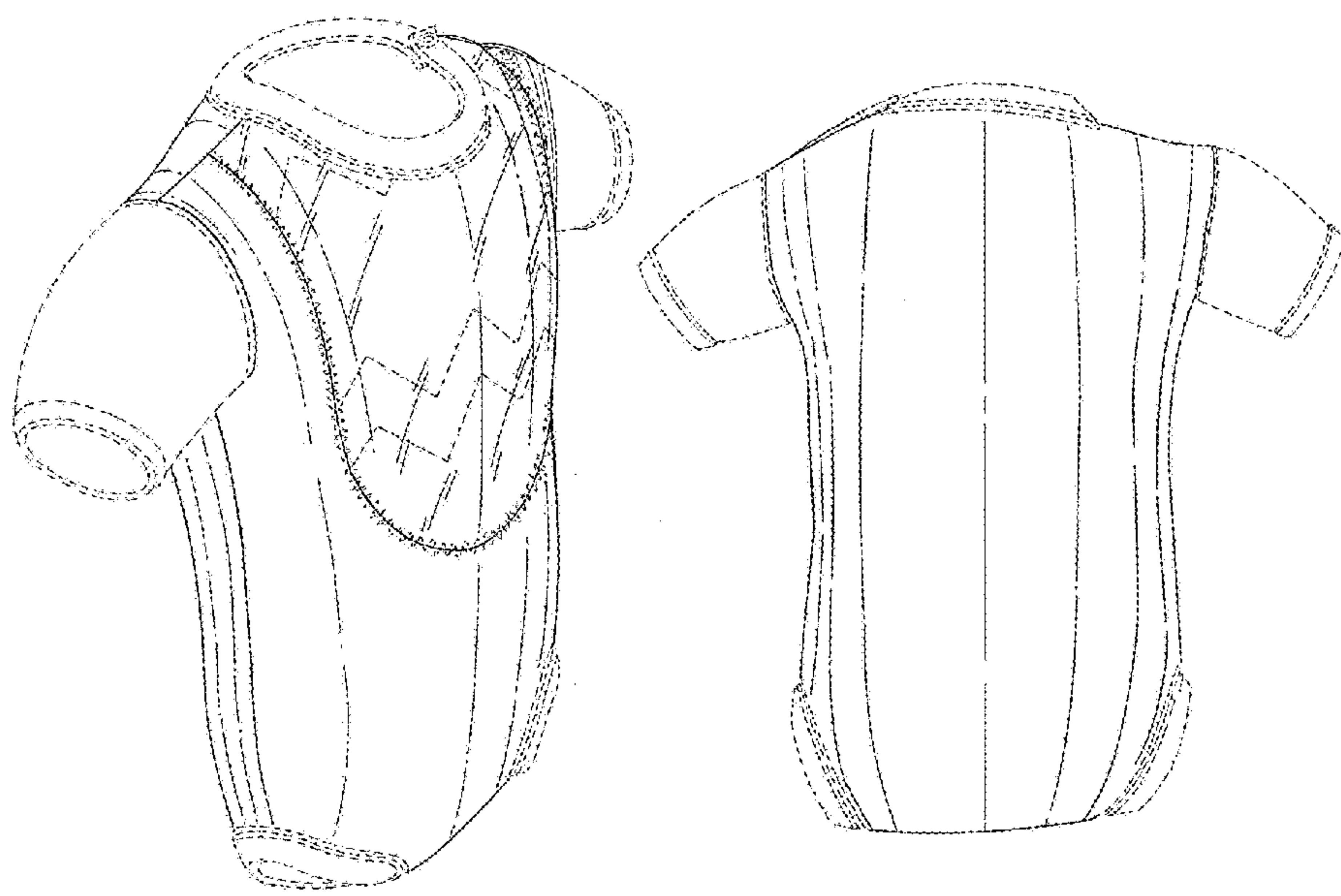
DESCRIPTION

FIG. 1 is a front isometric view of a baby bodysuit with integrated bib in accordance with the new design; FIG. 2 is a front elevational view thereof; FIG. 3 is a rear elevational view thereof; FIG. 4 is a right side elevational view thereof; FIG. 5 is a left side elevational view thereof; FIG. 6 is a top plan view thereof; and, FIG. 7 is a bottom plan view thereof. The broken lines in FIGS. 1-7 depict stitching and portions of the baby bodysuit with integrated bib that form no part of the claim.

1 Claim, 7 Drawing Sheets

(56) **References Cited**
U.S. PATENT DOCUMENTS

- 1,808,496 A 6/1931 Dillon
- 2,250,887 A 7/1941 Brown
- 2,425,635 A 8/1947 Nitzberg
- 2,568,544 A 9/1951 Head
- 2,688,750 A 9/1954 Mink
- 2,851,690 A 9/1958 Jennings
- 2,922,164 A 1/1960 Liff
- 3,404,407 A 10/1968 Lapidus
- 3,540,060 A 11/1970 Brown
- 3,608,092 A 9/1971 Taranto
- D288,021 S 2/1987 Marconi
- D288,022 S 2/1987 Marconi
- 4,884,298 A 12/1989 Silas
- 4,924,527 A 5/1990 Hintermeyer
- 5,054,124 A 10/1991 Darvas
- 5,153,940 A 10/1992 Bergquist
- 5,454,119 A 10/1995 Thomm
- 5,490,289 A 2/1996 Lehrer



(56)

References Cited

U.S. PATENT DOCUMENTS

D582,126	S	12/2008	Lesperance	
7,526,815	B1	5/2009	Kelly	
D699,926	S *	2/2014	Sakanishi	D2/864
D712,628	S *	9/2014	Lefkowitz	D2/745
D742,097	S *	11/2015	Dunn	D2/745
D809,249	S *	2/2018	Hanosek	D2/743
D854,281	S *	7/2019	Myers	D2/745
D863,729	S *	10/2019	Wilson	D2/745
2002/0098312	A1	7/2002	Sloot	
2005/0235394	A1	10/2005	Pew	
2006/0010558	A1	1/2006	Prater	
2006/0026728	A1	2/2006	Shaw	
2006/0026729	A1	2/2006	Rothschild	
2006/0090249	A1	5/2006	Rodriguez et al.	
2007/0006357	A1	1/2007	Hall	
2007/0143904	A1	6/2007	Brown	
2007/0192923	A1	8/2007	Bahm et al.	
2007/0192924	A1	8/2007	Bahm et al.	
2007/0250978	A1	11/2007	Peterson	
2007/0250979	A1	11/2007	Han	
2007/0277280	A1	12/2007	Kelly	
2008/0250541	A1	10/2008	Chen	
2009/0019615	A1	1/2009	Young	
2009/0229033	A1 *	9/2009	Mertz	A41B 13/10 2/69
2010/0122390	A1	5/2010	Sender	
2014/0250558	A1 *	9/2014	Russo	A41B 13/10 2/49.4
2015/0101100	A1 *	4/2015	Flowers	A41B 13/06 2/69.5

* cited by examiner

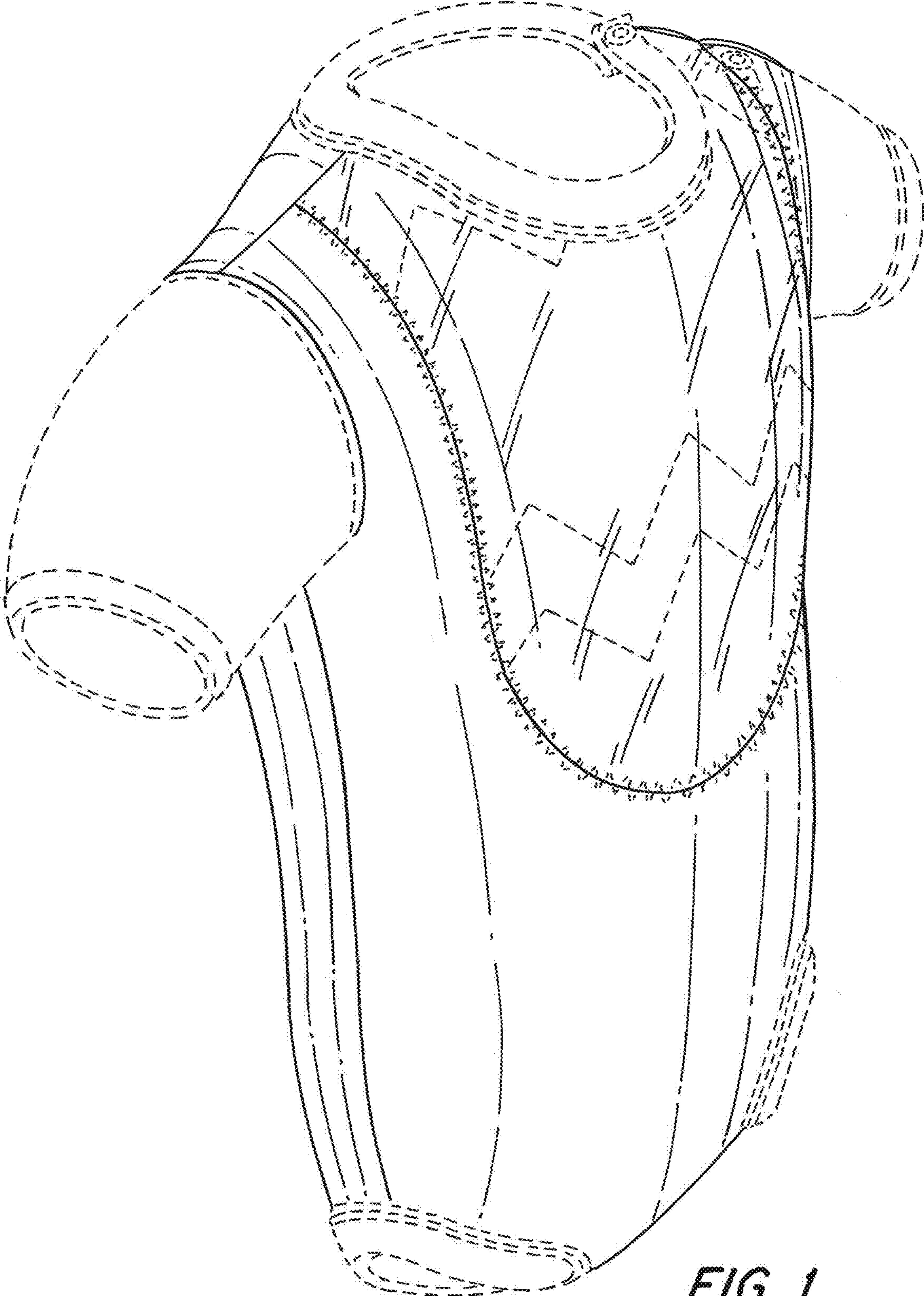


FIG. 1

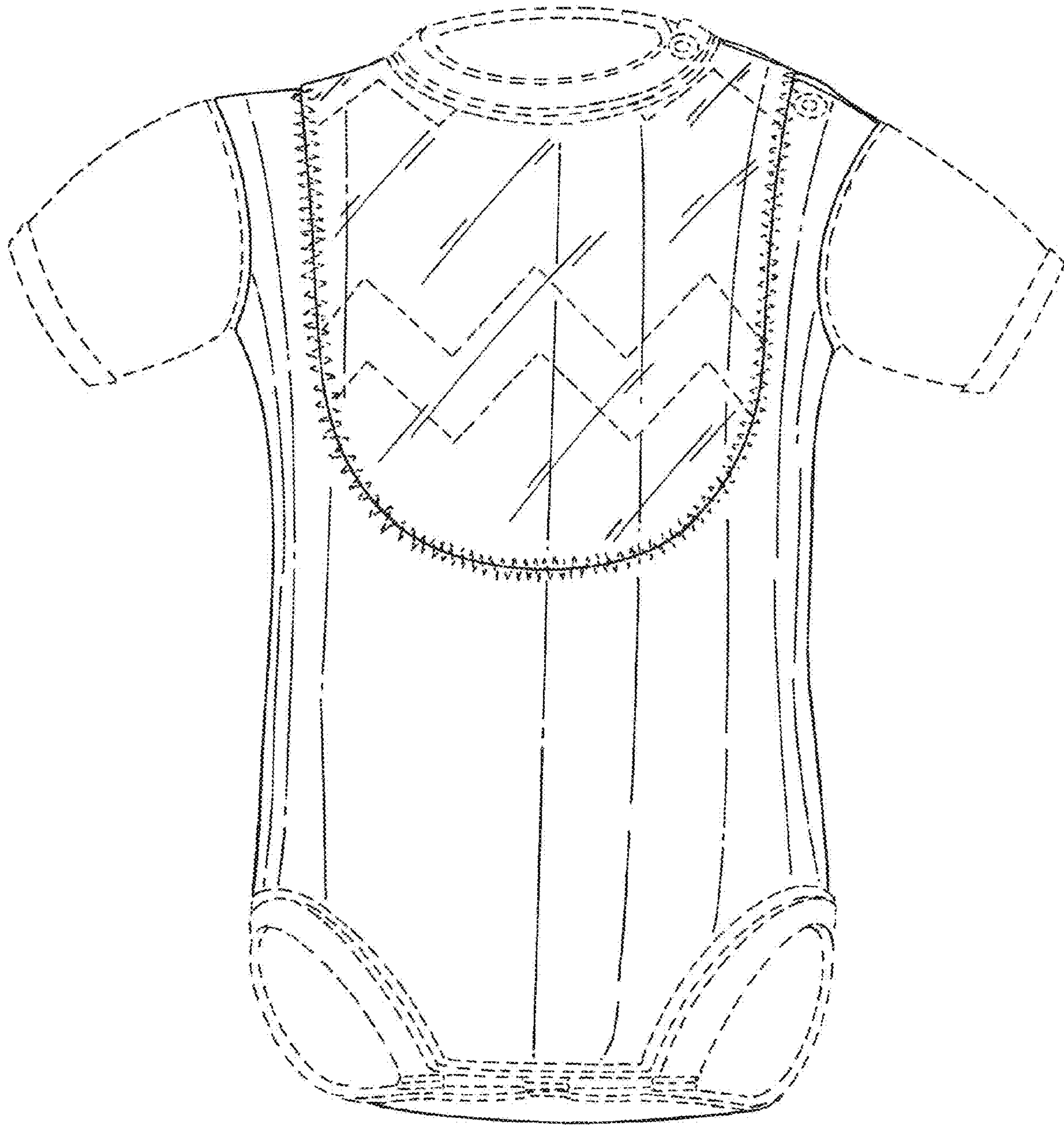


FIG. 2

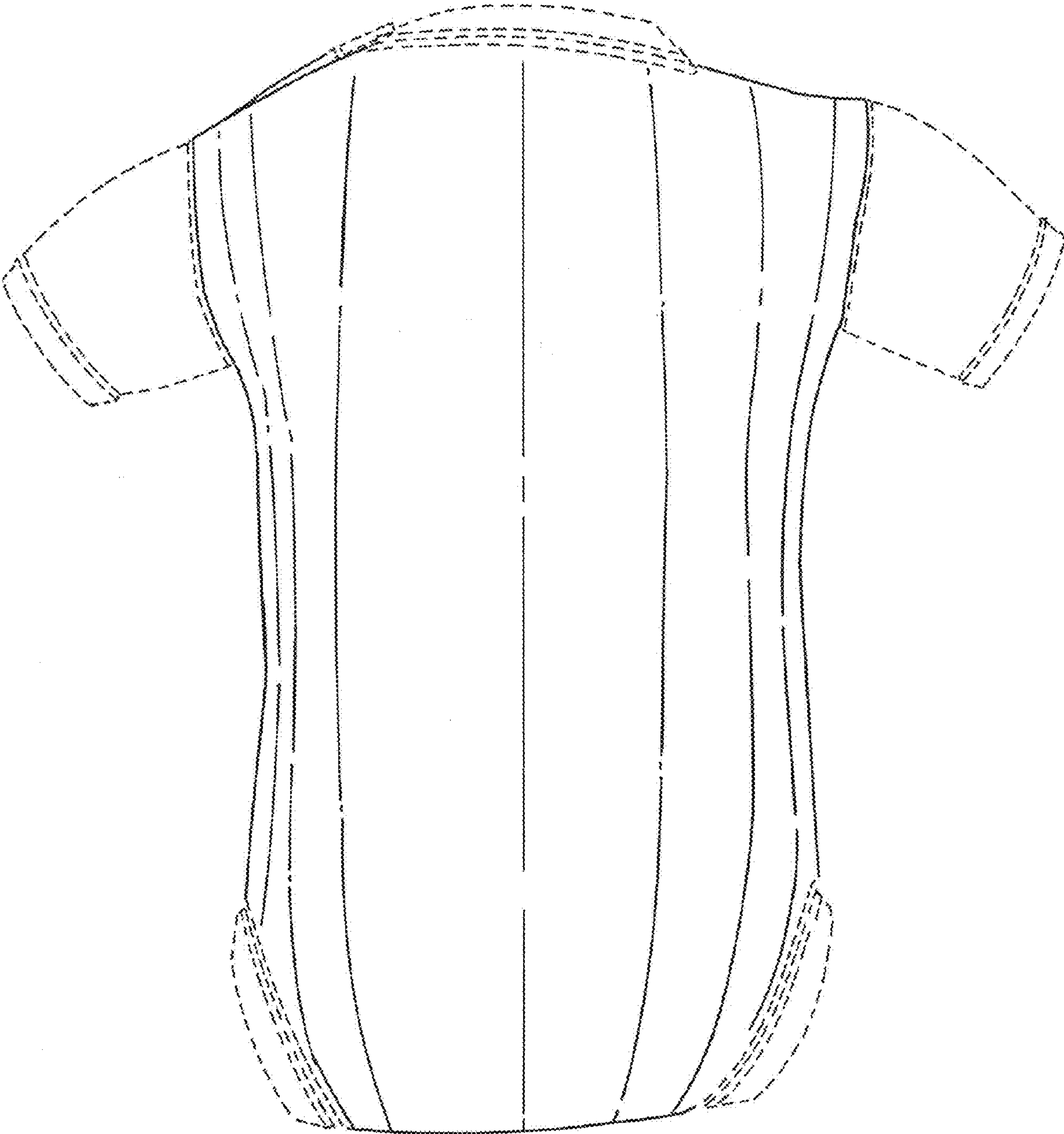


FIG. 3

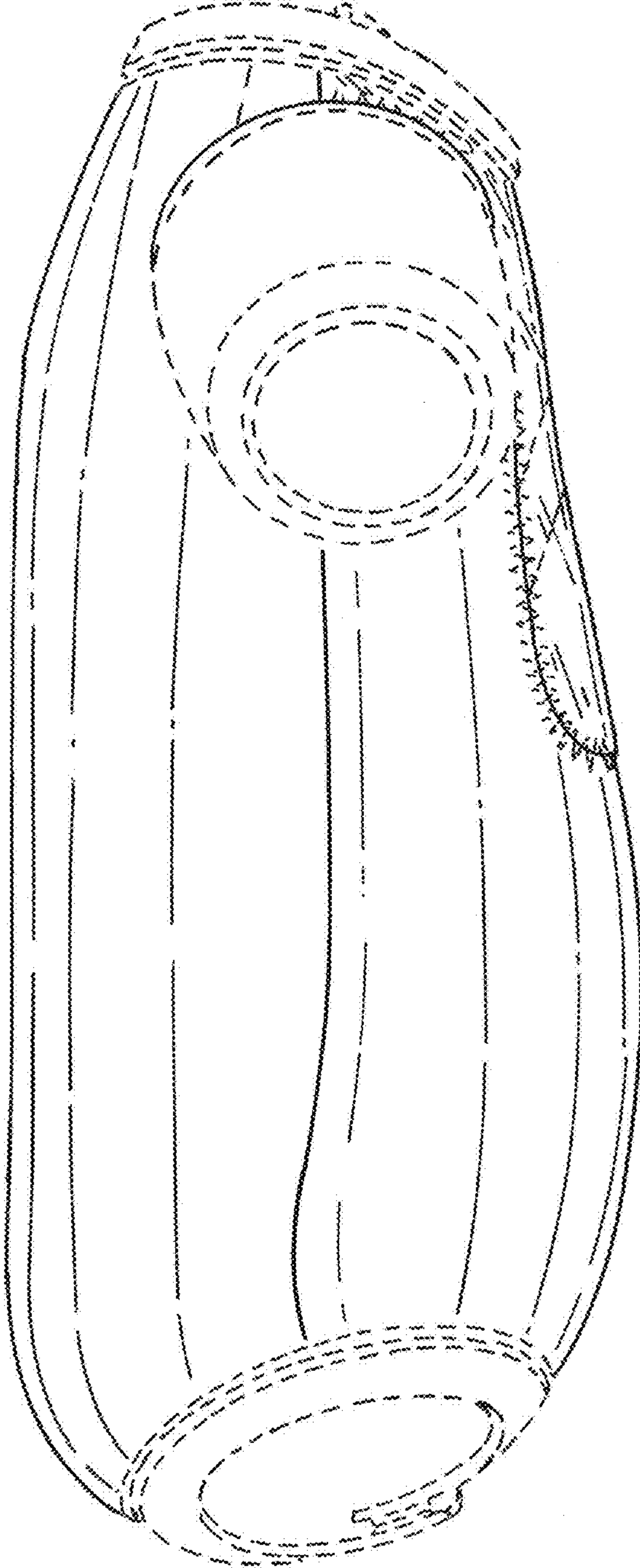


FIG. 4

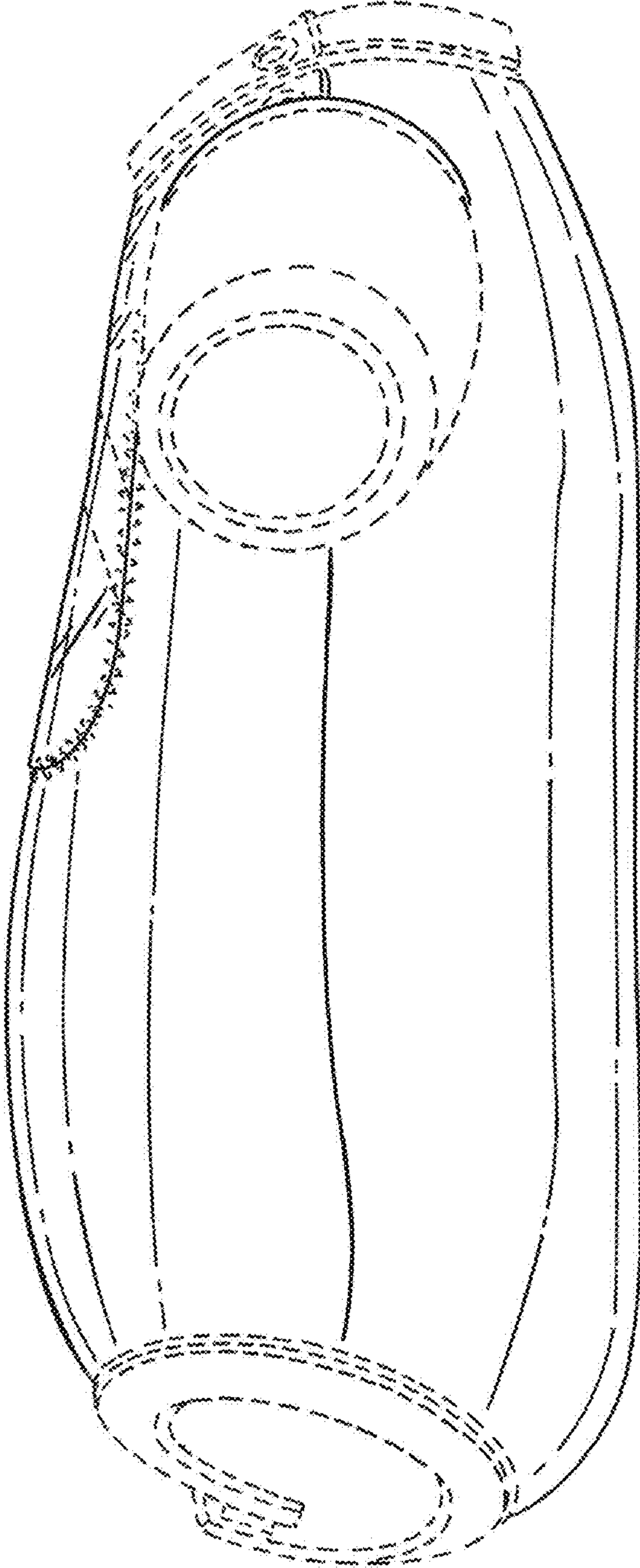


FIG. 5

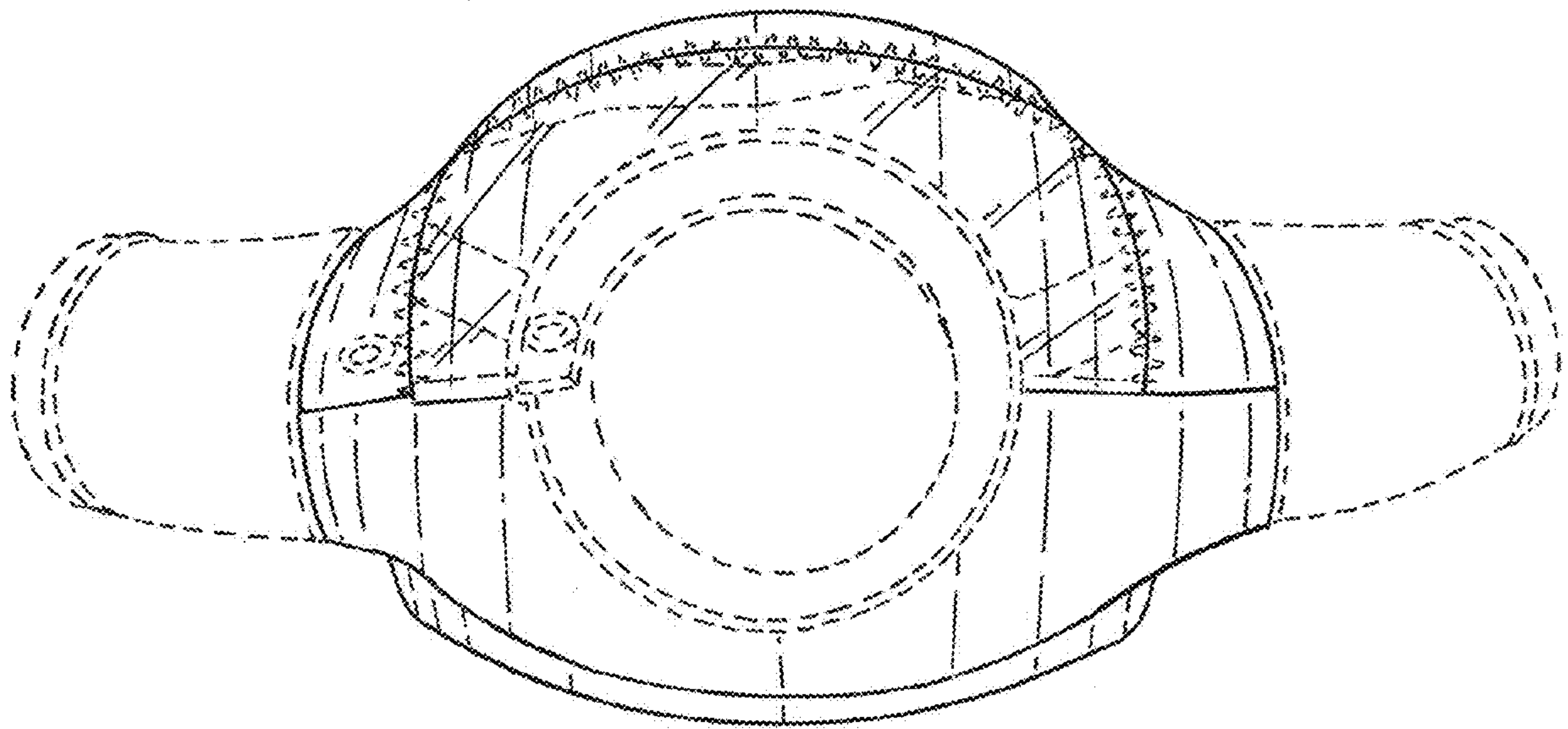


FIG. 6

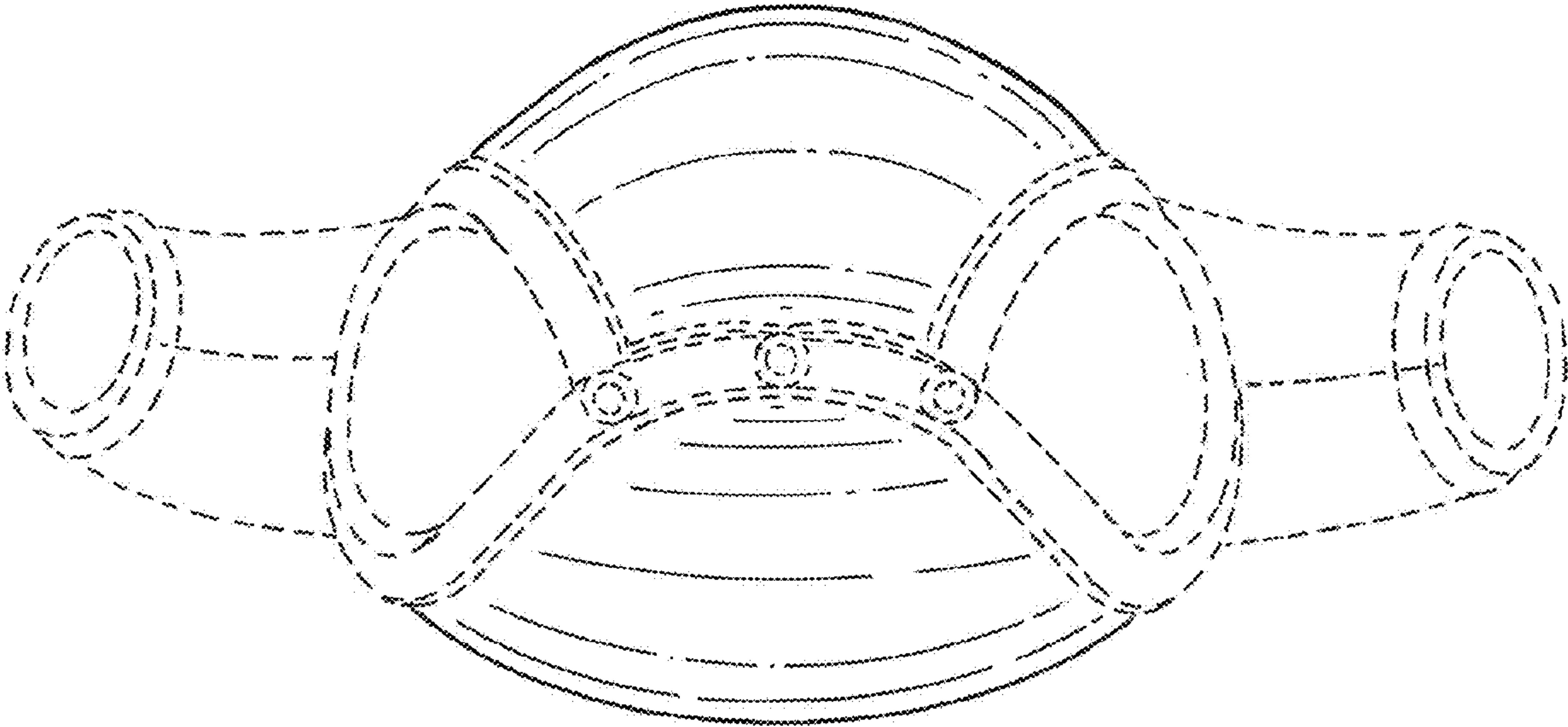


FIG. 7