



US00D900422S

(12) **United States Design Patent**  
**Joseph**

(10) **Patent No.:** **US D900,422 S**

(45) **Date of Patent:** **\*\* Oct. 27, 2020**

(54) **COMPOSTER**

(71) Applicant: **JOSEPH JOSEPH, LTD.**, London (GB)

(72) Inventor: **Antony Joseph**, London (GB)

(73) Assignee: **JOSEPH JOSEPH, LTD.**, London (GB)

(\*\*) Term: **15 Years**

(21) Appl. No.: **29/680,424**

(22) Filed: **Feb. 15, 2019**

(30) **Foreign Application Priority Data**

Aug. 17, 2018 (EM) ..... 005612140

(51) **LOC (12) Cl.** ..... **09-09**

(52) **U.S. Cl.**  
USPC ..... **D34/7**

(58) **Field of Classification Search**  
USPC ..... D34/4, 5, 6, 7, 10, 11, 12, 13, 14;  
D6/330, 335, 601, 582, 686; D29/121.1  
CPC ..... B65F 1/16; B65F 1/1607; B65F 1/1615;  
B65F 1/004; B65F 2003/003; B65D  
21/0209; B65D 88/121; B65D 43/02;  
Y10S 220/908

See application file for complete search history.

(56) **References Cited**

**U.S. PATENT DOCUMENTS**

D644,389 S \* 8/2011 Roberts ..... D34/7  
D722,735 S \* 2/2015 Del Rosario Roy ..... D34/8  
D734,643 S \* 7/2015 Boroski ..... D7/605  
D806,974 S \* 1/2018 Lloyd ..... D34/7

D842,573 S \* 3/2019 Smeets ..... D34/9  
2010/0193534 A1 \* 8/2010 Roberts ..... B65F 1/02  
220/810  
2013/0105486 A1 \* 5/2013 Mashburn ..... B65F 7/00  
220/495.06  
2014/0238989 A1 \* 8/2014 Wang ..... B65F 1/163  
220/264

**OTHER PUBLICATIONS**

Joseph Joseph Compost Bin, review dating back to Feb. 12, 2017 [online], [site visited Apr. 30, 2020]. Available from internet, URL: <https://www.amazon.com/Joseph-30046-Easy-Fill-Compost-Adjustable/dp/B07KKR731S> (Year: 2017).\*

\* cited by examiner

*Primary Examiner* — George A Bugg

*Assistant Examiner* — Tamara L Hahn

(74) *Attorney, Agent, or Firm* — Millen, White, Zelano & Branigan, PC; Ryan Pool

(57) **CLAIM**

The ornamental design for a composter, as shown and described.

**DESCRIPTION**

FIG. 1 is a front perspective view of the composter showing my new design.

FIG. 2 is a front view thereof.

FIG. 3 is a back view thereof.

FIG. 4 is a side view thereof.

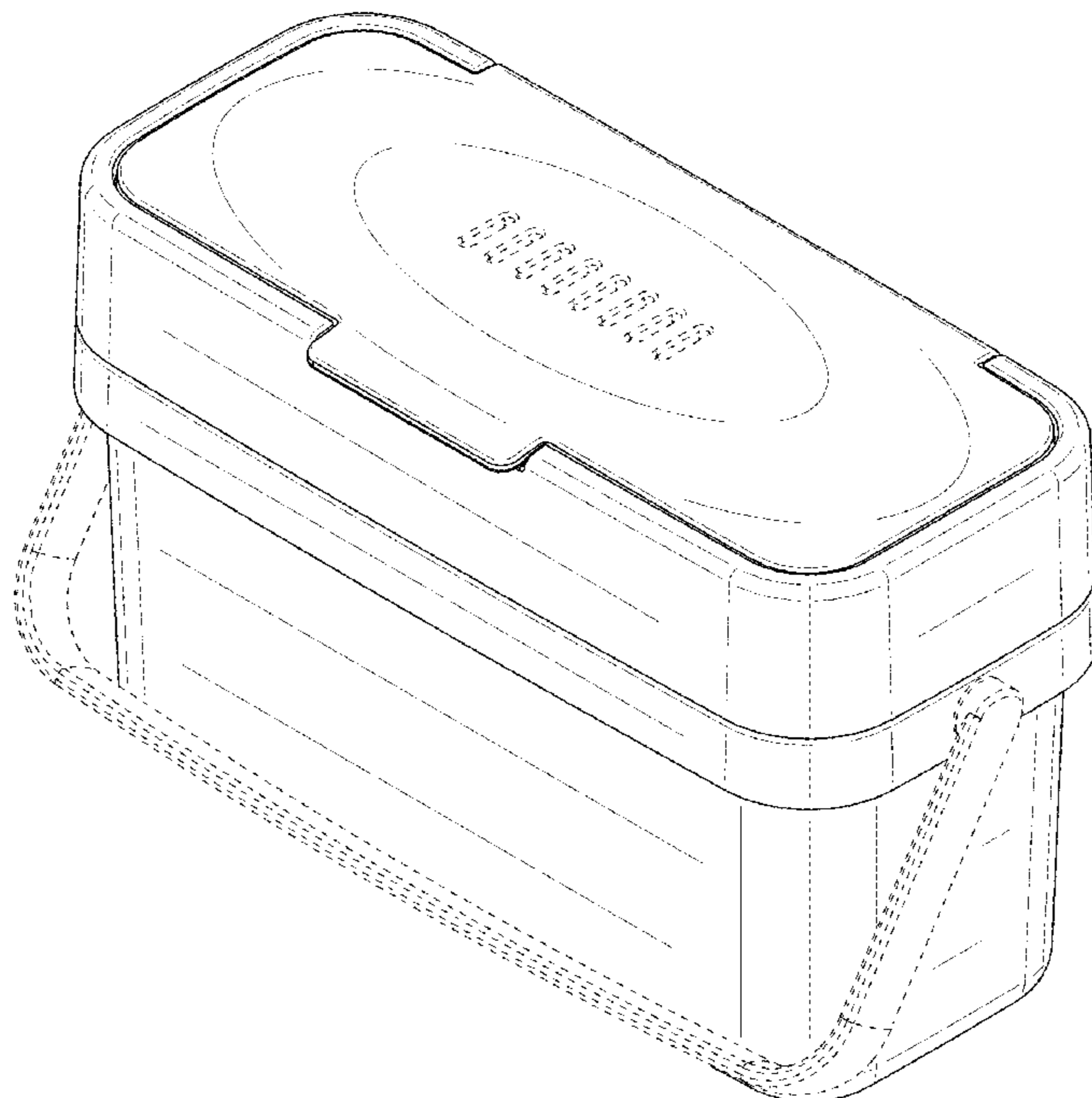
FIG. 5 is another side view thereof.

FIG. 6 is a top view thereof; and,

FIG. 7 is a bottom view thereof.

The broken lines in the drawings illustrate portions of the composter which form no part of the claimed design.

**1 Claim, 7 Drawing Sheets**



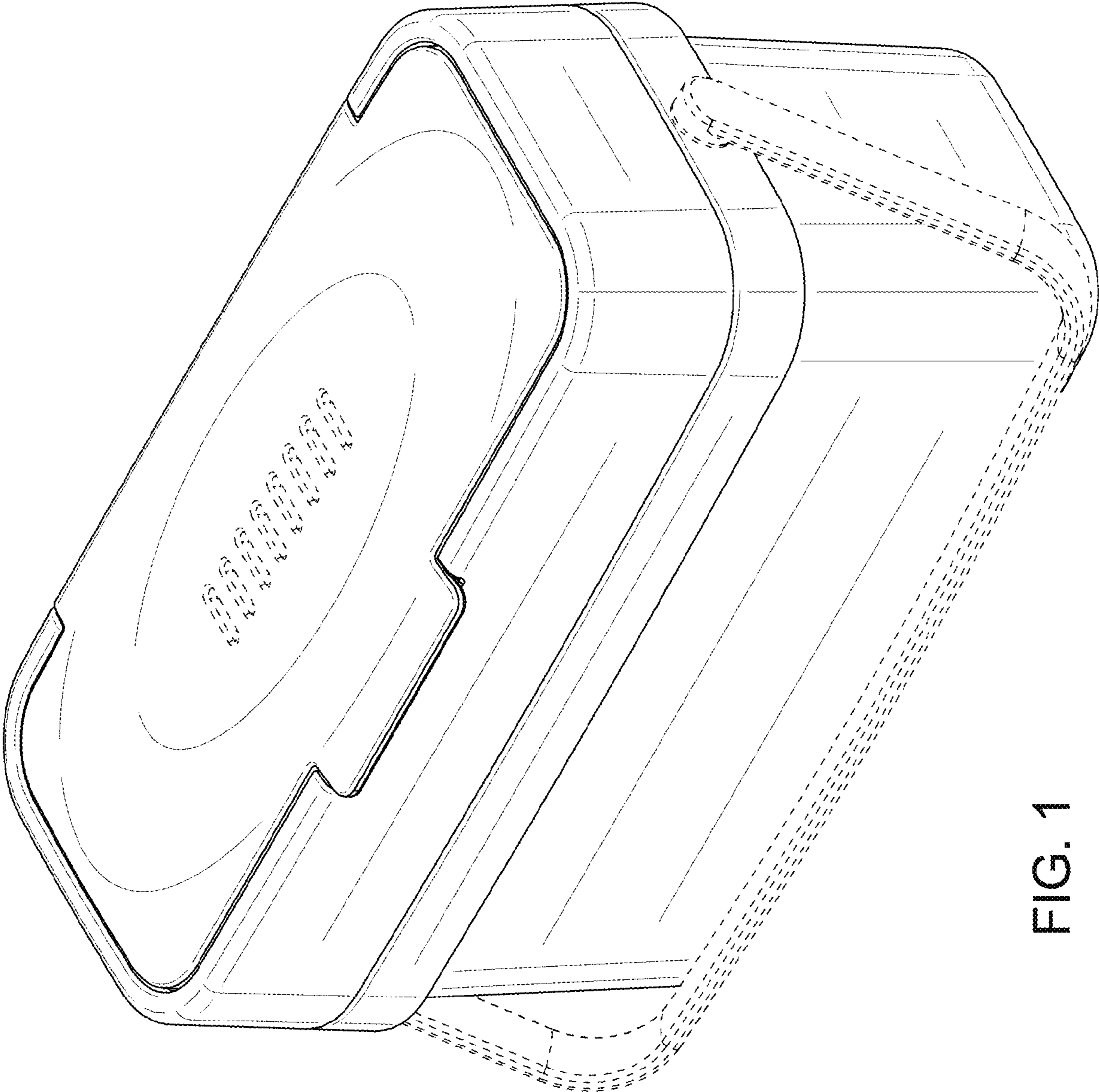


FIG. 1

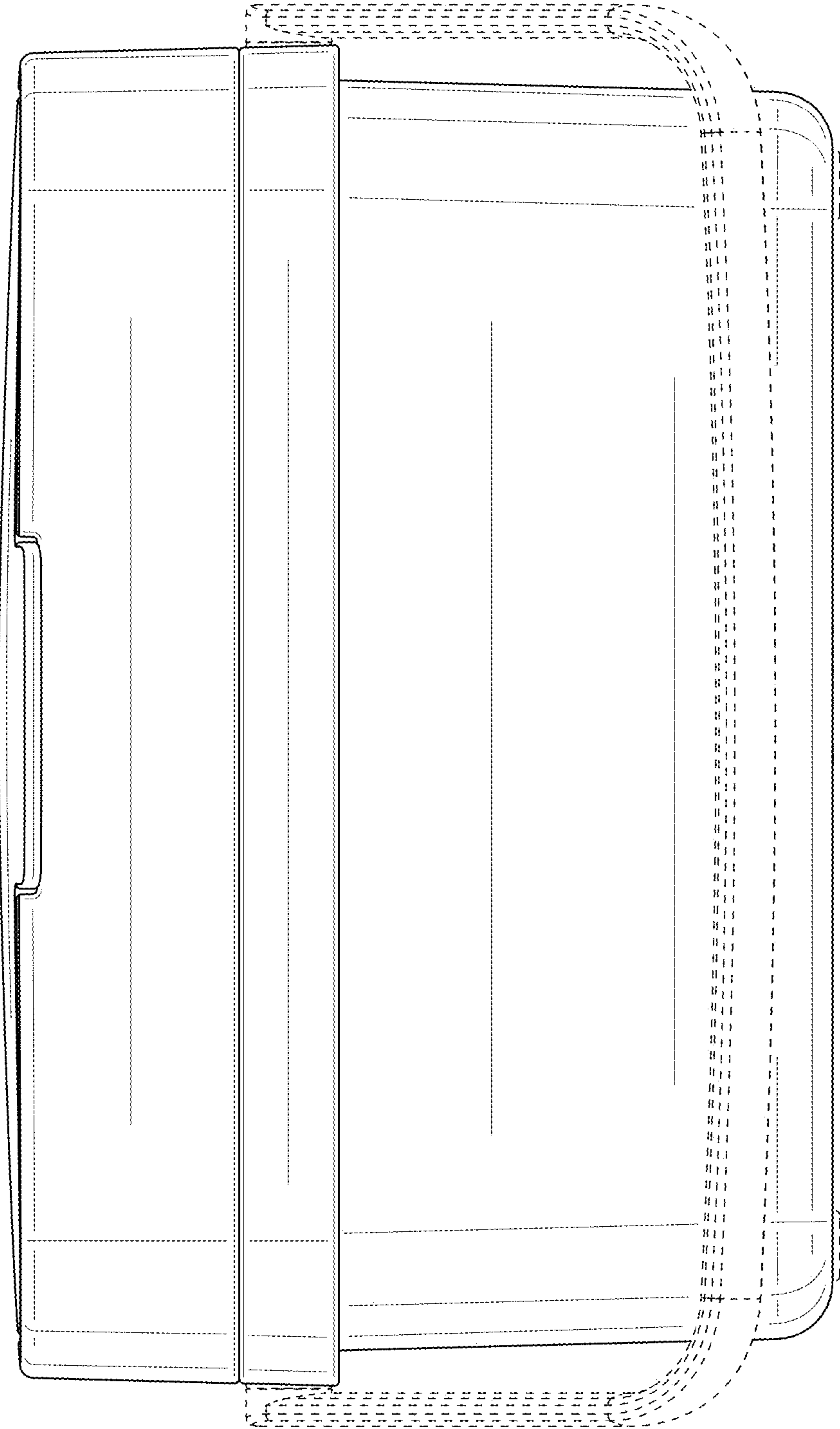


FIG. 2

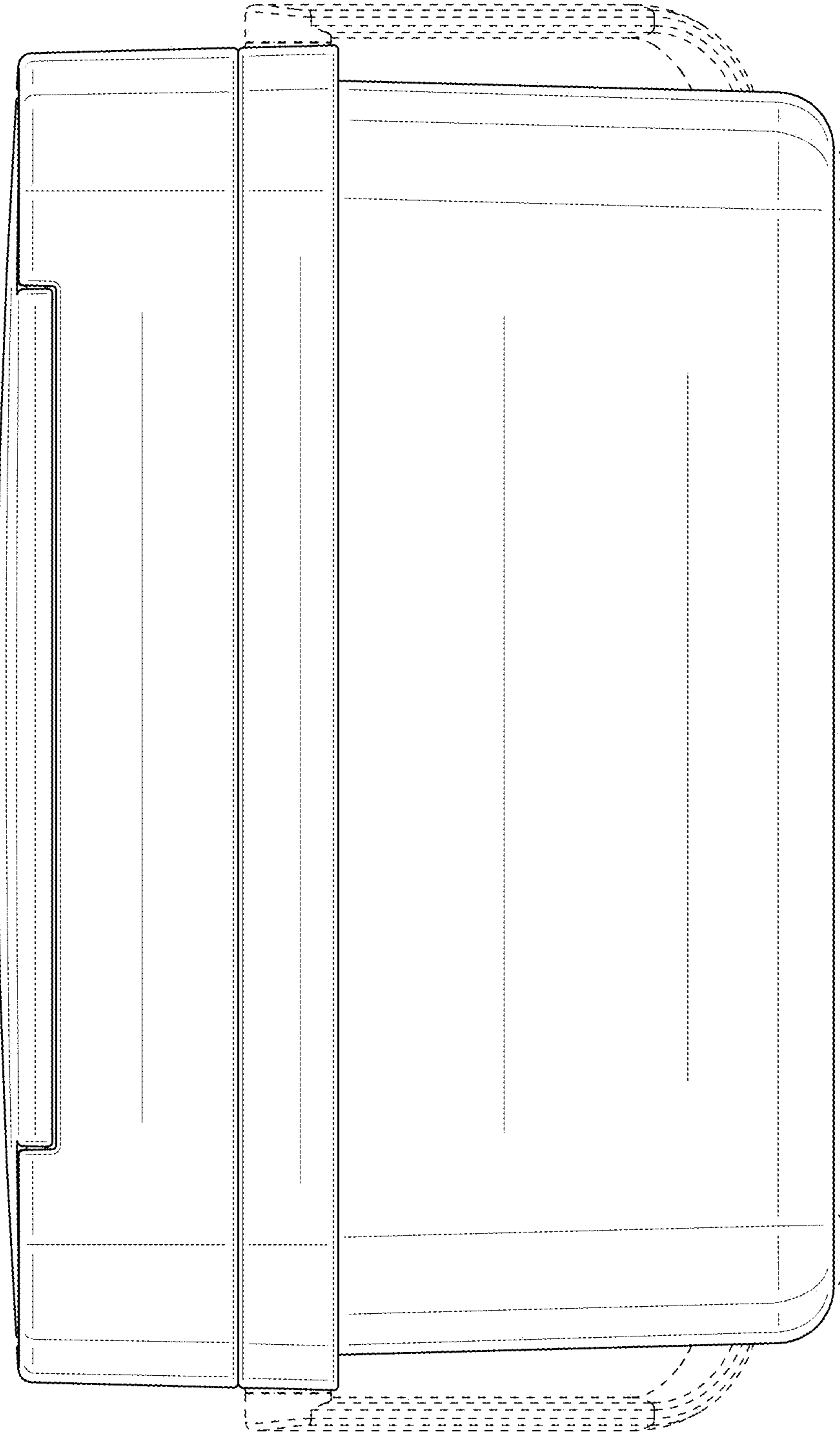


FIG. 3

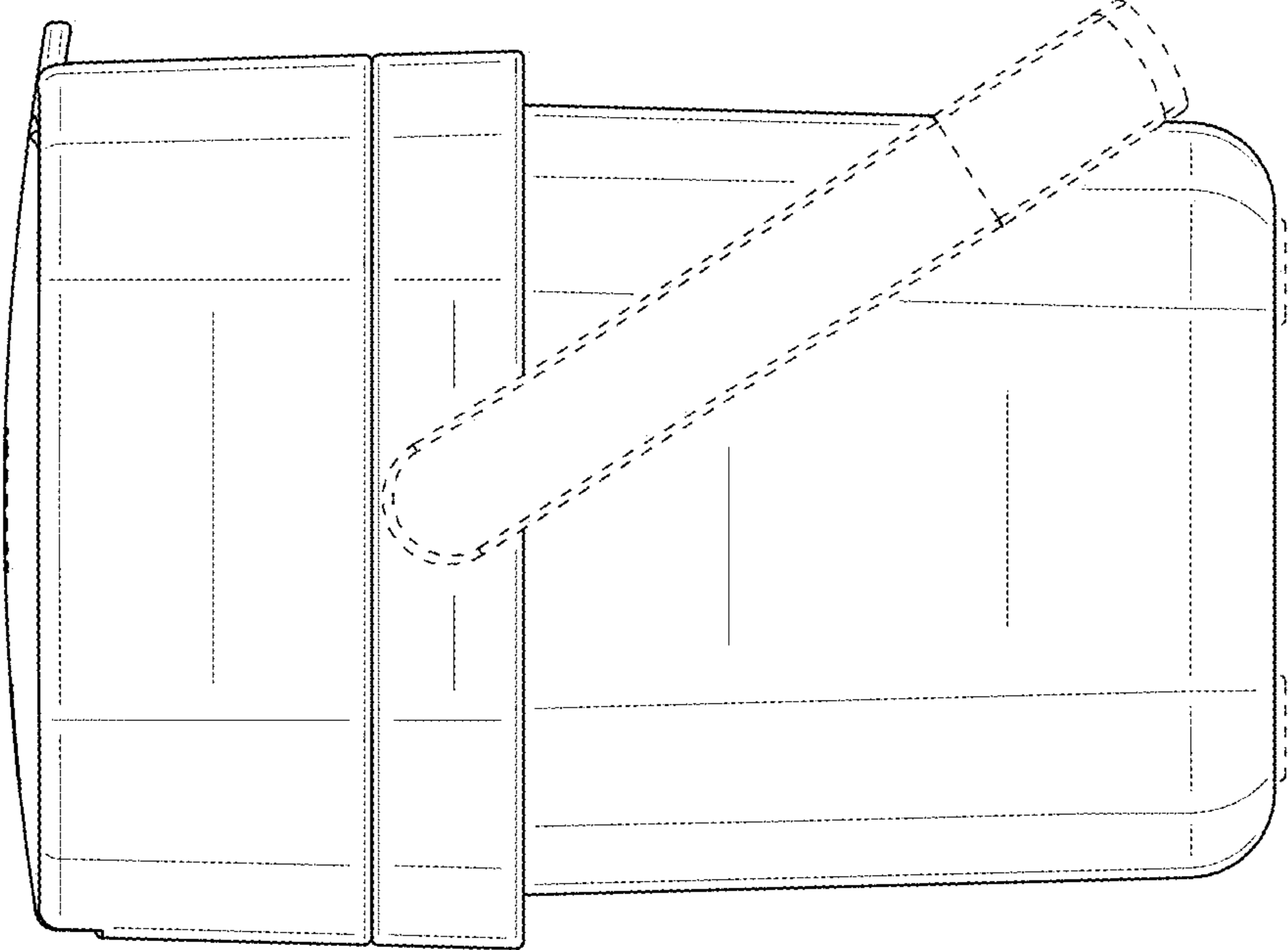


FIG. 4

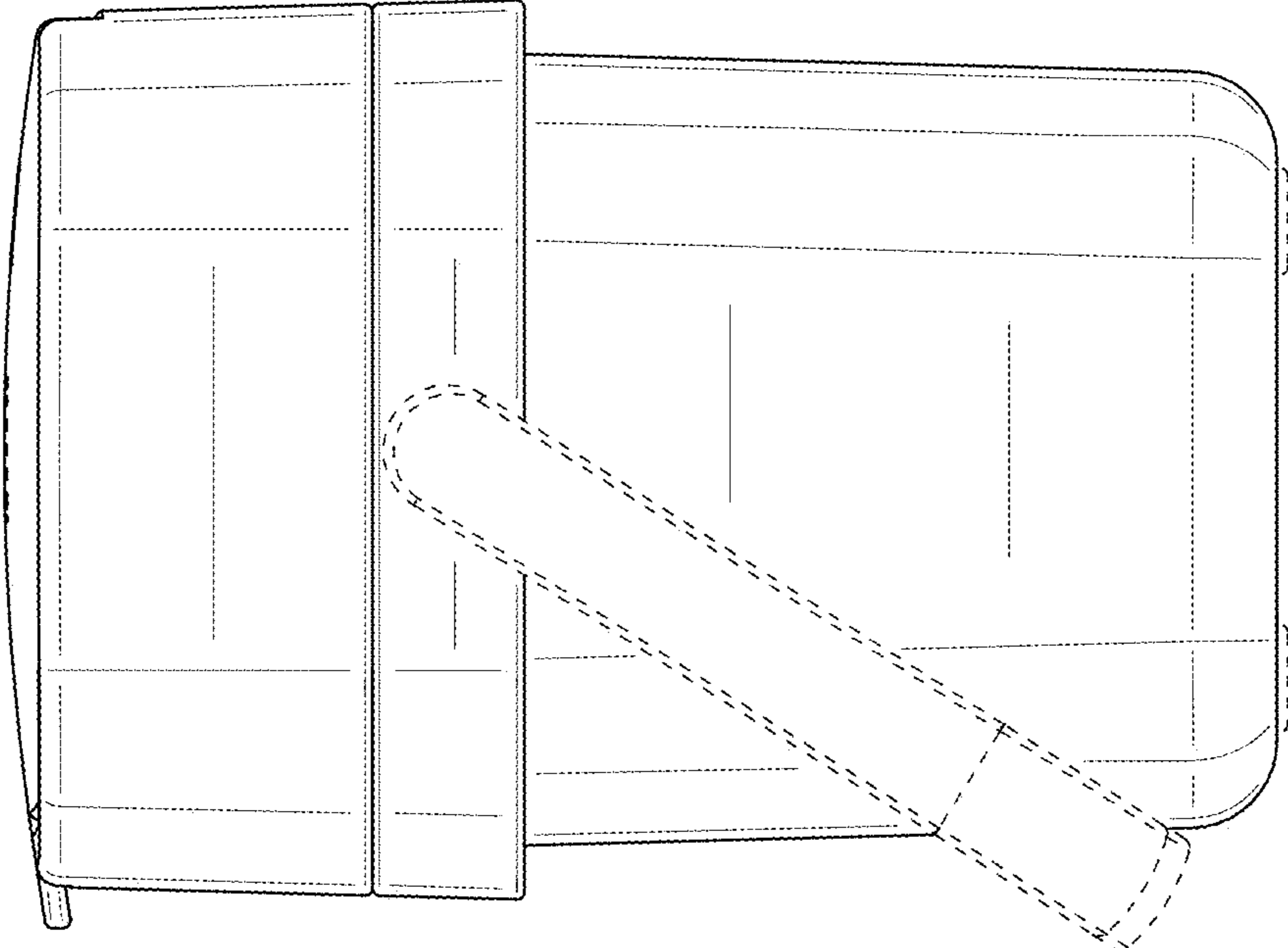


FIG. 5

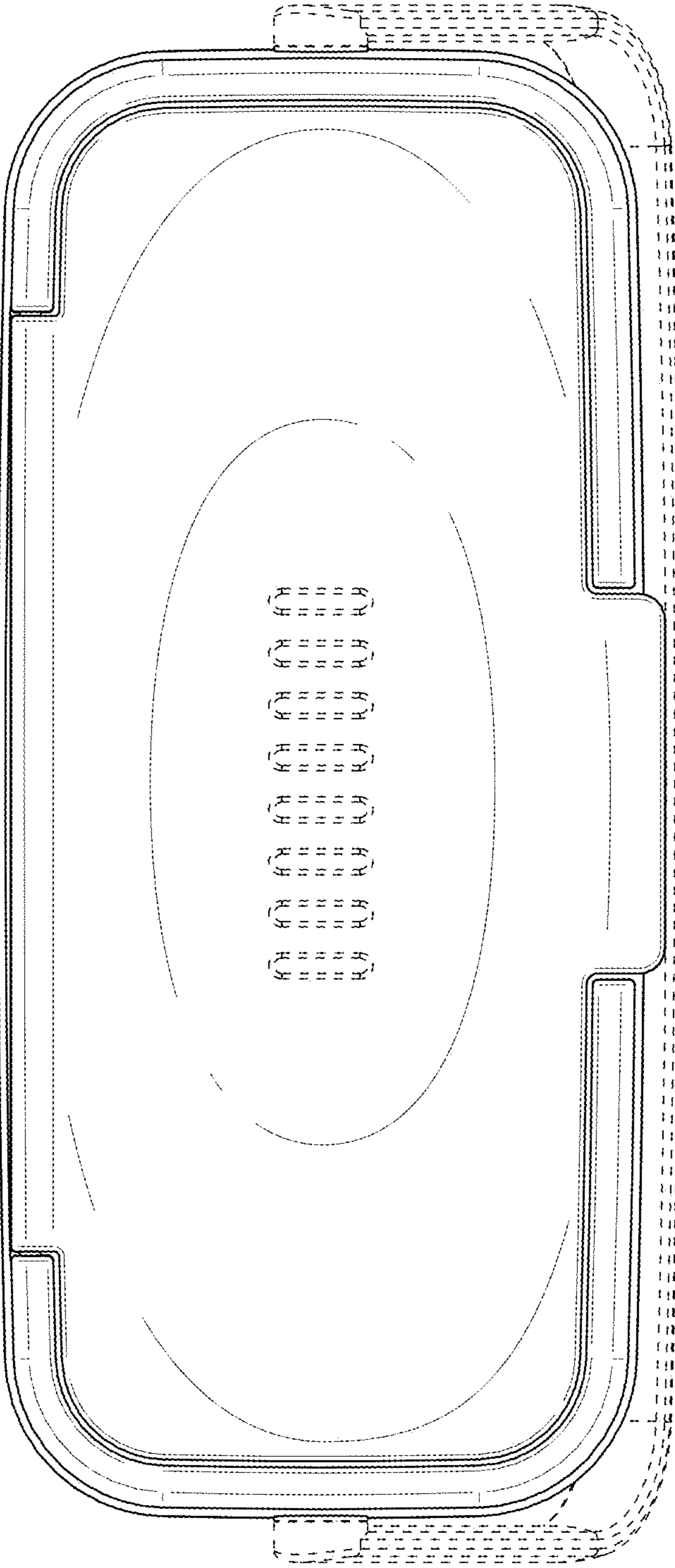


FIG. 6

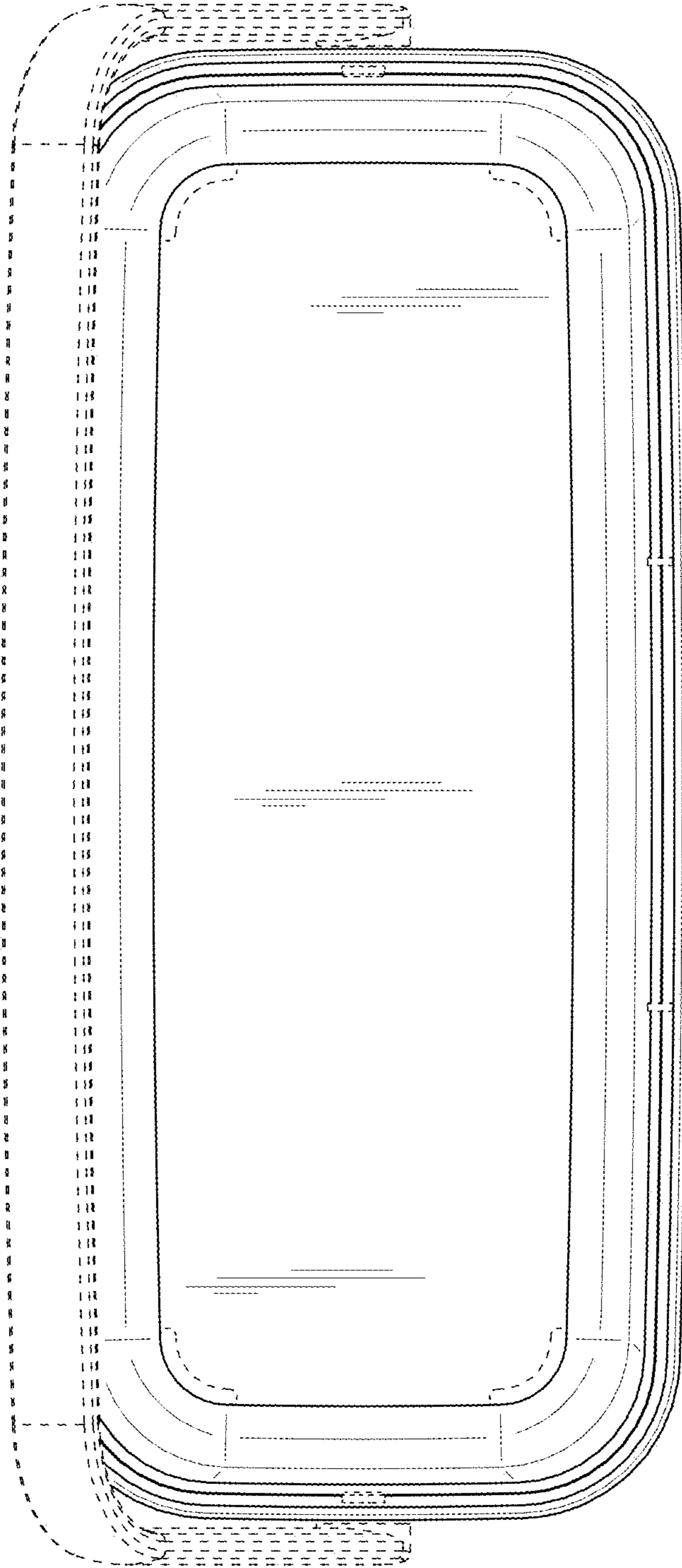


FIG. 7