



US00D900420S

(12) **United States Design Patent**
Roschi

(10) **Patent No.:** **US D900,420 S**

(45) **Date of Patent:** **** Oct. 27, 2020**

- (54) **HEAD OF A VACUUM CLEANER**
- (71) Applicant: **NEW HERMES EUROPE S.r.L.**, Crosio della Valle (VA) (IT)
- (72) Inventor: **Riccardo Roschi**, Crosio della Valle (IT)
- (73) Assignee: **NEW HERMES EUROPE S.r.L.**, Crosio Della Valle (VA) (IT)

D649,725 S *	11/2011	Fjellman	D32/32
D672,103 S	12/2012	Dyson		
D741,559 S	10/2015	Marsden		
D770,711 S *	11/2016	Okada	D32/32
D775,443 S	12/2016	Kwoon		
D787,766 S	5/2017	Nam		
D789,007 S	6/2017	Jang		
D796,136 S	8/2017	Reynolds		
D807,603 S *	1/2018	Roschi	D32/32

(**) Term: **15 Years**

(21) Appl. No.: **29/635,291**

(22) Filed: **Jan. 30, 2018**

(30) **Foreign Application Priority Data**

Aug. 3, 2017 (EM) 004131845

(51) **LOC (12) Cl.** **15-05**

(52) **U.S. Cl.**
USPC **D32/32**

(58) **Field of Classification Search**
USPC D32/31-34, 22; 15/415.1
CPC A47L 9/02; A47L 9/04; A47L 9/06; A47L 9/0461; A47L 9/325; A47L 5/362; A47L 5/365; A47L 5/30; A47L 5/36; A47L 5/28; A47L 5/32; A47L 11/4044; A47L 11/302

See application file for complete search history.

(56) **References Cited**

U.S. PATENT DOCUMENTS

D456,967 S	5/2002	Santiago		
D457,696 S *	5/2002	Worwag	D32/32
D507,854 S *	7/2005	Kim	D32/32

FOREIGN PATENT DOCUMENTS

JP D1581451 7/2017

OTHER PUBLICATIONS

Japanese Notice of List of References mailed May 15, 2018 in JP design application 2018-001065.

* cited by examiner

Primary Examiner — Michael A. Pratt
(74) *Attorney, Agent, or Firm* — Nixon & Vanderhye P.C.

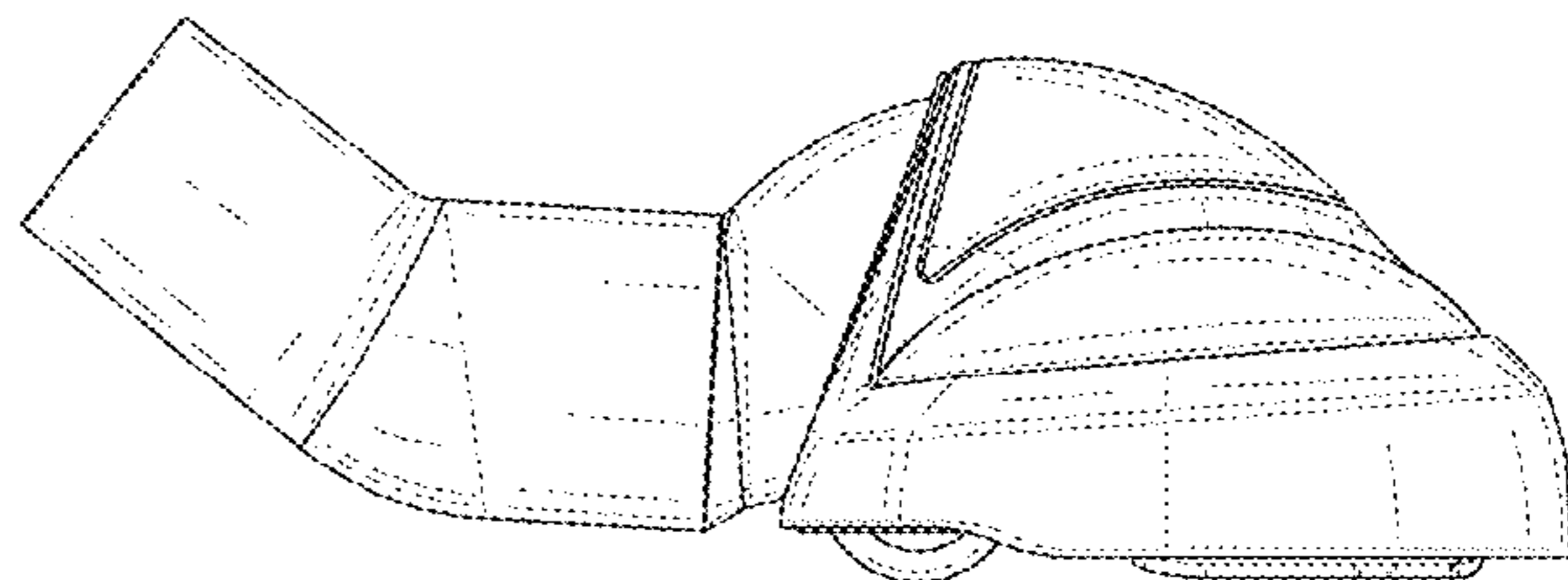
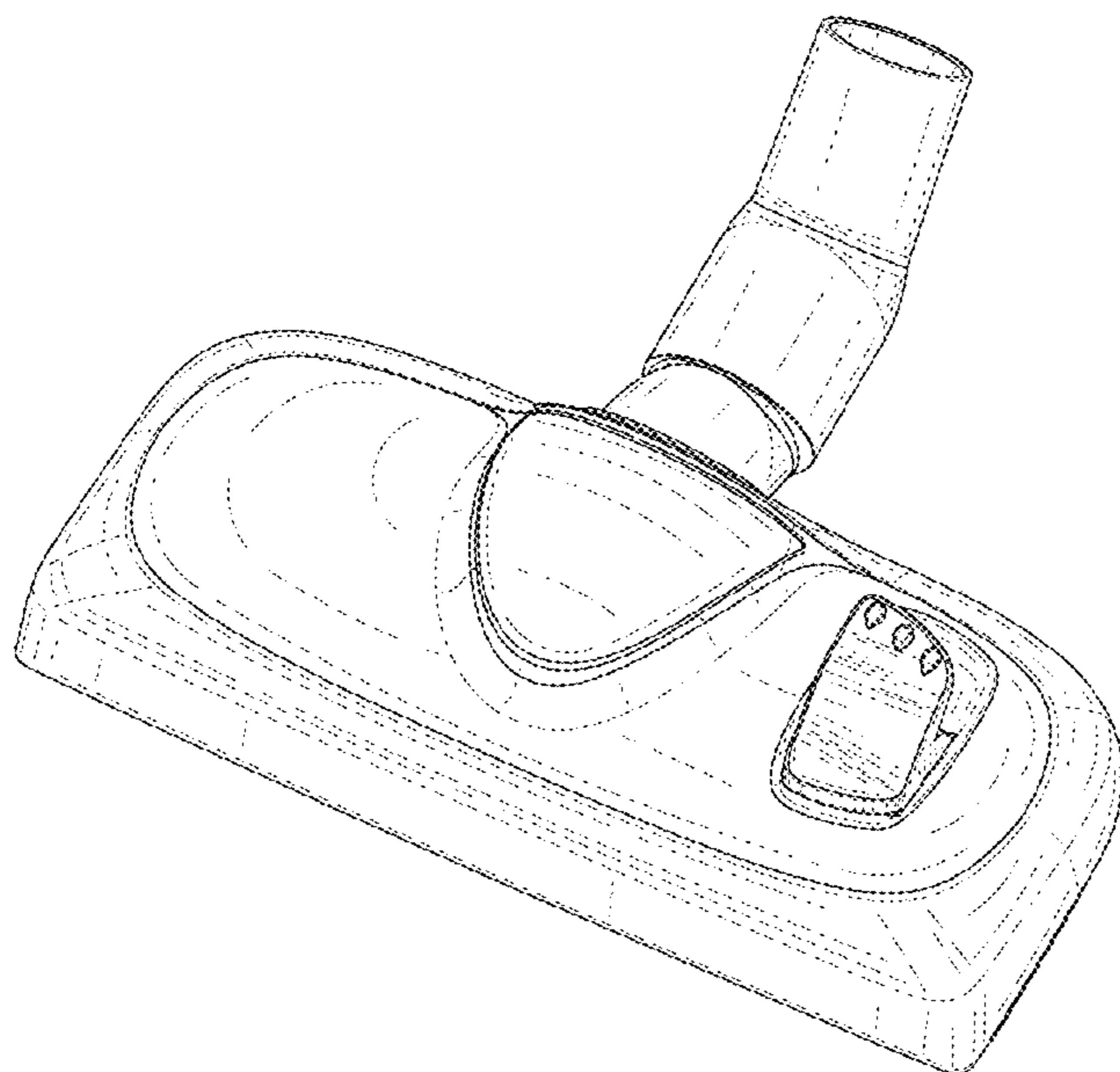
(57) **CLAIM**

The ornamental design for a head of a vacuum cleaner, as shown and described.

DESCRIPTION

FIG. 1 is a front, right, top perspective view of a head of a vacuum cleaner in accordance with my new design; FIG. 2 is a front elevation view thereof; FIG. 3 is a back elevation view thereof; FIG. 4 is a left side elevation view thereof; FIG. 5 is a right side elevation view thereof; FIG. 6 is a top plan view thereof; and, FIG. 7 is a bottom plan view thereof.

1 Claim, 6 Drawing Sheets



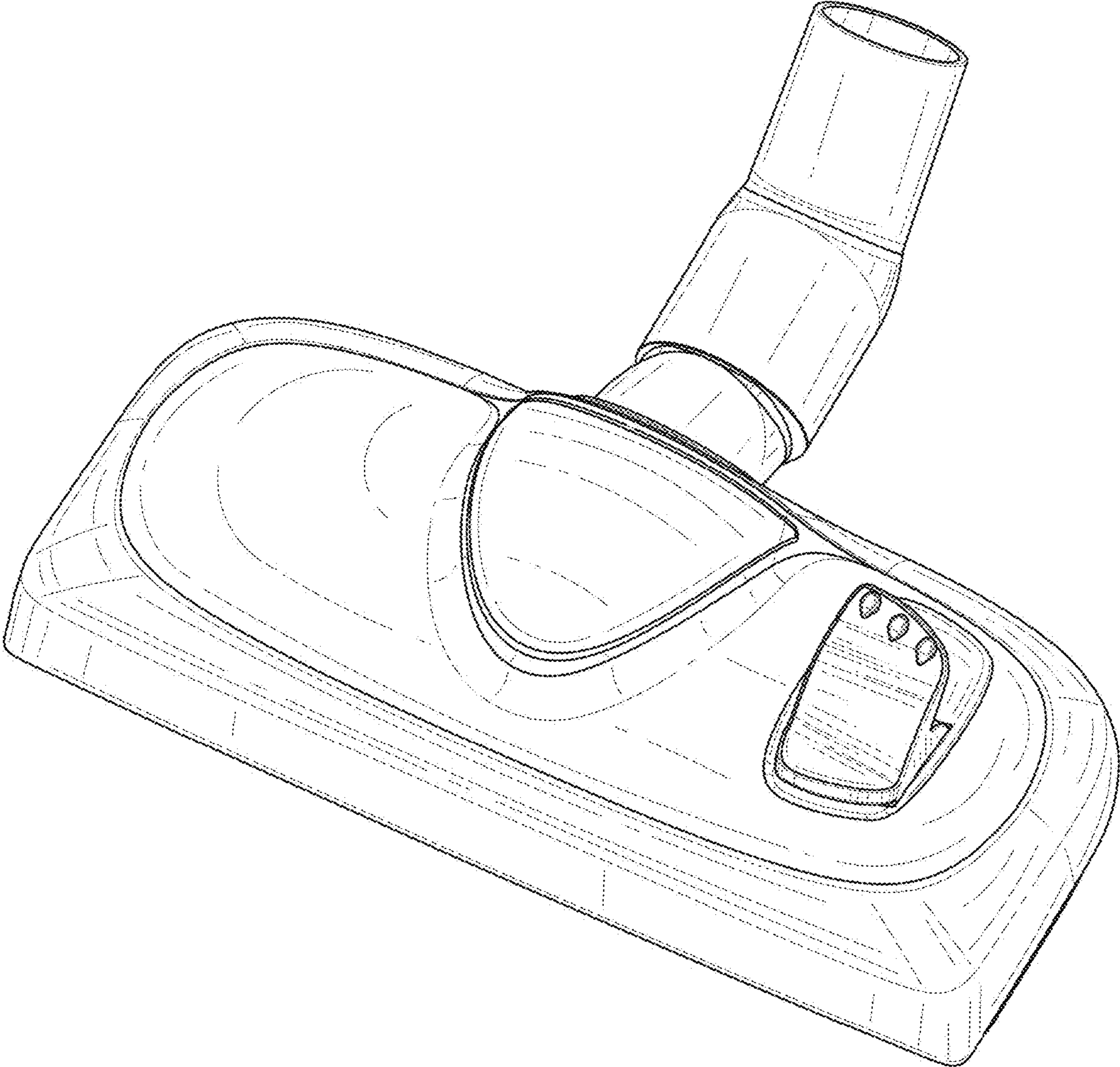


FIG. 1

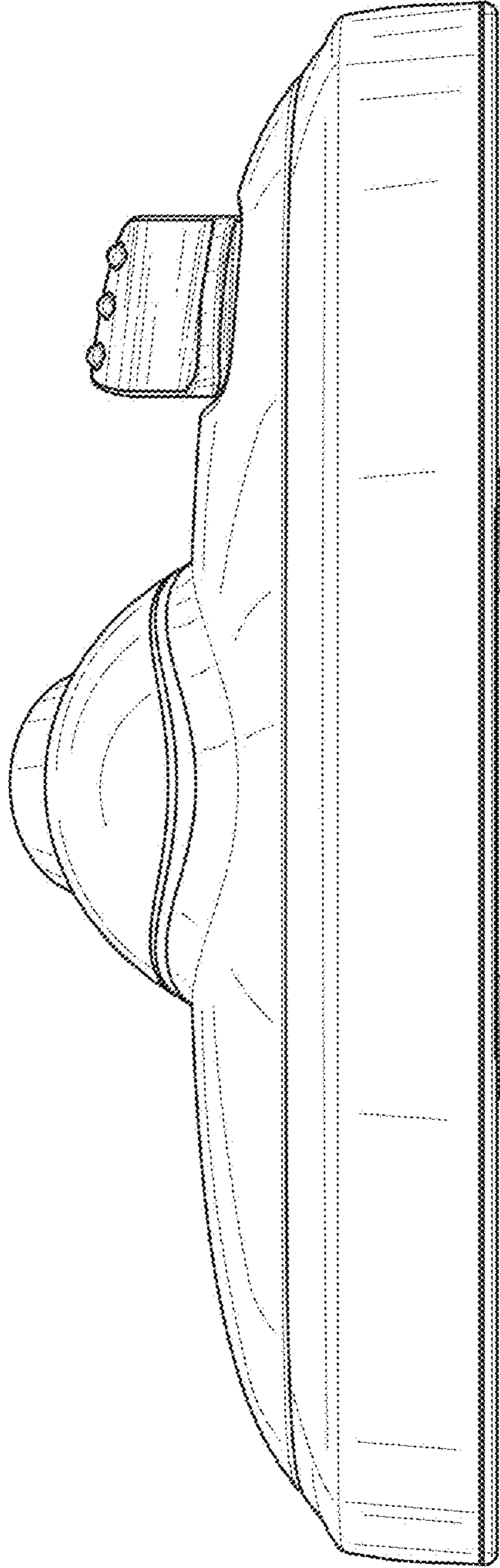


FIG. 2

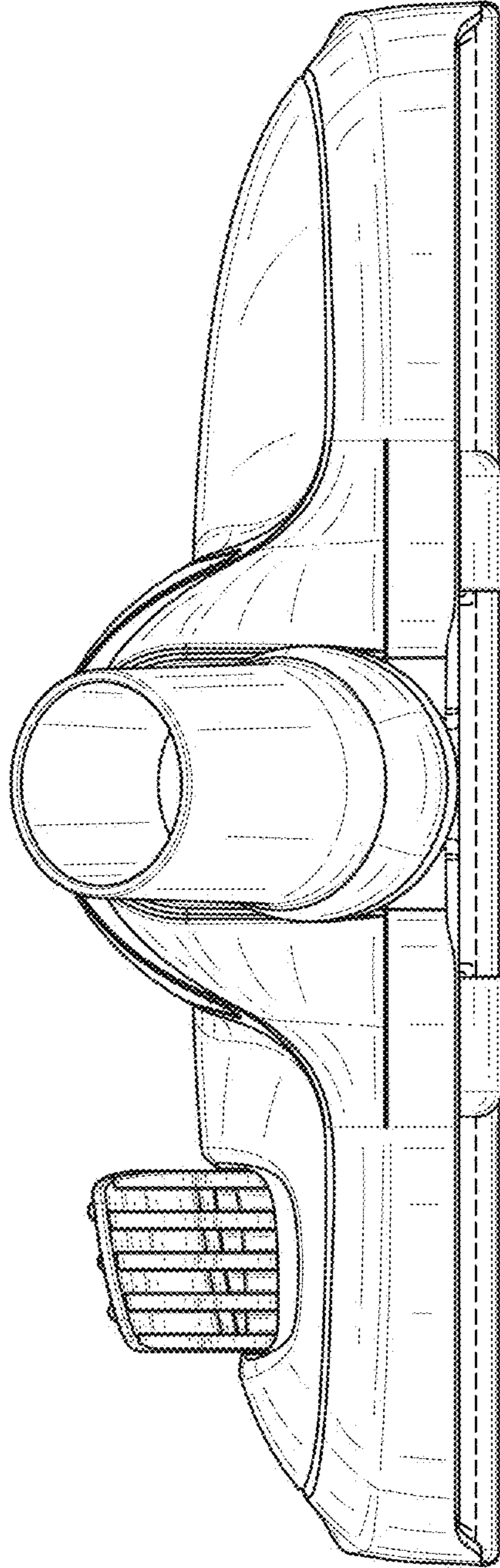


FIG. 3

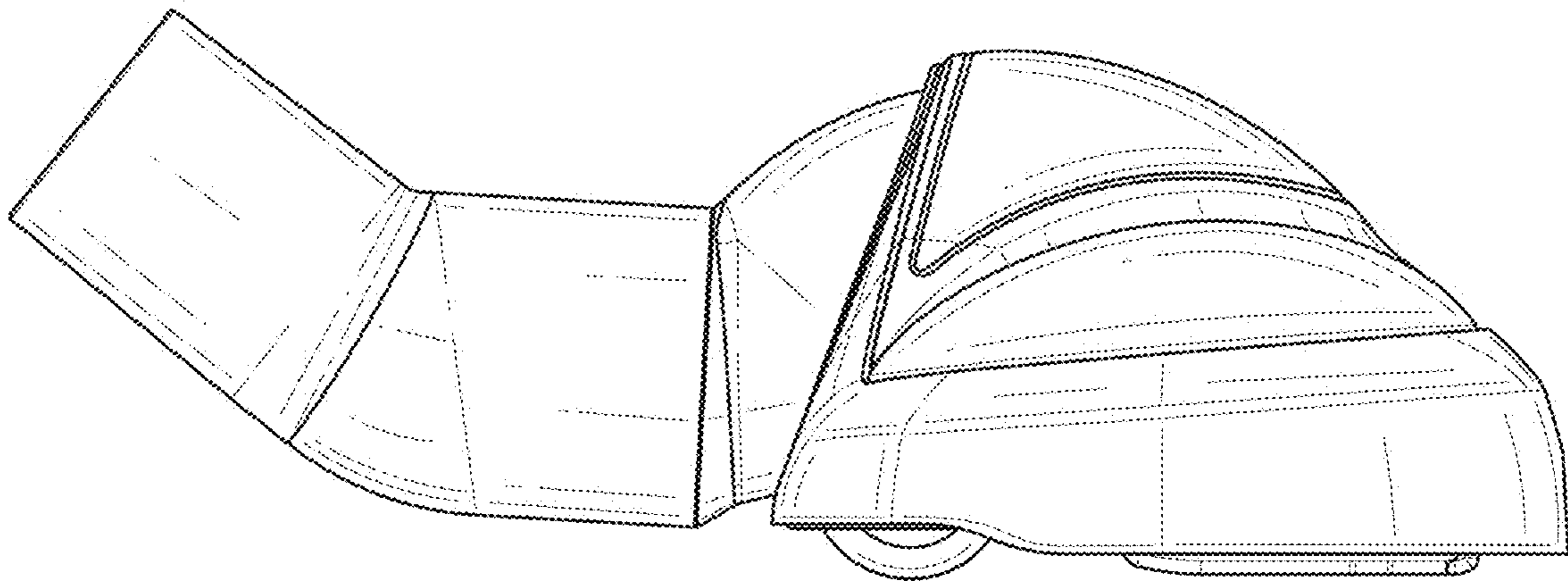


FIG. 4

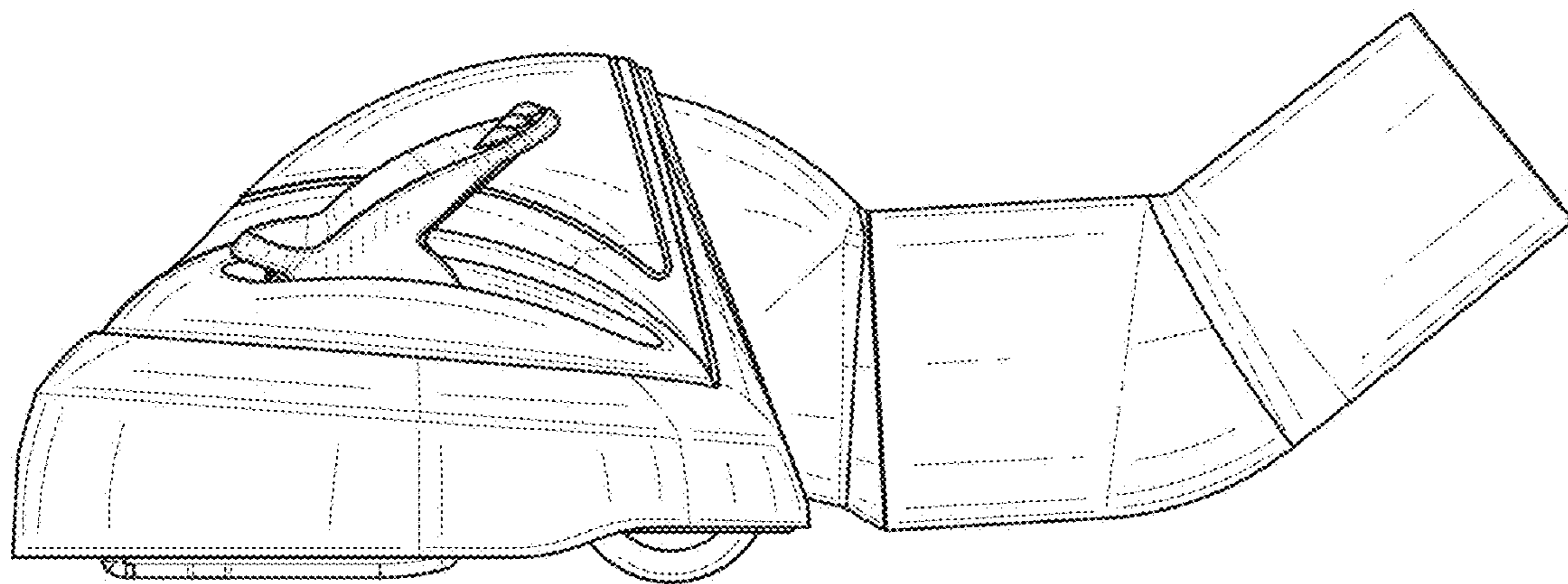


FIG. 5

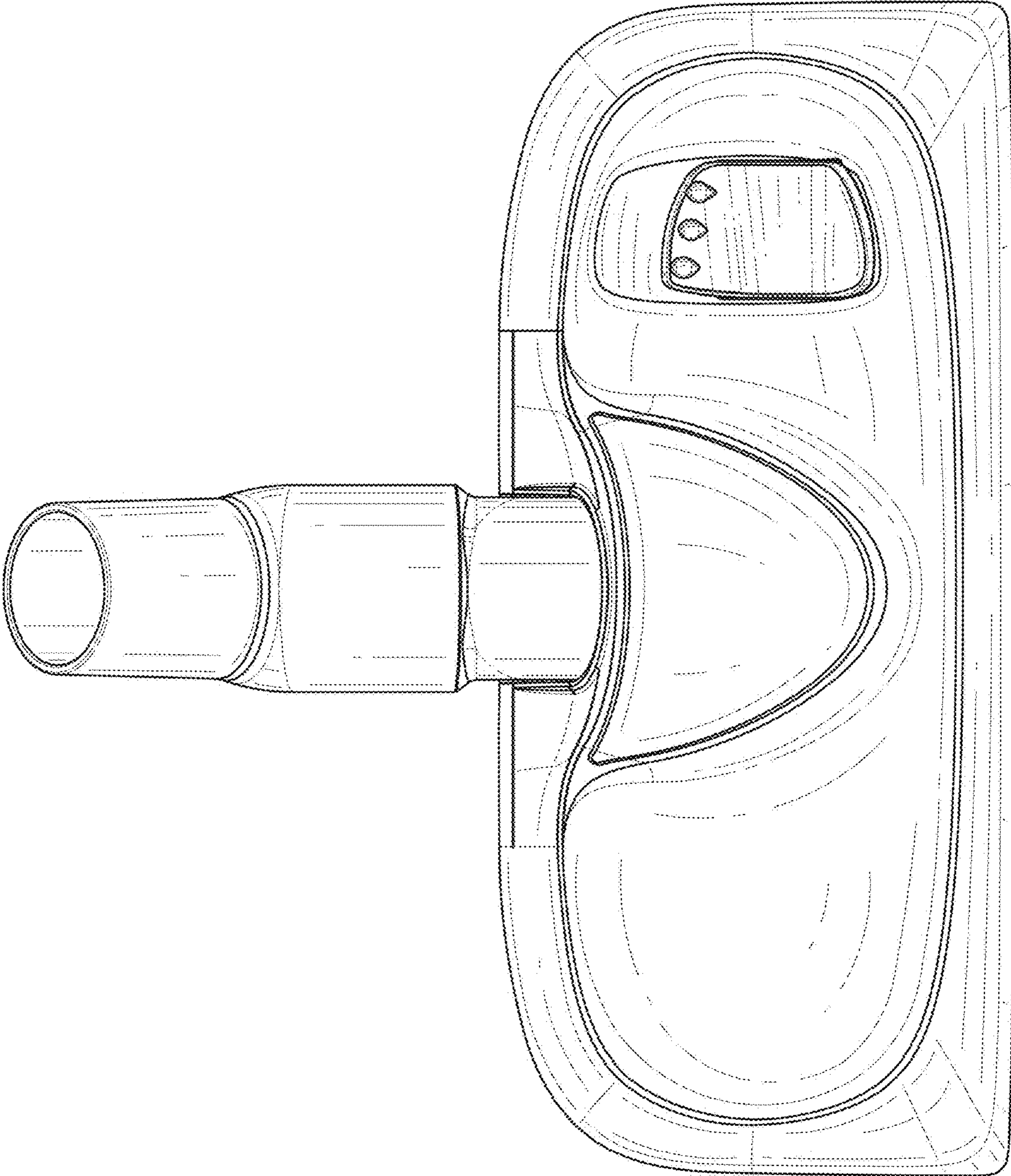


FIG. 6

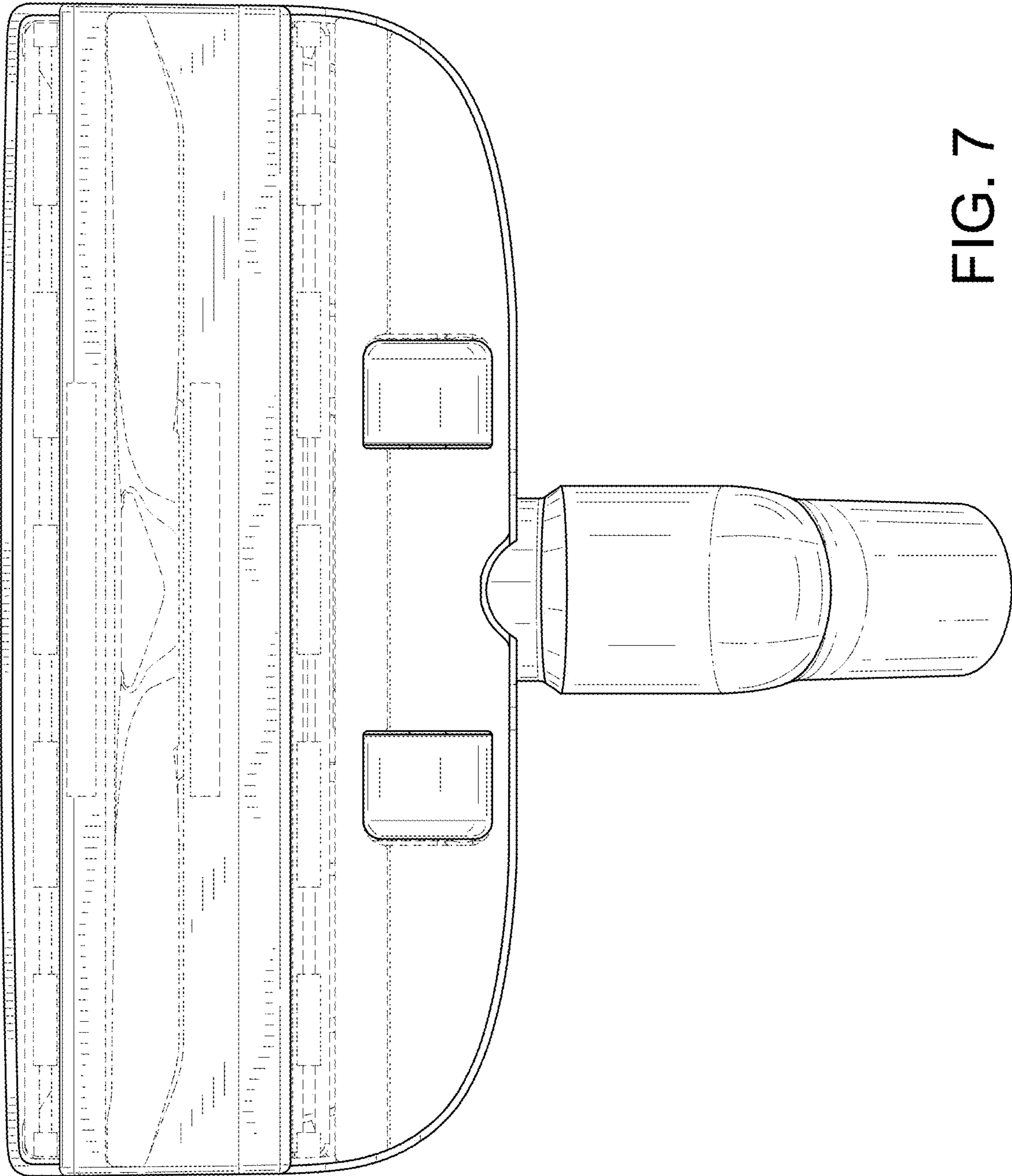


FIG. 7