



US00D900418S

(12) **United States Design Patent** (10) **Patent No.:** **US D900,418 S**
Polonsky et al. (45) **Date of Patent:** **** Oct. 27, 2020**

(54) **LAUNDRY TREATING APPLIANCE**
(71) Applicant: **WHIRLPOOL CORPORATION**,
Benton Harbor, MI (US)
(72) Inventors: **Daniel Polonsky**, Stevensville, MI
(US); **Anna C. Schelling**, Stevensville,
MI (US)
(73) Assignee: **Whirlpool Corporation**, Benton
Harbor, MI (US)

5,473,914 A 12/1995 Pyo
5,628,430 A 5/1997 Bathe
5,782,109 A 7/1998 Spriggs
6,109,480 A 8/2000 Monsrud
6,401,499 B1 6/2002 Clark
D517,262 S 3/2006 Ha et al.
D518,256 S 3/2006 Kim et al.
7,707,858 B2 5/2010 Jeon

(Continued)

(**) Term: **15 Years**

(21) Appl. No.: **29/708,461**

(22) Filed: **Oct. 7, 2019**

Related U.S. Application Data

(62) Division of application No. 29/630,487, filed on Dec. 21, 2017, now Pat. No. Des. 865,306.

(51) **LOC (12) Cl.** **15-05**

(52) **U.S. Cl.**
USPC **D32/6**

(58) **Field of Classification Search**
USPC D32/29.1, 29, 28, 6, 25, 8, 1, 5, 10;
312/288; 248/638, 673
CPC D06F 39/045; D06F 25/00; D06F 39/022;
D06F 33/02; D06F 2204/065; D06F
35/006; D06F 39/12; D06F 39/00; D06F
49/06; D06F 37/26; D06F 37/20; D06F
31/00; A47L 15/4418; F16M 9/00
See application file for complete search history.

(56) **References Cited**

U.S. PATENT DOCUMENTS

3,091,954 A 6/1963 Billings
3,699,785 A 10/1972 Waugh
3,757,543 A 9/1973 Braga
4,085,870 A 4/1978 Von Holdt
4,417,457 A 11/1983 Brenner

FOREIGN PATENT DOCUMENTS

AU 2008202222 12/2008
BR 202013015525 U2 8/2015

(Continued)

OTHER PUBLICATIONS

Whirlpool Duet posted by View Points posted date review 2014, © ViewPoints, [online], [site visted Jun. 6, 2019]. Available from Internet, <http://www.viewpoints.com/Whirlpool-Duet-High-Efficiency-Front-Load-Washer-reviews> (Year: 2014).

Primary Examiner — Cynthia Ramirez

Assistant Examiner — Laura H Yu

(74) *Attorney, Agent, or Firm* — McGarry Bair PC

(57) **CLAIM**

The ornamental design for a laundry treating appliance, as shown and described.

DESCRIPTION

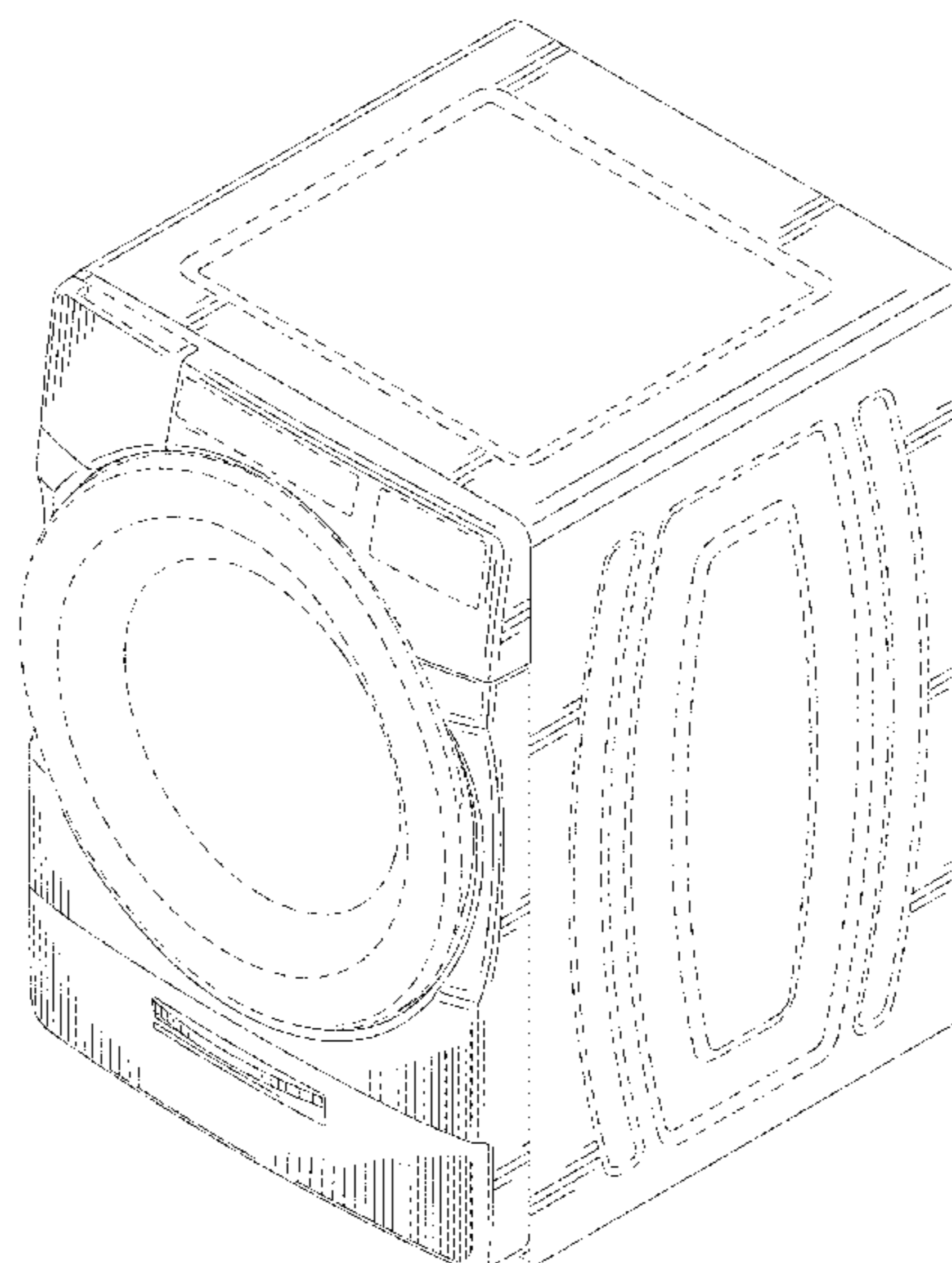
FIG. 1 is a top perspective view of a laundry treating appliance;

FIG. 2 is a front view of the laundry treating appliance of FIG. 1; and,

FIG. 3 is a left side view of the laundry treating appliance of FIG. 1.

The broken lines illustrate portions of the laundry treating appliance that form no part of the claimed design.

1 Claim, 3 Drawing Sheets



(56)

References Cited

FOREIGN PATENT DOCUMENTS

U.S. PATENT DOCUMENTS

D618,871 S 6/2010 DeSalvo et al.
 7,777,502 B2 8/2010 Grosser
 7,805,964 B2 10/2010 Park
 7,843,200 B2 11/2010 Klopfer
 8,056,374 B2 11/2011 Hoppe
 8,056,747 B2 11/2011 Vitan
 8,166,781 B2 5/2012 Lee
 8,322,169 B2 12/2012 Kendall
 D673,742 S 1/2013 Eng
 8,368,805 B2 2/2013 Kim
 D688,429 S 8/2013 Meda et al.
 8,555,678 B2 10/2013 Lee et al.
 8,584,492 B2 11/2013 Seo
 8,931,310 B2 1/2015 Risen
 8,931,667 B2 1/2015 Smith
 D729,997 S 5/2015 Hwang et al.
 D730,601 S 5/2015 Jinnam et al.
 9,133,576 B2 9/2015 Lee
 9,217,218 B2 12/2015 Kim
 D758,681 S 6/2016 Park et al.
 D773,132 S 11/2016 Ha
 D773,133 S 11/2016 Ha
 9,487,904 B2 11/2016 Kim
 9,506,183 B2 11/2016 Del Pos
 9,615,468 B2 4/2017 Moncrieff
 9,663,886 B2 5/2017 Mackay
 D816,924 S * 5/2018 Bixby D32/6
 D817,570 S 5/2018 Kim et al.
 D826,490 S * 8/2018 Beaudreault D32/6
 D835,368 S * 12/2018 Ha D32/6
 D836,860 S 12/2018 Ha et al.
 D858,915 S * 9/2019 Beaudreault D32/6
 D865,306 S * 10/2019 Polonsky D32/25
 D874,764 S * 2/2020 Liu D32/28
 D877,431 S * 3/2020 Schelling D32/28
 D878,688 S * 3/2020 Beaudreault D32/6
 2006/0053842 A1 3/2006 Je
 2008/0028802 A1 2/2008 Jordan
 2009/0126123 A1 5/2009 Kim
 2009/0288453 A1 11/2009 Lee
 2010/0115709 A1 5/2010 Kim
 2011/0030428 A1 2/2011 Han
 2011/0174021 A1 7/2011 Lee
 2012/0017381 A1 1/2012 Hong
 2012/0144872 A1 6/2012 Kappler
 2012/0174632 A1 7/2012 Sung
 2013/0047680 A1 2/2013 Han
 2013/0219972 A1 8/2013 Mora
 2013/0277353 A1 10/2013 Joseph
 2014/0041418 A1 2/2014 Lee et al.
 2014/0076008 A1 3/2014 Jo
 2014/0076009 A1 3/2014 Kim
 2015/0059418 A1 3/2015 Lee
 2015/0252513 A1 9/2015 Seo
 2015/0252514 A1 9/2015 Seo
 2015/0354126 A1 12/2015 Lee
 2016/0010267 A1 1/2016 Kim
 2016/0017531 A1 1/2016 Jo
 2016/0017532 A1 1/2016 Jo
 2016/0069012 A1 3/2016 Kim
 2016/0186370 A1 6/2016 Kim
 2016/0237613 A1 8/2016 Lee
 2016/0355969 A1 12/2016 Kim
 2017/0121890 A1 5/2017 Kwon

CN 1746413 B 10/2010
 CN 101298733 B 10/2010
 CN 204509793 U 7/2015
 CN 102345223 B 11/2015
 CN 204939890 U 1/2016
 CN 105671877 A 6/2016
 CN 105803733 A 7/2016
 DE 2424393 A1 12/1975
 DE 8033429 U1 5/1982
 DE 3242382 A1 5/1984
 DE 3246127 A1 6/1984
 DE 3247529 A1 6/1984
 DE 102008041439 A1 2/2010
 DE 102013102733 A1 9/2014
 DE 202013012060 U1 3/2015
 DE 202013012059 U1 4/2015
 EP 0077463 A2 4/1983
 EP 0096260 A1 12/1983
 EP 0268451 A2 5/1988
 EP 0379950 B1 8/1992
 EP 0597513 A1 5/1994
 EP 2251480 A1 11/2010
 EP 2304091 A1 4/2011
 EP 2405052 A1 1/2012
 EP 2708633 A1 3/2014
 EP 2708634 A1 3/2014
 EP 2708635 A1 3/2014
 EP 2719816 A1 4/2014
 EP 2743393 A1 6/2014
 EP 2784205 A1 10/2014
 EP 2479335 B1 12/2014
 EP 2857569 A1 4/2015
 EP 2873764 A1 5/2015
 EP 2894249 A1 7/2015
 EP 2905369 A1 8/2015
 EP 2994565 A1 3/2016
 EP 1884584 B1 4/2016
 EP 3056599 A1 8/2016
 EP 3164537 A1 5/2017
 FR 2244859 A1 4/1975
 FR 2646674 A3 11/1990
 GB 2134612 A1 8/1984
 GB 2147613 A1 5/1985
 GB 2214524 A1 9/1989
 JP 63043698 A2 2/1988
 JP 7227495 A2 8/1995
 JP 10033888 A2 2/1998
 JP 1553160 S 7/2016
 JP 1553162 S 7/2016
 KR 100556791 B1 3/2006
 KR 20080092197 A 10/2008
 KR 100873681 B1 12/2008
 KR 20100066909 A 6/2010
 KR 101481508 B1 1/2015
 KR 101481520 B1 1/2015
 KR 101482109 B1 1/2015
 KR 20150025084 A 3/2015
 KR 101590012 B1 2/2016
 WO 15133796 A1 9/2015
 WO 15133798 A1 9/2015
 WO 15133799 A1 9/2015
 WO 15167073 A1 11/2015
 WO 16088912 A1 6/2016

* cited by examiner

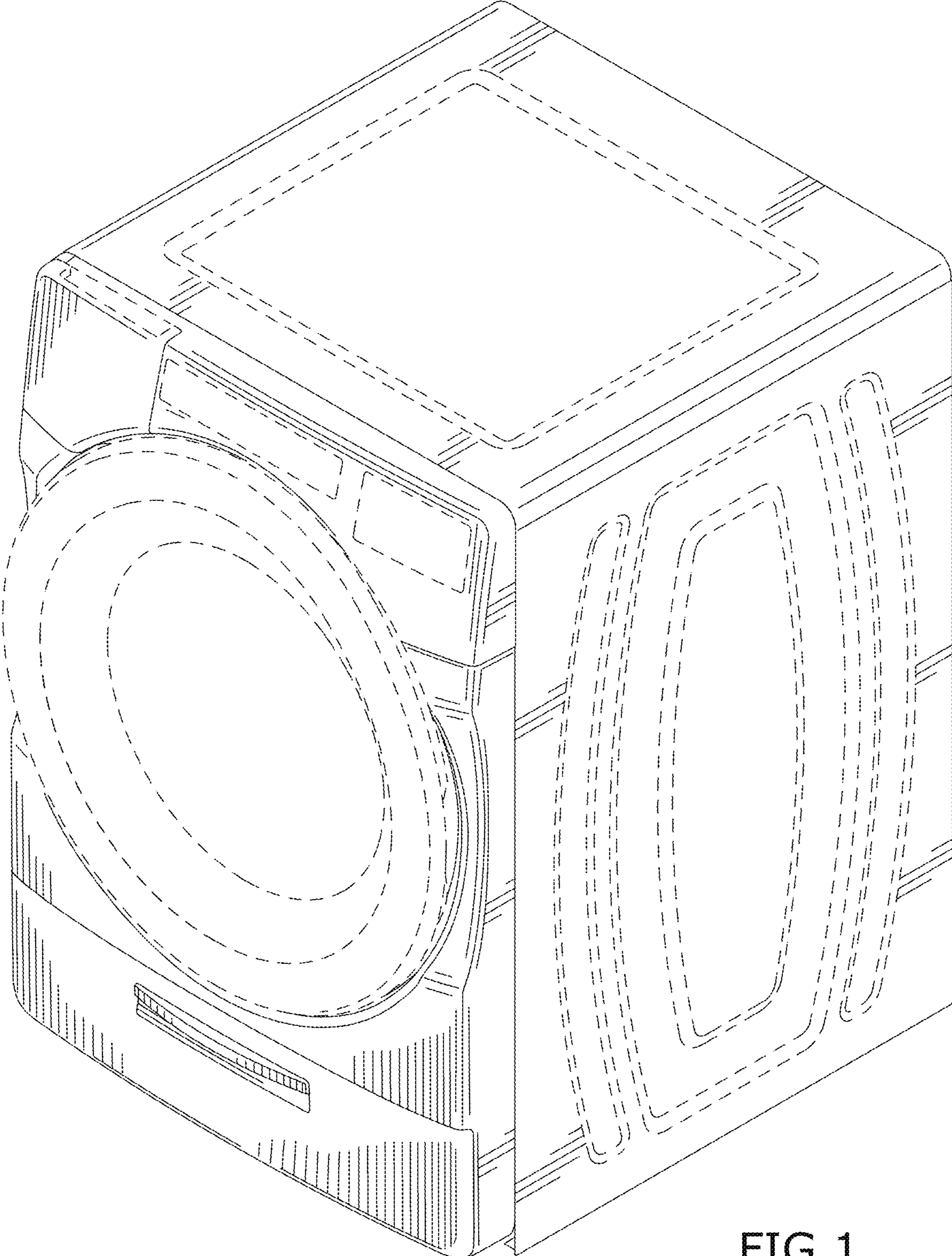


FIG. 1

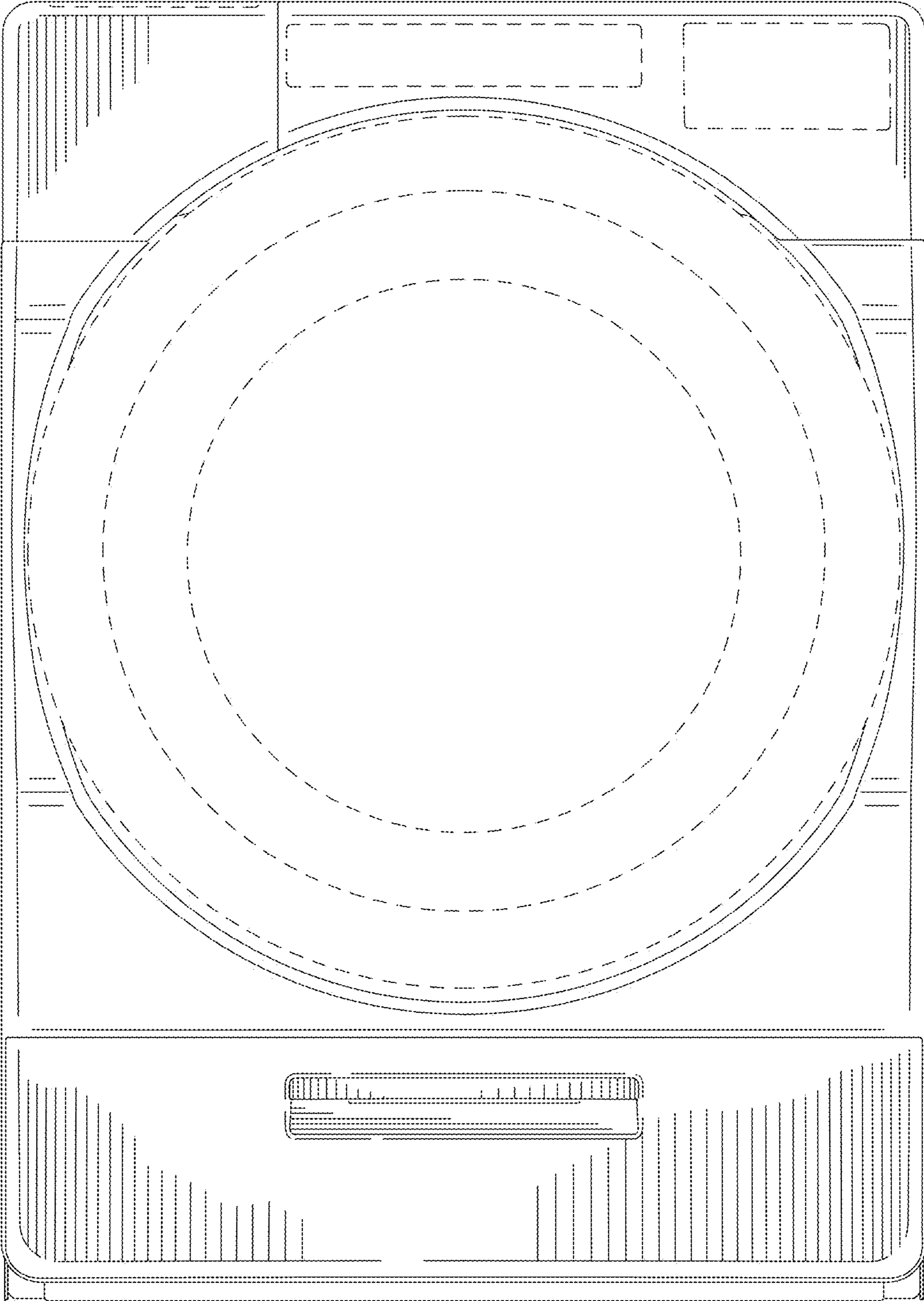


FIG. 2

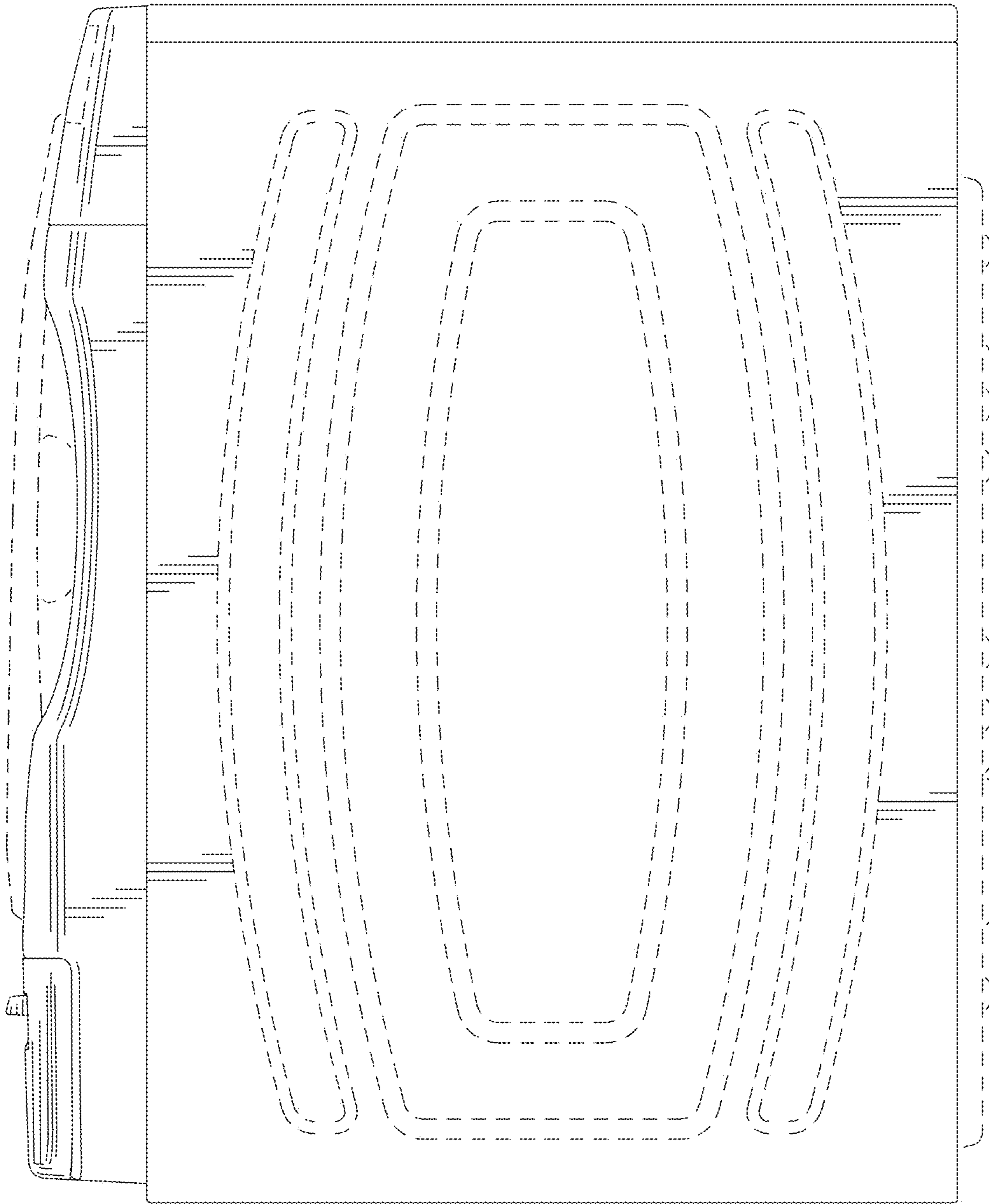


FIG. 3