



US00D900416S

(12) **United States Design Patent** (10) **Patent No.:** **US D900,416 S**
Yao (45) **Date of Patent:** **** Oct. 27, 2020**

(54) **ULTRASONIC CLEANER** 5,658,316 A * 8/1997 Lamond A61N 1/39
607/142

(71) Applicant: **SHENZHEN CODYSON** D453,624 S * 2/2002 Itzkovitch D3/276
ELECTRICAL CO., LTD, Shenzhen, D533,940 S * 12/2006 Hayamizu D24/107
Guangdong Province (CN) D593,262 S * 5/2009 Gong D24/217
D609,913 S * 2/2010 Landau D3/291
D631,620 S * 1/2011 Choi D32/1
D633,260 S * 2/2011 Choi D32/1
D633,663 S * 3/2011 Choi D32/1
D634,982 S * 3/2011 Melchert D7/605
D648,533 S * 11/2011 Sosnovsky D3/283
D658,376 S * 5/2012 Ahlstrom D3/294
D685,540 S * 7/2013 Yao D32/1
D748,872 S * 2/2016 Yao D32/1
D778,004 S * 1/2017 Yao D32/1
D778,005 S * 1/2017 Yao D32/1

(72) Inventor: **Xingyuan Yao**, Shenzhen (CN)

(73) Assignee: **SHENZHEN CODYSON**
ELECTRICAL CO., LTD, Shenzhen,
Guangdong Province (CN)

(**) Term: **15 Years**

(21) Appl. No.: **29/713,413** 2009/0308416 A1 * 12/2009 Utz B08B 3/12
134/115 R

(Continued)

(22) Filed: **Nov. 15, 2019**

(51) **LOC (12) Cl.** **15-05**

(52) **U.S. Cl.**
USPC **D32/1**

(58) **Field of Classification Search**
USPC D32/1, 15, 16, 25; D7/605, 619.1;
D3/218, 272, 273, 276, 294, 321, 279-81,
D3/905; D24/185-187, 217; D13/169,
D13/131, 162, 174, 176
CPC ... A47L 15/0086; A47L 15/0076; A47L 15/13
See application file for complete search history.

Primary Examiner — Michelle E. Wilson
(74) Attorney, Agent, or Firm — Li & Cai Intellectual
Property (USA) Office

(57) **CLAIM**

The ornamental design for an ultrasonic cleaner, as shown and described.

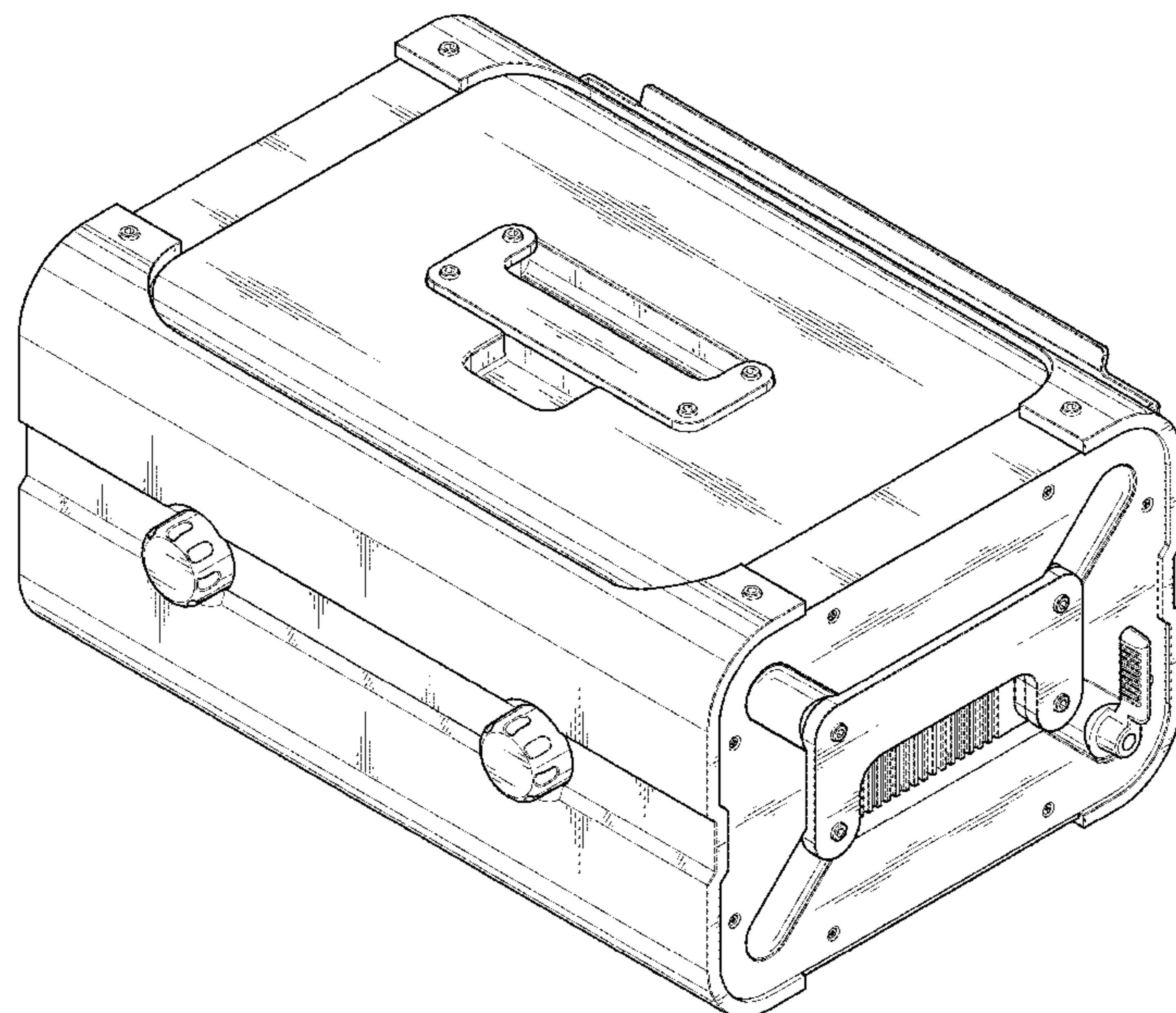
DESCRIPTION

FIG. 1 is a front, top and right perspective view of an ultrasonic cleaner showing my new design;
FIG. 2 is a front elevational view thereof;
FIG. 3 is a rear elevational view thereof;
FIG. 4 is a left side elevational view thereof;
FIG. 5 is a right side elevational view thereof;
FIG. 6 is a top plan view thereof; and,
FIG. 7 is a bottom plan view thereof.
The broken lines depict portions of the ultrasonic cleaner in which the design is embodied that forms no part of the claimed design.

(56) **References Cited**
U.S. PATENT DOCUMENTS

D248,090 S * 6/1978 Box D7/603
D266,183 S * 9/1982 Snow D22/136
D269,810 S * 7/1983 Mace D24/186
D335,960 S * 6/1993 Kahl D3/276
5,219,446 A * 6/1993 Klepac B25H 3/02
362/154
D341,450 S * 11/1993 Tinius D32/15
D351,318 S * 10/1994 Wedi D7/605
D354,292 S * 1/1995 Monti D15/80
D372,843 S * 8/1996 Trent D6/336

1 Claim, 7 Drawing Sheets



(56)

References Cited

U.S. PATENT DOCUMENTS

2010/0012538 A1* 1/2010 Brunner B25H 3/02
206/373
2012/0012493 A1* 1/2012 Cleveland B65D 21/0223
206/508
2017/0036251 A1* 2/2017 Sato B08B 3/12

* cited by examiner

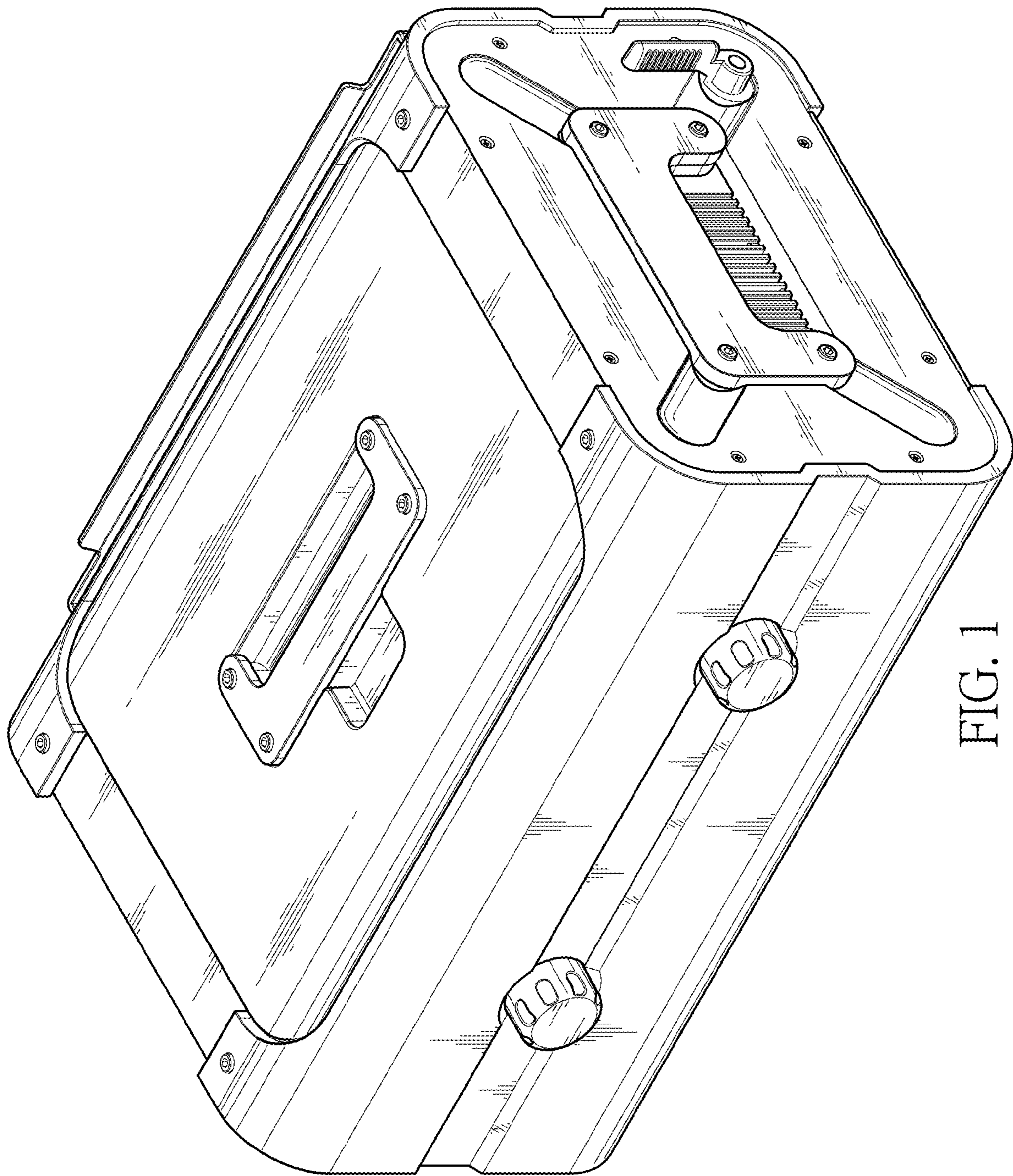


FIG. 1

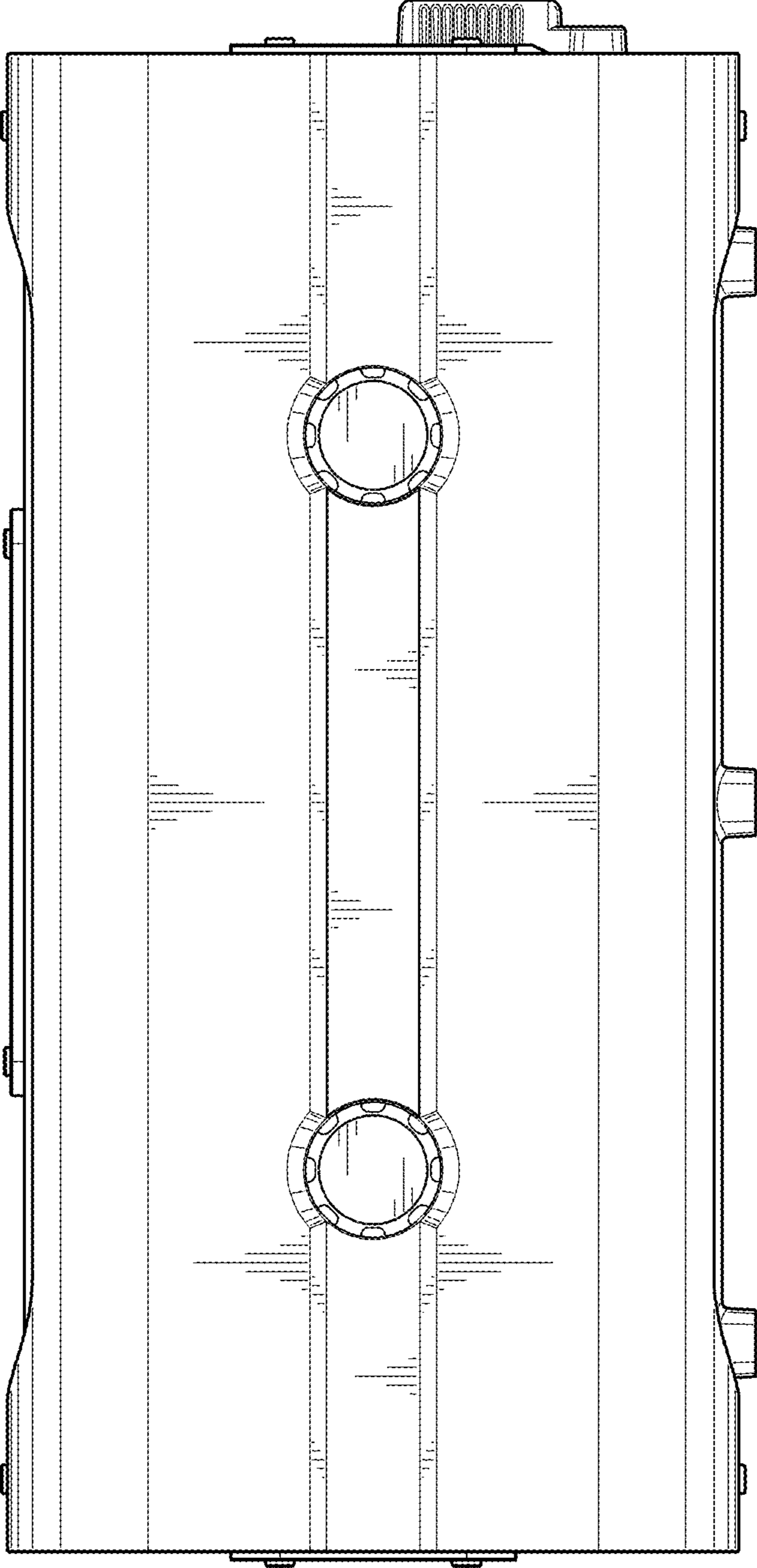


FIG. 2

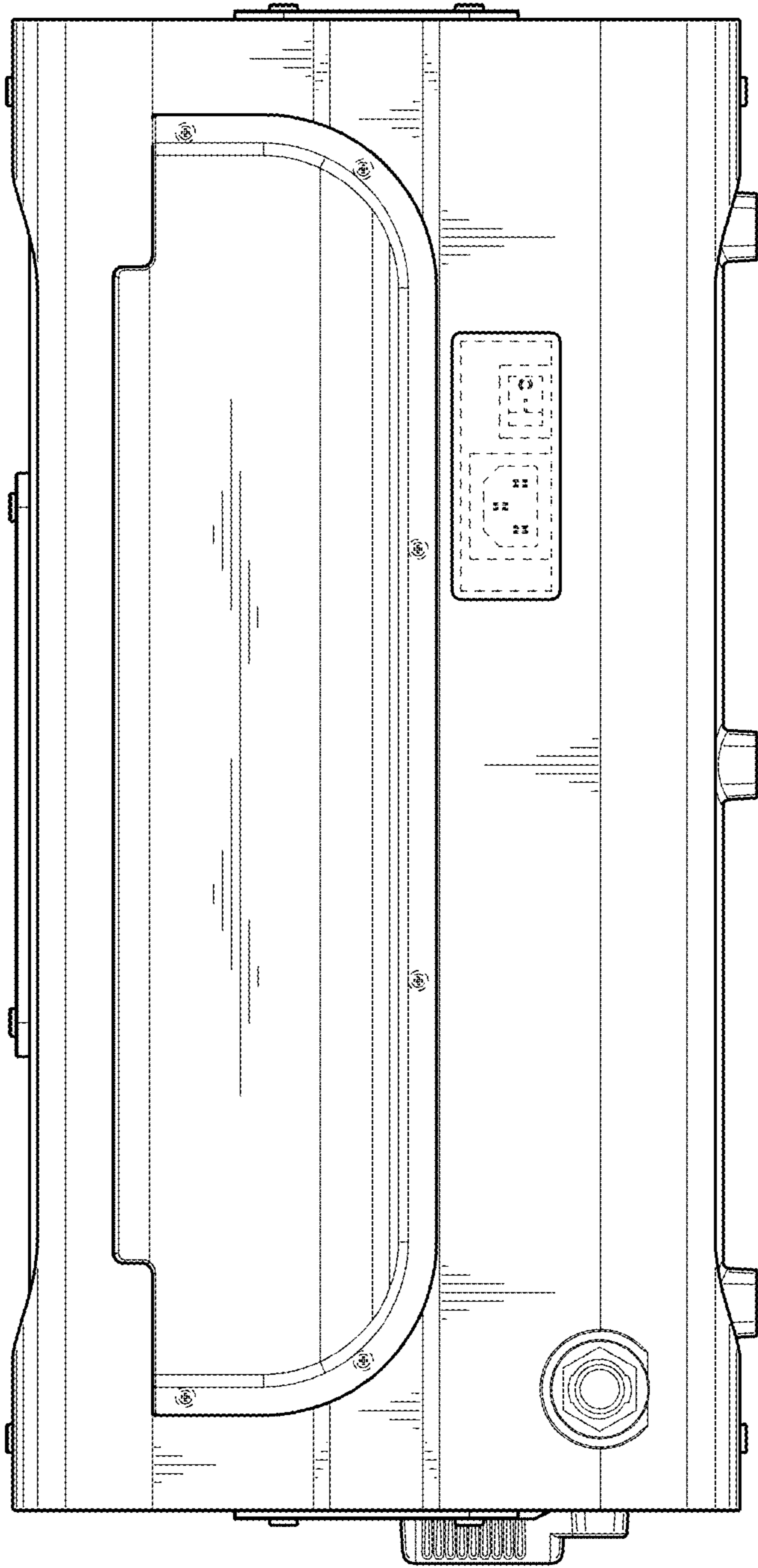


FIG. 3

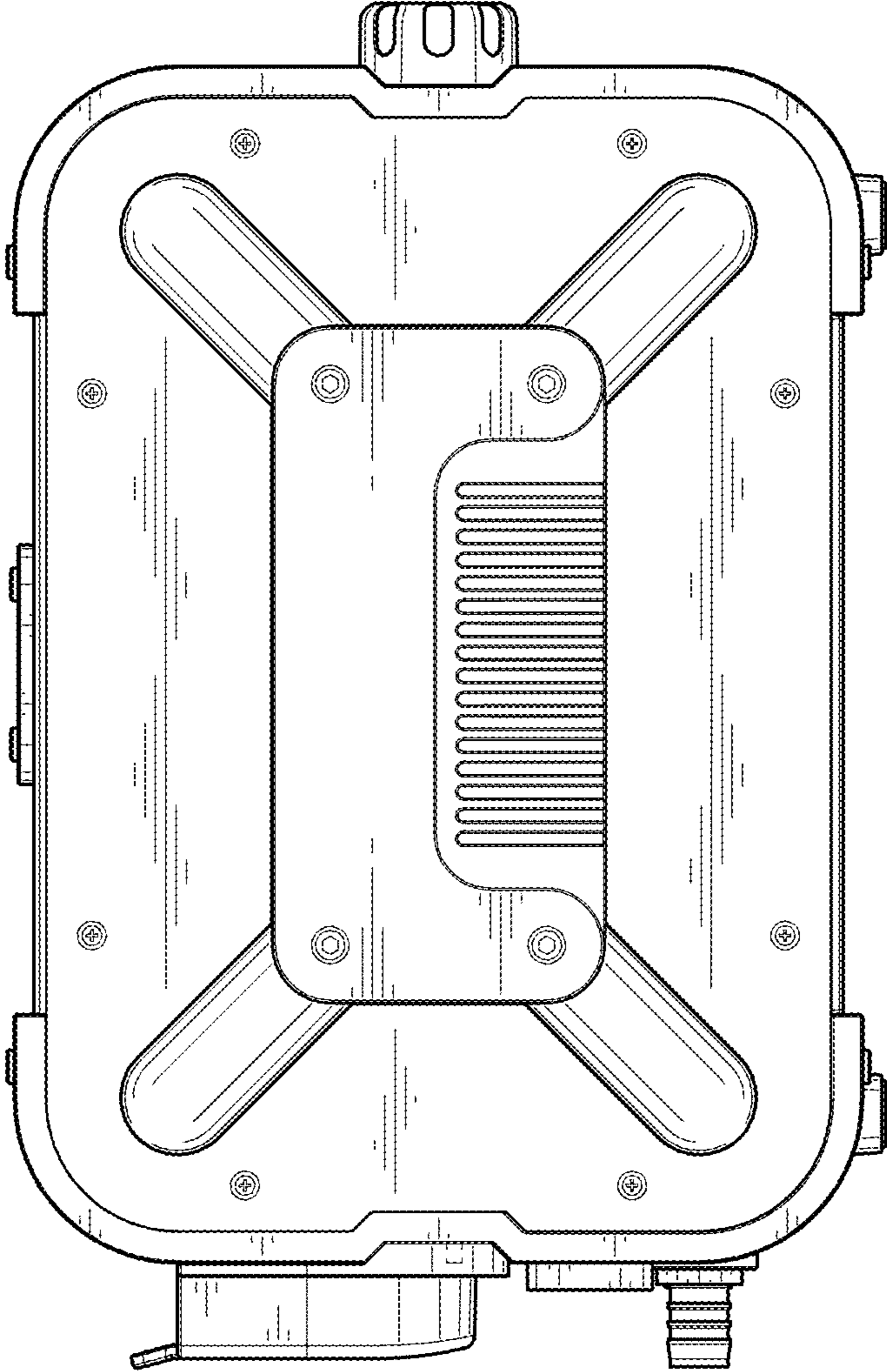


FIG. 4

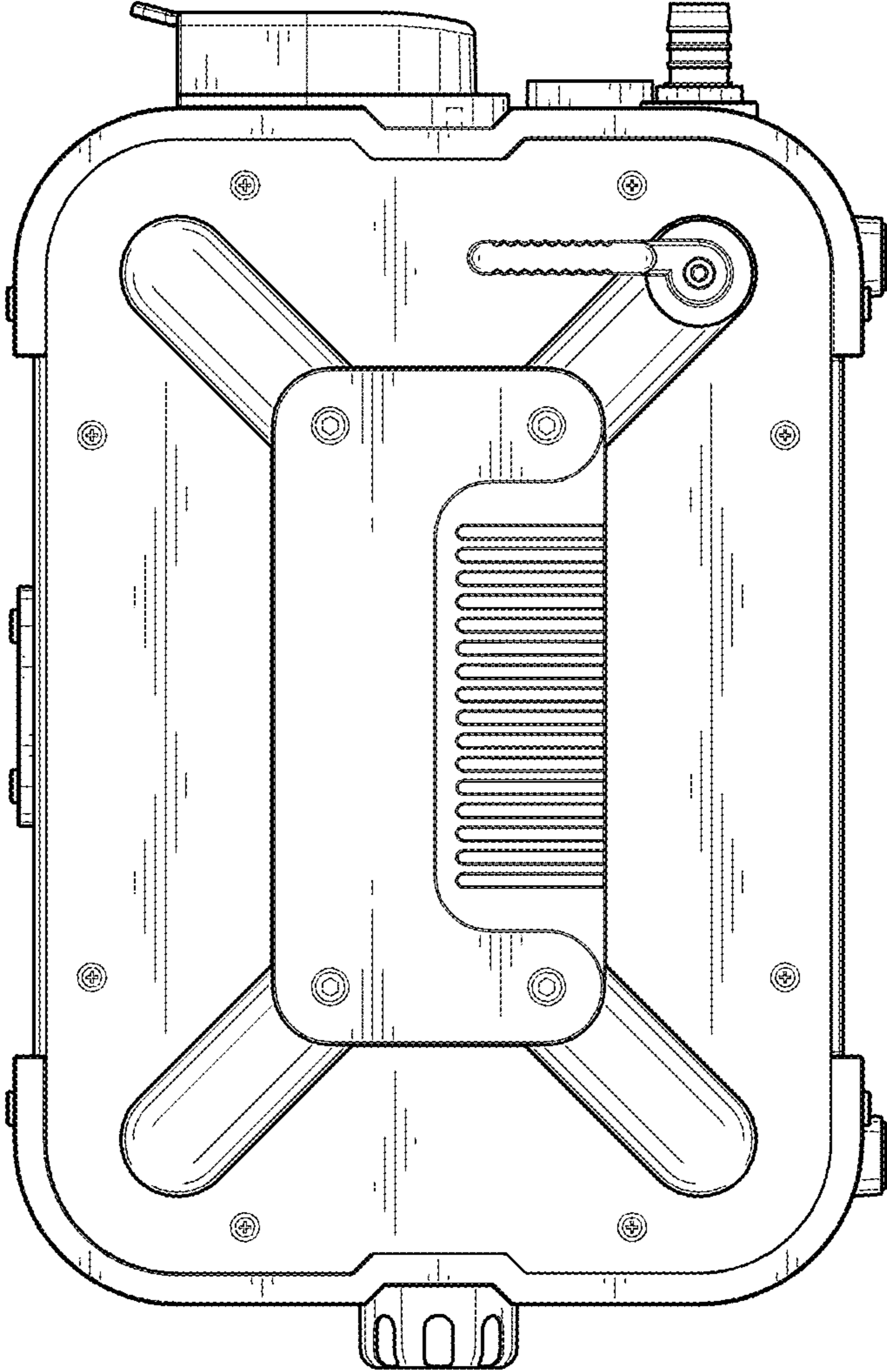


FIG. 5

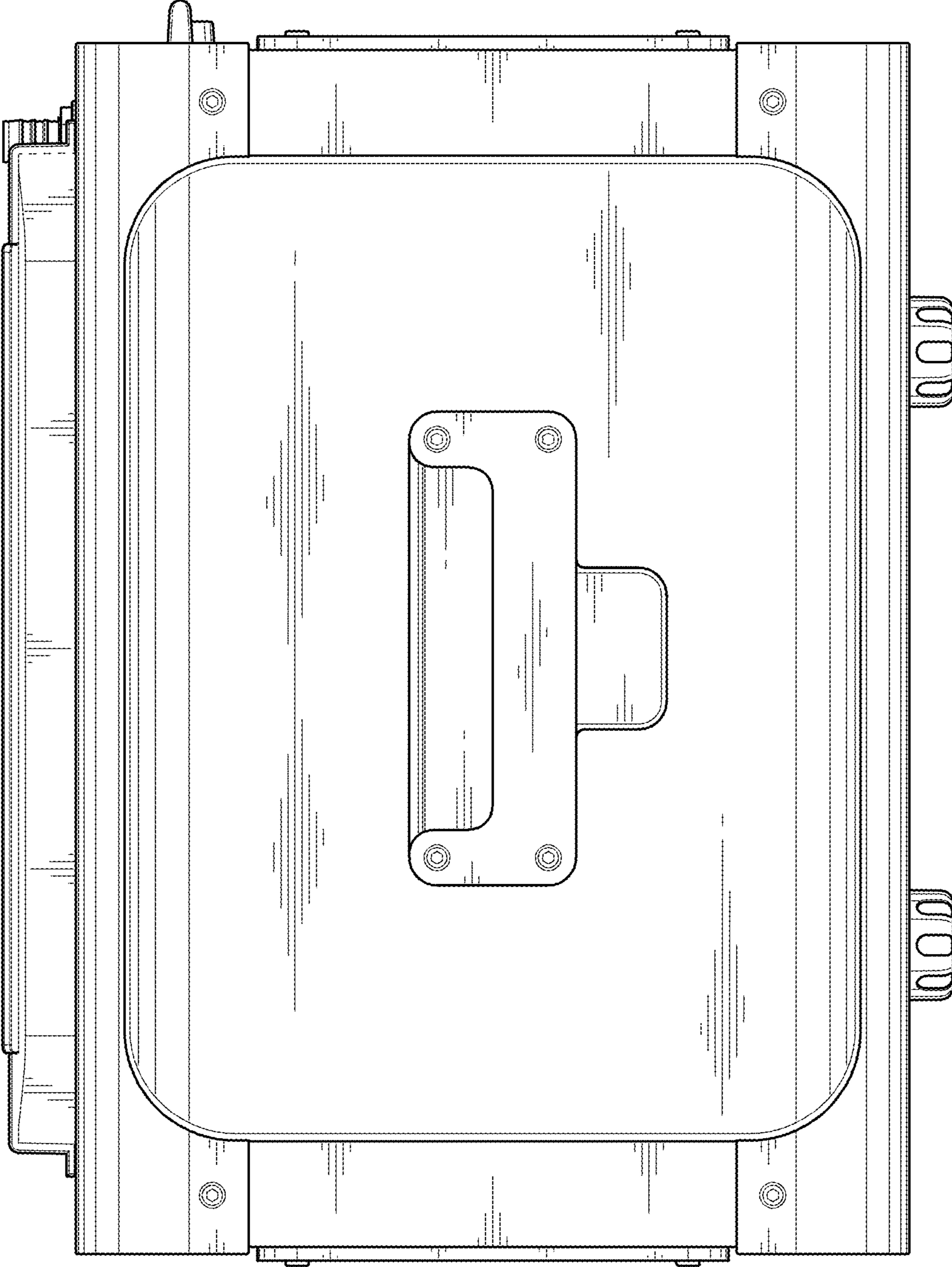


FIG. 6

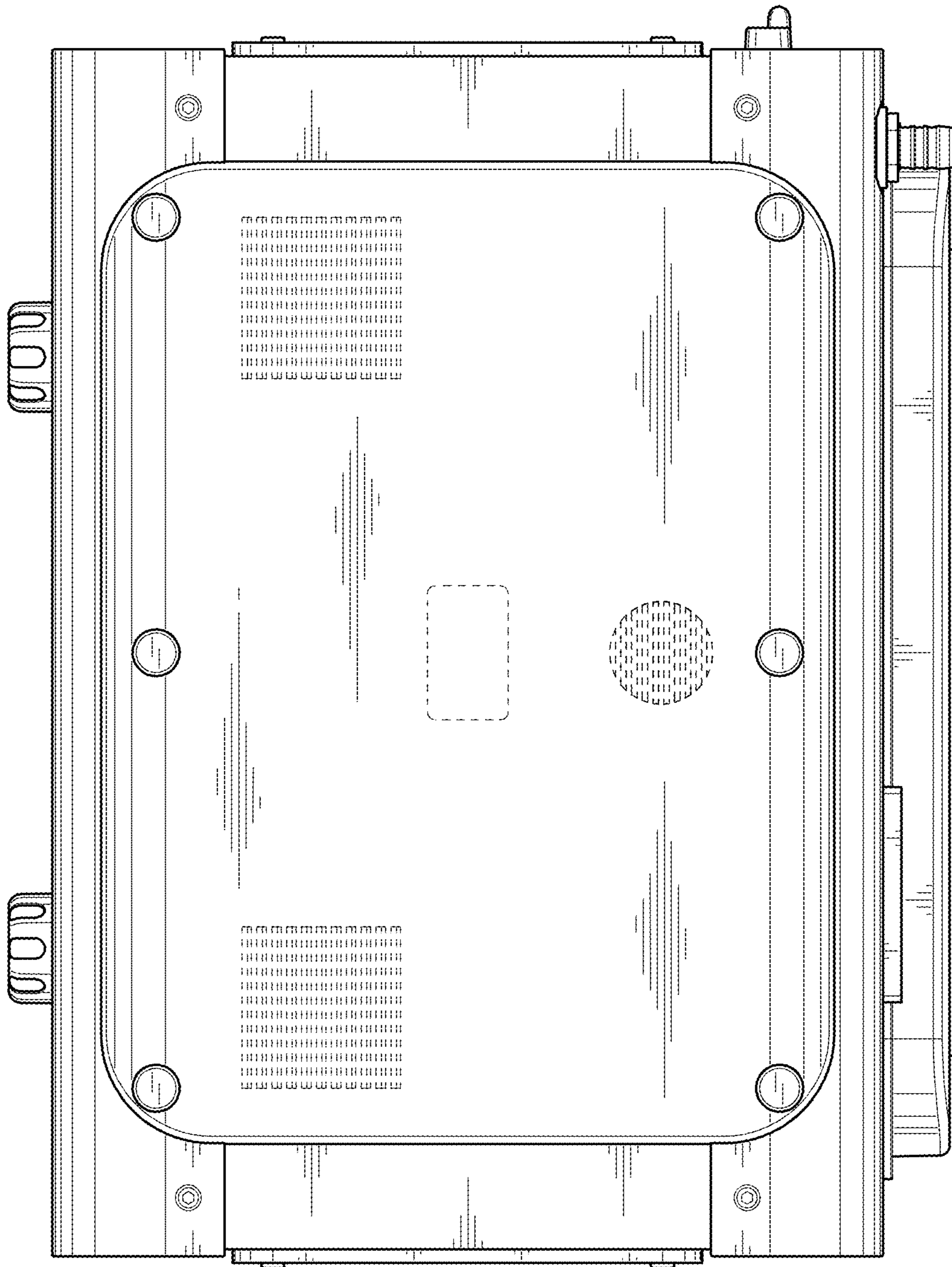


FIG. 7